



US00D334051S

United States Patent [19]

[11] Patent Number: **Des. 334,051**

Fell, Sr.

[45] Date of Patent: **** Mar. 16, 1993**

[54] **CLOSET FLANGE**

[76] Inventor: **Donnie R. Fell, Sr.**, 3500 Tates Creek Rd., Lexington, Ky. 40517

[**] Term: **14 Years**

[21] Appl. No.: **631,076**

[22] Filed: **Dec. 19, 1990**

[52] U.S. Cl. **D23/262**

[58] Field of Search **D23/259-269;**
4/252.1, 252.4, 252.5; 138/90; 285/56-60

[56] **References Cited**

U.S. PATENT DOCUMENTS

D. 29,291	8/1898	Rice	D23/265
D. 314,422	2/1991	Adorjan	D23/262
1,648,665	11/1927	Swanson et al.	285/56
3,319,268	5/1967	Blumenkranz	4/252.4
3,501,172	3/1970	Pickard	285/59
3,905,052	9/1975	DeAngelis	285/58 X
4,406,480	9/1983	Izzi	285/58 X
4,470,162	9/1984	Marshall	4/252.4
4,502,166	3/1985	Brown, Sr.	285/56 X
4,827,539	5/1989	Kiziah	285/303 X
4,850,063	7/1989	Abbate	285/60 X

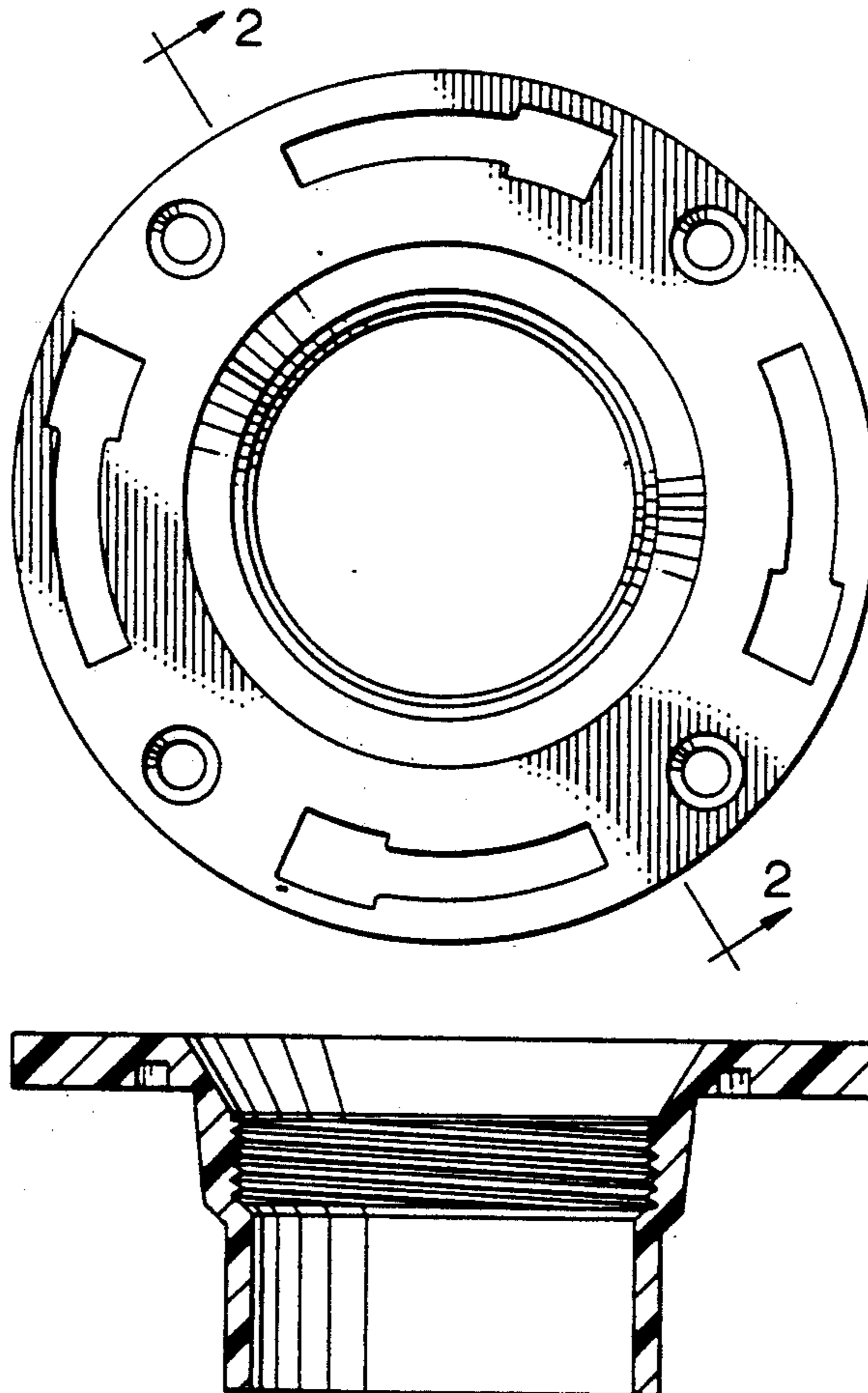
Primary Examiner—James R. Largen
Attorney, Agent, or Firm—Frost & Jacobs

[57] **CLAIM**

The ornamental design for a closet flange, as shown and described.

DESCRIPTION

FIG. 1 is a top plan view of a closet flange showing my new design;
 FIG. 2 is a cross sectional view taken on line 2—2 of FIG. 1;
 FIG. 3 is a bottom plan view thereof;
 FIG. 4 is a side elevational view thereof, the other sides being the same as the side shown;
 FIG. 5 is a top plan view of a second embodiment thereof;
 FIG. 6 is a cross sectional view taken on line 6—6 of FIG. 5;
 FIG. 7 is a bottom plan view of FIG. 5;
 FIG. 8 is an elevational view taken from one side of FIG. 5, the opposite side being the same as the side shown; and,
 FIG. 9 is an elevational view taken 90 degrees from the side shown in FIG. 8, the opposite side being the same as the side shown.



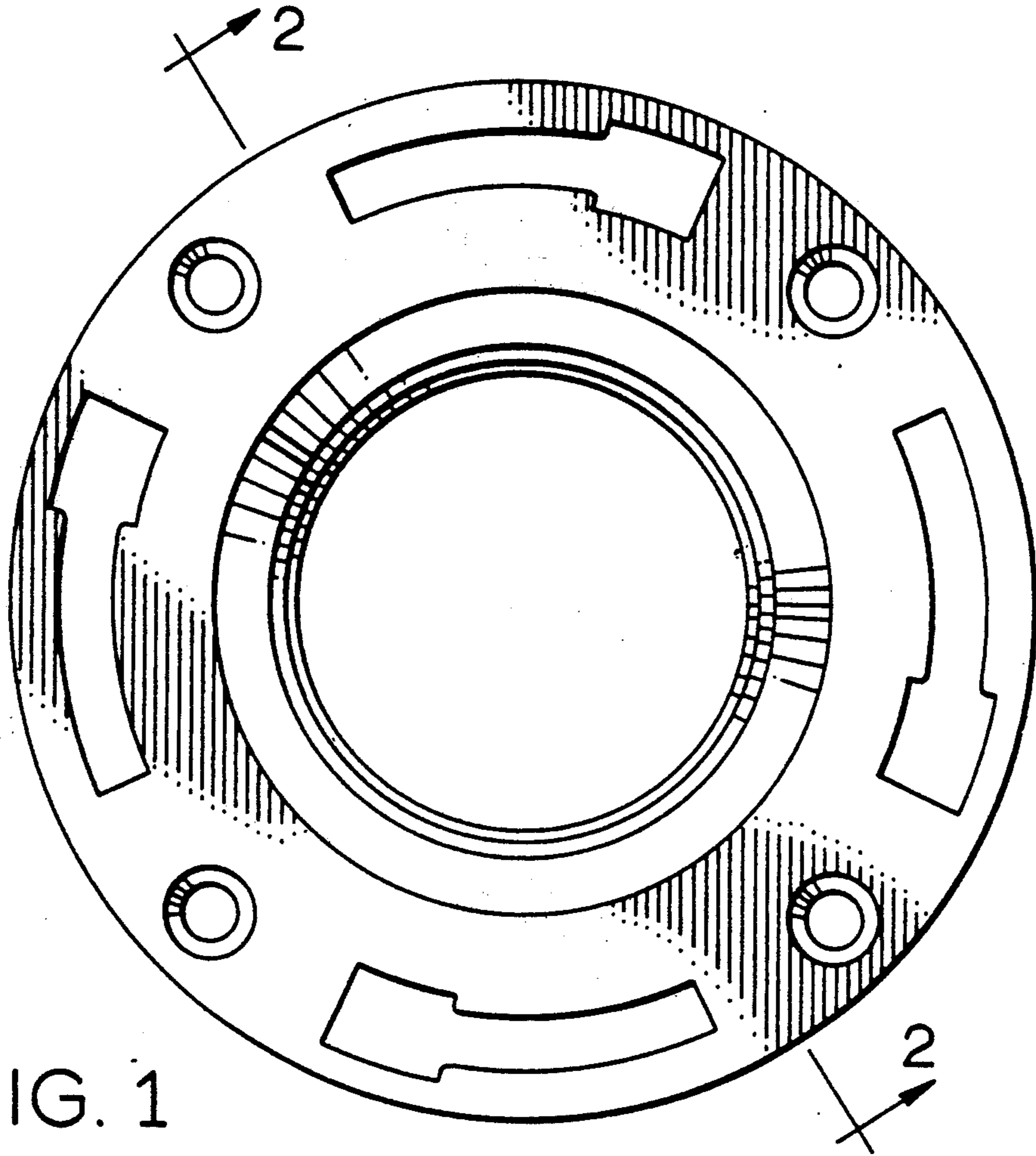


FIG. 1

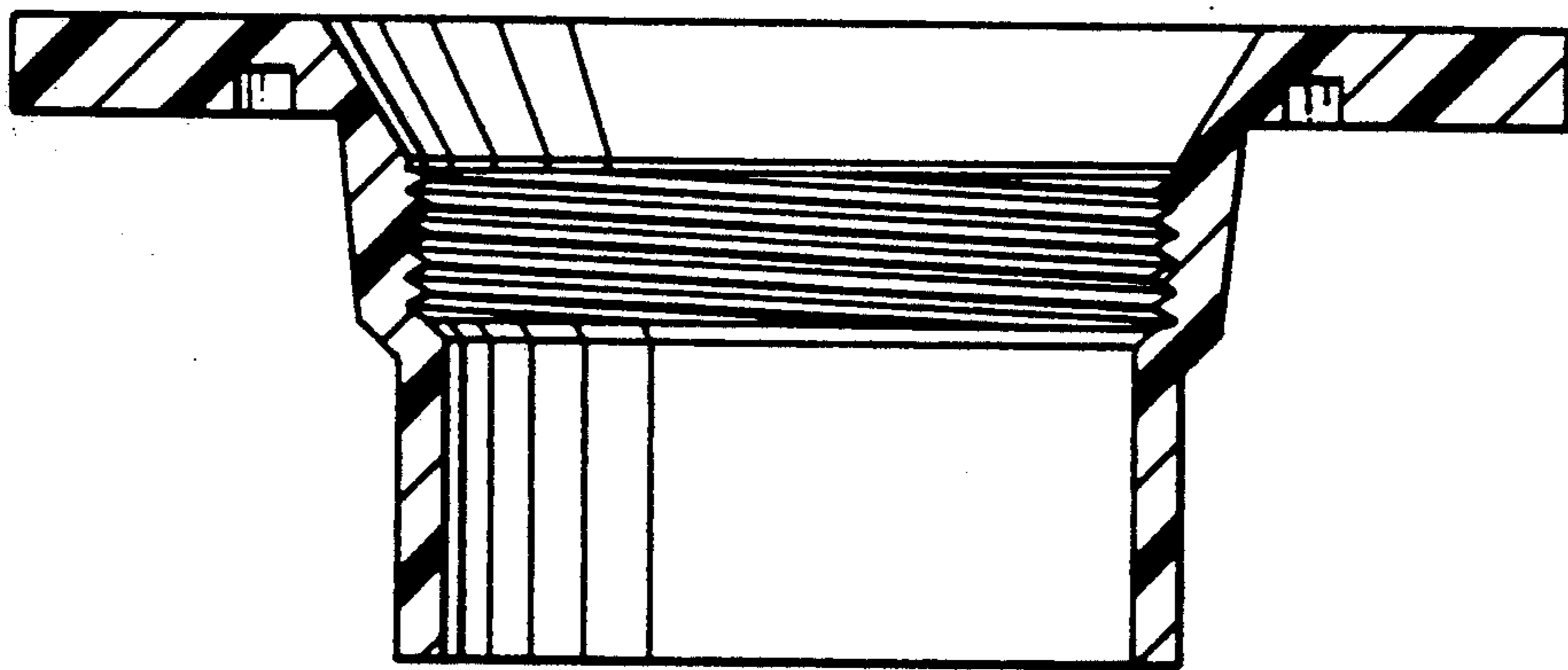


FIG. 2

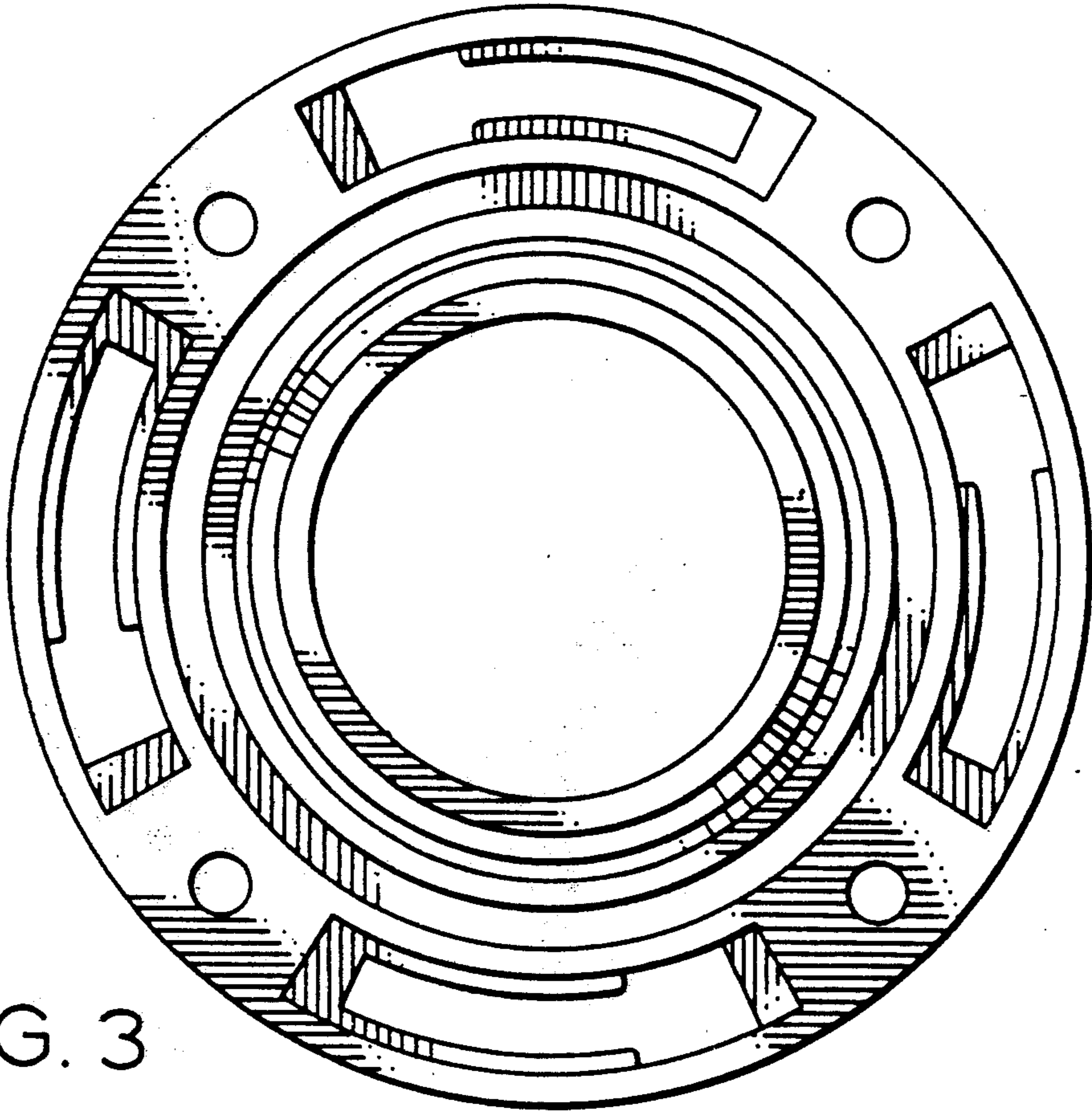


FIG. 3

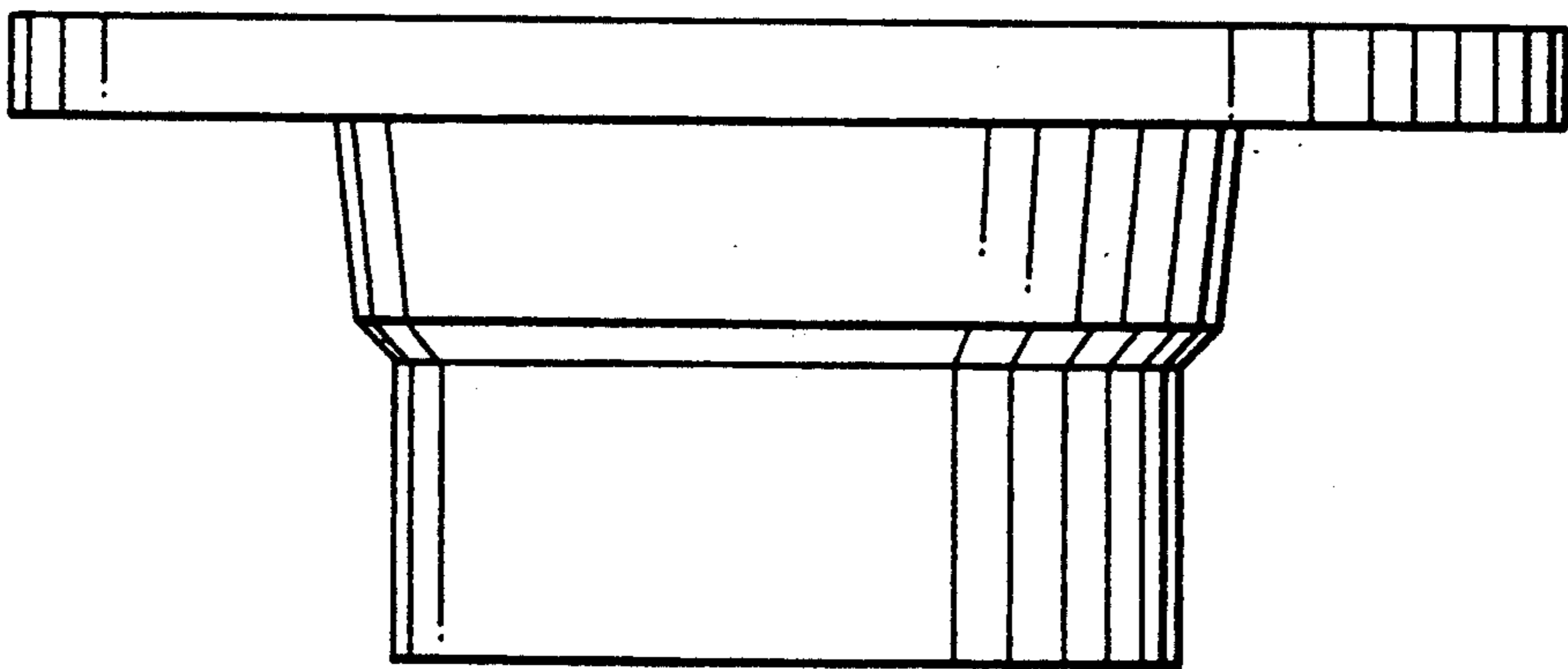


FIG. 4

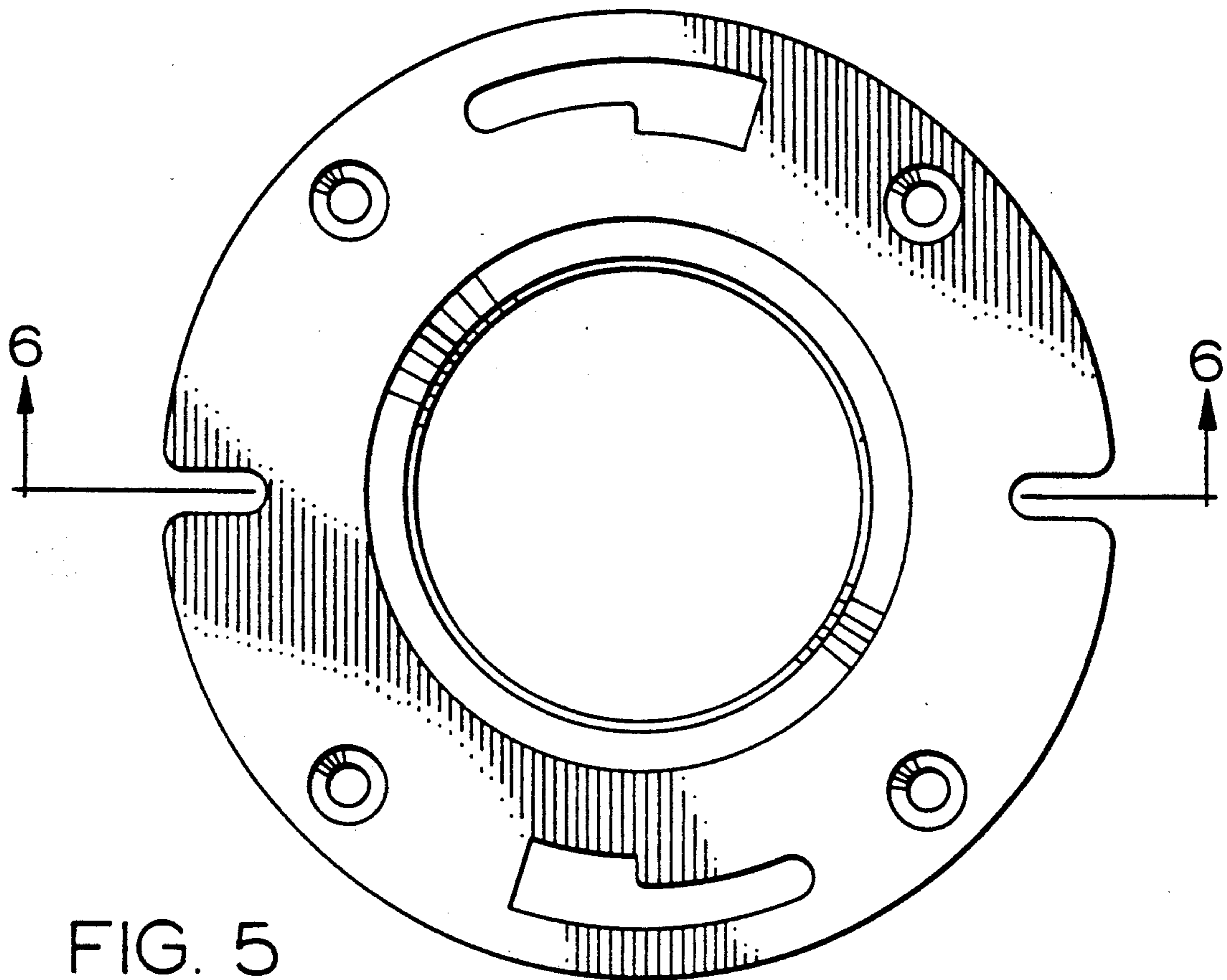


FIG. 5

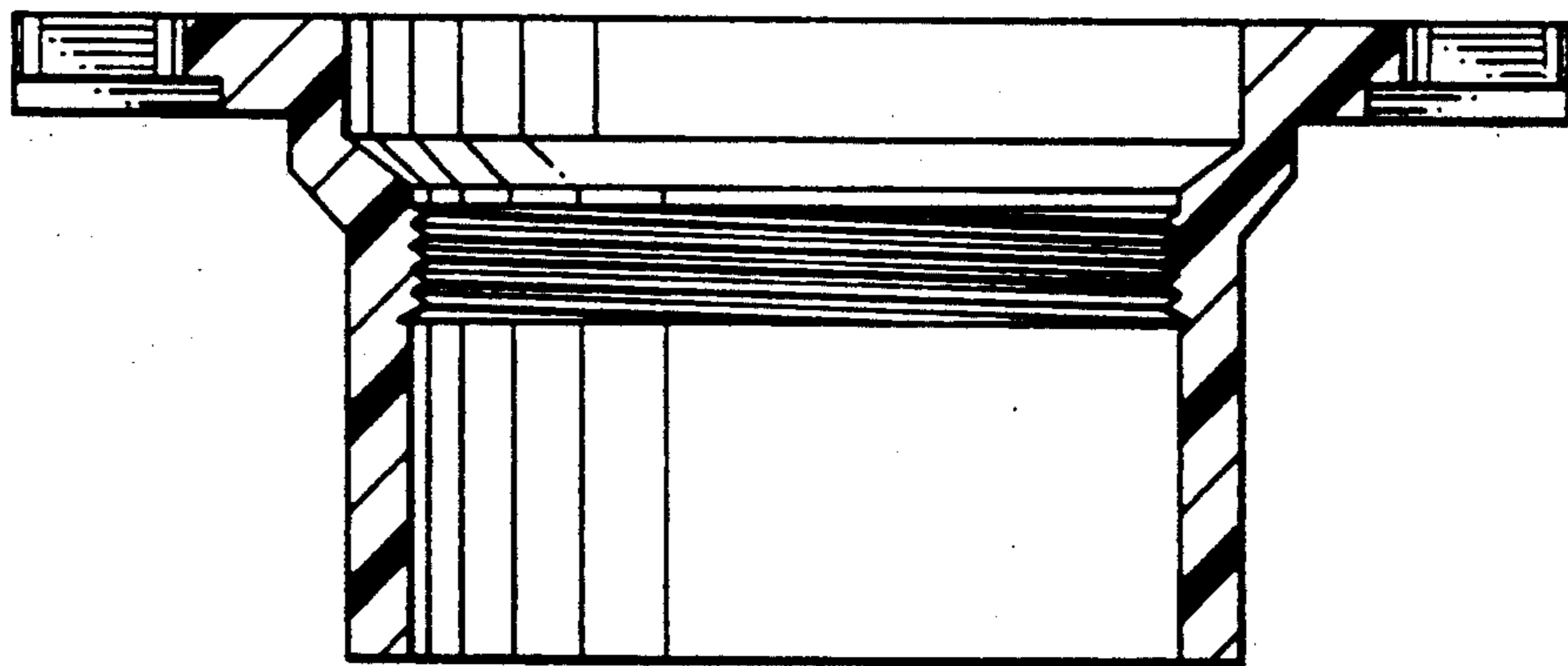


FIG. 6

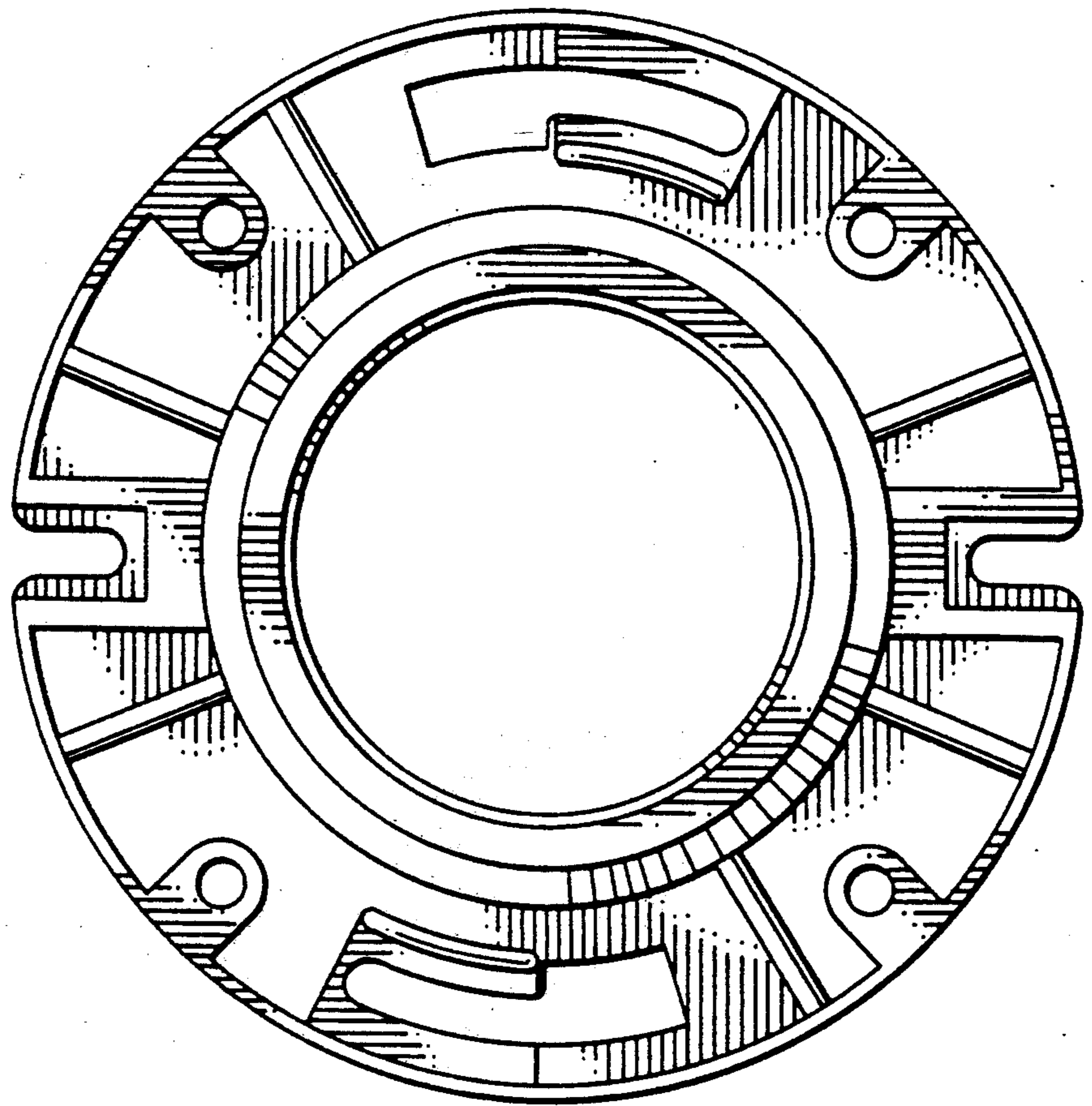


FIG. 7

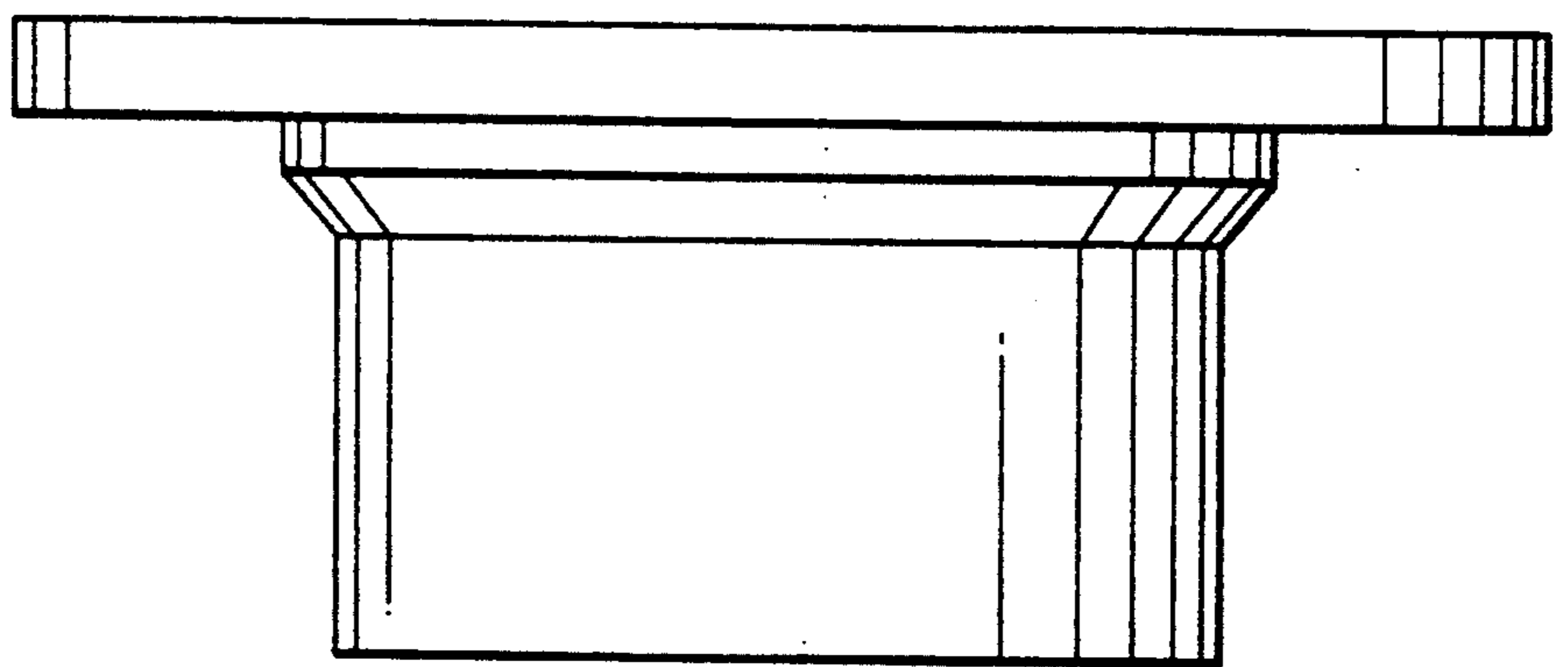


FIG. 8

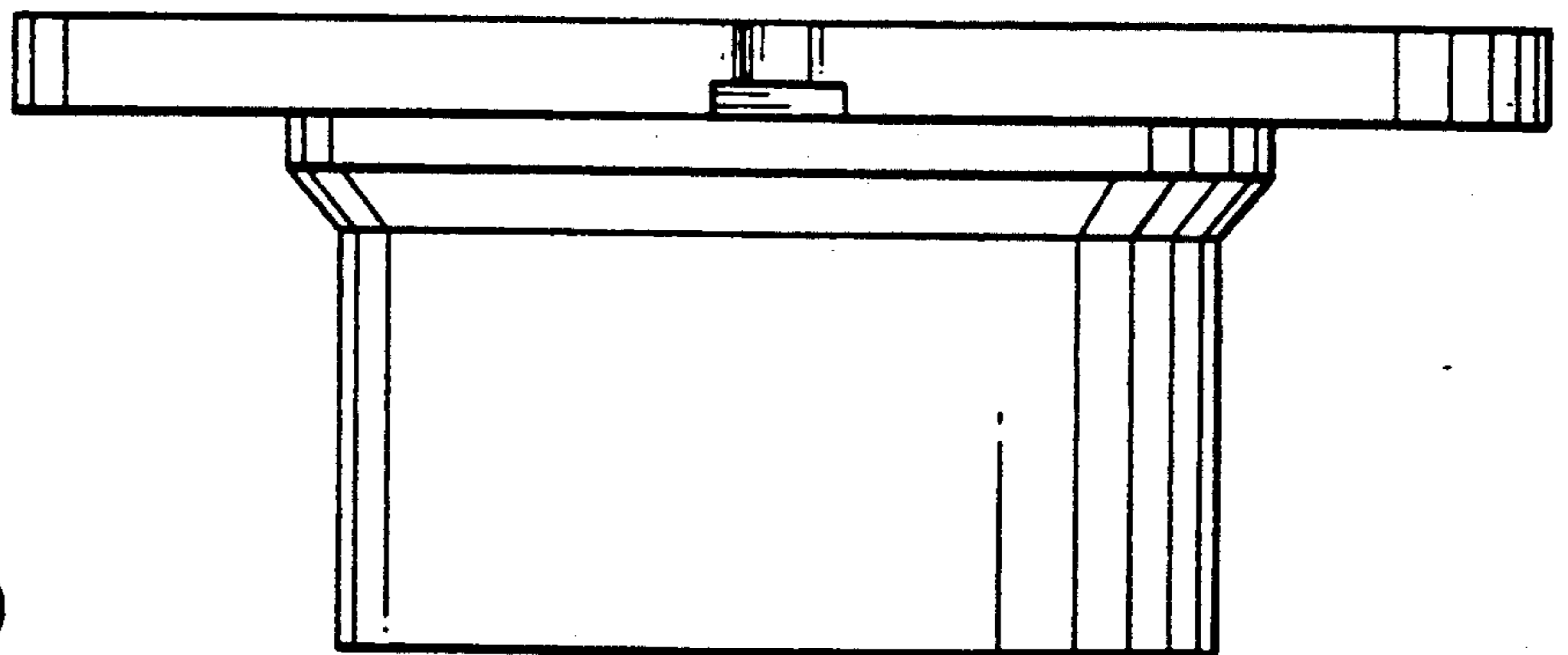


FIG. 9