



US00D334050S

United States Patent [19]

[11] Patent Number: **Des. 334,050**

Foxlee

[45] Date of Patent: **** Mar. 16, 1993**

[54] **COMBINED PIPE TAPPING SADDLE AND SEAL**

[75] Inventor: **Herbert Foxlee, Wangan, Australia**

[73] Assignees: **HB Schmidt & BG Schmidt Pty. Ltd.; Northern Iron and Brass Foundry, Queensland, Australia**

[**] Term: **14 Years**

[21] Appl. No.: **537,518**

[22] Filed: **Jun. 12, 1990**

[30] **Foreign Application Priority Data**

Dec. 12, 1989 [AU] Australia 4054/89

[52] U.S. Cl. **D23/263**

[58] Field of Search **D23/233-237, D23/244-249, 259-269; 285/197, 198, 199**

[56] **References Cited**

U.S. PATENT DOCUMENTS

- D. 237,883 12/1975 Zetterberg D23/233
- D. 288,708 3/1987 Cowan D23/233

- 2,146,336 2/1939 Frey 285/197 X
- 3,471,176 10/1969 Gilchrist 285/197 X
- 3,489,441 1/1970 Malcolm 285/197
- 3,999,785 12/1976 Blakeley 285/197 X
- 4,158,461 6/1979 Francis 285/197 X
- 4,258,941 3/1981 Sands 285/197
- 4,391,458 7/1983 Blakeley 285/197 X

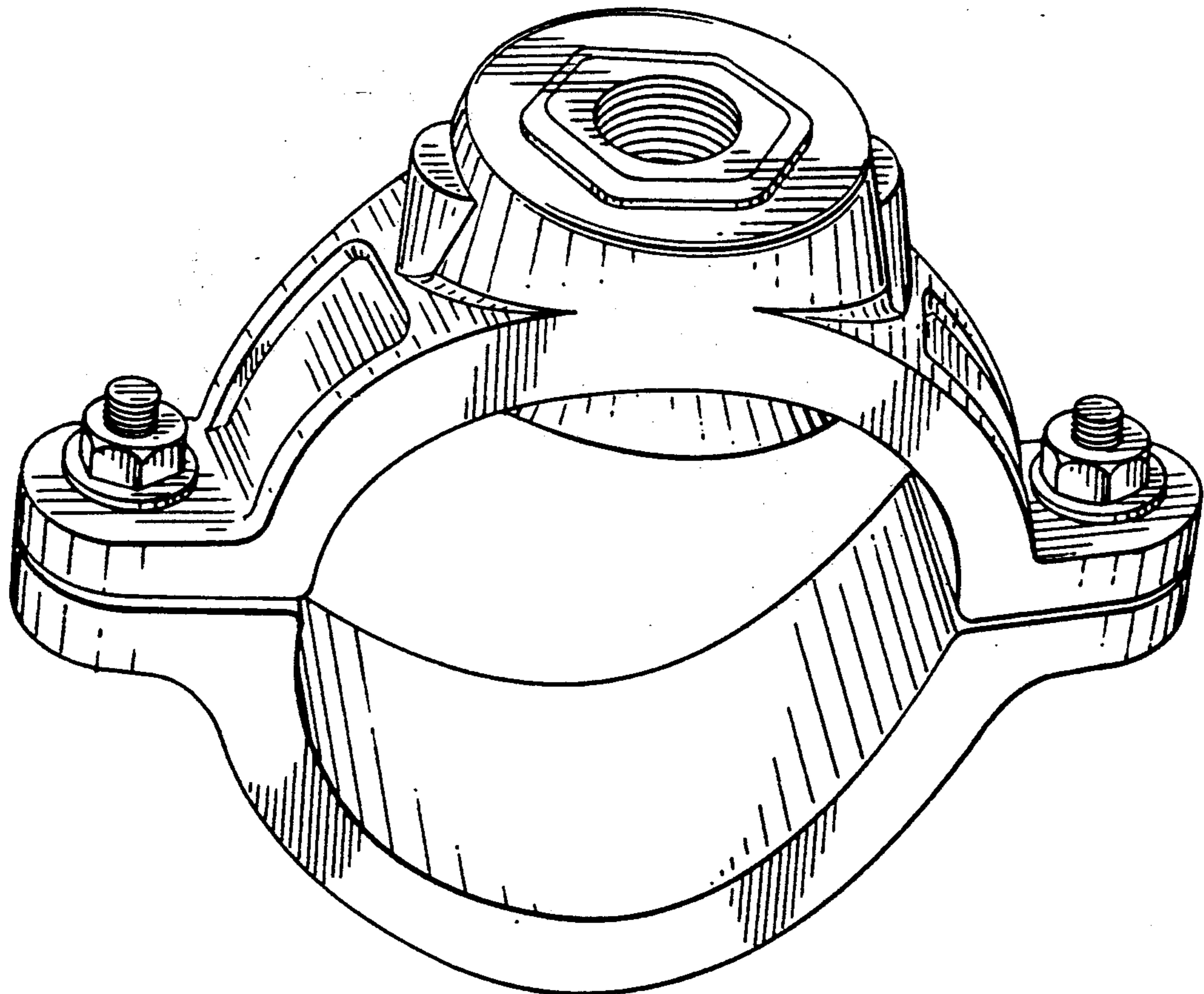
Primary Examiner—James R. Largen
Attorney, Agent, or Firm—Larson and Taylor

[57] **CLAIM**

The ornamental design for a combined pipe tapping saddle and seal, as shown and described.

DESCRIPTION

FIG. 1 is a front elevational view of a combined pipe tapping saddle and seal showing my new design, the rear being the same as the front shown;
 FIG. 2 is a top plan view thereof;
 FIG. 3 is a side elevational view thereof, the opposite side being the same as the side shown;
 FIG. 4 is a top perspective view thereof;
 FIG. 5 is a bottom plan view thereof; and,
 FIG. 6 is a bottom perspective view thereof.



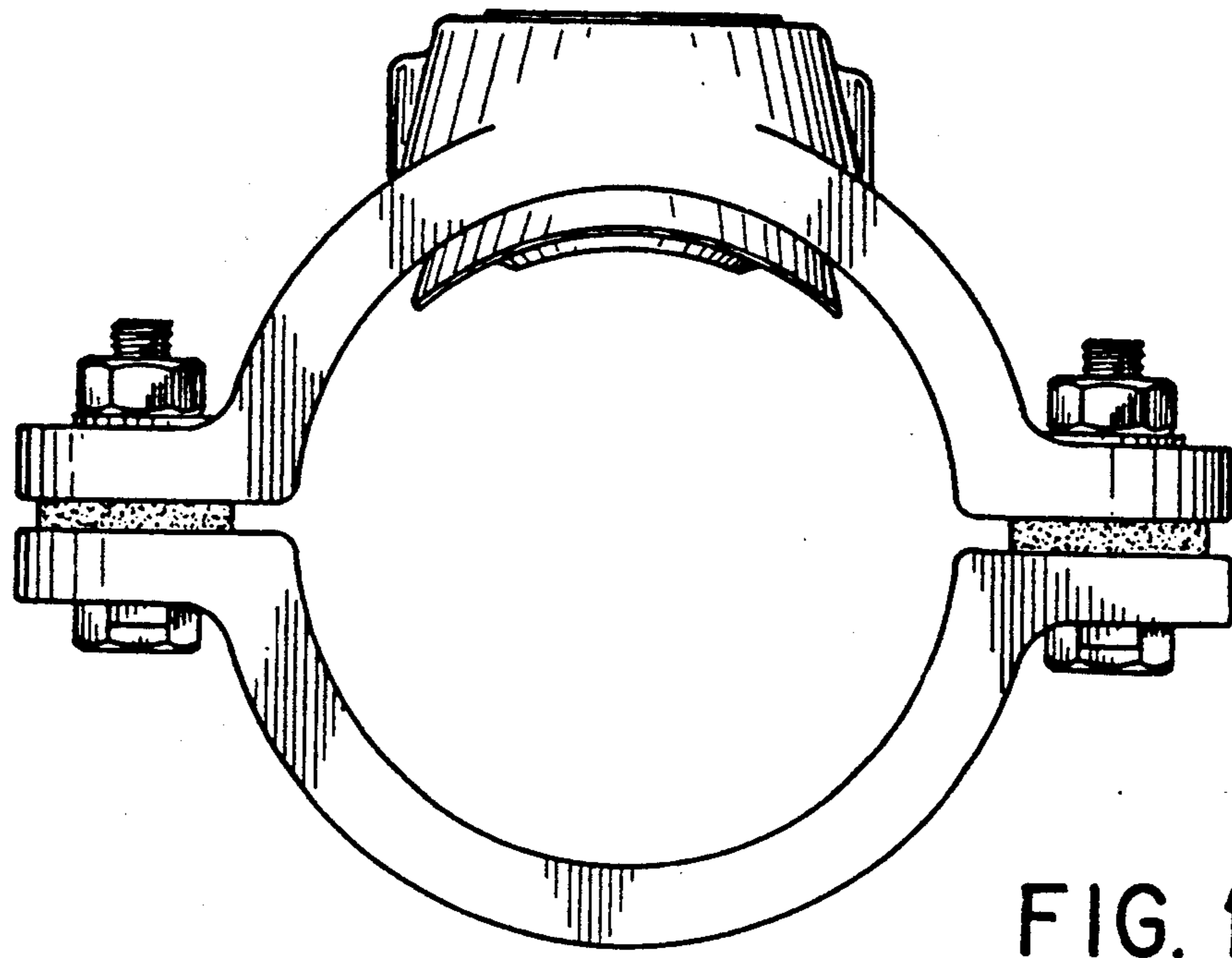


FIG. 1

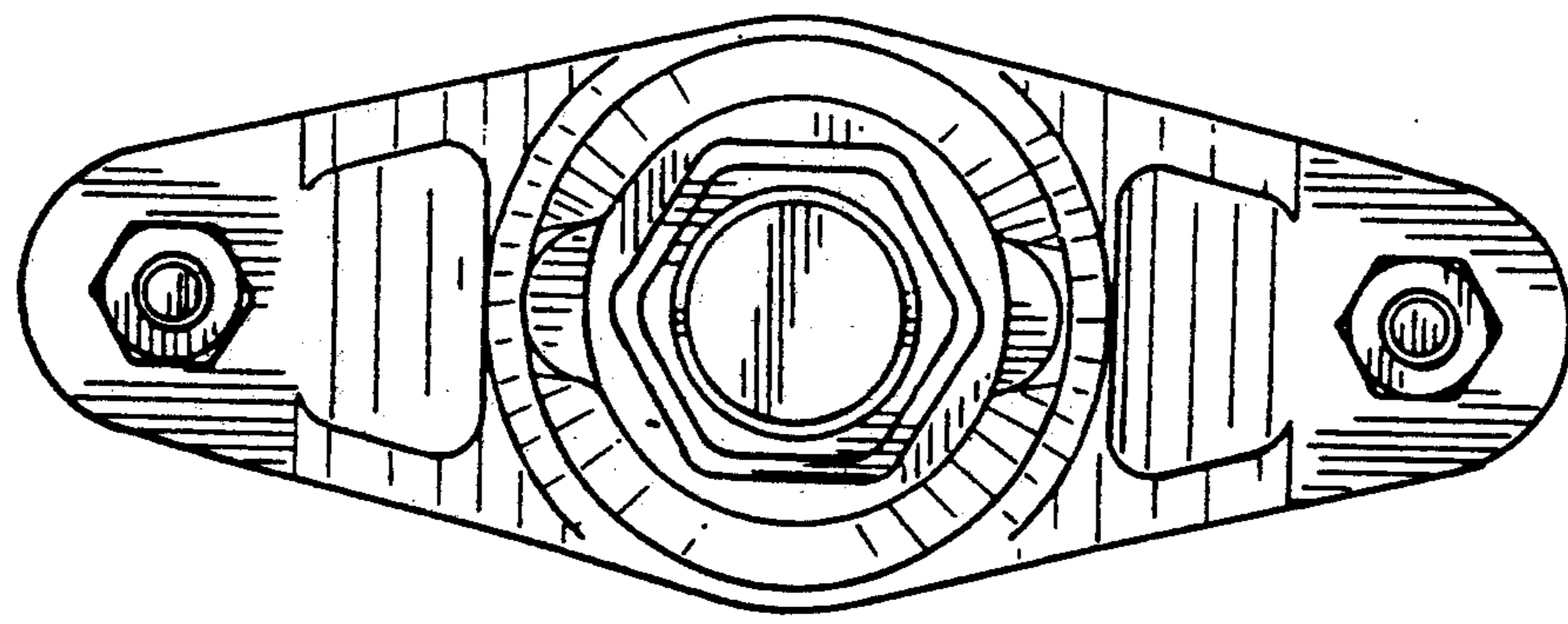


FIG. 2

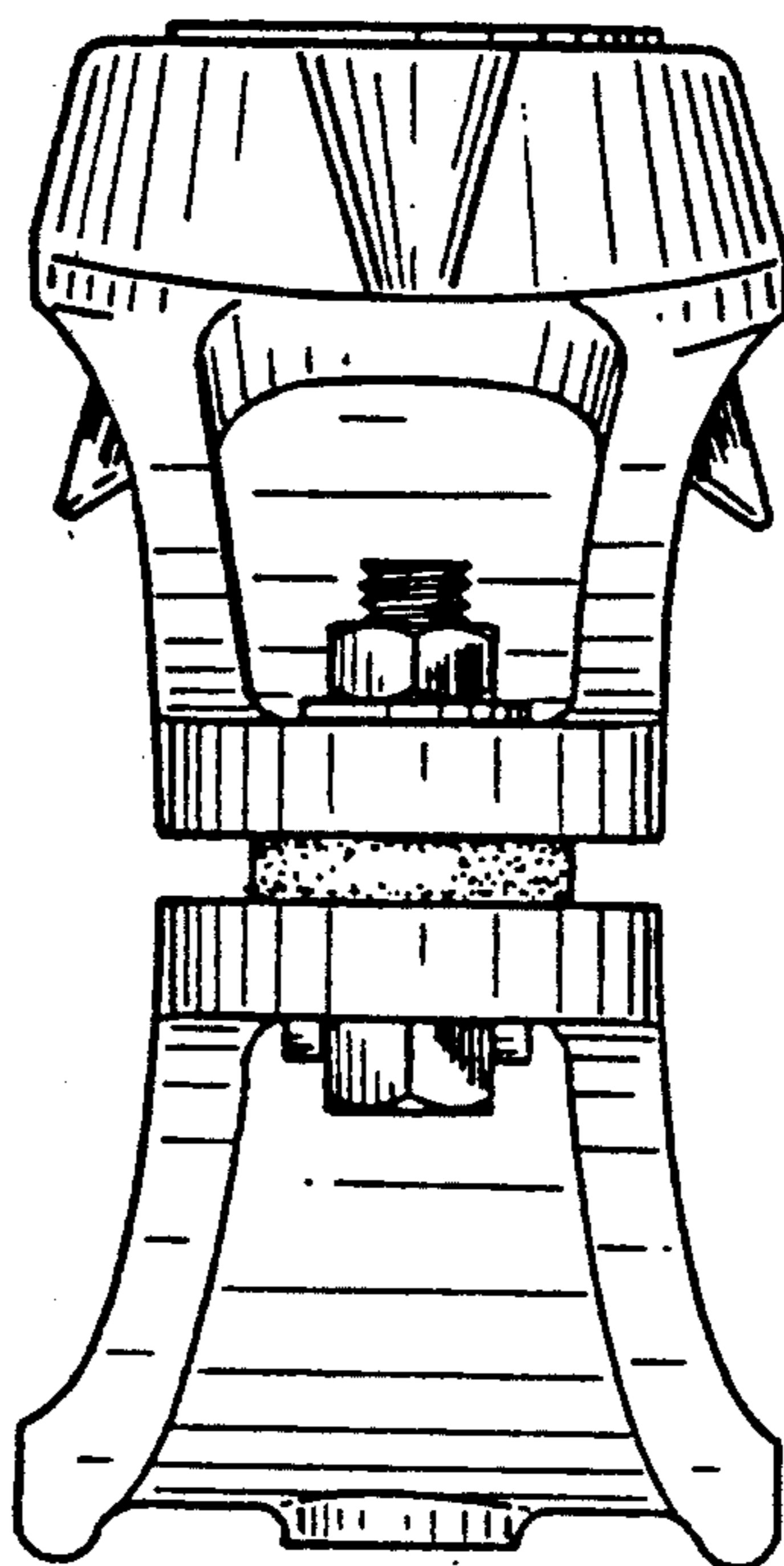


FIG. 3

FIG. 4

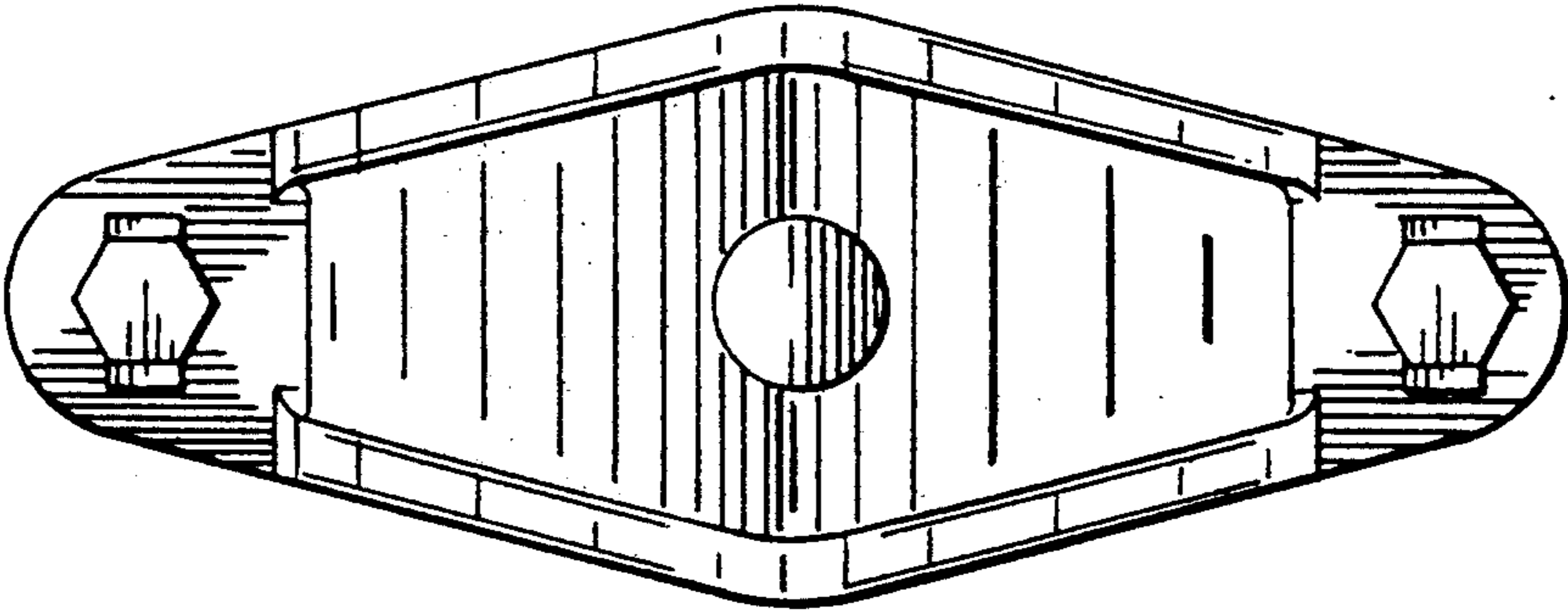
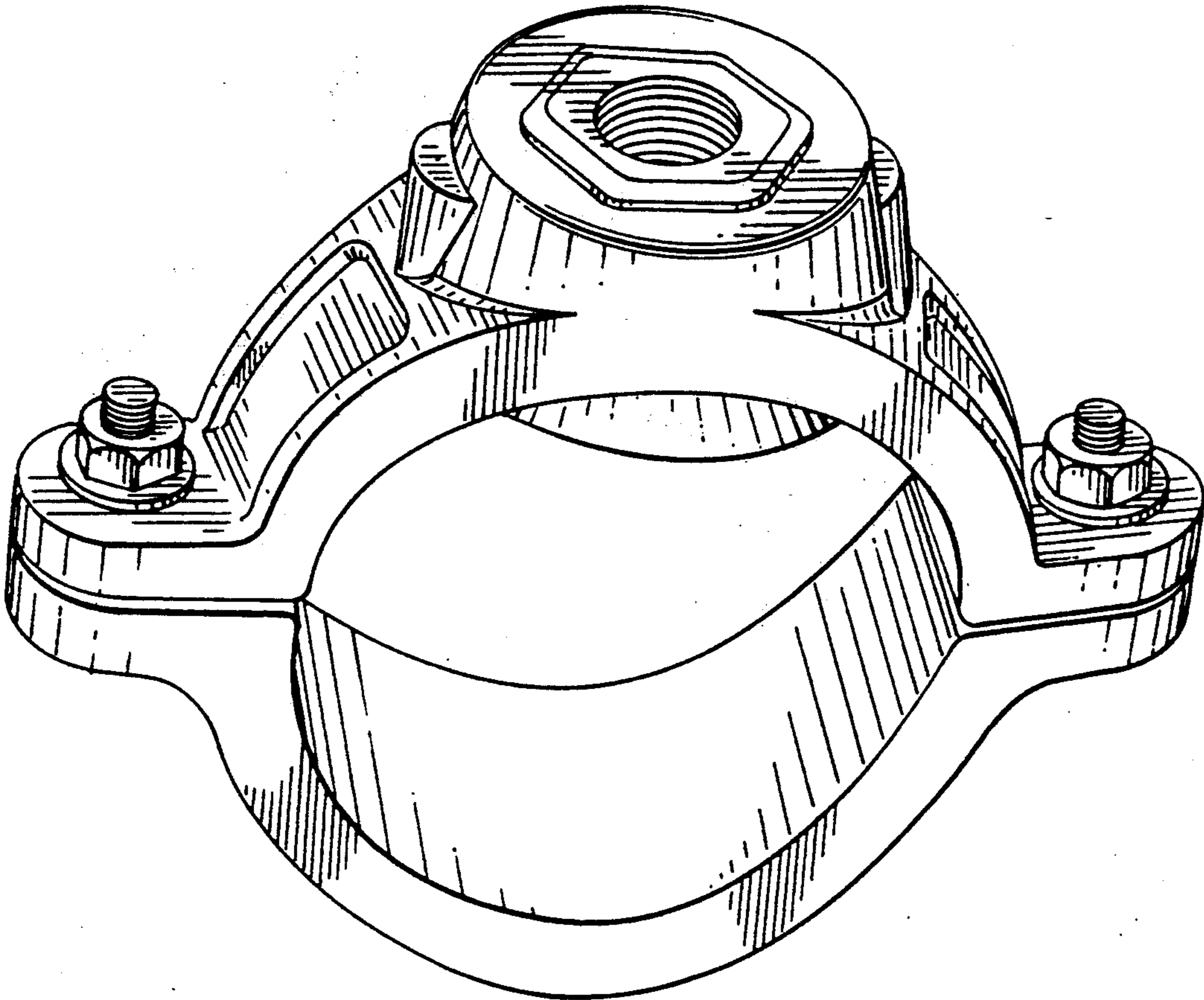


FIG. 5

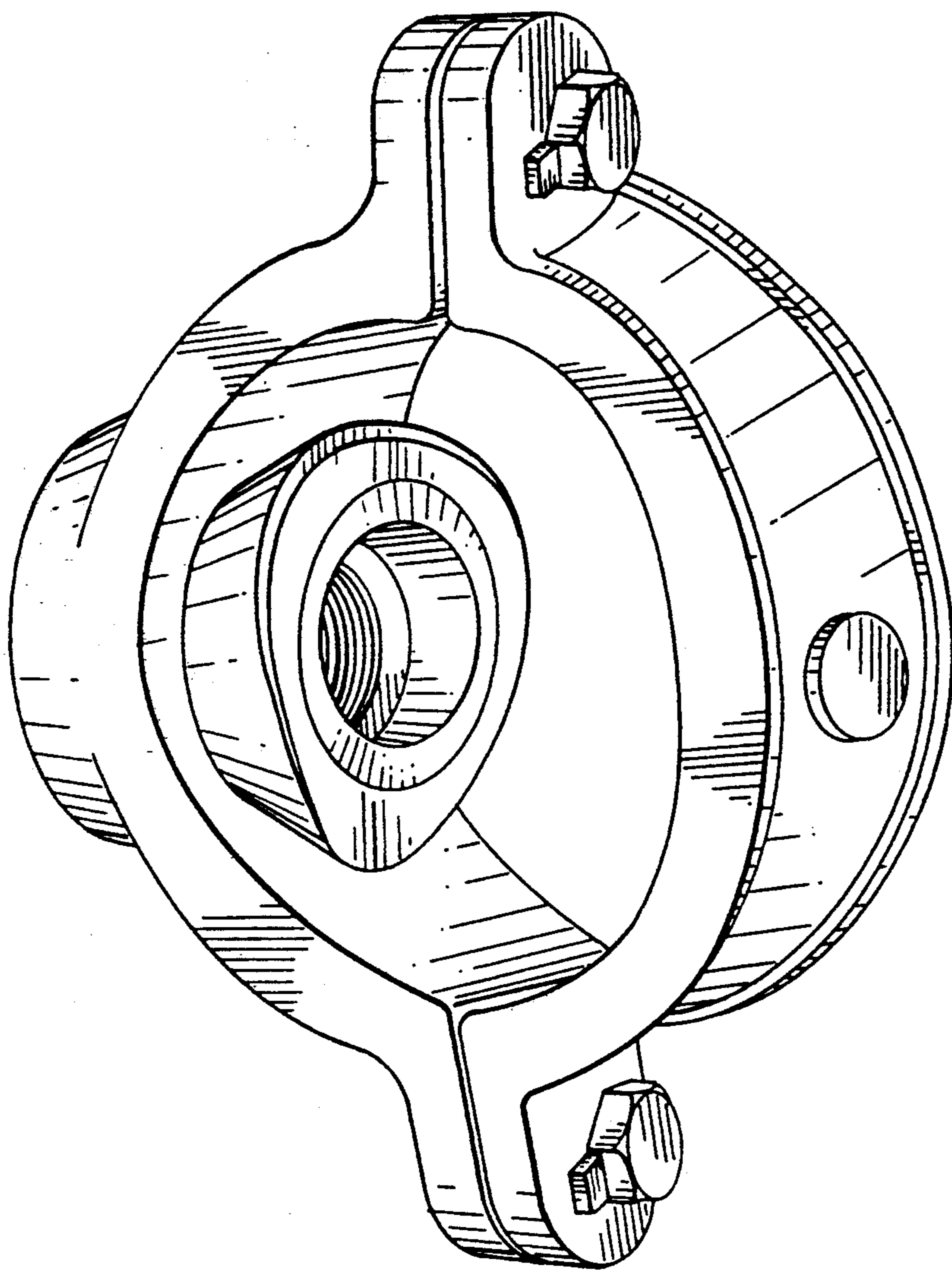


FIG. 6