



US00D334046S

United States Patent [19]

[11] Patent Number: **Des. 334,046**

Klose

[45] Date of Patent: **** Mar. 16, 1993**

[54] **COMBINED SHOWER AND SPRINKLER HEAD**

D. 325,769	4/1992	Huag et al.	D23/213
843,260	2/1907	Cloud	4/615
2,726,120	12/1955	Bletcher et al.	239/449
2,874,001	2/1959	Webb	D23/213 X
3,083,916	4/1963	Neel	239/310 X

[75] Inventor: **Odo Klose, Wuppertal, Fed. Rep. of Germany**

[73] Assignee: **Friedrich Grohe Aktiengesellschaft, Hemer, Fed. Rep. of Germany**

Primary Examiner—Wallace R. Burke
Assistant Examiner—M. H. Tung
Attorney, Agent, or Firm—Herbert Dubno; Ronald Lianides

[**] Term: **14 Years**

[21] Appl. No.: **751,220**

[57] **CLAIM**

[22] Filed: **Aug. 26, 1991**

The ornamental design for a combined shower and sprinkler head, as shown and described.

[52] U.S. Cl. **D23/213**

[58] Field of Search **D23/213, 223-229; 239/276, 280, 281, 282-283, 288.5, 310, 443-449, 456-460, 525, 550-552, 556-559, 562-565, 567, 581.1, 586-588; 4/567-570, 599-603, 596, 615, 675-678**

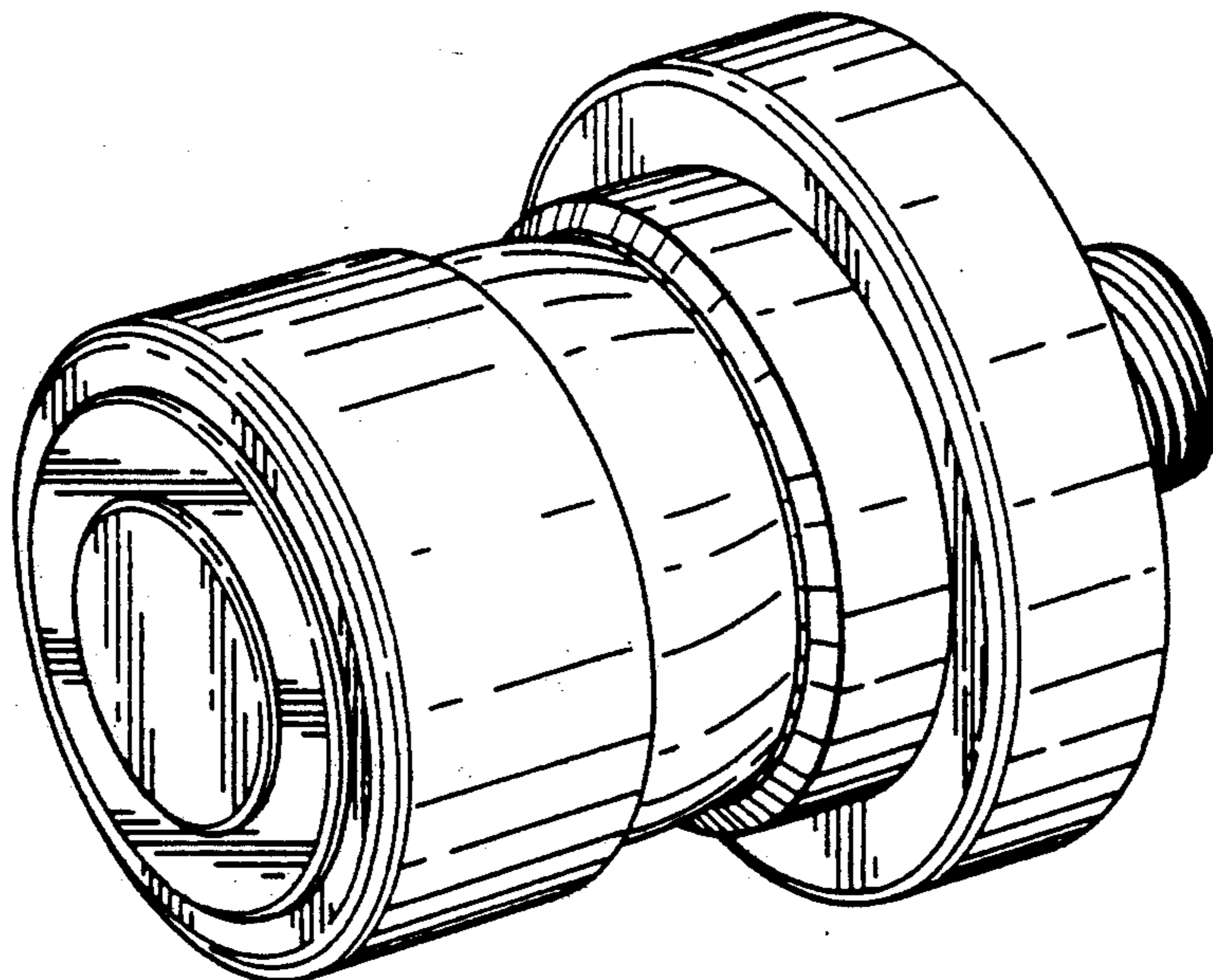
DESCRIPTION

FIG. 1 is a front, right side, top perspective view of a combined shower and sprinkler head showing my new design;
FIG. 2 is a left side elevational view thereof, the right side being a mirror image;
FIG. 3 is a front elevational view thereof; and,
FIG. 4 is a rear elevational view thereof.

[56] **References Cited**

U.S. PATENT DOCUMENTS

D. 191,975 12/1961 Lehman D23/213



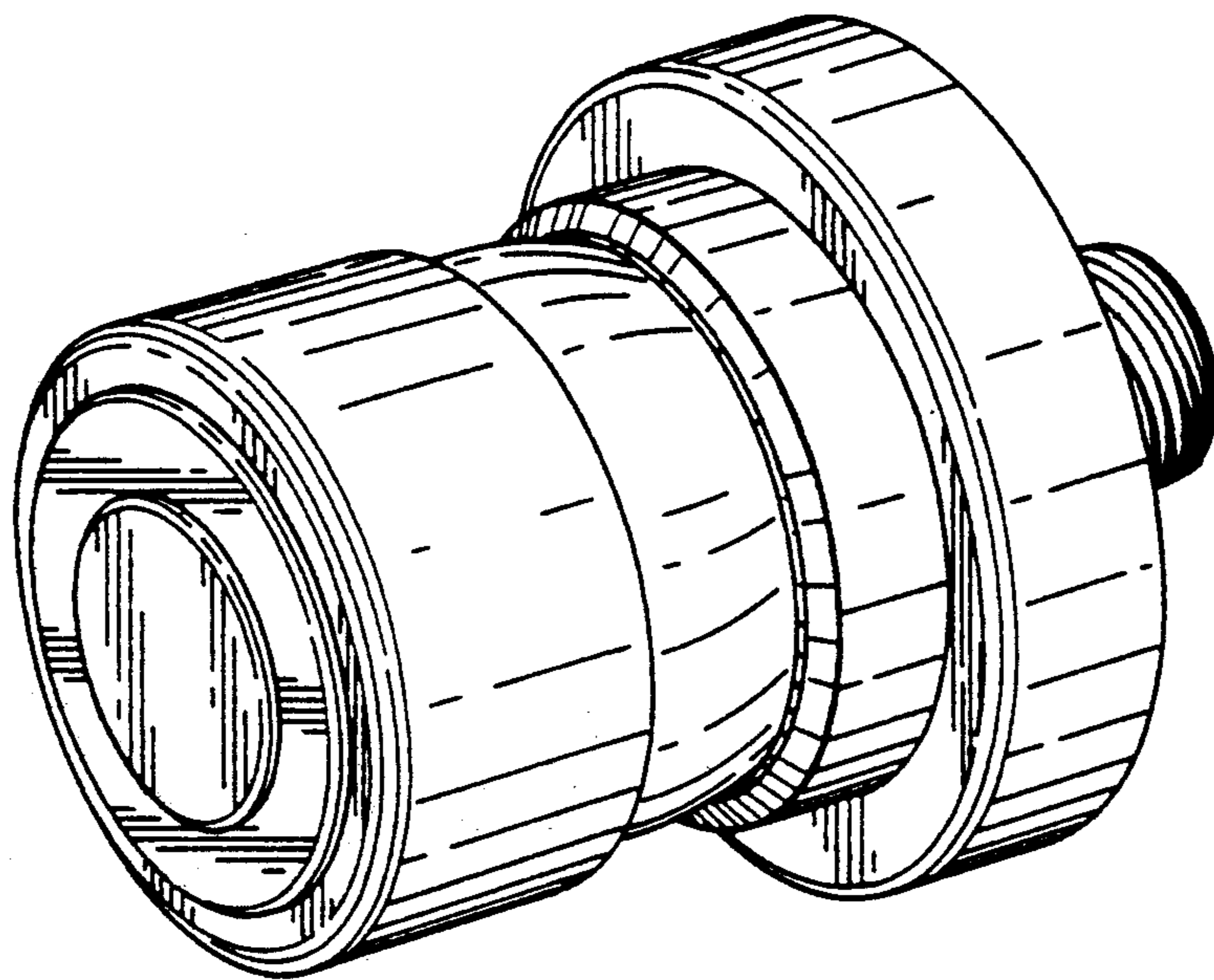


FIG. 1

FIG. 2

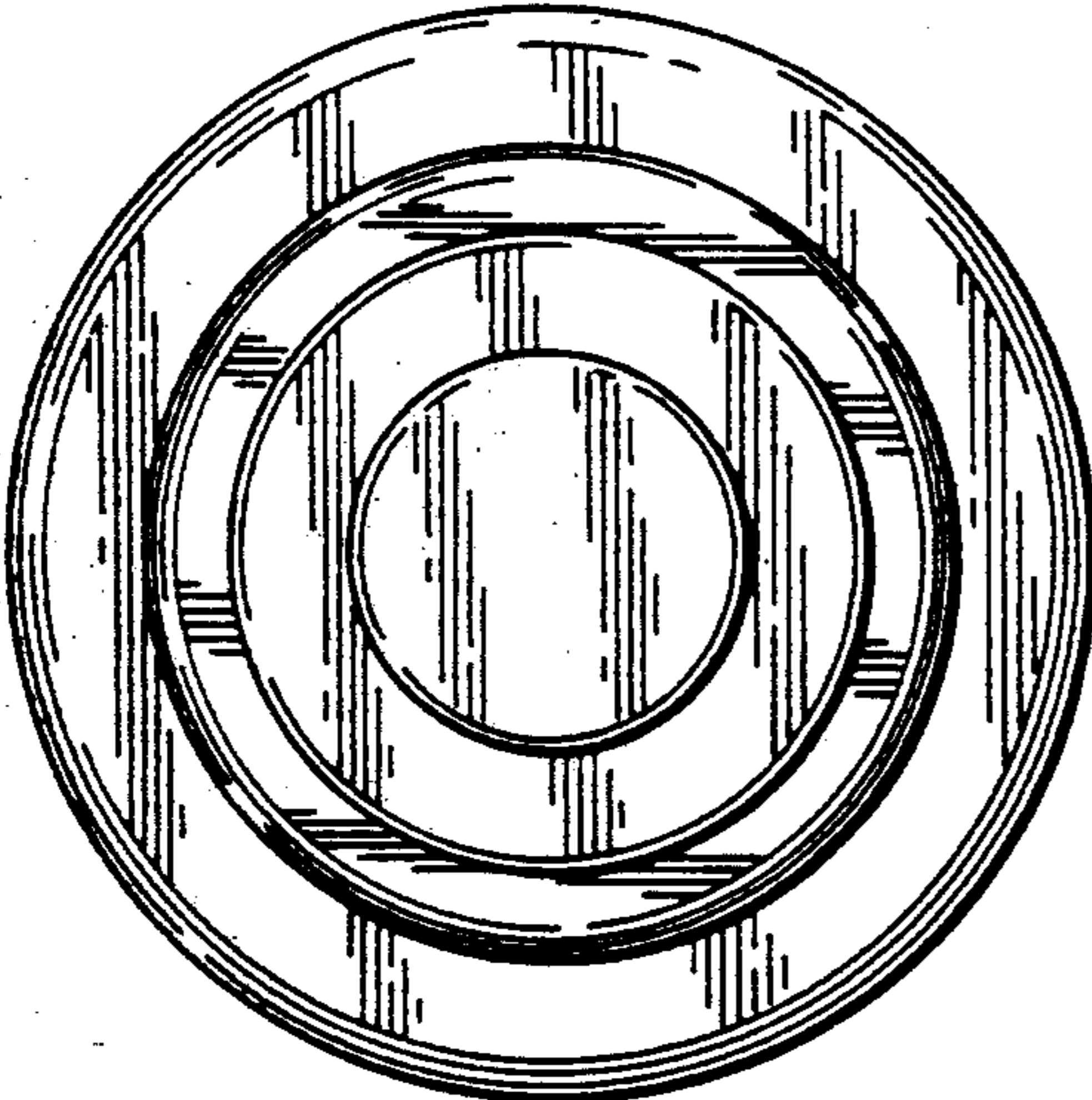
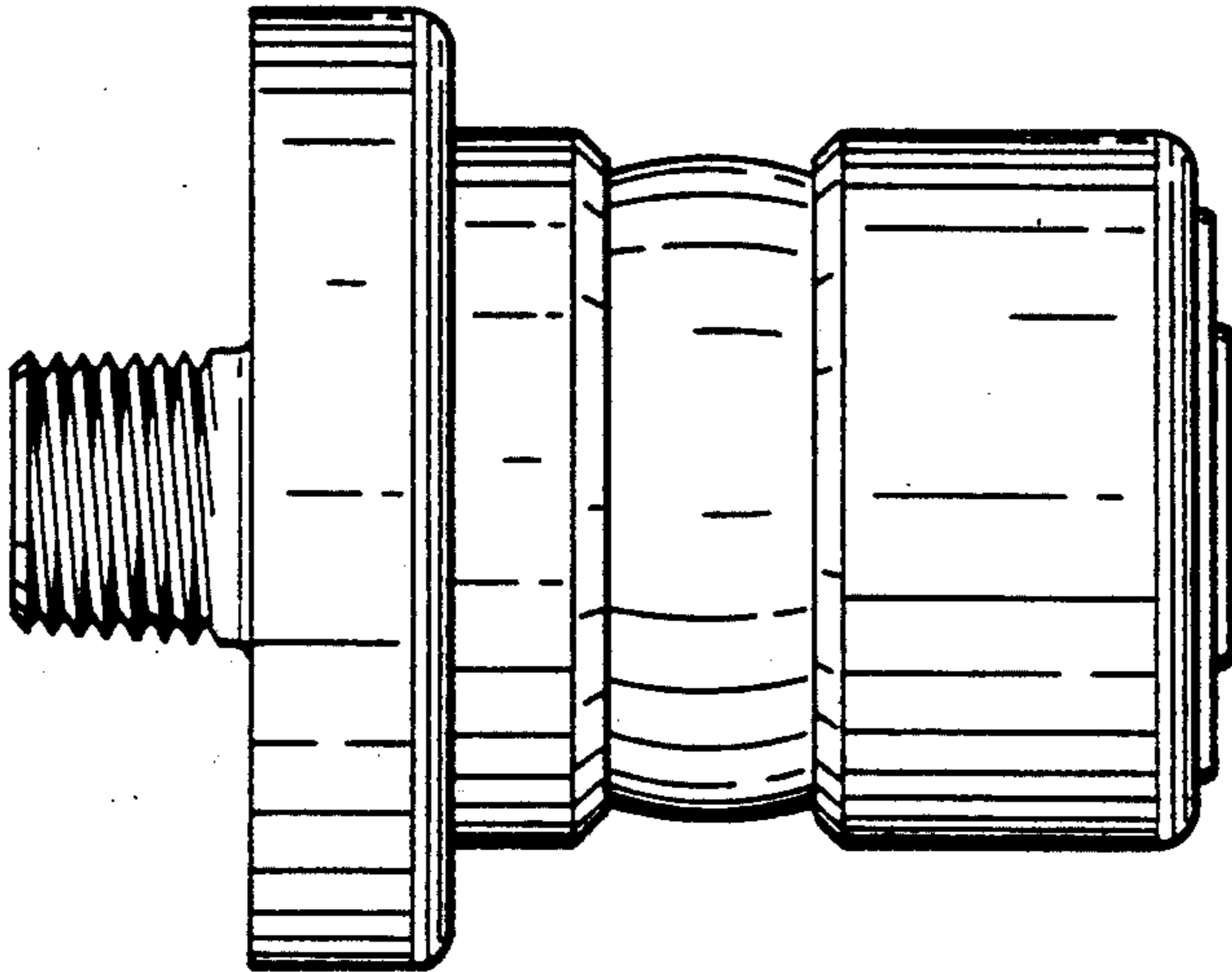


FIG. 3

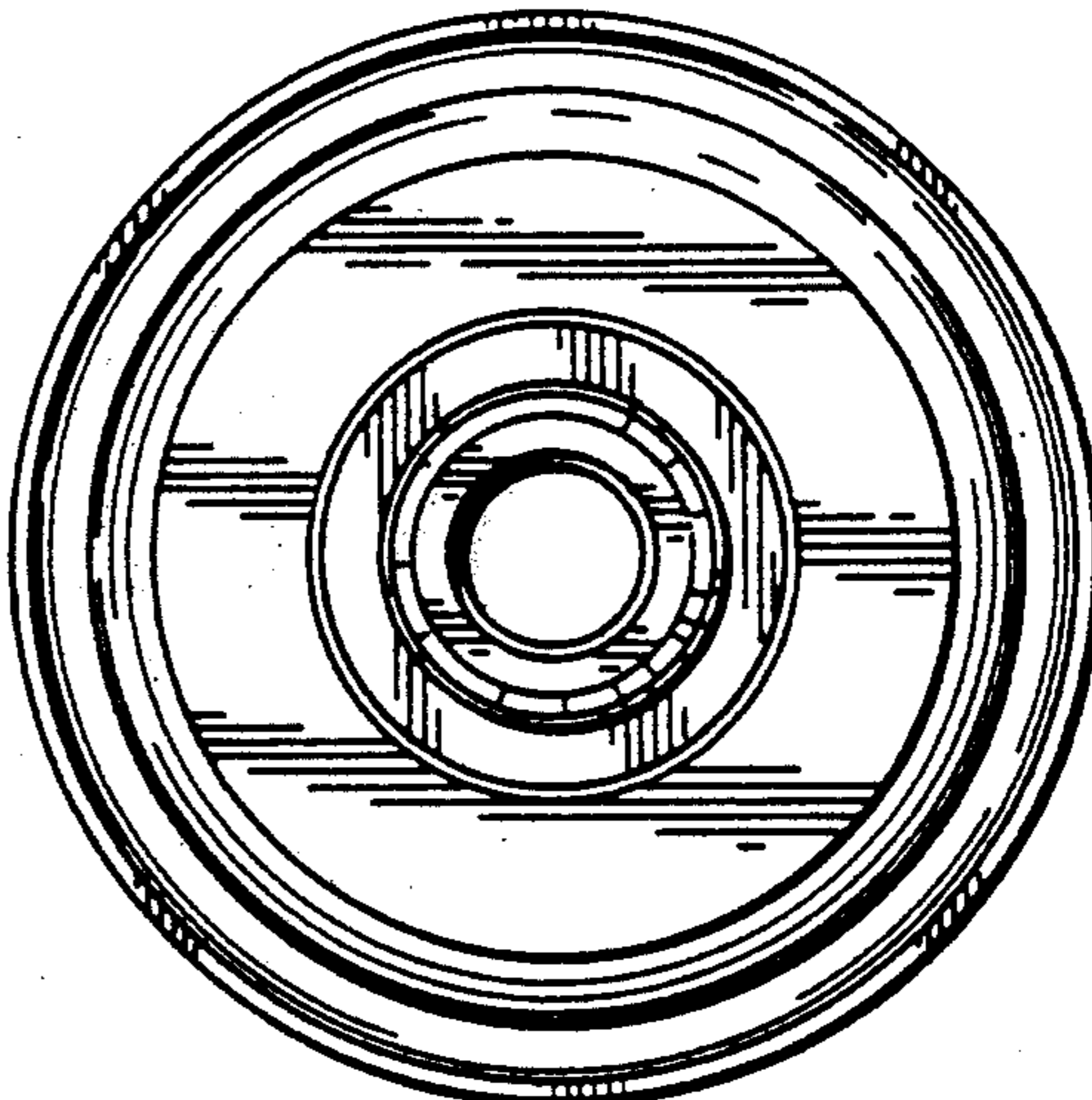


FIG. 4