



US00D334045S

United States Patent [19]

[11] Patent Number: Des. 334,045

Chou et al.

[45] Date of Patent: ** Mar. 16, 1993

[54] COMBINED CLIMBER AND SLIDING

[76] Inventors: **Fa-Chai Chou; Cheng-Jong Lin**, both
c/o Hung Hsing Patent Service
Center P.O. Box 55-1670, Taipei,
Taiwan

[**] Term: 14 Years

[21] Appl. No.: 760,243

[22] Filed: Sep. 16, 1991

[52] U.S. Cl. D21/244

[58] Field of Search D21/243, 244, 245, 240;
472/116, 117, 130, 95

[56] References Cited

U.S. PATENT DOCUMENTS

D. 73,478	9/1927	Bezark	D21/244
D. 177,752	5/1956	Parker	D21/244
D. 207,716	5/1967	Accorsi	D21/244
D. 212,484	10/1968	Harness	D21/244
D. 236,276	8/1975	Rudy	D21/245
D. 294,378	2/1988	Spirk, Jr. et al.	D21/244
4,378,216	3/1983	Phillips	D21/244 X
4,805,898	2/1989	Jacober et al.	472/117

OTHER PUBLICATIONS

Progressive Architecture, May-1977, p. 24, top of the page.

Mexico Forge Cat 1984, p. 19, as shown Fire Engine Slide.

Mexico Forge Cat 1984, p. 14, Horse Climber left of the page.

Miracle Recreation Eqpt. Co. 1973, Cat #773 p. 42, Elephant Slide, bottom left of the page.

Primary Examiner—Bernard Ansher

Assistant Examiner—Prabhakar Deshmukh

[57] CLAIM

The ornamental design for a combined climber and sliding, as shown and described.

DESCRIPTION

FIG. 1 is a front elevational view of a combined climber and sliding showing our new design; the rear elevational view being a mirror image thereof;

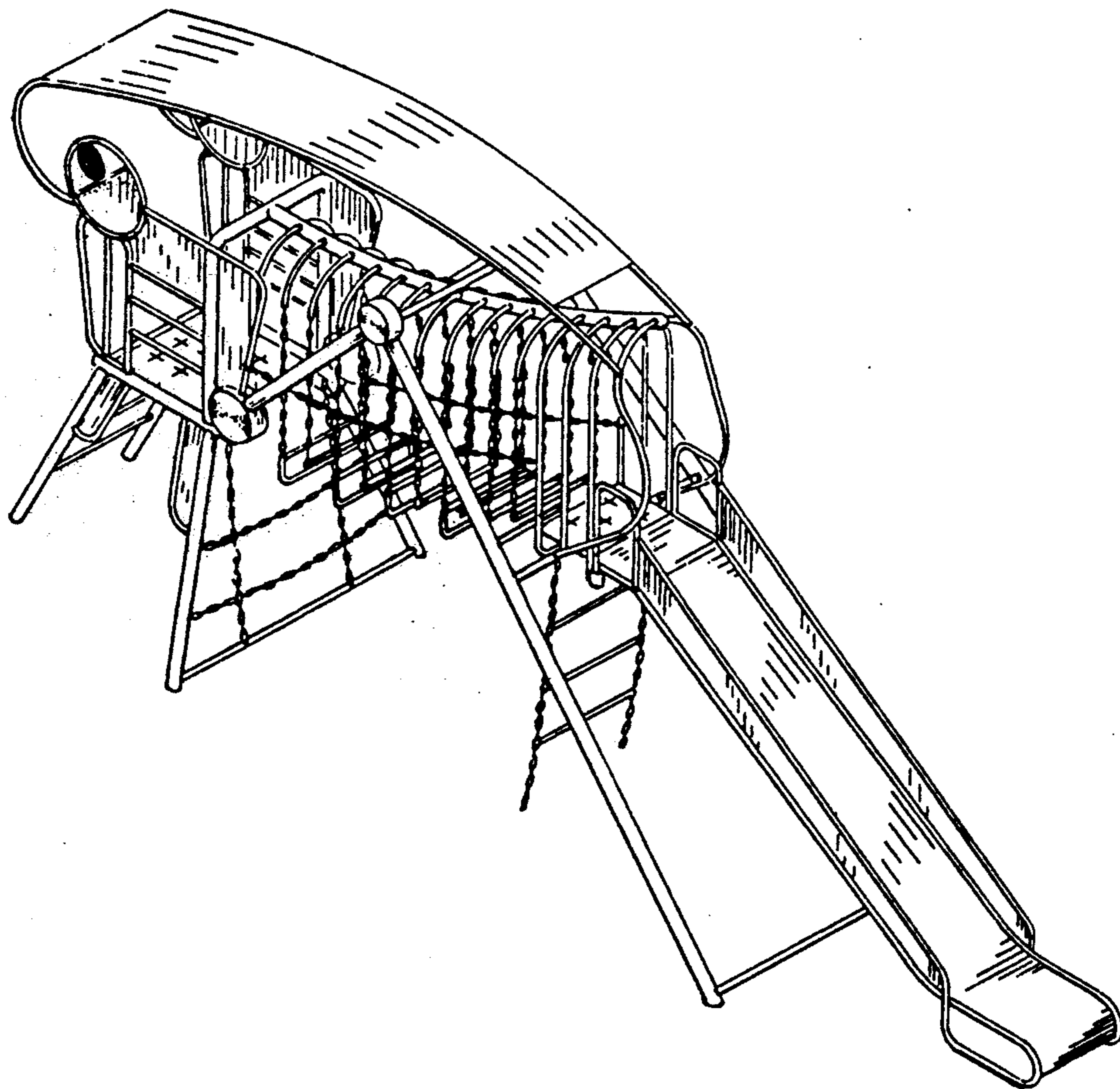
FIG. 2 is a left side elevational view thereof;

FIG. 3 is a right side elevational view thereof;

FIG. 4 is a top plan view thereof;

FIG. 5 is a bottom plan view thereof; and,

FIG. 6 is a perspective view thereof.



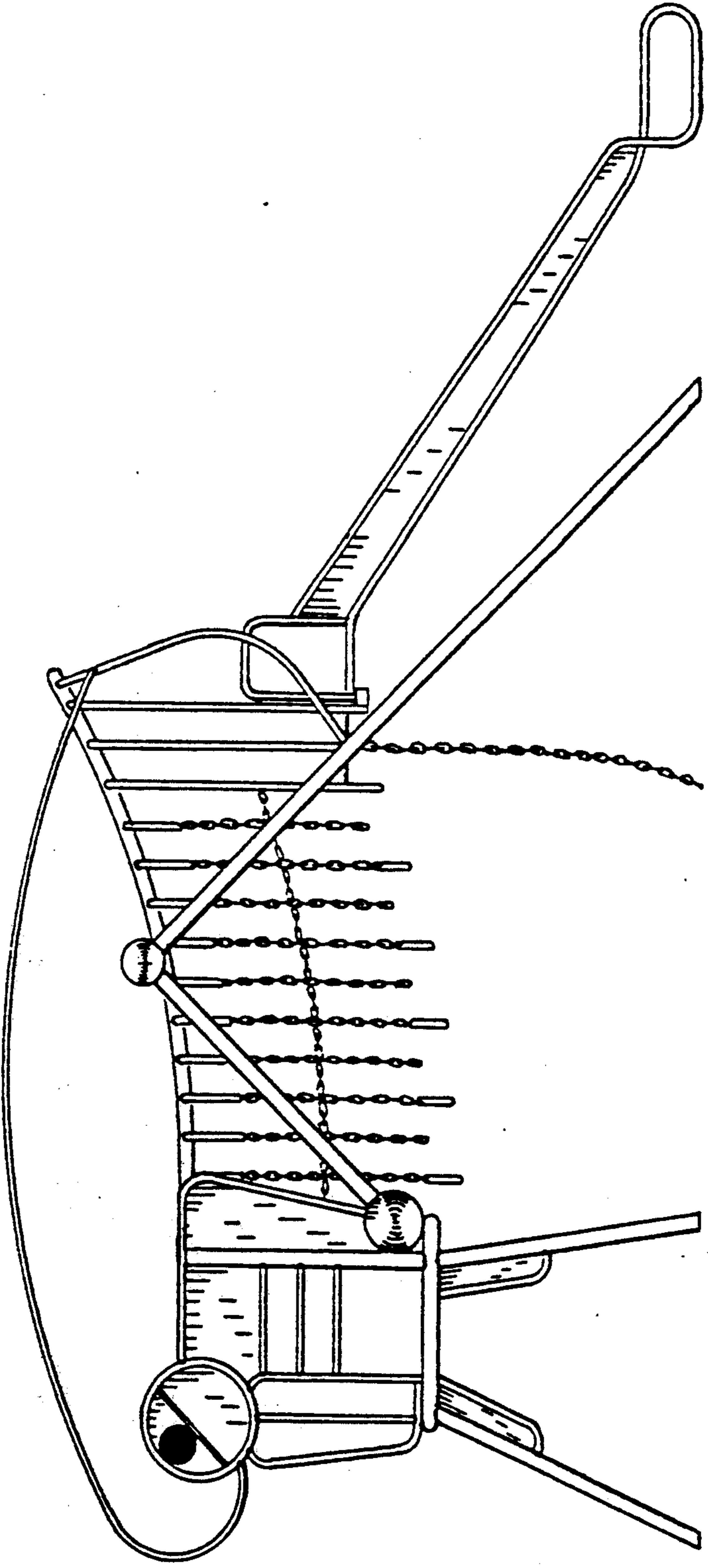


FIG.1

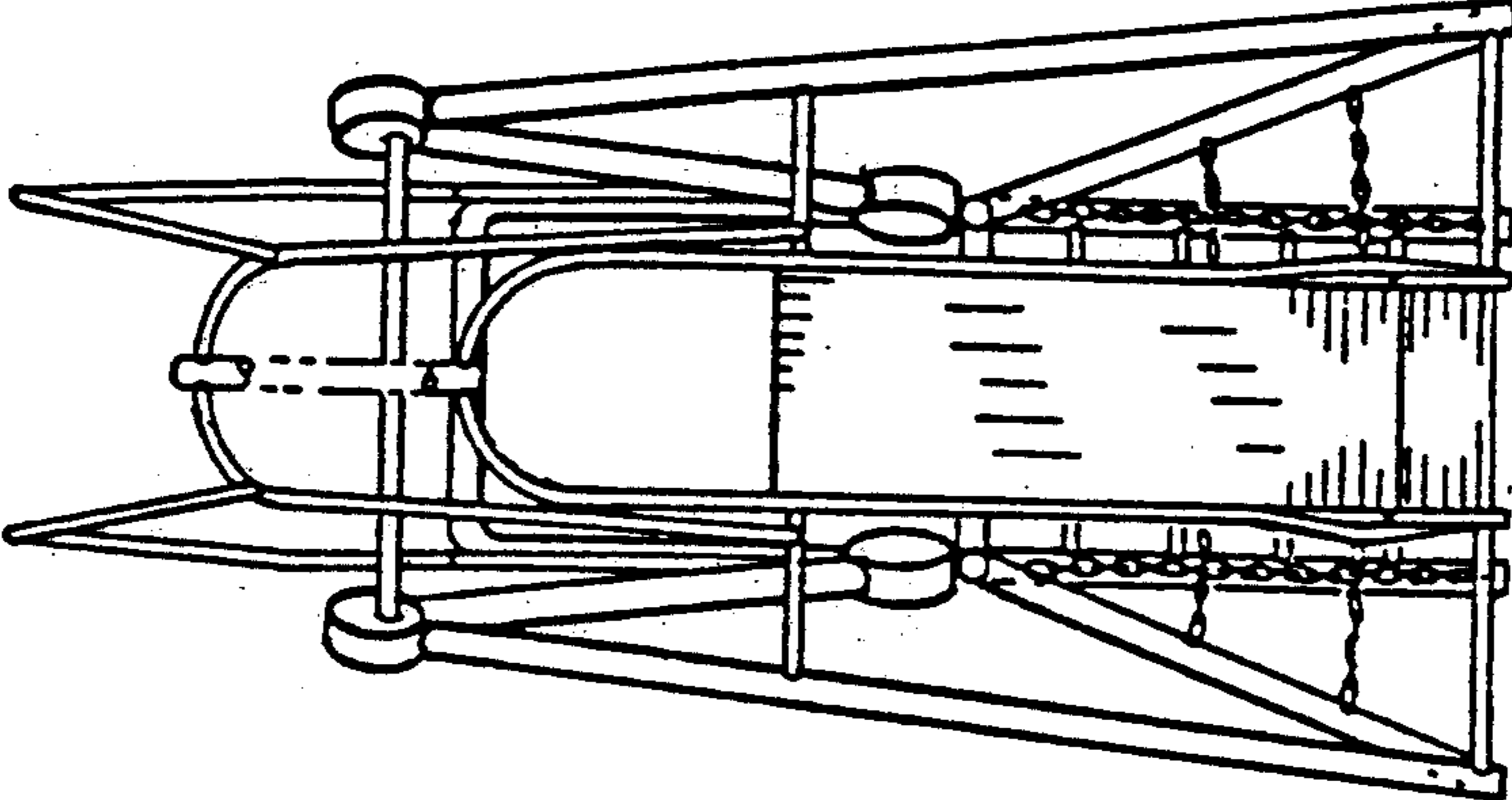


FIG.3

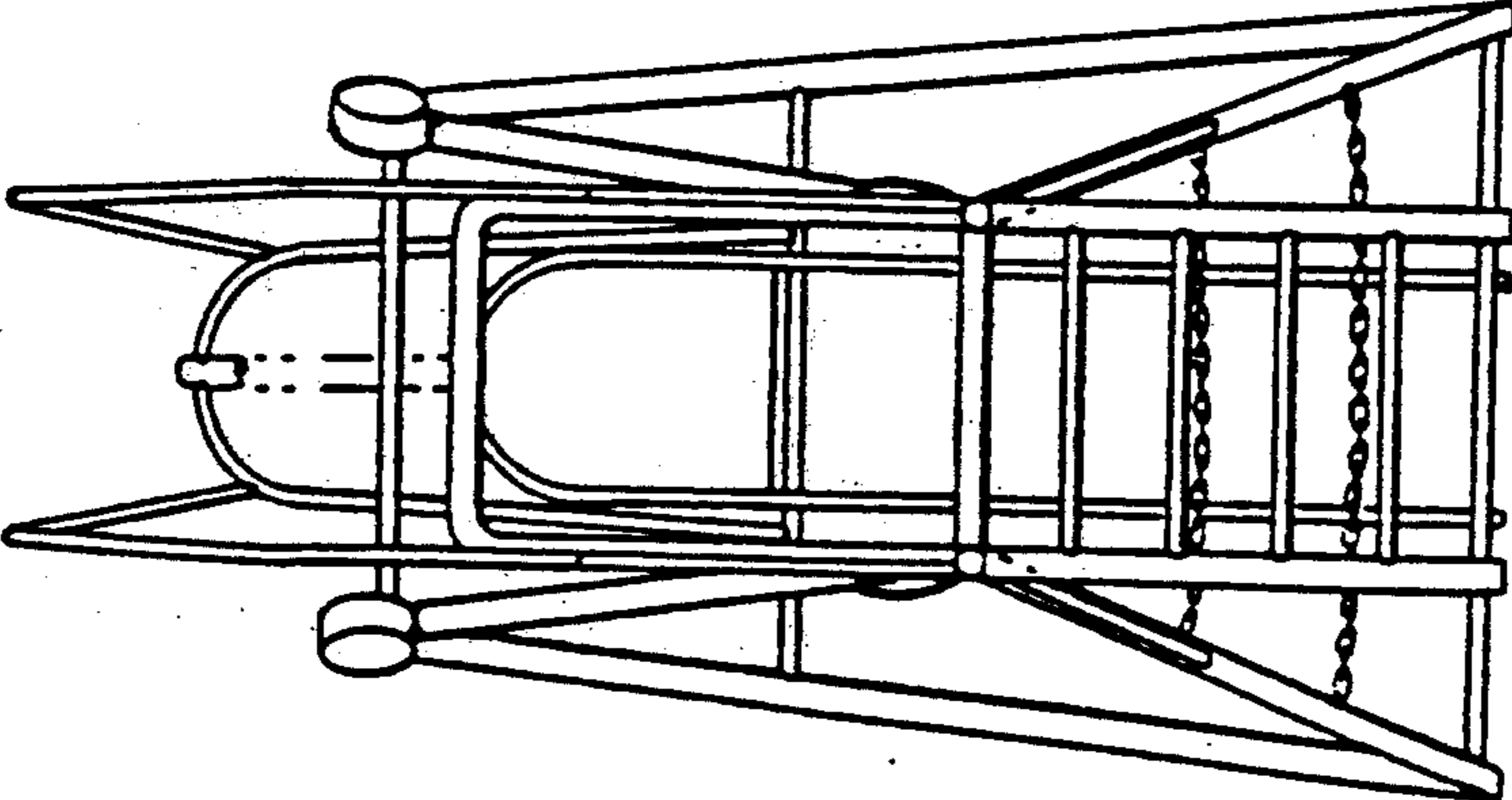


FIG.2

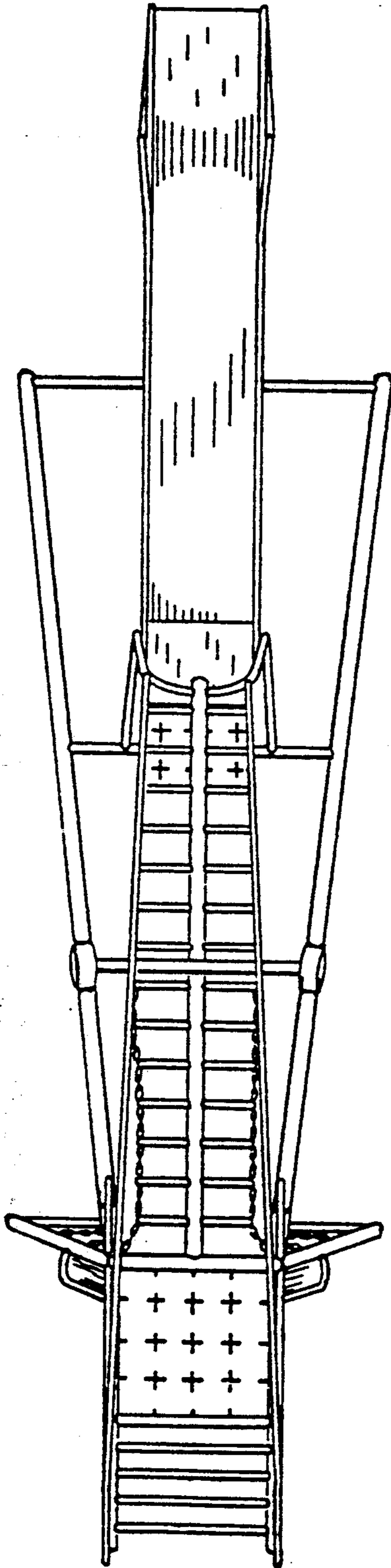


FIG. 4

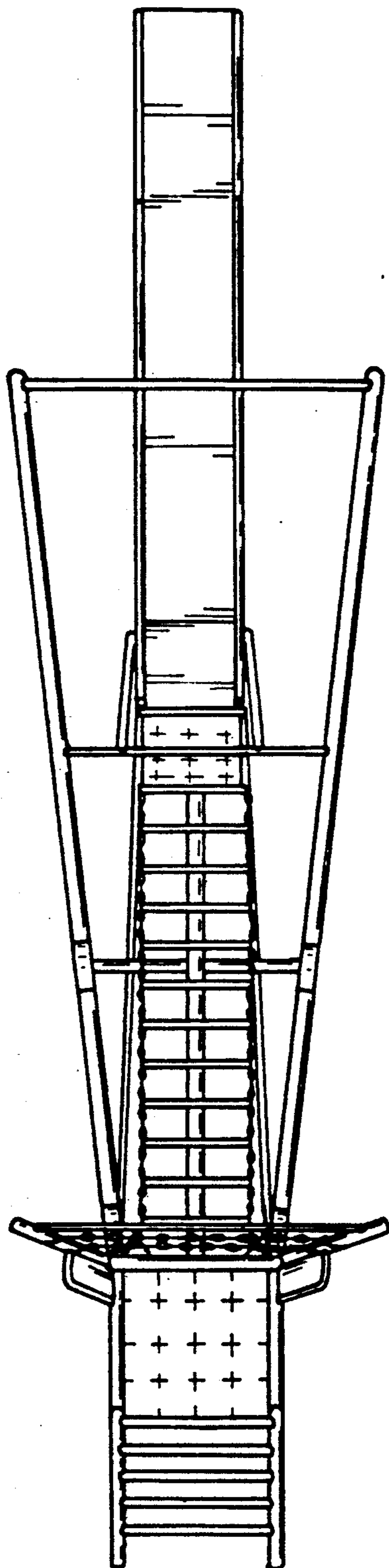


FIG. 5

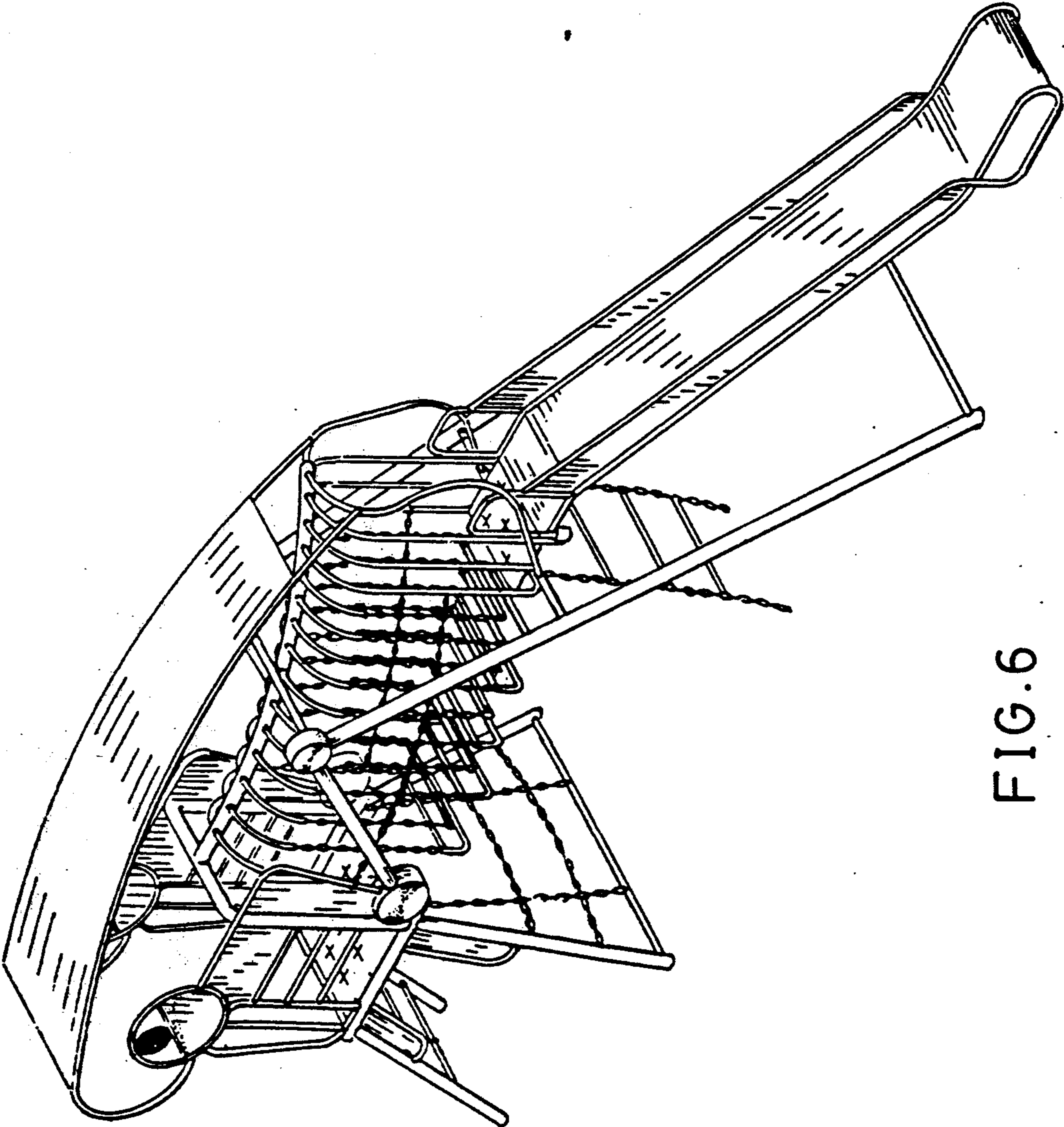


FIG. 6