



US00D334042S

United States Patent [19]

[11] Patent Number: **Des. 334,042**

Wang

[45] Date of Patent: **** Mar. 16, 1993**

[54] **EXERCISE BICYCLE**

[76] Inventor: **Leao Wang**, No. 1, Lane 154, Charng Long Rd., Toupienkeng, Taiping Hsiang, Taichung Hsien, Taiwan

[**] Term: **14 Years**

[21] Appl. No.: **676,247**

[22] Filed: **Mar. 28, 1991**

[52] U.S. Cl. **D21/194**

[58] Field of Search **D21/191-199;**
272/70.3 FGN, 73 FGN, 132 FGN; 73/379;
482/51, 58, 62, 64, 65, 66, 51, 900, 901

[56] **References Cited**

U.S. PATENT DOCUMENTS

- D. 281,520 11/1985 Kiiski D21/194
- D. 309,167 7/1990 Griffin D21/194
- D. 309,335 7/1990 Yang D21/194

- D. 310,697 9/1990 Kagayama D21/194
- D. 318,890 8/1991 Klose et al. D21/194

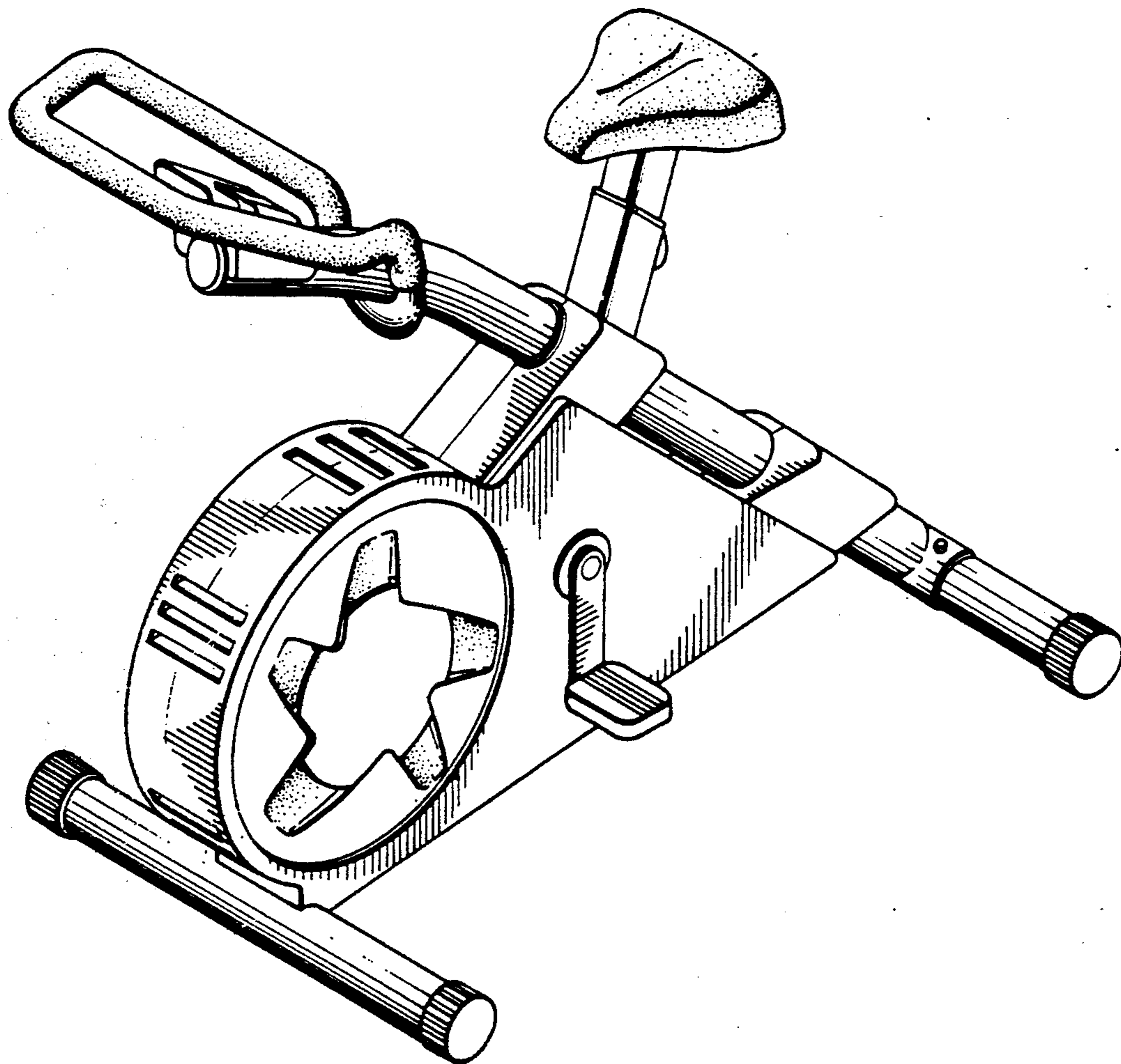
Primary Examiner—Charles A. Rademaker
Attorney, Agent, or Firm—Bacon & Thomas

[57] **CLAIM**

The ornamental design for an exercise bicycle, as shown and described.

DESCRIPTION

FIG. 1 is a front perspective view of an exercise bicycle showing my new design;
 FIG. 2 is a side elevational view thereof;
 FIG. 3 is a side elevational view of the side opposite that shown in FIG. 2;
 FIG. 4 is a front elevational view thereof;
 FIG. 5 is a rear elevational view thereof;
 FIG. 6 is a top plan view thereof; and,
 FIG. 7 is a bottom plan view thereof.



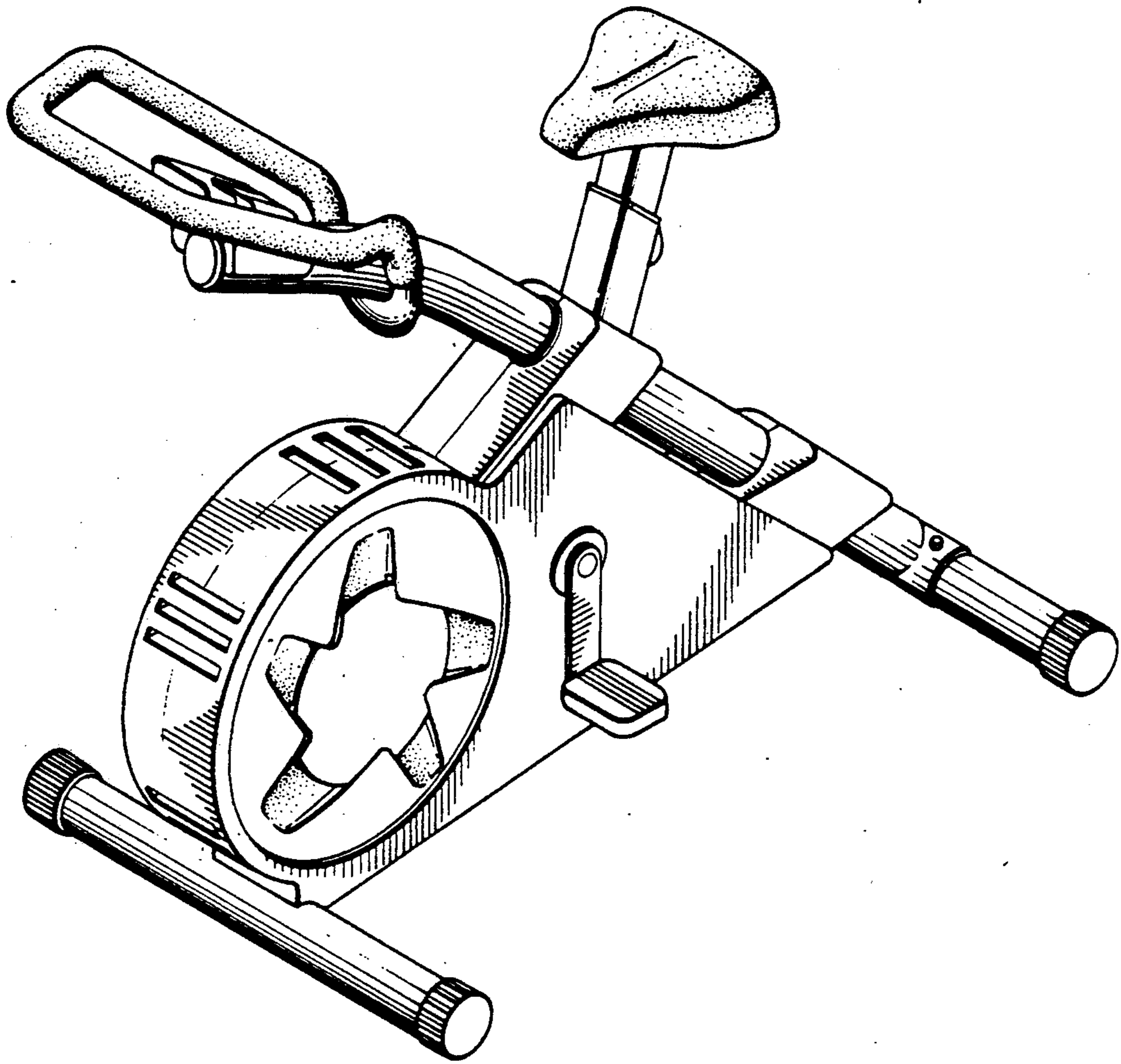


FIG. 1

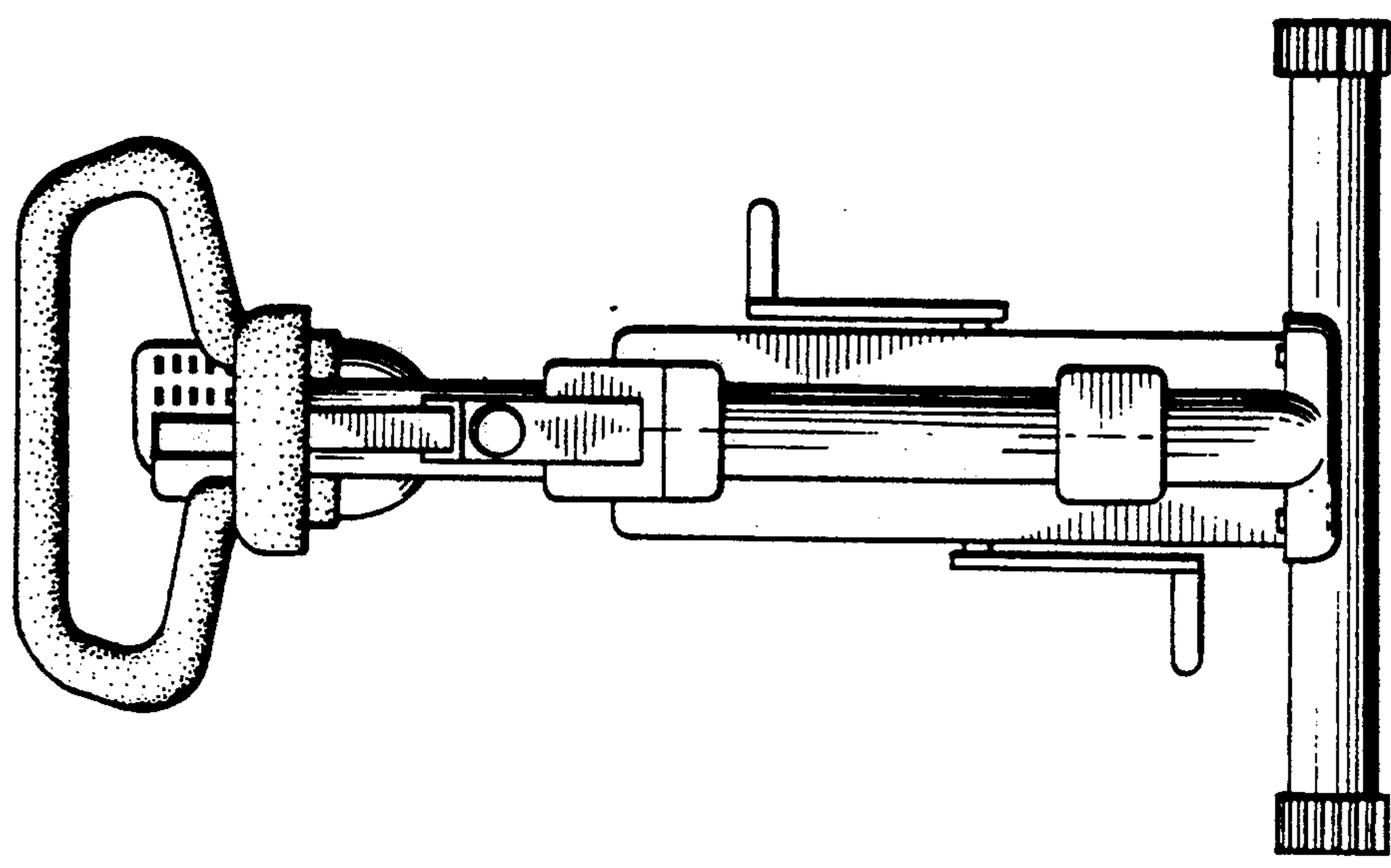


FIG. 5

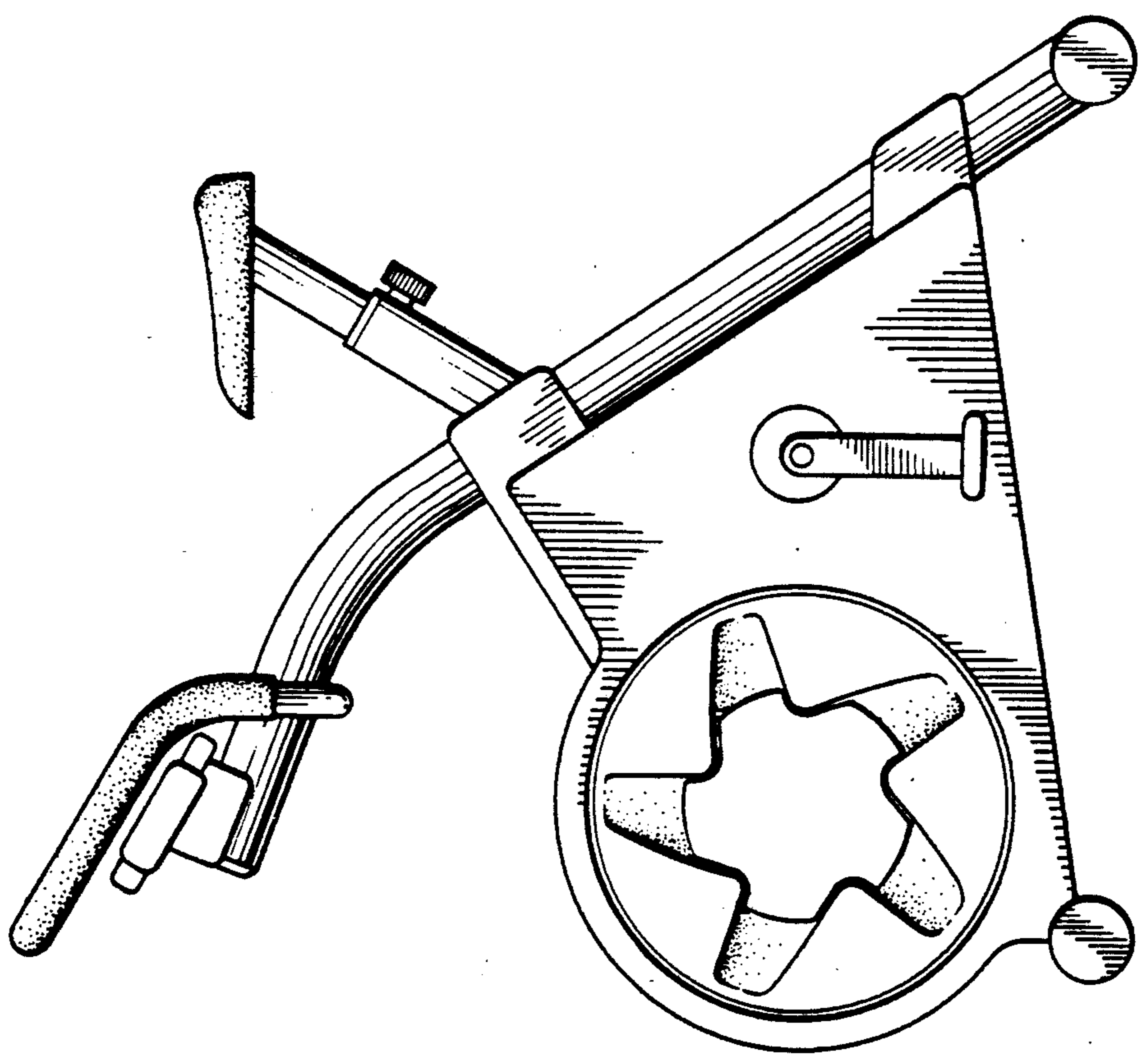


FIG. 2

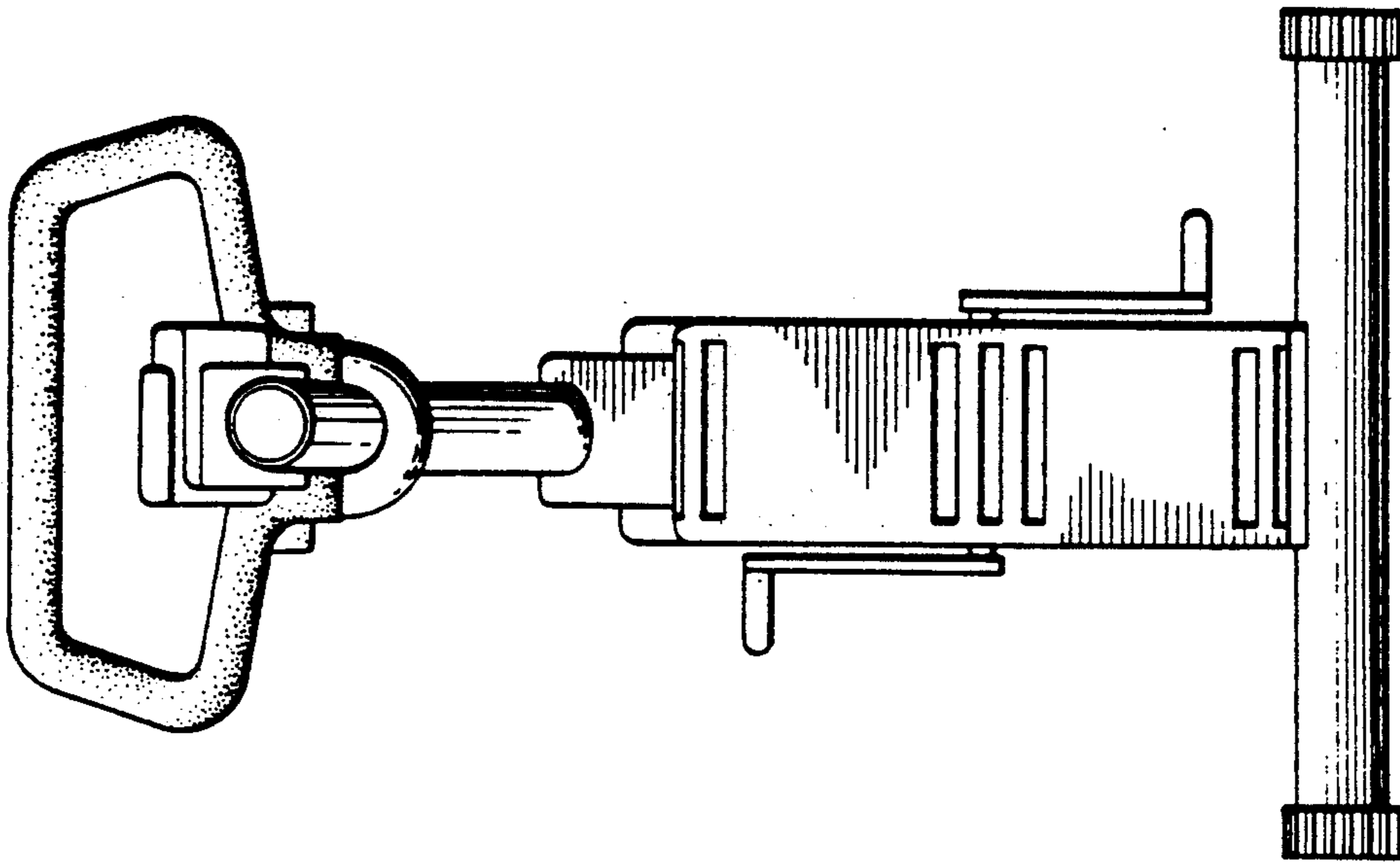


FIG. 4

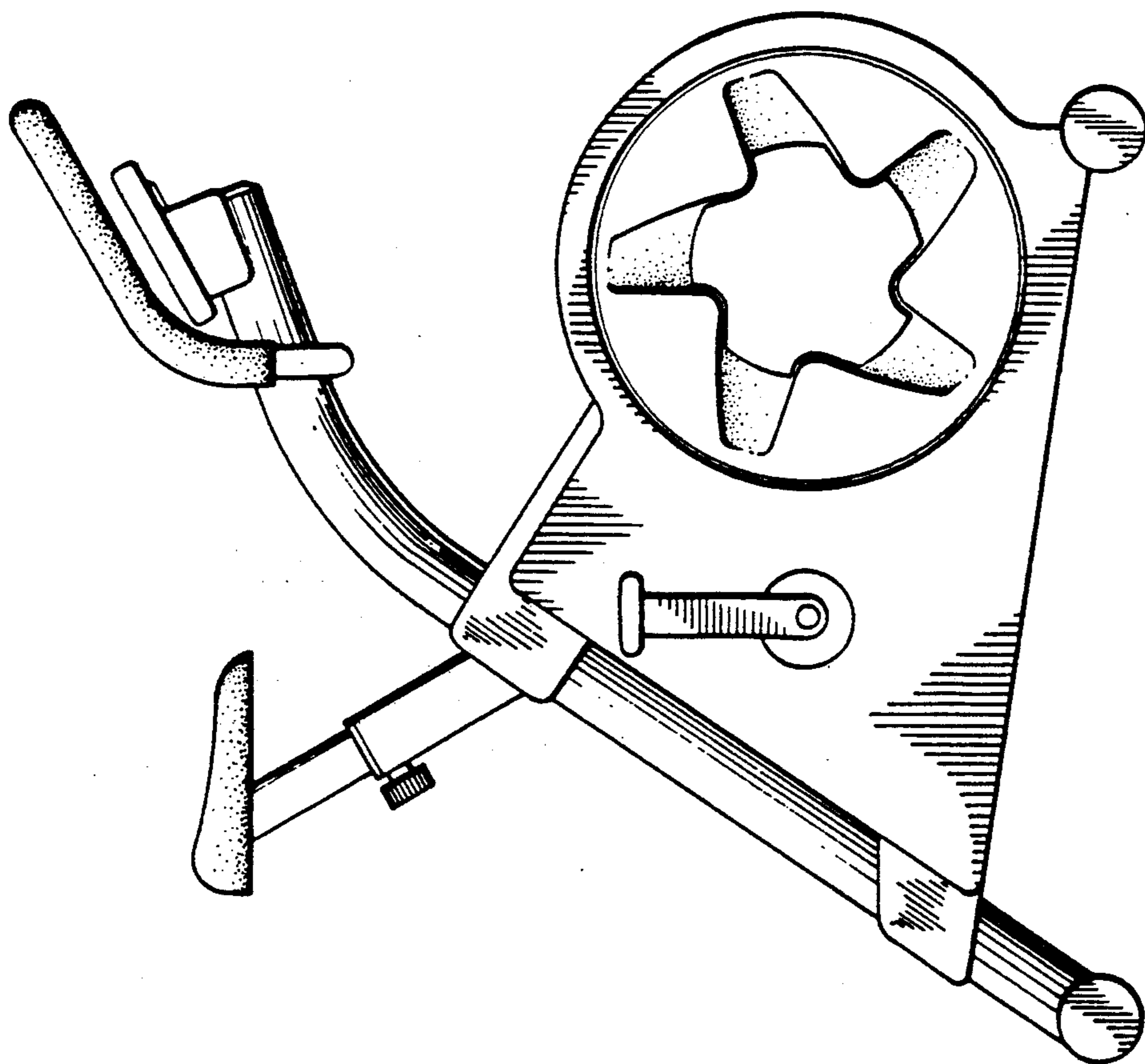


FIG. 3

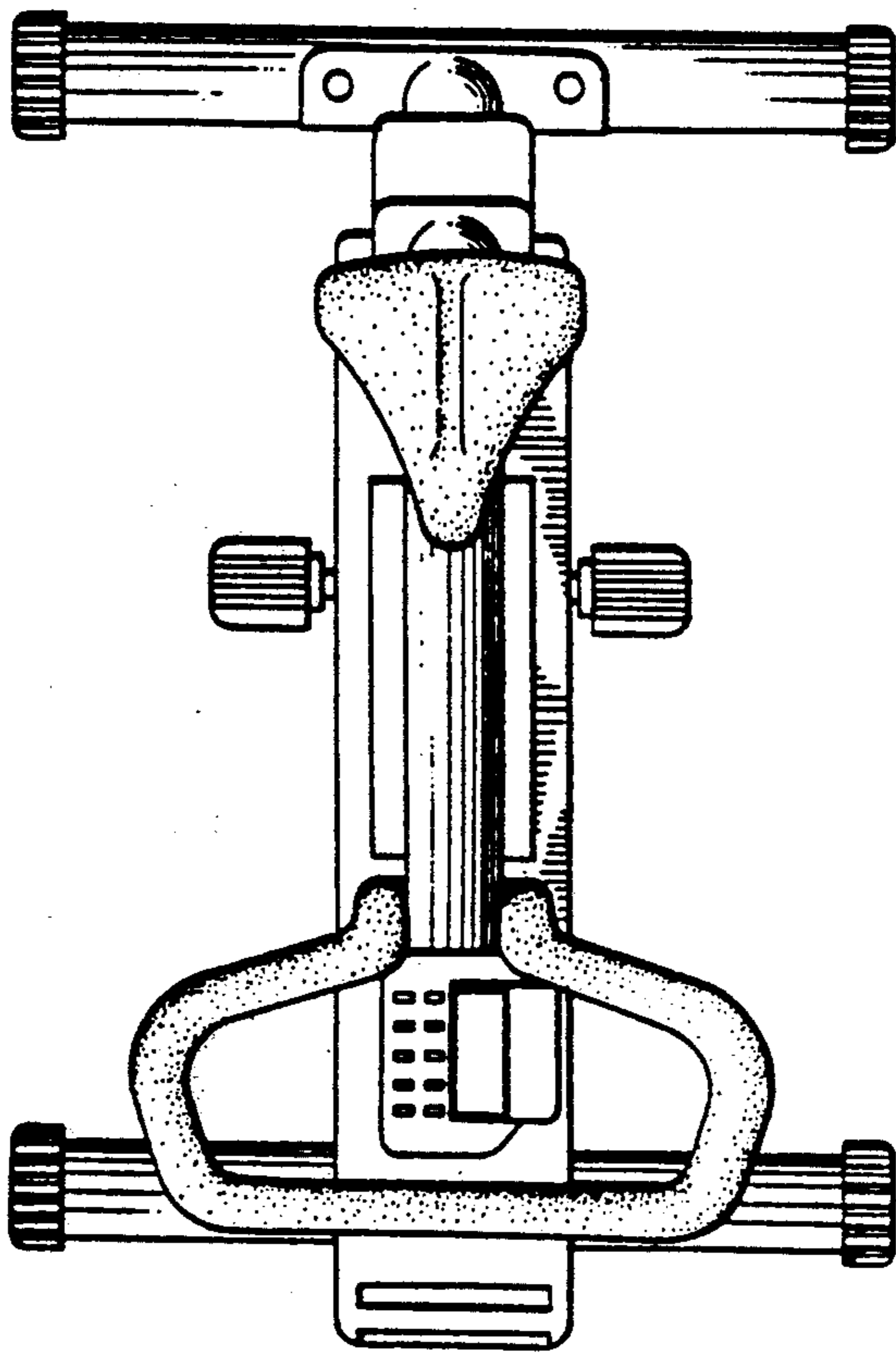


FIG. 6

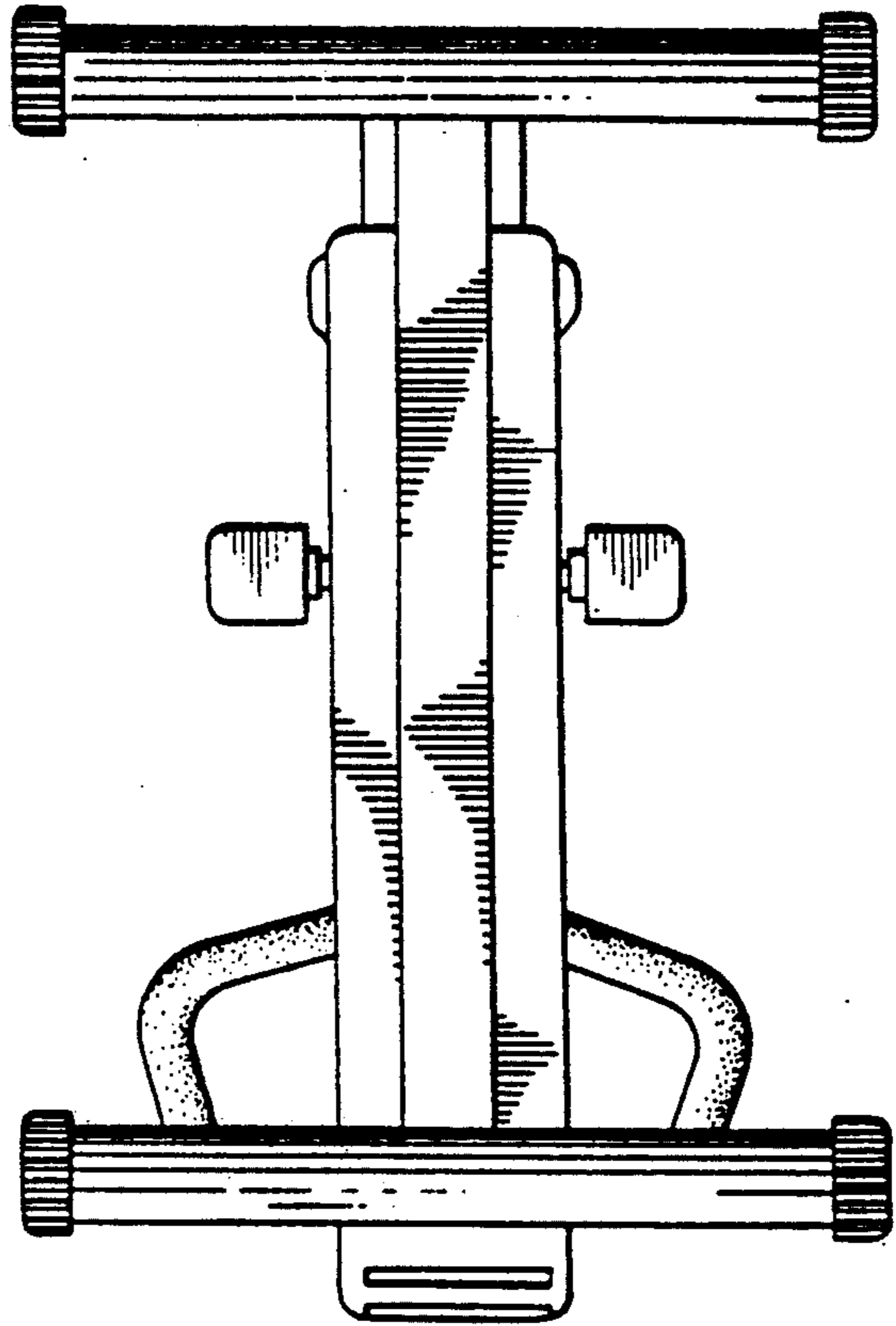


FIG. 7