



US00D334040S

# United States Patent [19]

[11] Patent Number: **Des. 334,040**

Chou et al.

[45] Date of Patent: **\*\* Mar. 16, 1993**

## [54] COMBINED CLIMBER AND SLIDING

[76] Inventors: **Fa-Chai Chou; Cheng-Jong Lin**, both of c/o Hung Hsing Patent Service Center P.O. Box 55-1670, Taipei, Taiwan

[\*\*] Term: **14 Years**

[21] Appl. No.: **760,241**

[22] Filed: **Sep. 16, 1991**

[52] U.S. Cl. .... **D21/244**

[58] Field of Search ..... **D21/243, 244, 245, 240; 472/116, 117, 130, 95**

## [56] References Cited

### U.S. PATENT DOCUMENTS

D. 78,478	9/1927	Bezark	.....	D21/244
D. 177,752	5/1956	Parker	.....	D21/244
D. 207,716	5/1967	Accorsi	.....	D21/244
D. 212,484	10/1968	Harness	.....	D21/244
D. 236,276	8/1975	Rudy	.....	D21/245
D. 294,378	2/1988	Spirk, Jr. et al.	.....	D21/244
4,378,216	3/1983	Phillips	.....	D21/244 X
4,805,898	2/1989	Jacober et al.	.....	472/117

## OTHER PUBLICATIONS

Progressive Architecture, 5-1977, p. 24, top of the page.  
Mexico Forge Cat 1984, p. 19, fire engine slide.  
Mexico Forge Cat 1984, p. 14, horse climber left of the page.  
Miracle Recreation Eqpt. Co. 1973, cat. #773 p. 42, elephant slide, bottom left of the page.

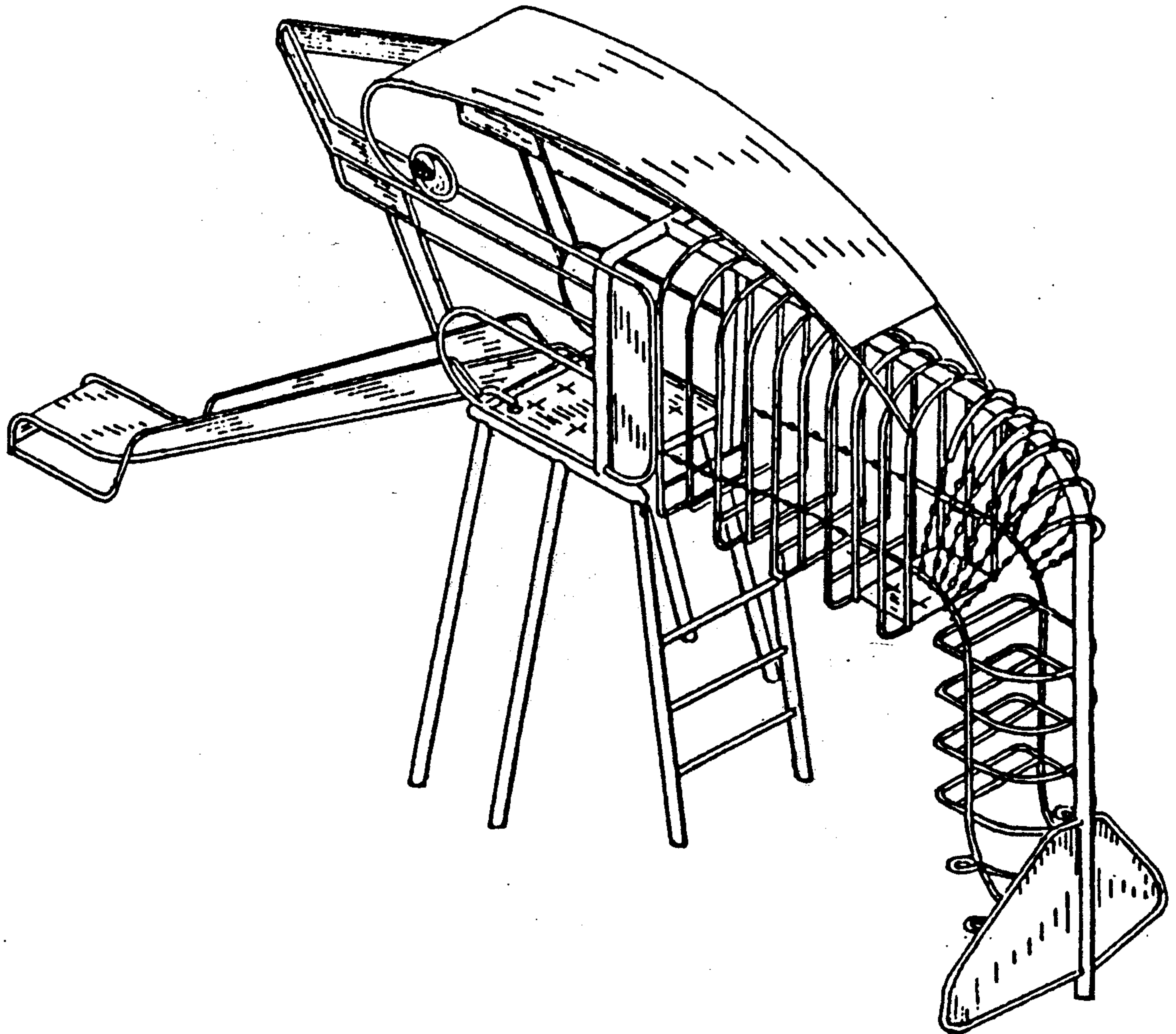
*Primary Examiner*—Bernard Ansher  
*Assistant Examiner*—Prabhakar Deshmukh

## [57] CLAIM

The ornamental design for a combined climber and sliding, as shown and described.

## DESCRIPTION

FIG. 1 is a front elevational view of a combined climber and sliding showing our new design; the rear elevational view being a mirror image thereof;  
FIG. 2 is a left side elevational view thereof;  
FIG. 3 is a right side elevational view thereof;  
FIG. 4 is a top plan view thereof;  
FIG. 5 is a bottom plan view thereof; and,  
FIG. 6 is a perspective view thereof.



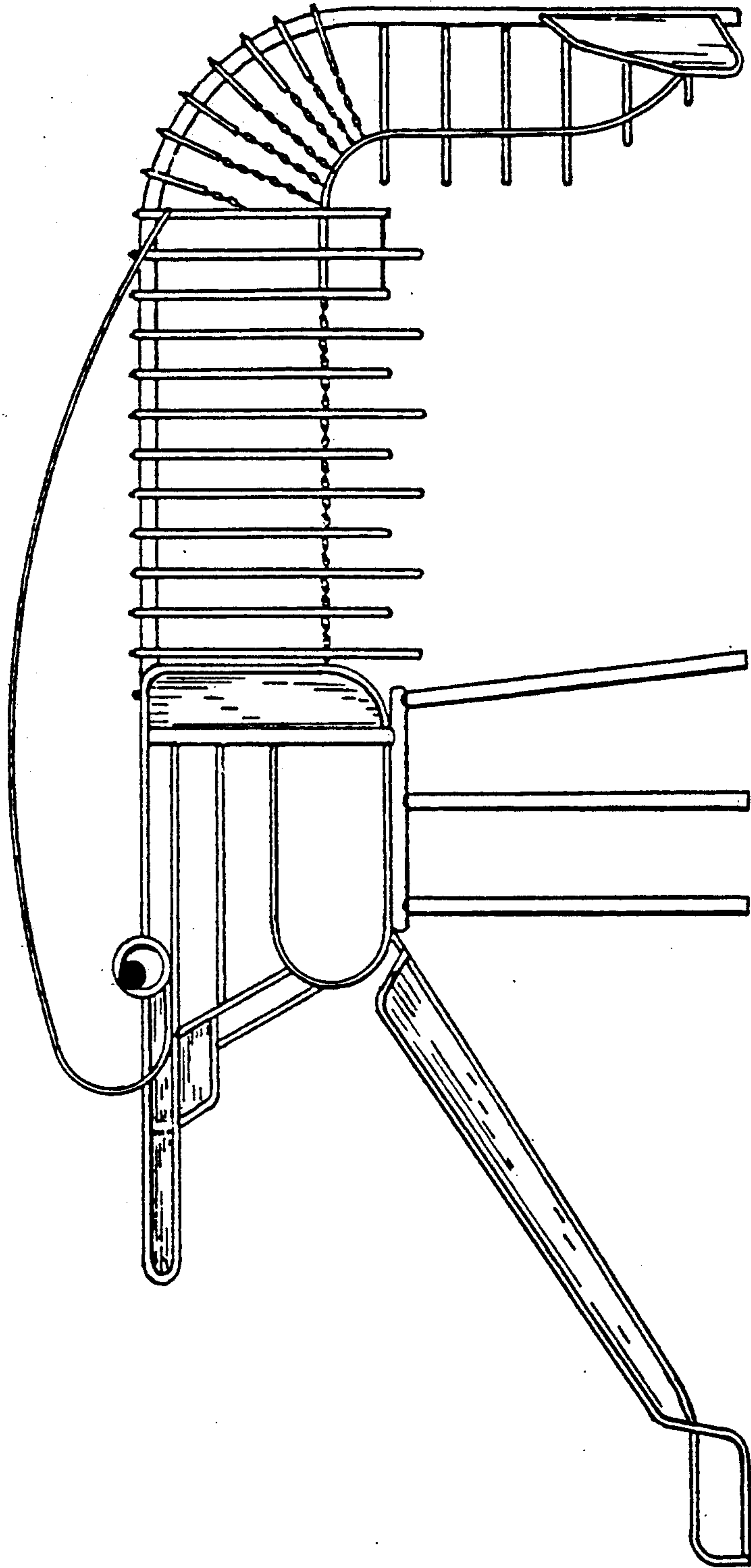


FIG. 1

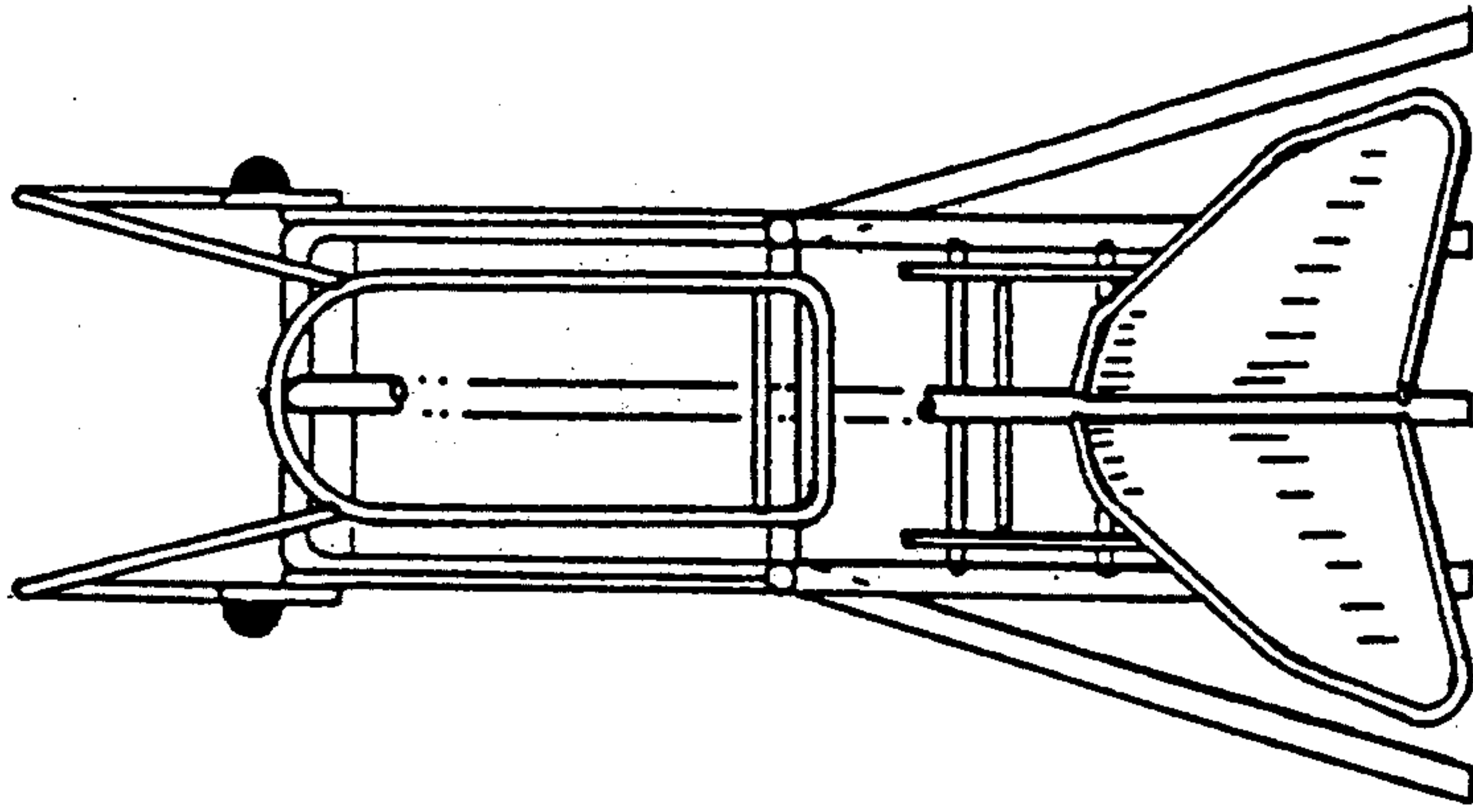


FIG. 2

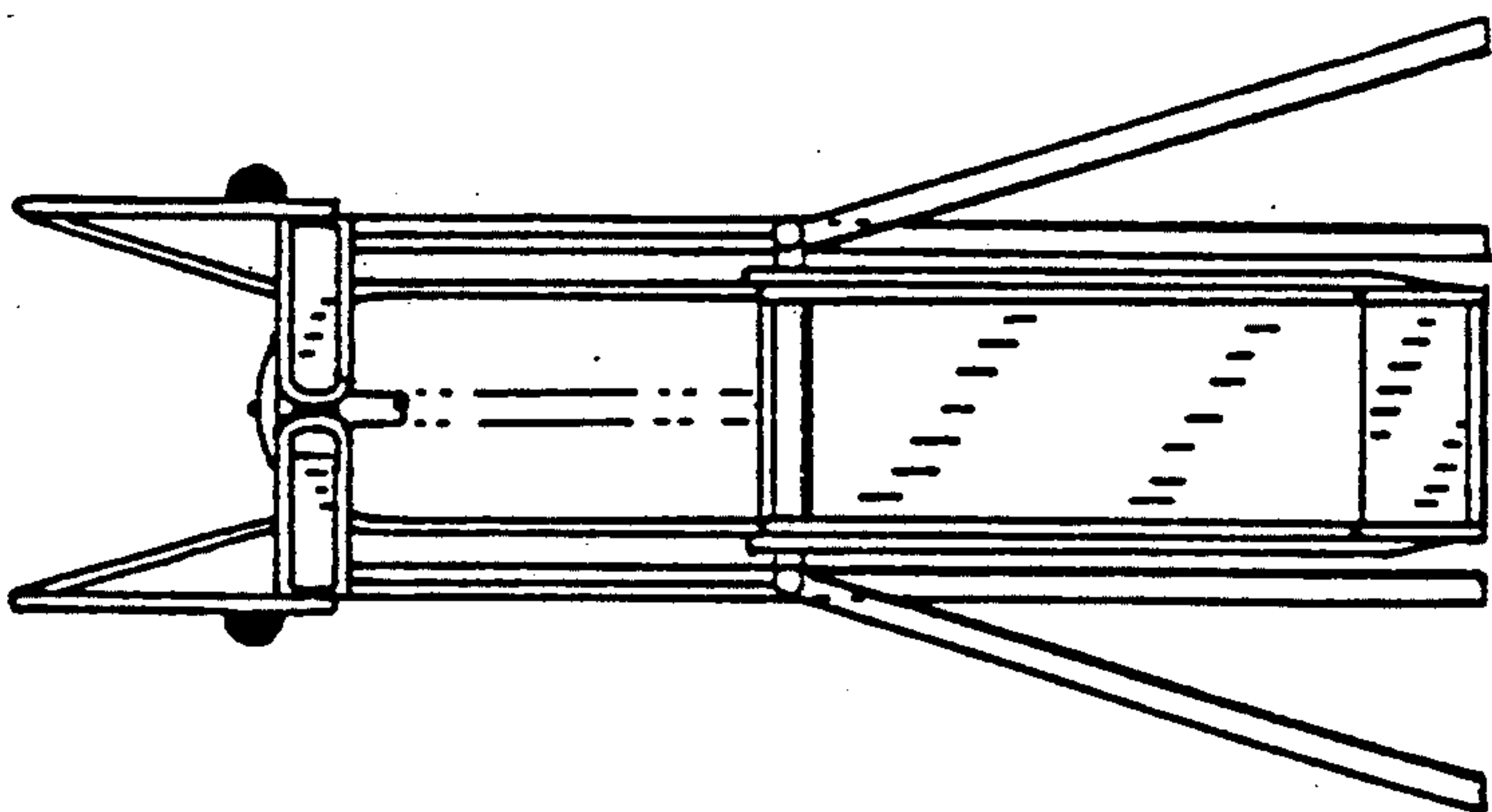


FIG. 3

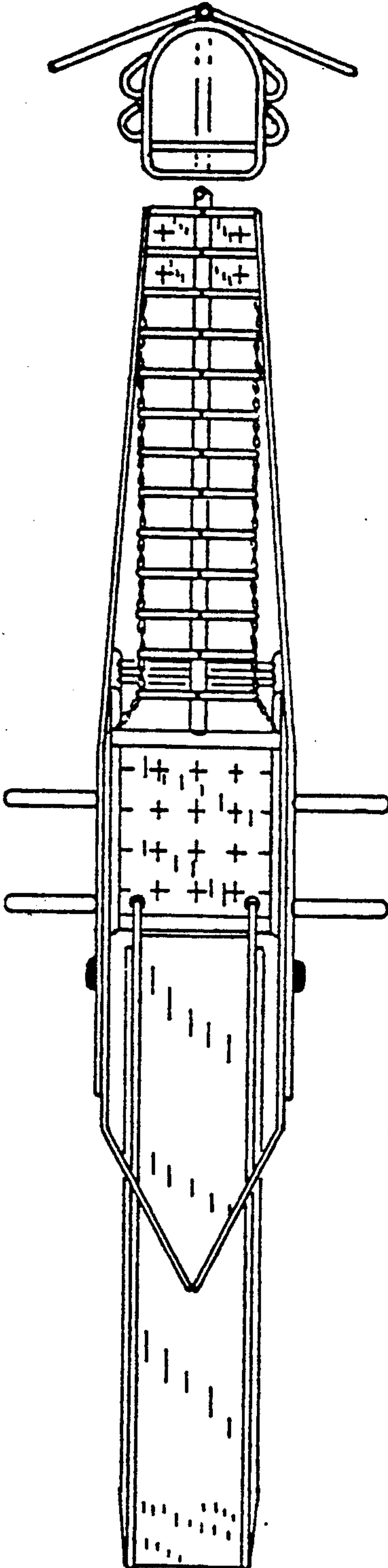


FIG.4

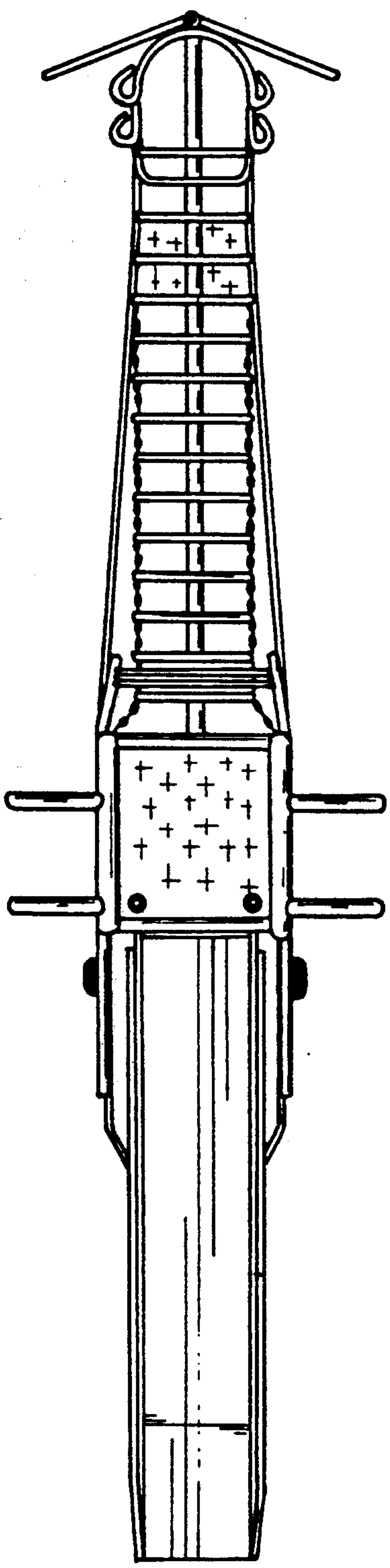


FIG. 5



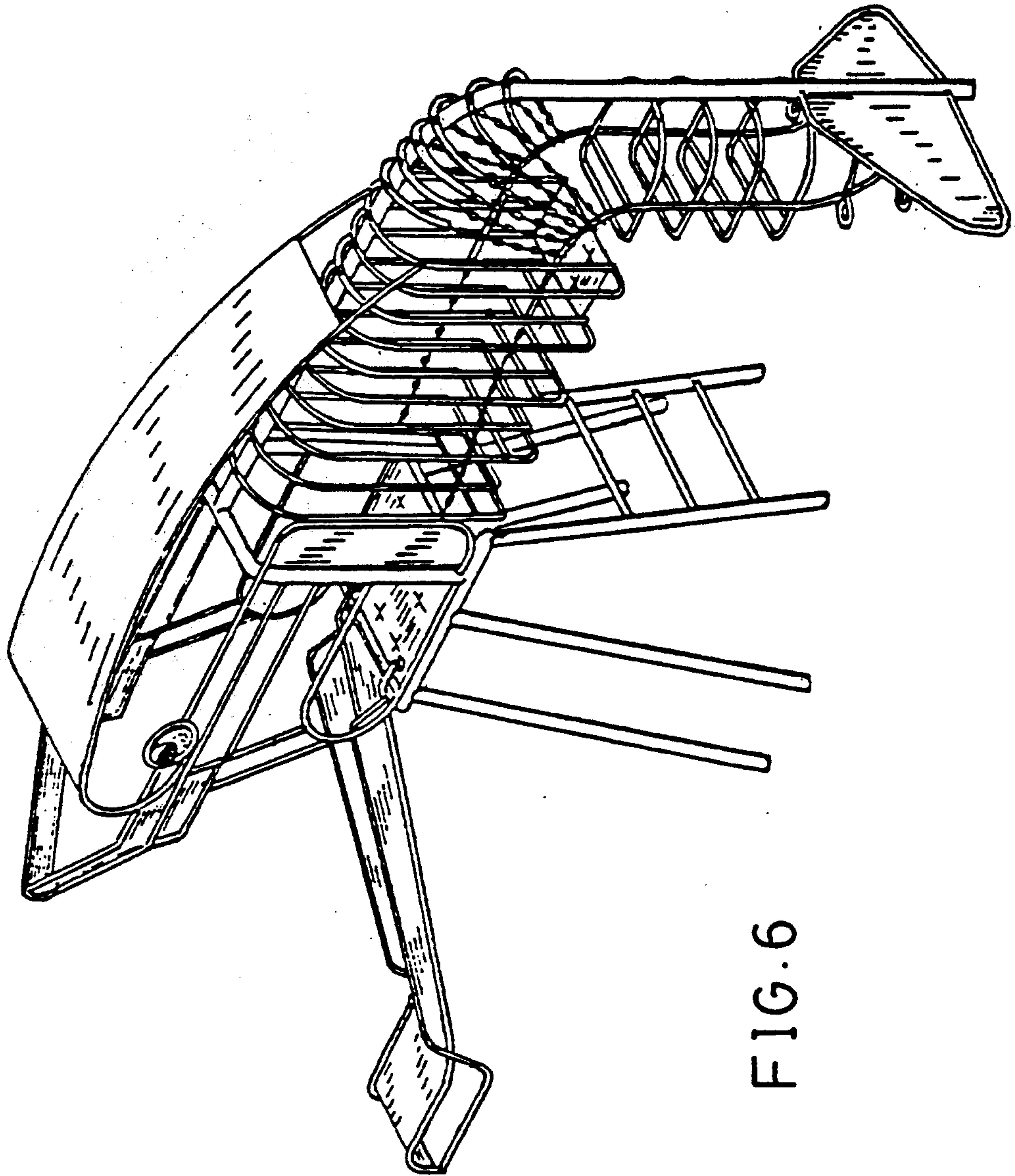


FIG. 6