



US00D334035S

United States Patent [19]

[11] Patent Number: **Des. 334,035**

Doyal

[45] Date of Patent: ** Mar. 16, 1993

[54] RING POST PUZZLE

[76] Inventor: **Sam H. Doyal**, P.O. Box 108 Rte. 6
Hulsey Dr., Ringgold, Ga. 30736

[**] Term: **14 Years**

[21] Appl. No.: **718,824**

[22] Filed: **Jun. 21, 1991**

[52] U.S. Cl. **D21/104; D21/107**

[58] Field of Search **D21/104-107;**
D11/141; 273/153 R, 154, 156, 157 R, 158;
428/33

FOREIGN PATENT DOCUMENTS

385643 1/1933 United Kingdom .
524102 7/1940 United Kingdom .

Primary Examiner—Bernard Ansher
Assistant Examiner—Dominic Simone
Attorney, Agent, or Firm—Terry M. Gernstein

[57] CLAIM

The ornamental design for a ring post puzzle, as shown and described.

DESCRIPTION

FIG. 1 is a perspective view of a ring post puzzle showing my new design;

FIG. 2 is a front elevational view thereof the rear being identical;

FIG. 3 is a side elevational view thereof, the opposite side being identical;

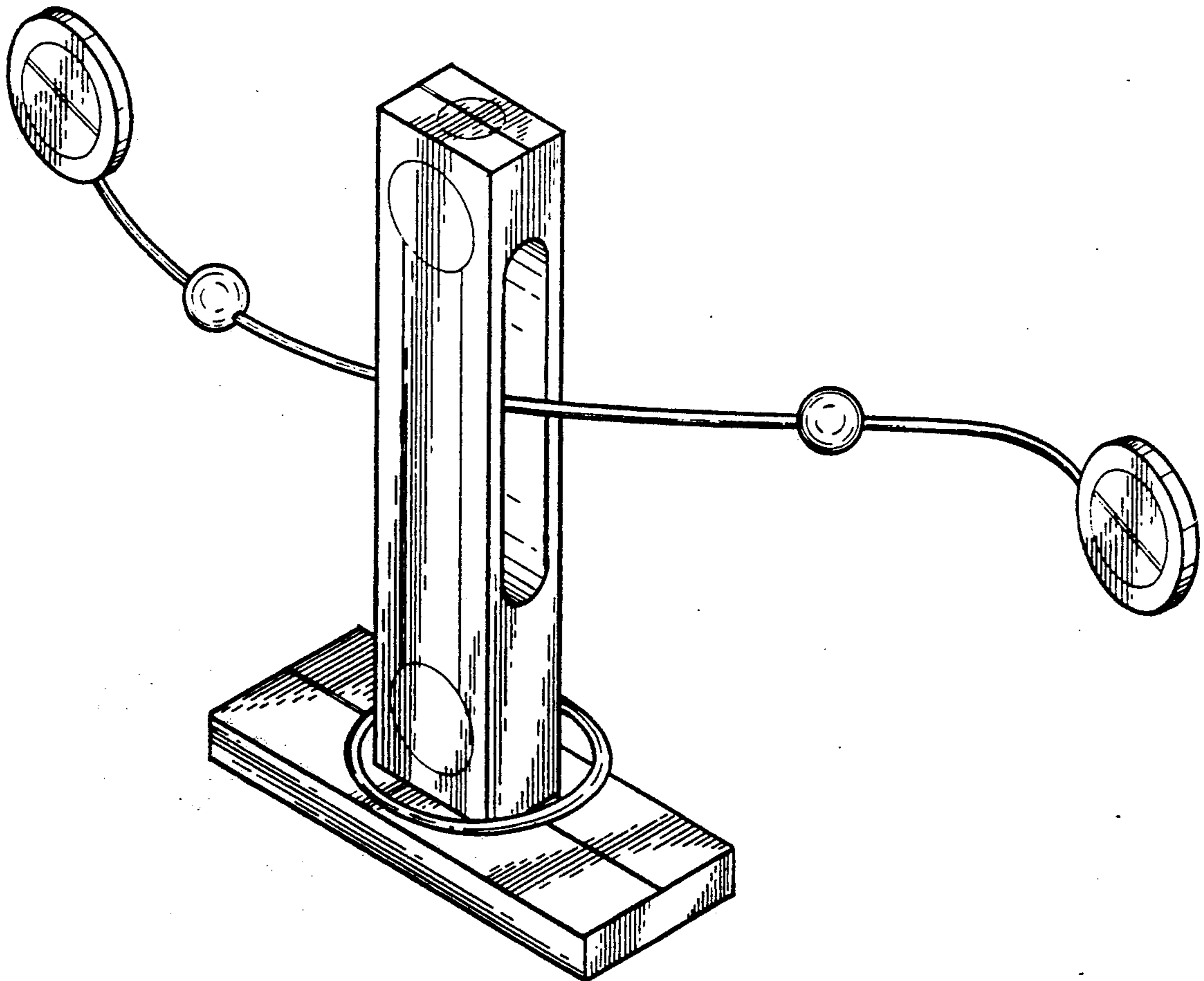
FIG. 4 is a top plan view thereof; and,

FIG. 5 is a bottom plan view thereof.

[56] References Cited

U.S. PATENT DOCUMENTS

D. 263,063	2/1982	Natsui	D11/141 X
D. 274,920	7/1984	Pendergart	D21/106
D. 280,918	10/1985	Hallmark	D21/106
3,744,798	7/1973	Schmid	273/159
3,958,807	5/1976	Hand	273/159
3,997,168	12/1976	Paige	273/159



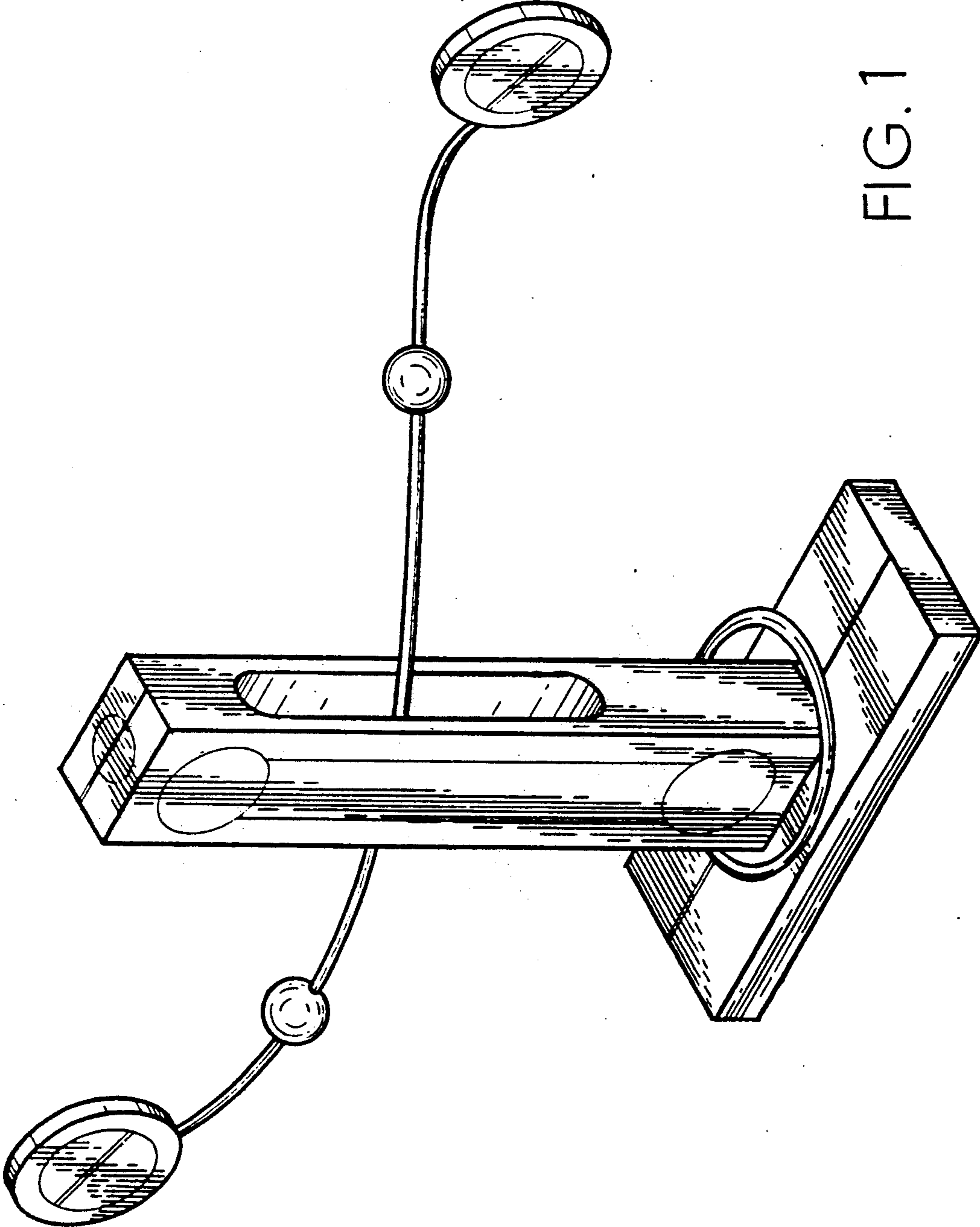


FIG. 1

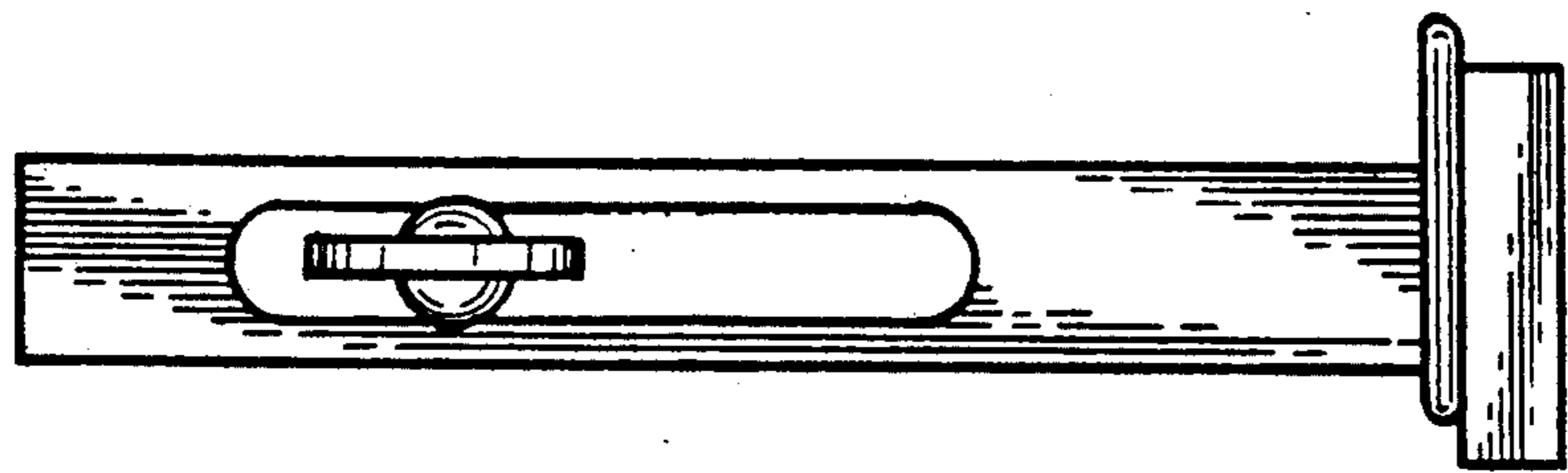


FIG. 3

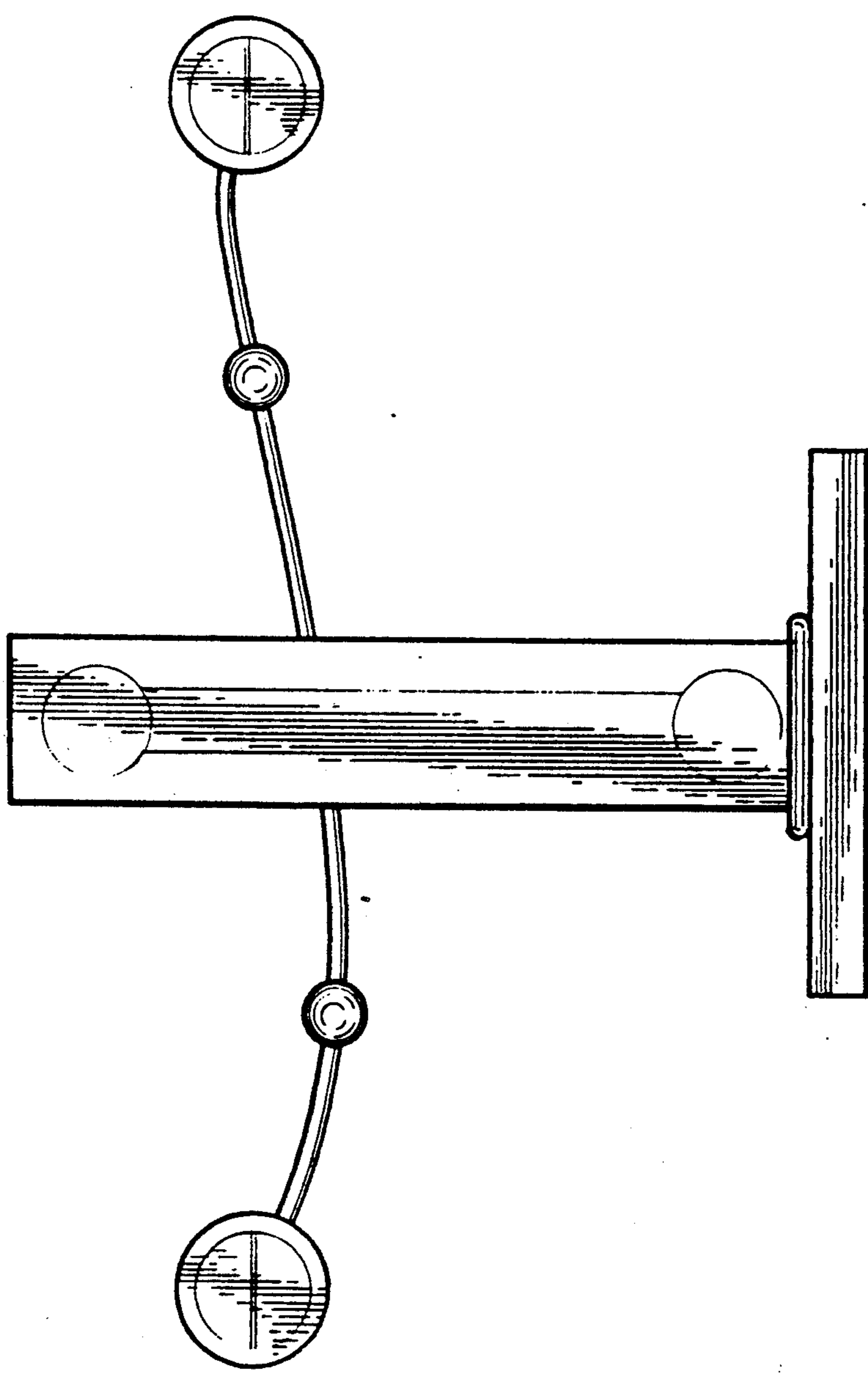


FIG. 2

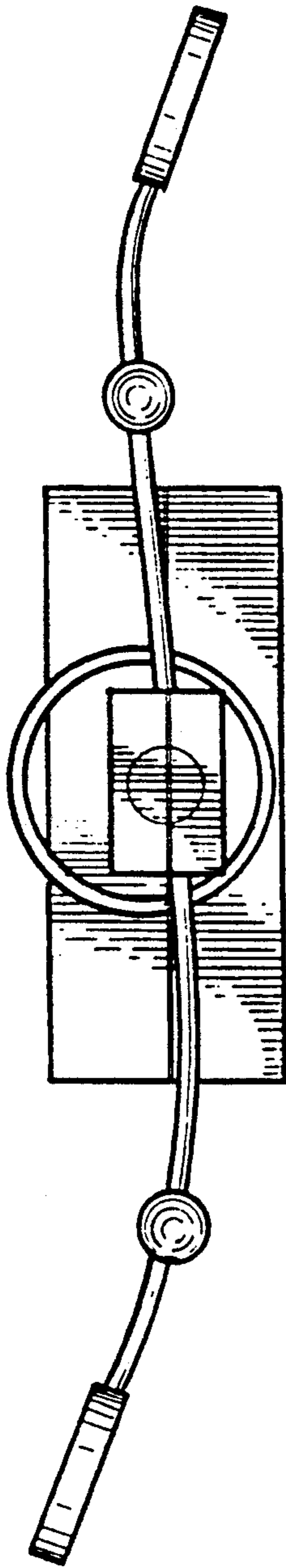


FIG. 4

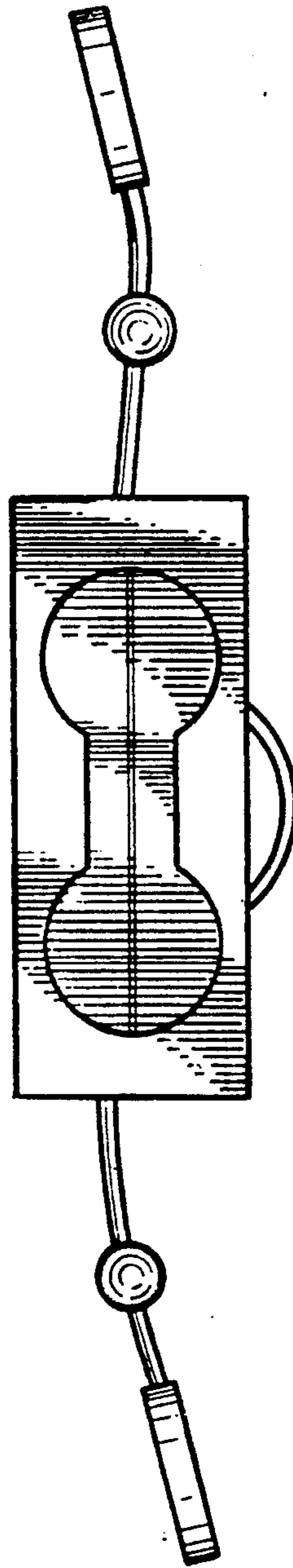


FIG. 5