



US00D334018S

United States Patent [19]

[11] Patent Number: **Des. 334,018**

Hoon

[45] Date of Patent: **** Mar. 16, 1993**

[54] COMPONENT MOUNTING INSTRUMENT FOR MEMORY BOARD

4,843,712	7/1989	Hellstern	29/741 X
5,036,582	8/1991	Usui	29/741 X
5,105,533	4/1992	Essig	29/741
5,123,154	6/1992	Maskens et al.	29/741 X

[76] Inventor: **Jung C. Hoon**, 7-1107 Shindonga Apt., 988-1 Pangbae Dong Socho Ku, Seoul, Rep. of Korea

Primary Examiner—Alan P. Douglas
Assistant Examiner—Antoine D. Davis
Attorney, Agent, or Firm—Lahive & Cockfield

[**] Term: **14 Years**

[57] CLAIM

[21] Appl. No.: **655,897**

The ornamental design for a component mounting instrument for memory board, as shown and described.

[22] Filed: **Feb. 14, 1991**

DESCRIPTION

[30] Foreign Application Priority Data

Nov. 7, 1990 [KR]	Rep. of Korea	90-15595
[52] U.S. Cl.		D15/199
[58] Field of Search	D15/199; 29/729, 739,	29/741, DIG. 102

FIG. 1 is a top, front and left side perspective view of a component mounting instrument for memory board showing my new design;
 FIG. 2 is a perspective view, the broken line showing of a table is for environmental purposes only and forms no part of the claimed design;
 FIG. 3 is a front elevational view;
 FIG. 4 is a rear elevational view;
 FIG. 5 is a top plan view;
 FIG. 6 is a bottom plan view;
 FIG. 7 is a left side elevational view; and,
 FIG. 8 is a right side elevational view thereof.

[56] References Cited

U.S. PATENT DOCUMENTS

D. 277,761	2/1985	Korovin et al.	D15/199 X
D. 278,345	4/1985	Gordon et al.	D15/199
4,372,802	2/1983	Hariganc et al.	29/729 X
4,455,735	6/1984	Scrantom	D15/199 X
4,670,977	6/1987	Scrantom et al.	D15/199 X

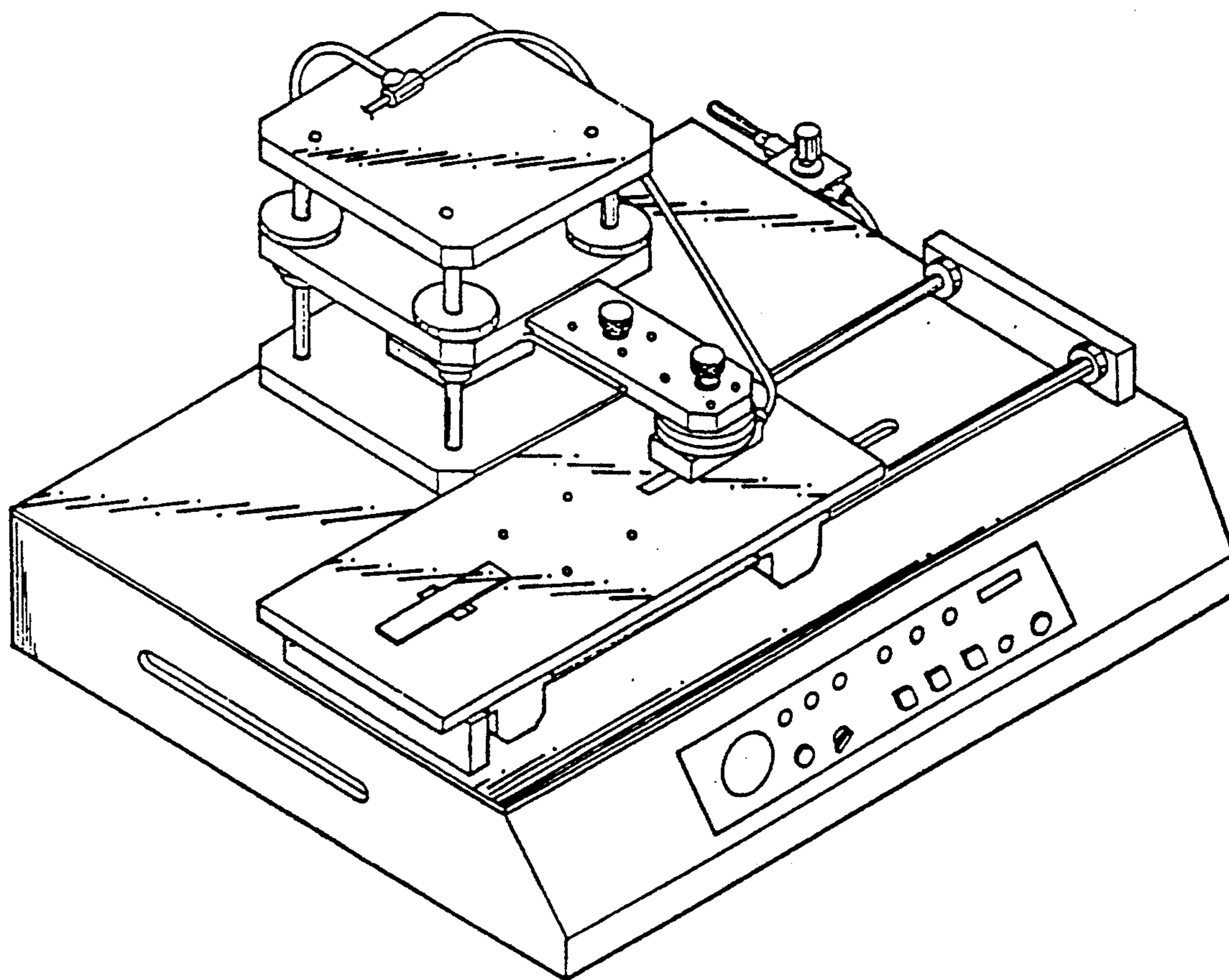


FIG 1

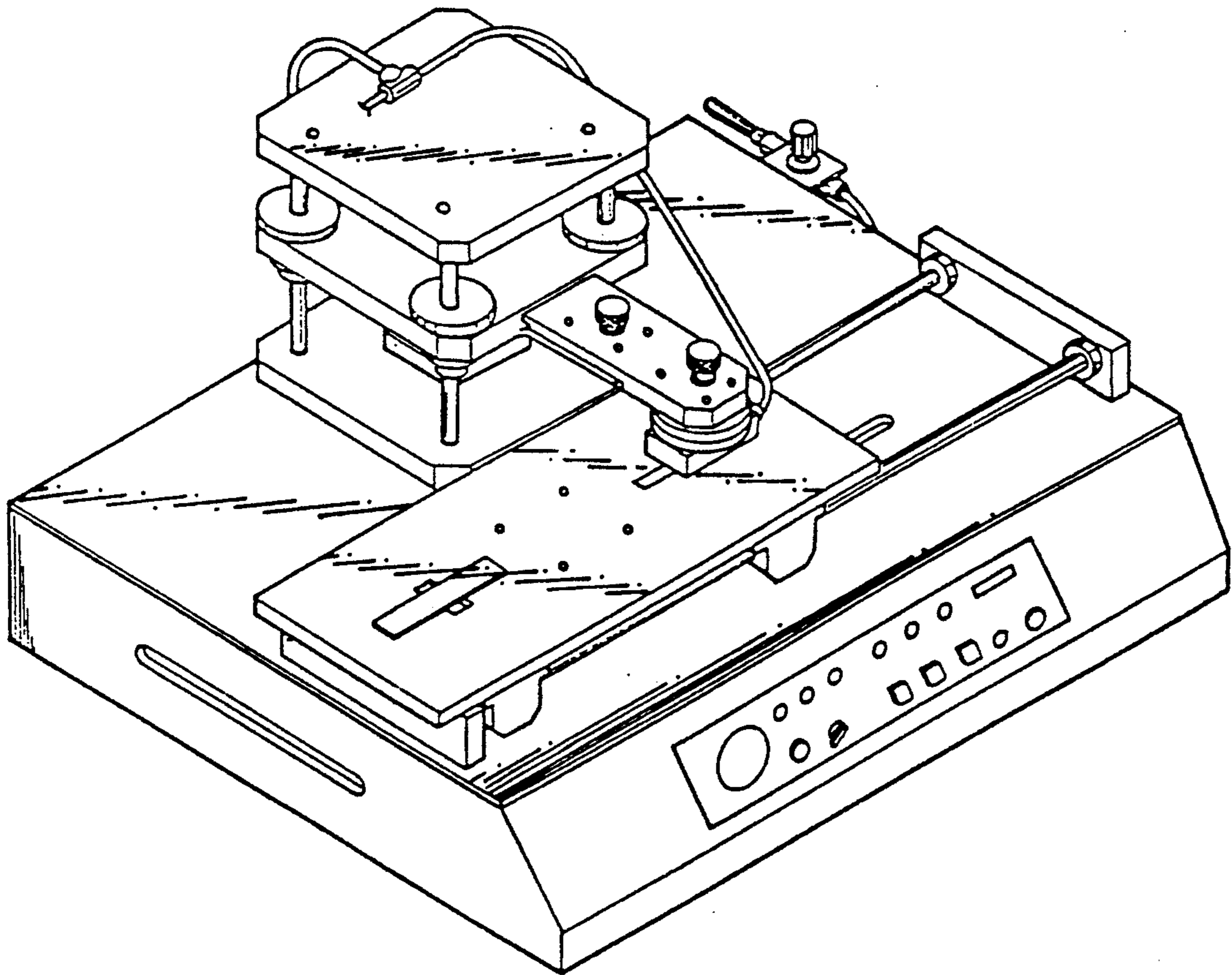


FIG 2

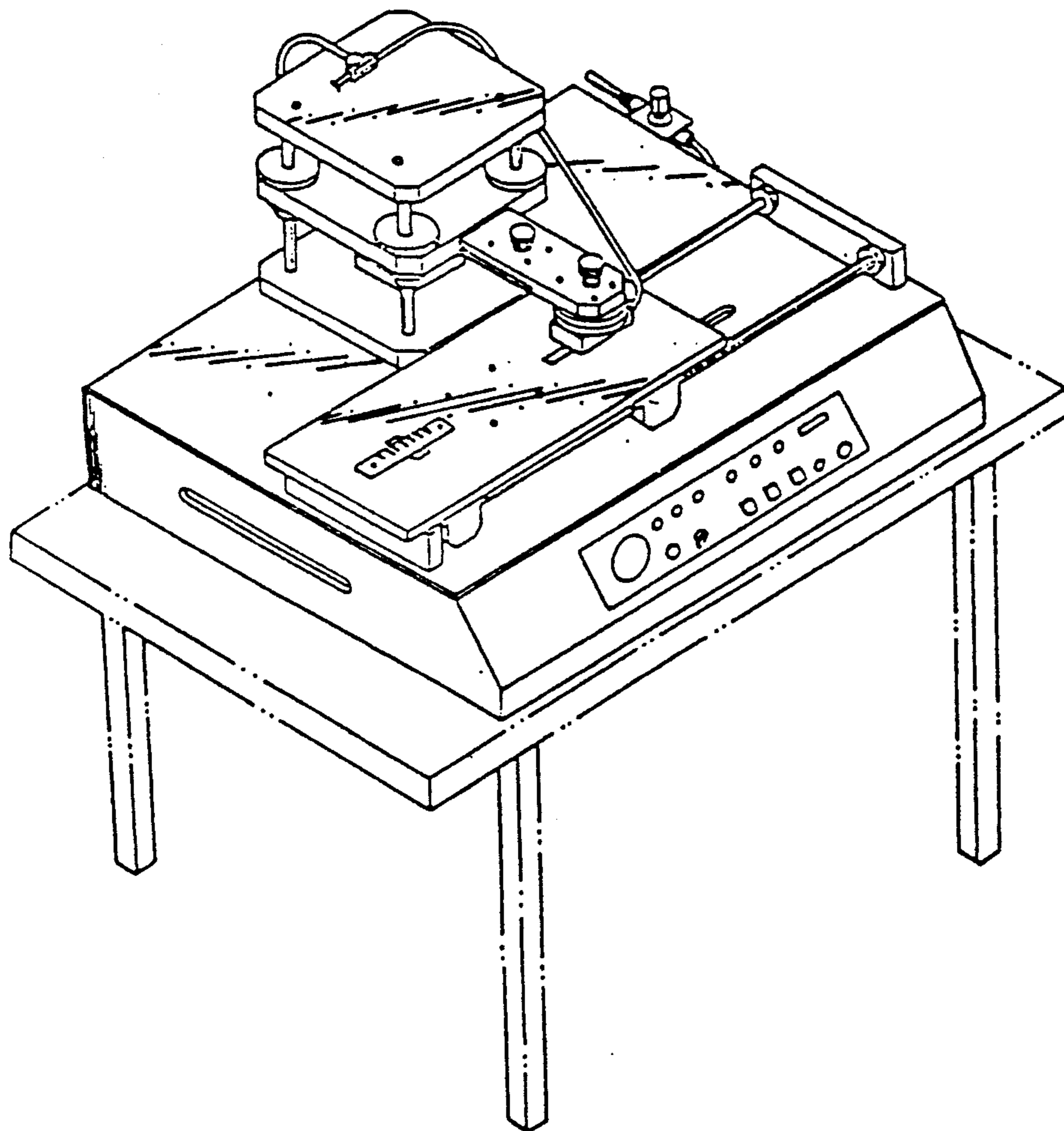


FIG 3

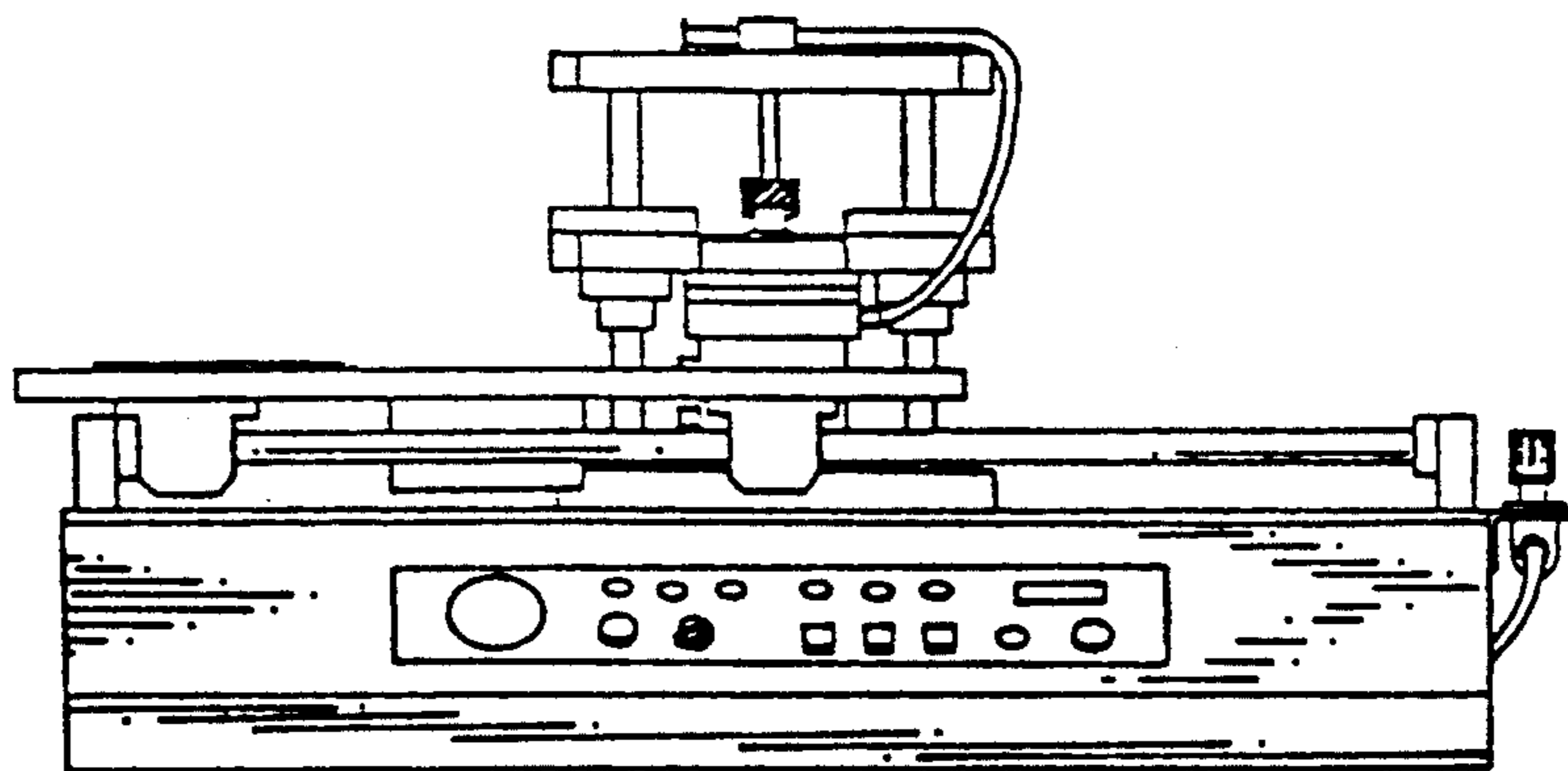


FIG 4

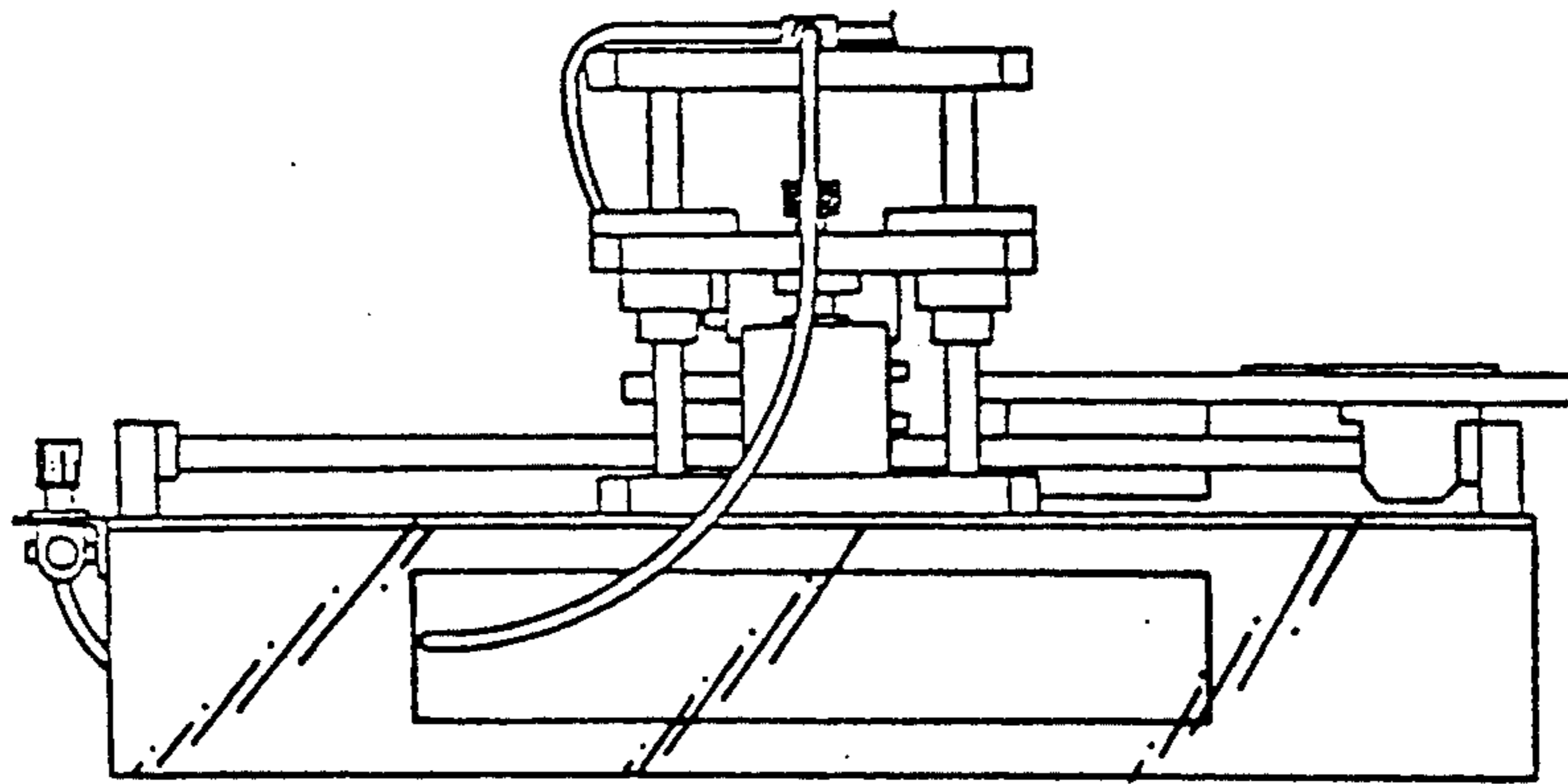


FIG 5

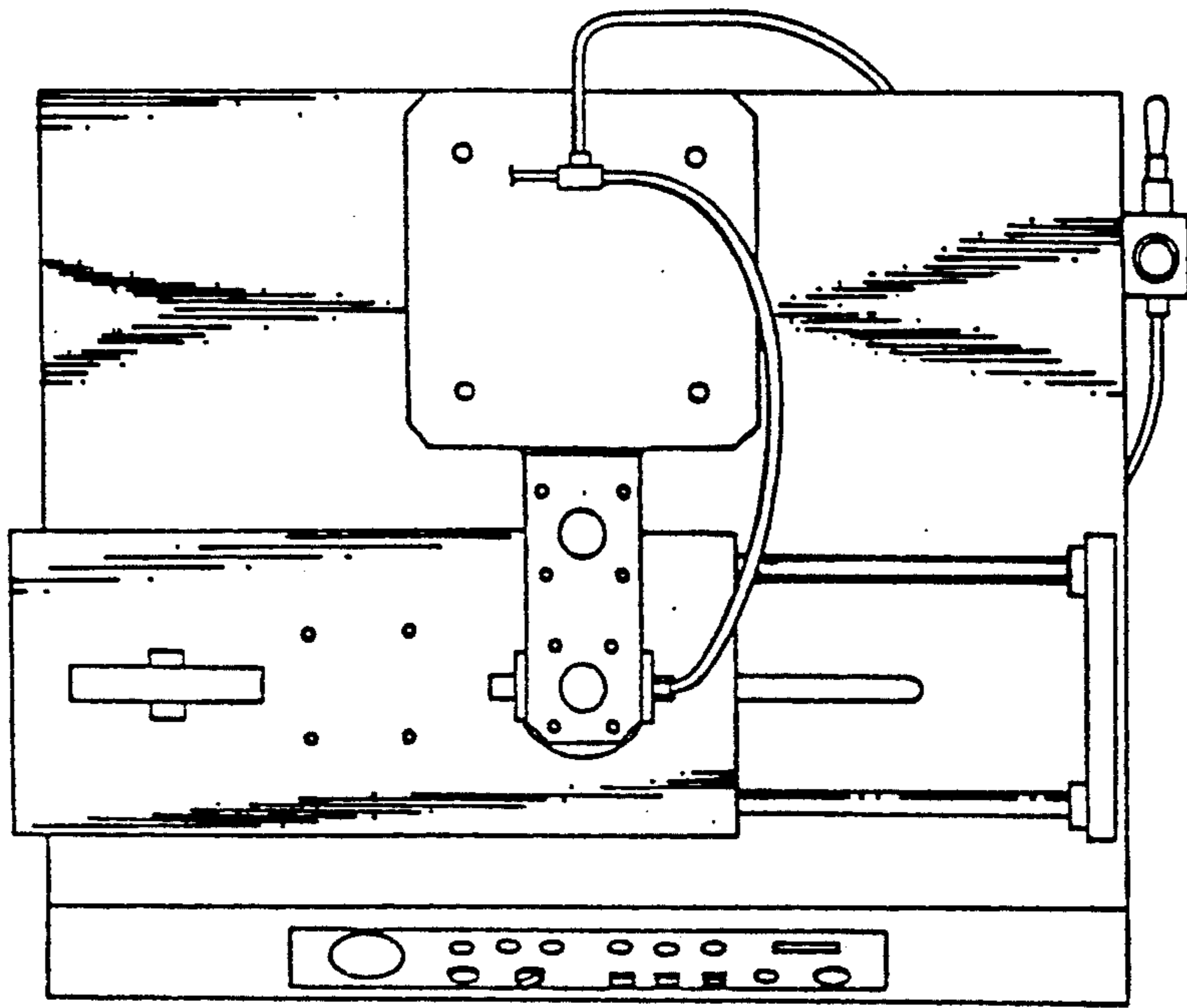


FIG 6

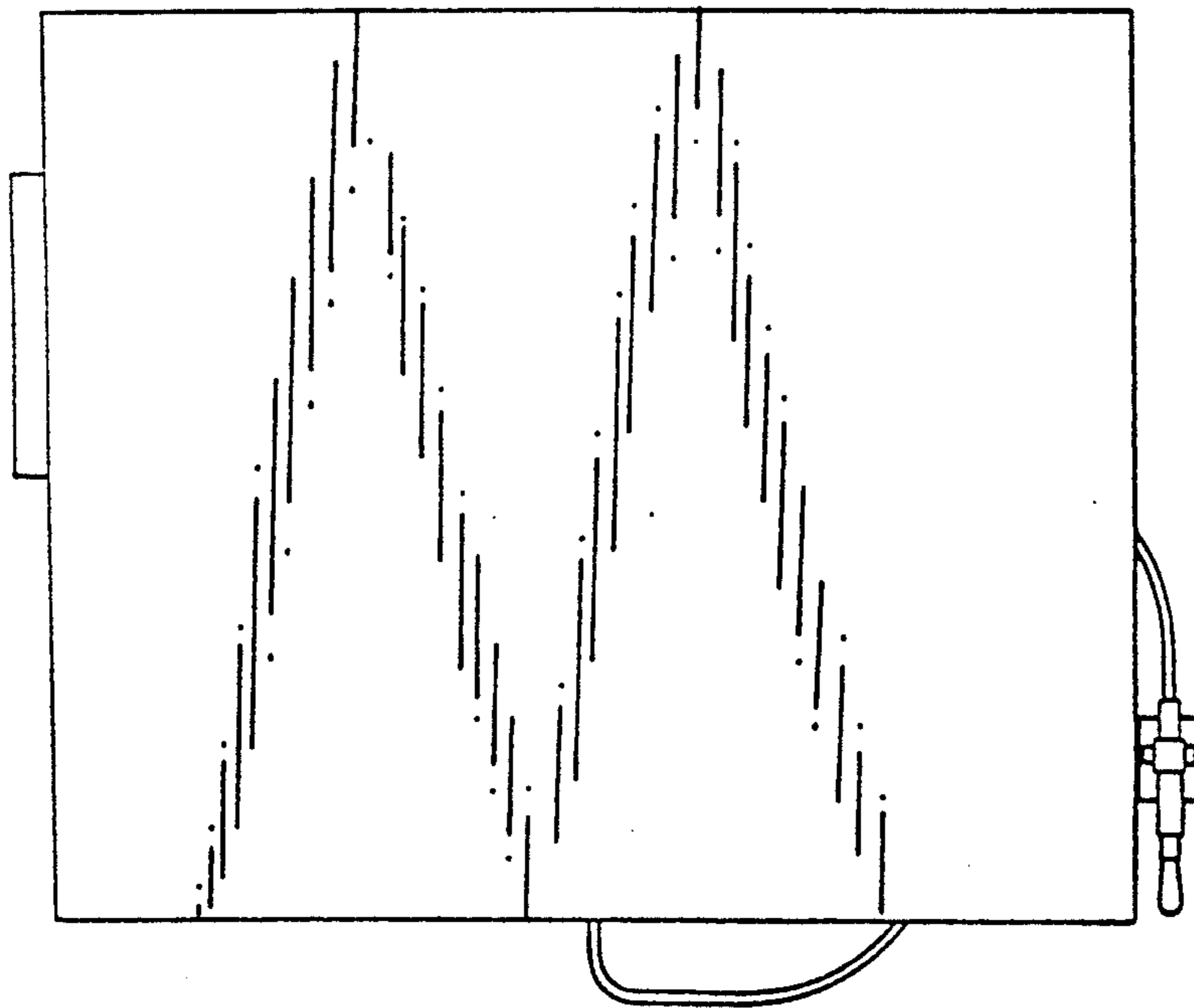


FIG 7

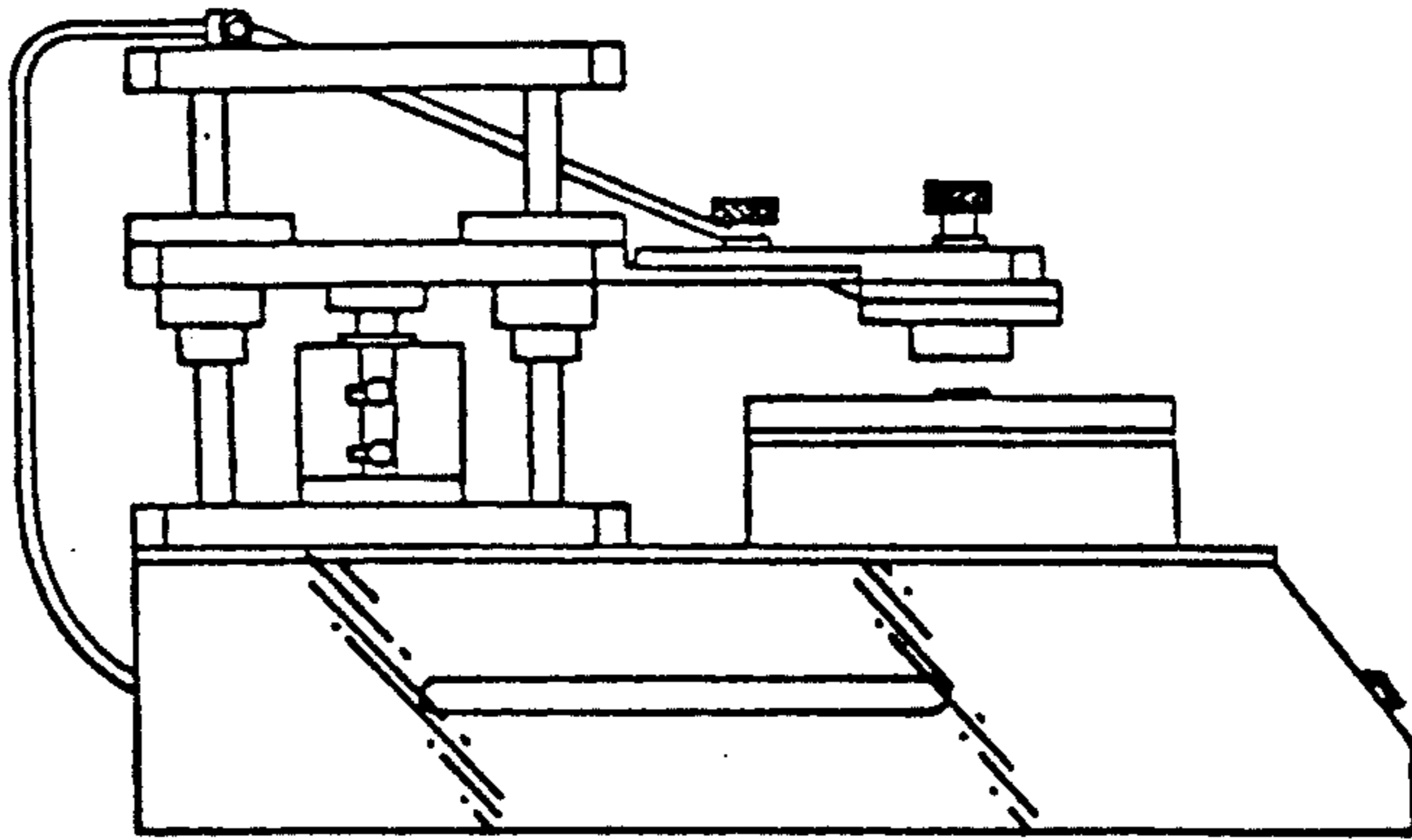


FIG 8

