



US00D334017S

# United States Patent [19]

[11] Patent Number: **Des. 334,017**

Mummaw et al.

[45] Date of Patent: **\*\* Mar. 16, 1993**

[54] **DRILL BASE FOR DETACHABLY SECURING TO VARIOUS SIZE PIPES**

4,936,720 6/1990 Dolatowski et al. .... 408/75  
5,051,044 9/1991 Allen ..... 408/92

[75] Inventors: **Richard A. Mummaw; Carl E. Wise,**  
both of Jacksonville, Fla.

*Primary Examiner*—Alan P. Douglas  
*Assistant Examiner*—Antoine D. Davis  
*Attorney, Agent, or Firm*—Arthur G. Yeager

[73] Assignee: **Triple "R" Specialty of Jax., Inc.,**  
Jacksonville, Fla.

[57] **CLAIM**

[\*\*] Term: **14 Years**

The ornamental design for a drill base for detachably securing to various size pipes, as shown and described.

[21] Appl. No.: **756,754**

**DESCRIPTION**

[22] Filed: **Sep. 9, 1991**

[52] U.S. Cl. .... **D15/140**

[58] Field of Search ..... **D15/139, 140, 141, 142,**  
**D15/199; 408/16, 75, 76, 92, 100, 111, 712**

FIG. 1 is a top, front and right side perspective view of a drill base for detachably securing to various size pipes showing our new design;

FIG. 2 is a top plan view thereof;

FIG. 3 is a bottom plan view thereof;

FIG. 4 is a right side elevational view thereof;

FIG. 5 is a left side elevational view thereof;

FIG. 6 is a front elevational view thereof; and,

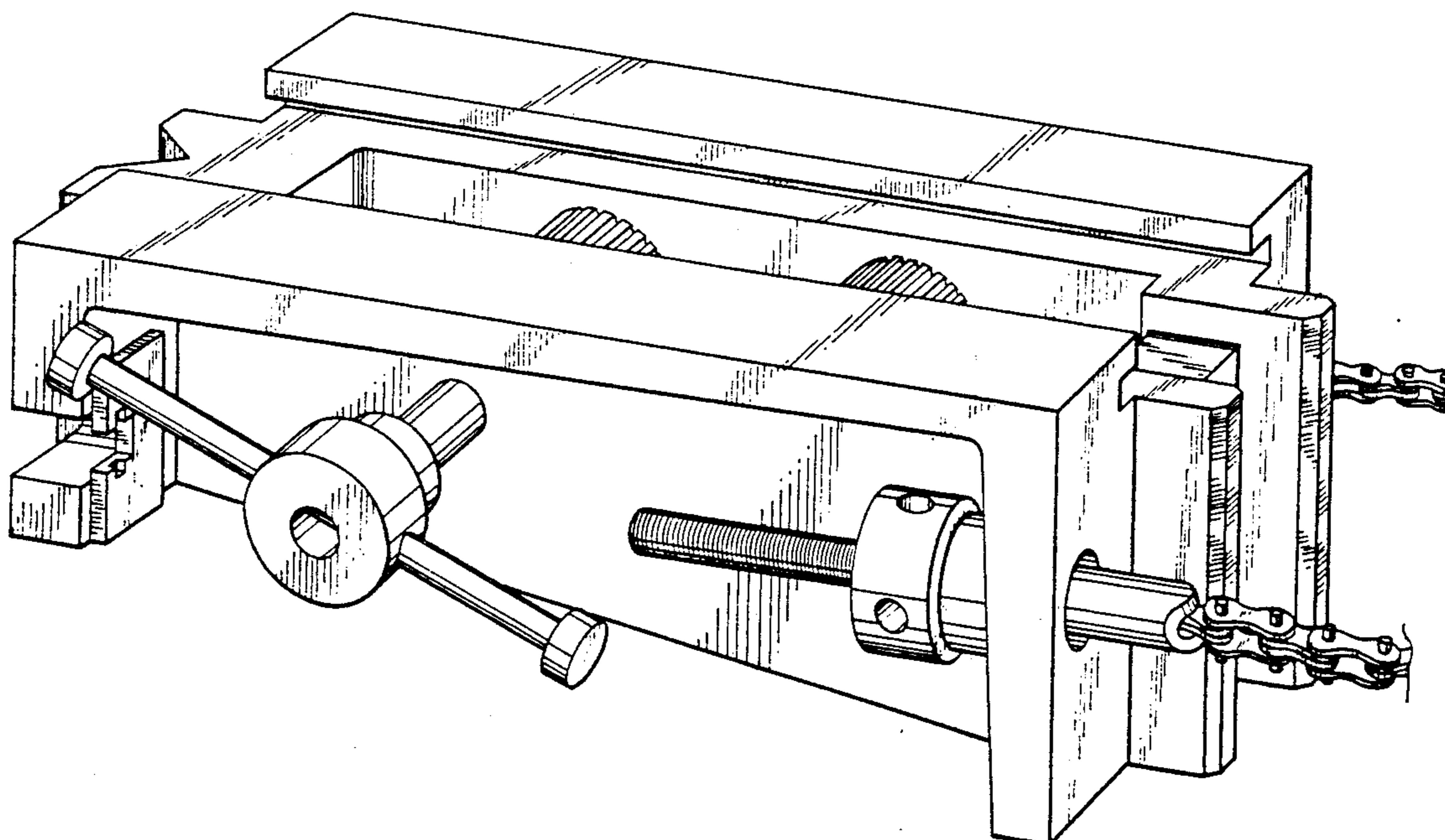
FIG. 7 is a rear elevational view thereof.

Portions of the chain loop have been eliminated in FIG. 1 for ease of illustration, while the threaded tightener and chain loop have been eliminated in FIGS. 2-7 for ease of illustration.

[56] **References Cited**

**U.S. PATENT DOCUMENTS**

D. 230,504	2/1974	Gentry et al. ....	D15/199
D. 266,522	10/1982	Norris et al. ....	D15/199 X
3,741,670	6/1973	Wood .....	408/92
3,967,687	7/1976	Fowler .....	408/92 X
4,533,284	8/1985	Agius et al. ....	408/92



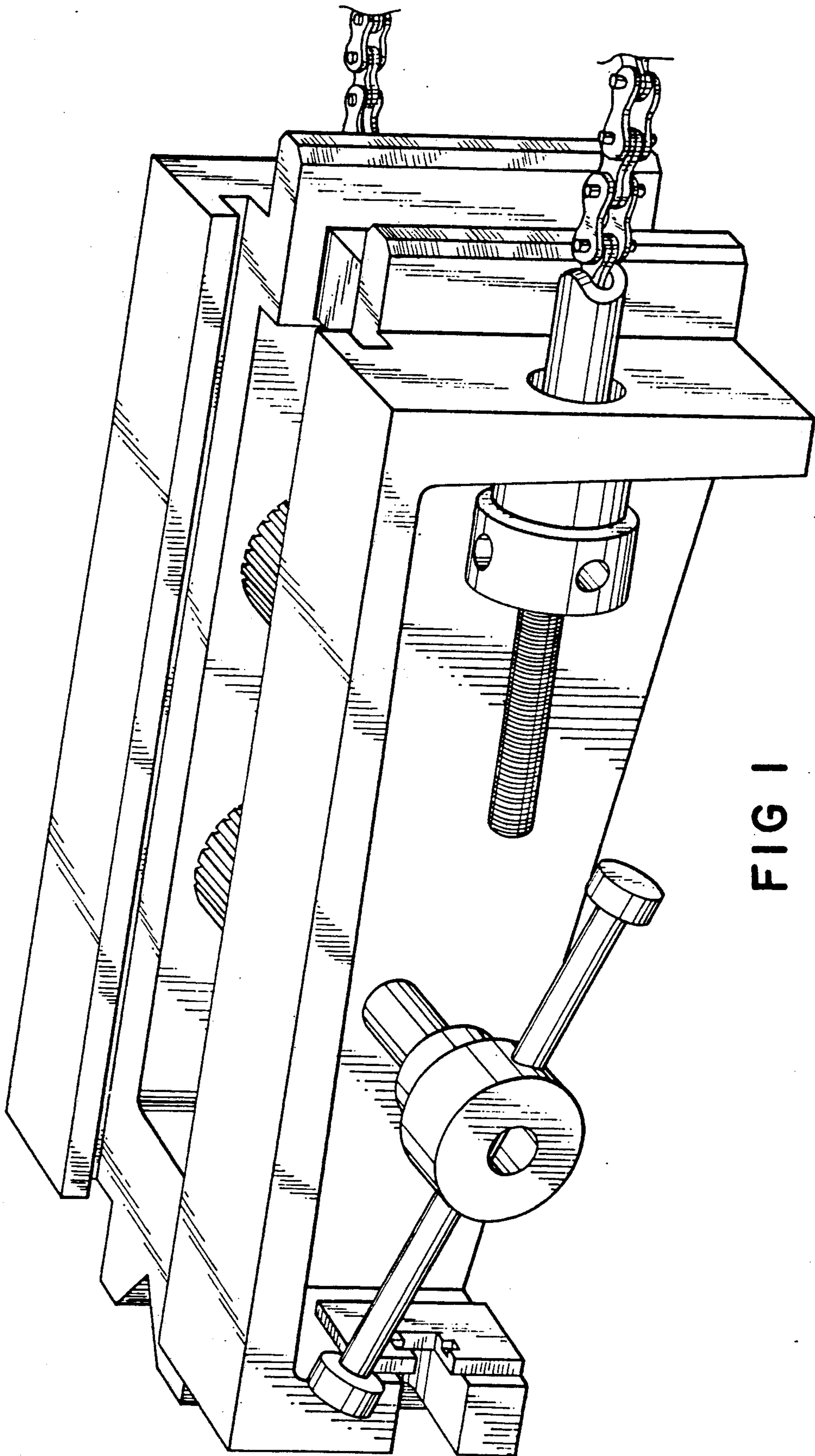


FIG 1

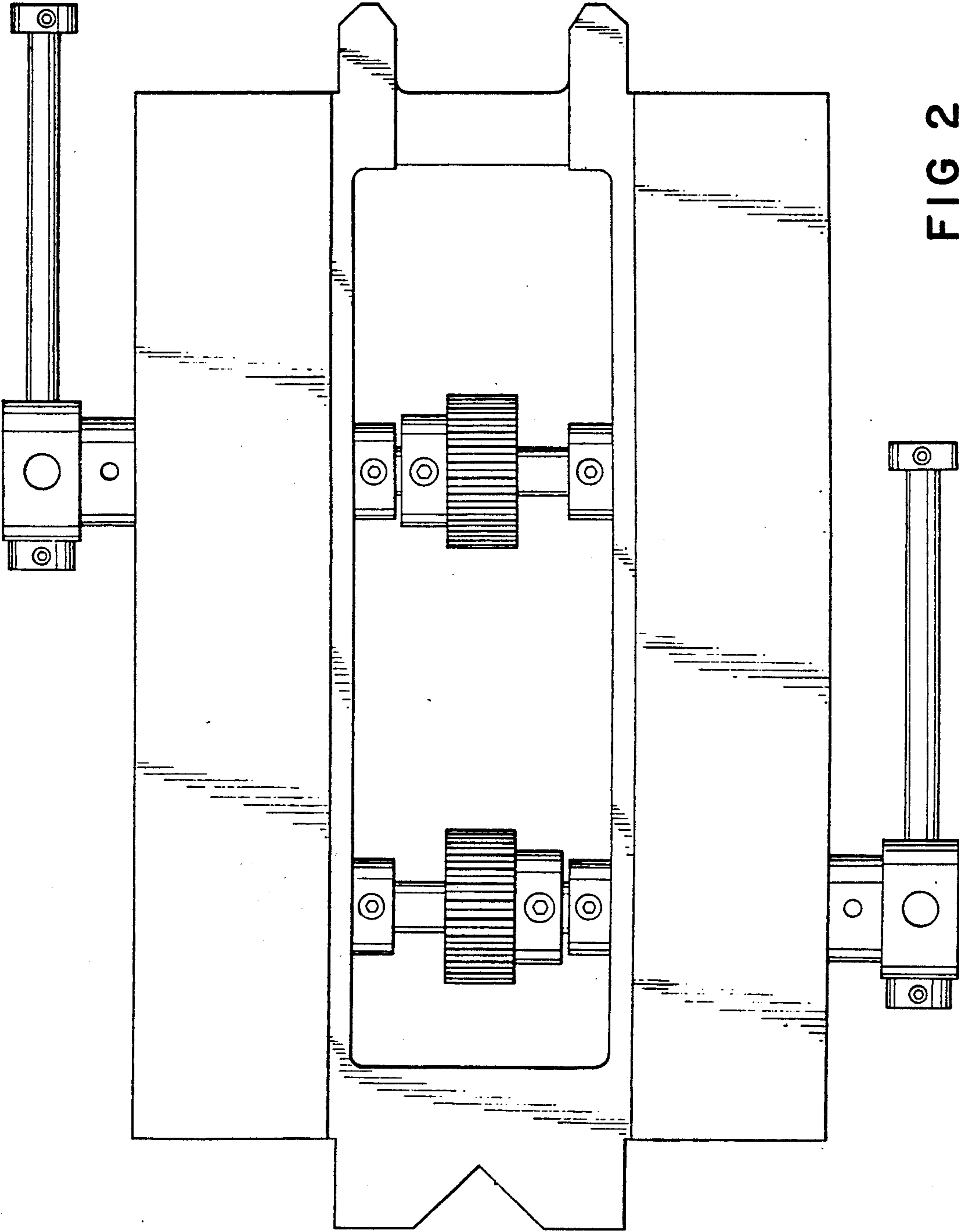
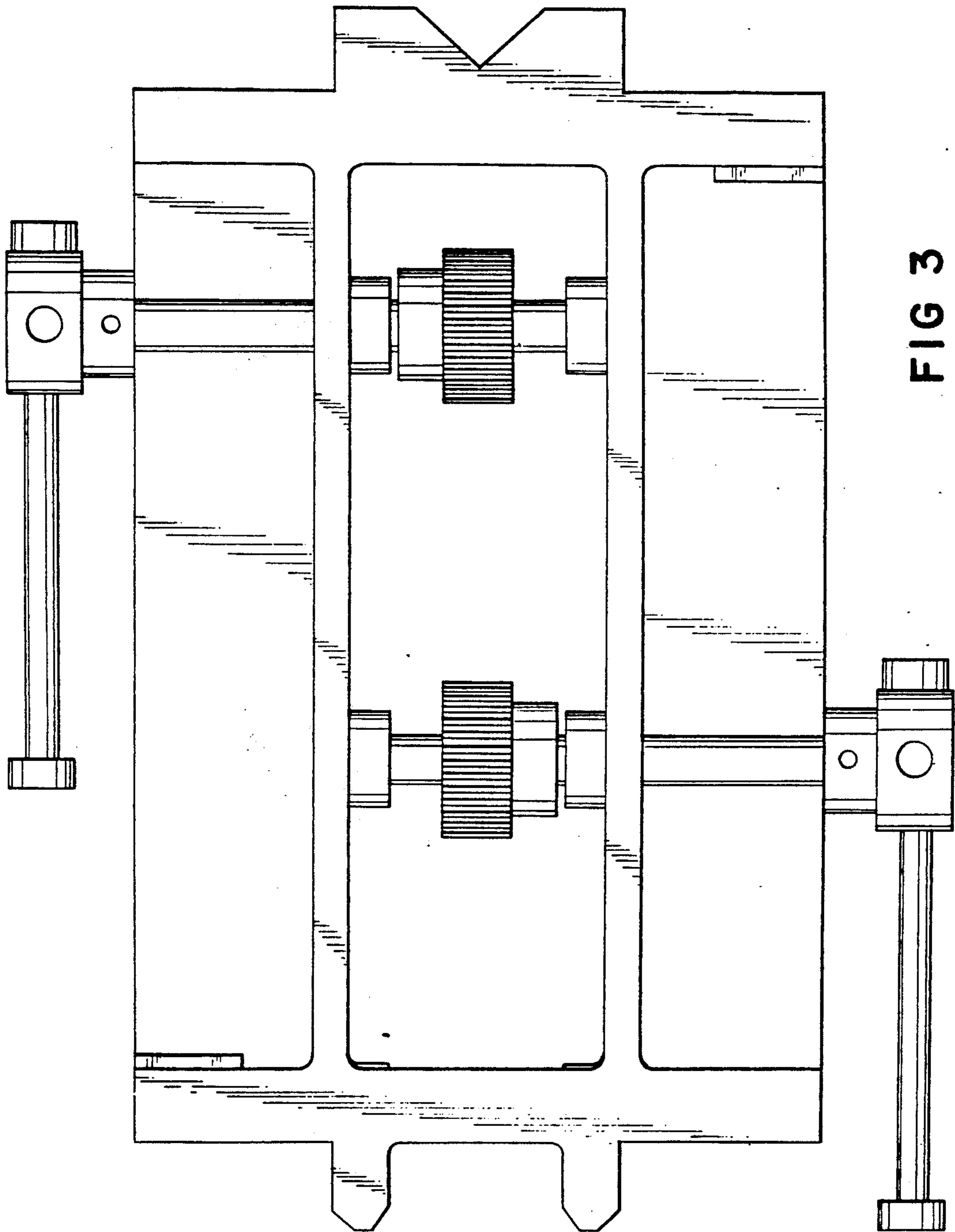


FIG 2



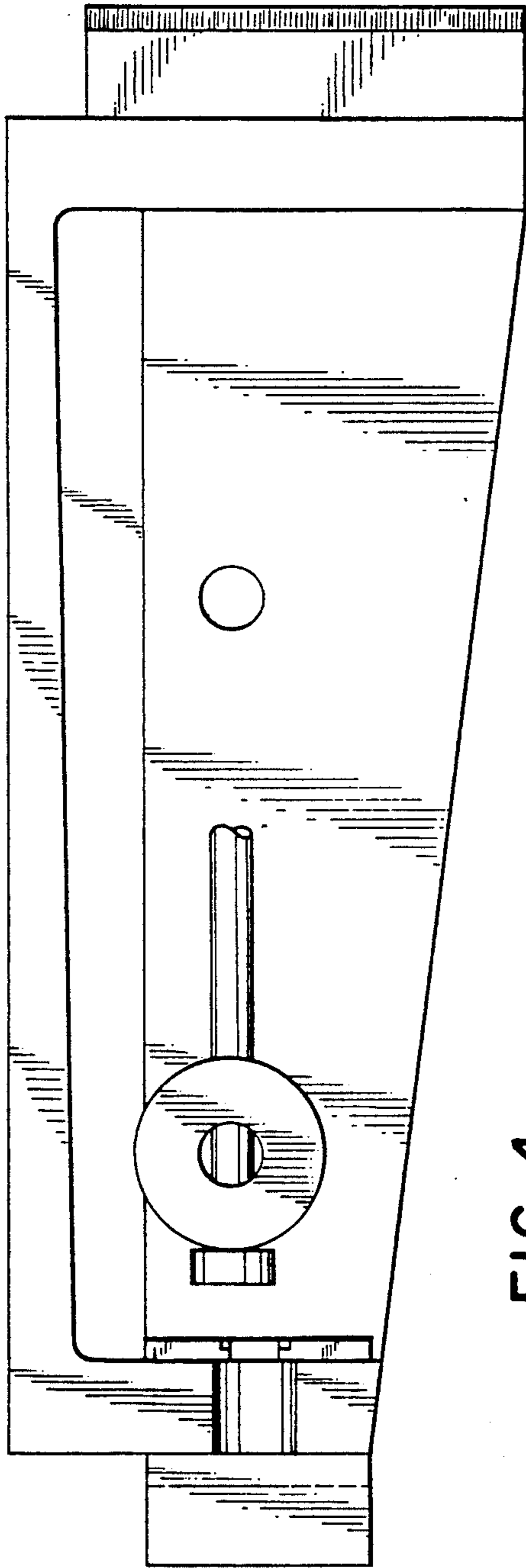


FIG 4

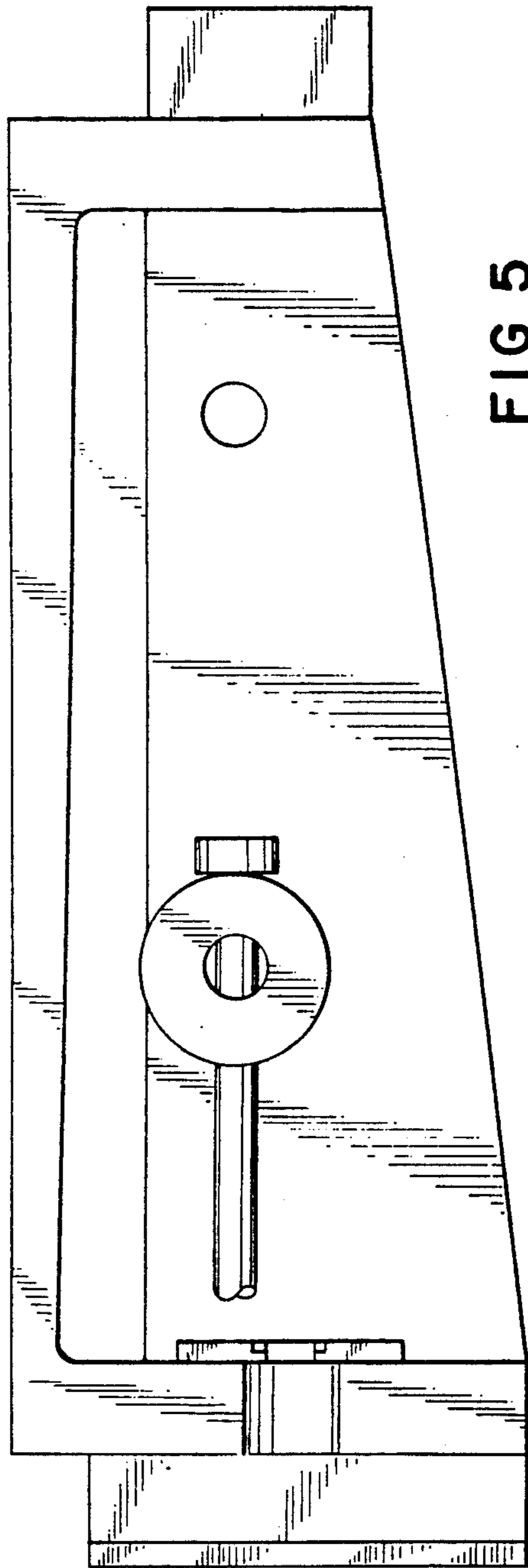


FIG 5

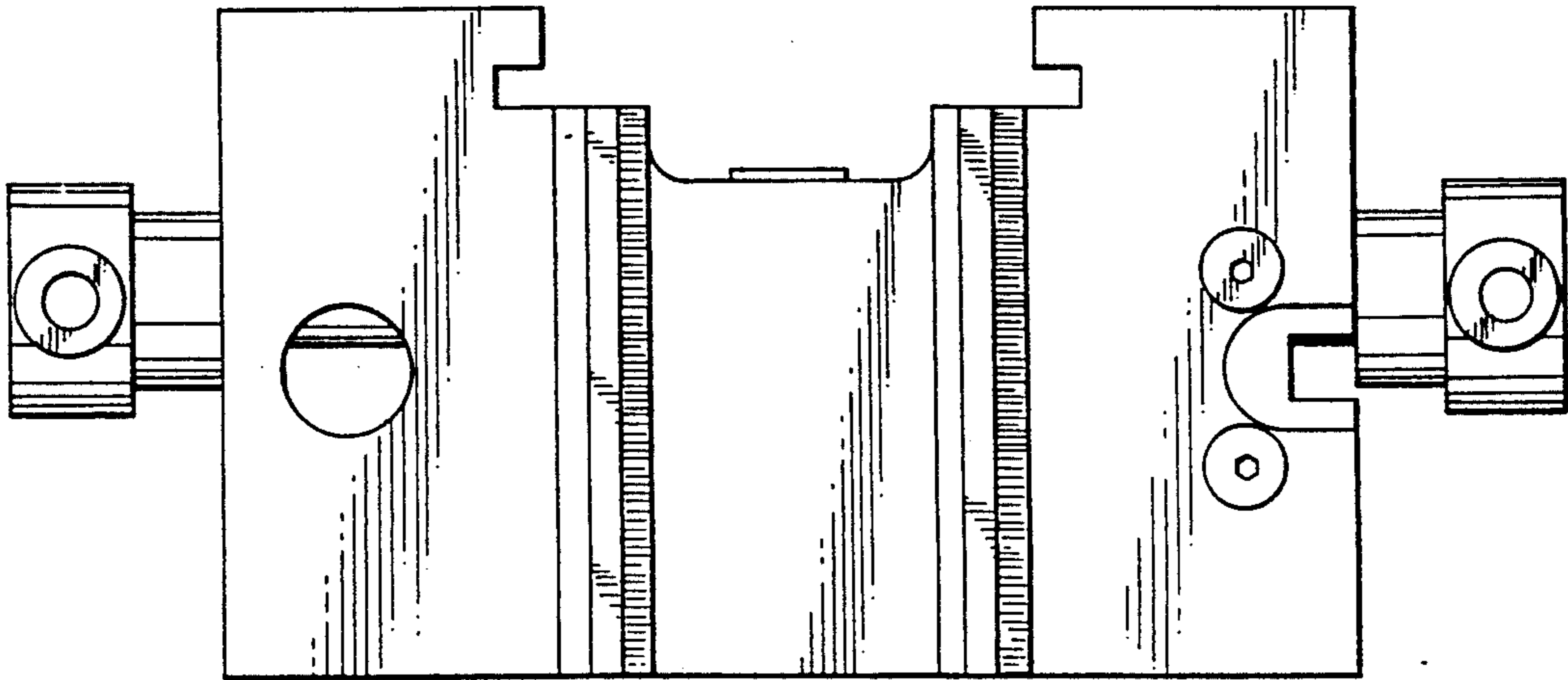


FIG 6

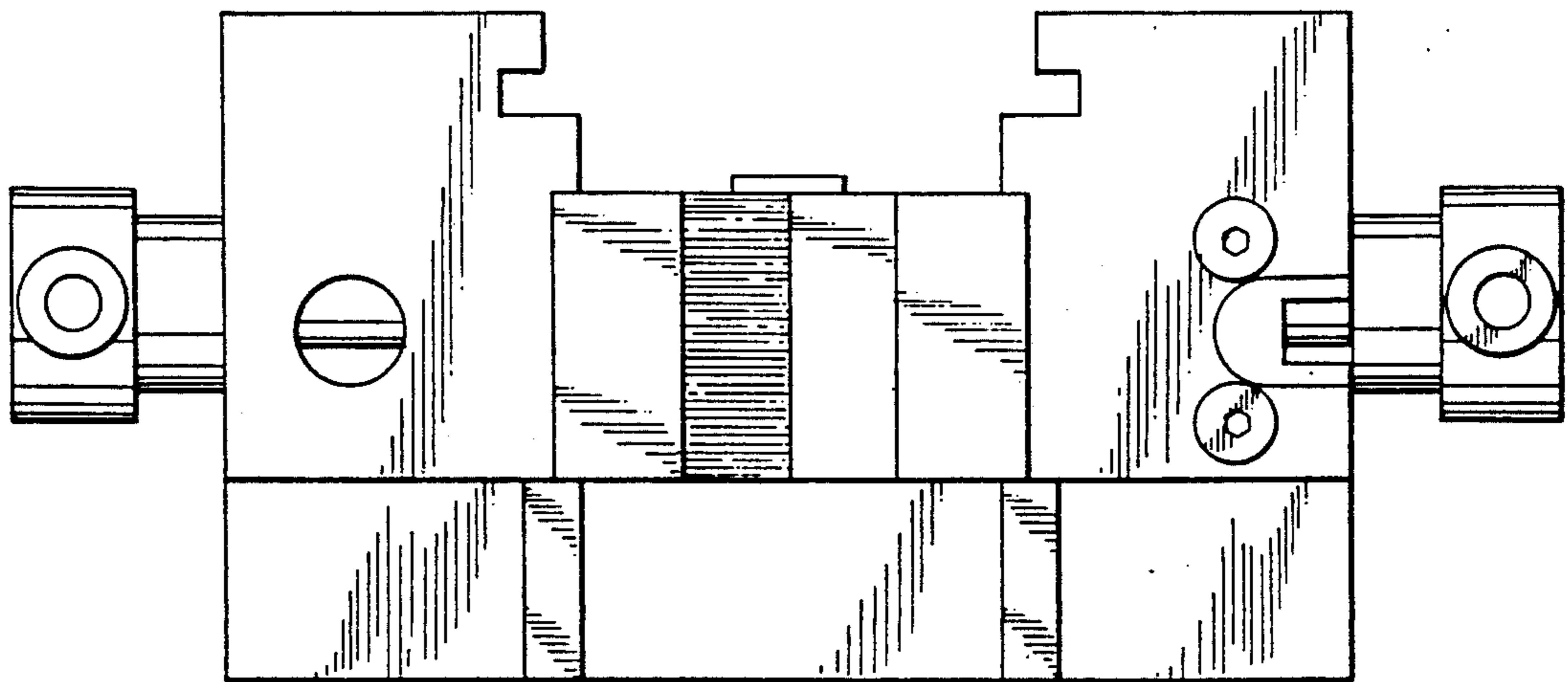


FIG 7