



US00D334012S

United States Patent [19] Chen

[11] Patent Number: Des. 334,012

[45] Date of Patent: ** Mar. 16, 1993

[54] BATTERY PACK

[75] Inventor: Benjamin Chen, Tai-Chung Hsien, Taiwan

[73] Assignee: Regitar Power Tools Co., Ltd., Tai-Chung Hsien, Taiwan

[**] Term: 14 Years

[21] Appl. No.: 802,428

[22] Filed: Dec. 4, 1991

[52] U.S. Cl. D13/103

[58] Field of Search D13/103; 379/413, 428, 379/440, 441, 442; 320/2; 429/96, 97, 99, 100, 123, 163, 178; 307/64

[56] References Cited

U.S. PATENT DOCUMENTS

D. 106,573	3/1990	Schultz	D13/103
D. 304,822	11/1989	Fushiya et al.	D13/103
D. 306,574	3/1990	Schultz	D13/103
D. 313,391	1/1991	Pubwill	D13/103
4,835,410	5/1989	Bhagwat et al.	307/64

Primary Examiner—Wallace R. Burke

Assistant Examiner—Joel Sincavage

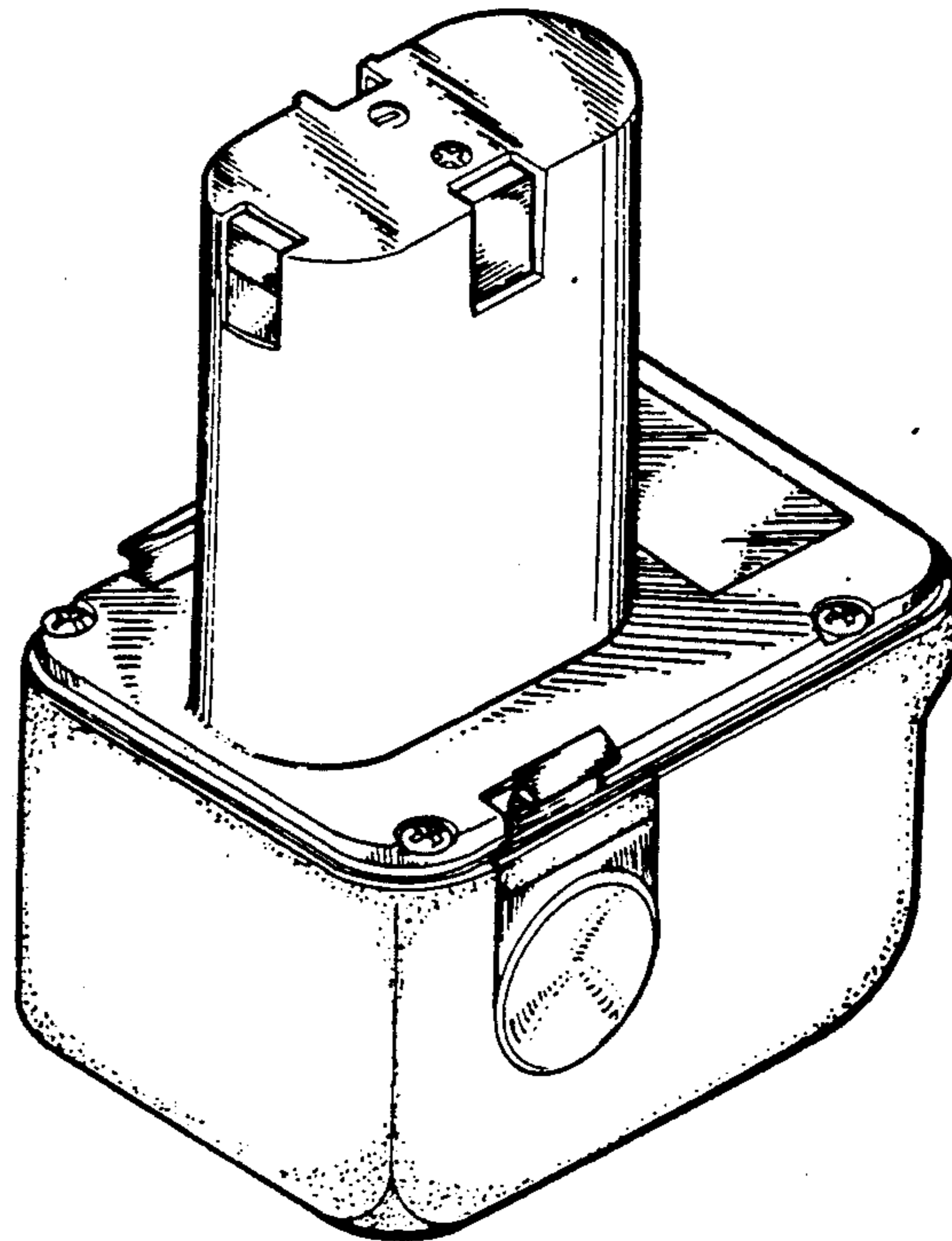
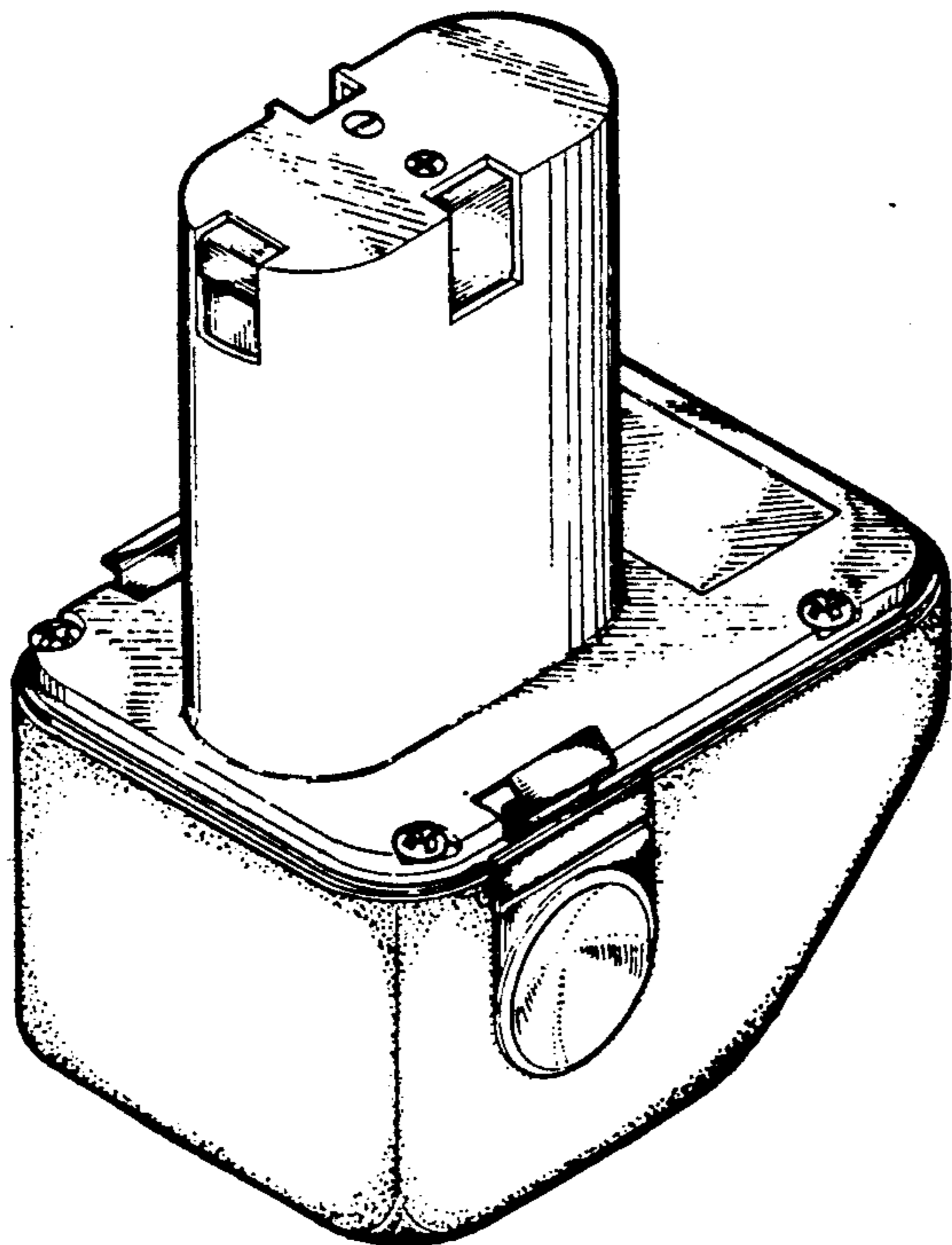
Attorney, Agent, or Firm—Morton J. Rosenberg; David I. Klein

[57] CLAIM

The ornamental design for a battery pack, as shown and described.

DESCRIPTION

FIG. 1 is a perspective view of a battery pack showing my new design;
 FIG. 2 is a front side elevational view thereof;
 FIG. 3 is a rear side elevational view thereof;
 FIG. 4 is a left view thereof;
 FIG. 5 is a right view thereof;
 FIG. 6 is a top plan view thereof;
 FIG. 7 is a bottom plan view thereof;
 FIG. 8 is a perspective view of a battery pack showing a second embodiment of my new design;
 FIG. 9 is a front side elevational view thereof;
 FIG. 10 is a rear side elevational view thereof;
 FIG. 11 is a left view thereof;
 FIG. 12 is a right view thereof;
 FIG. 13 is a top plan view thereof; and,
 FIG. 14 is a bottom plan view thereof.



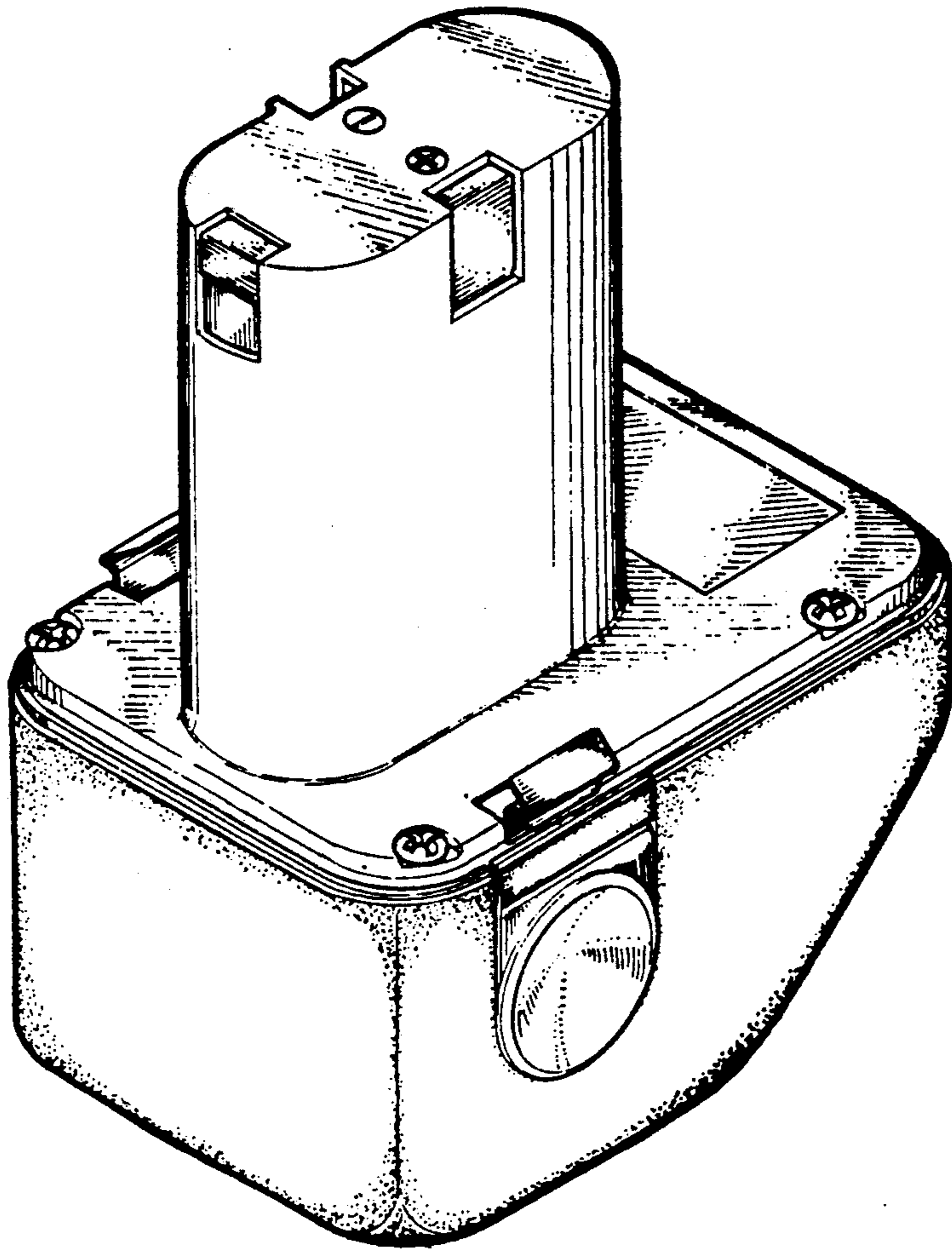


FIG. 1

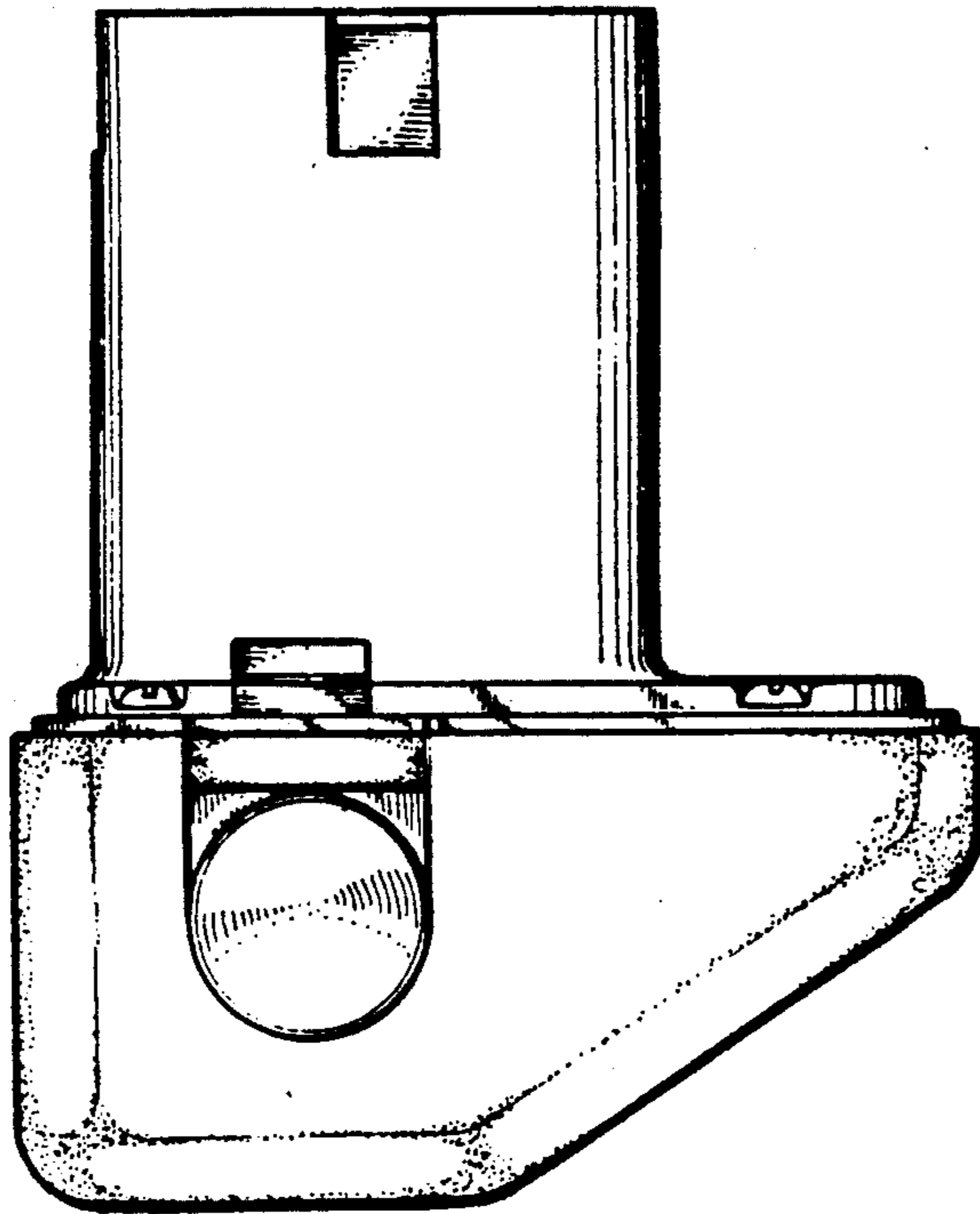


FIG. 2

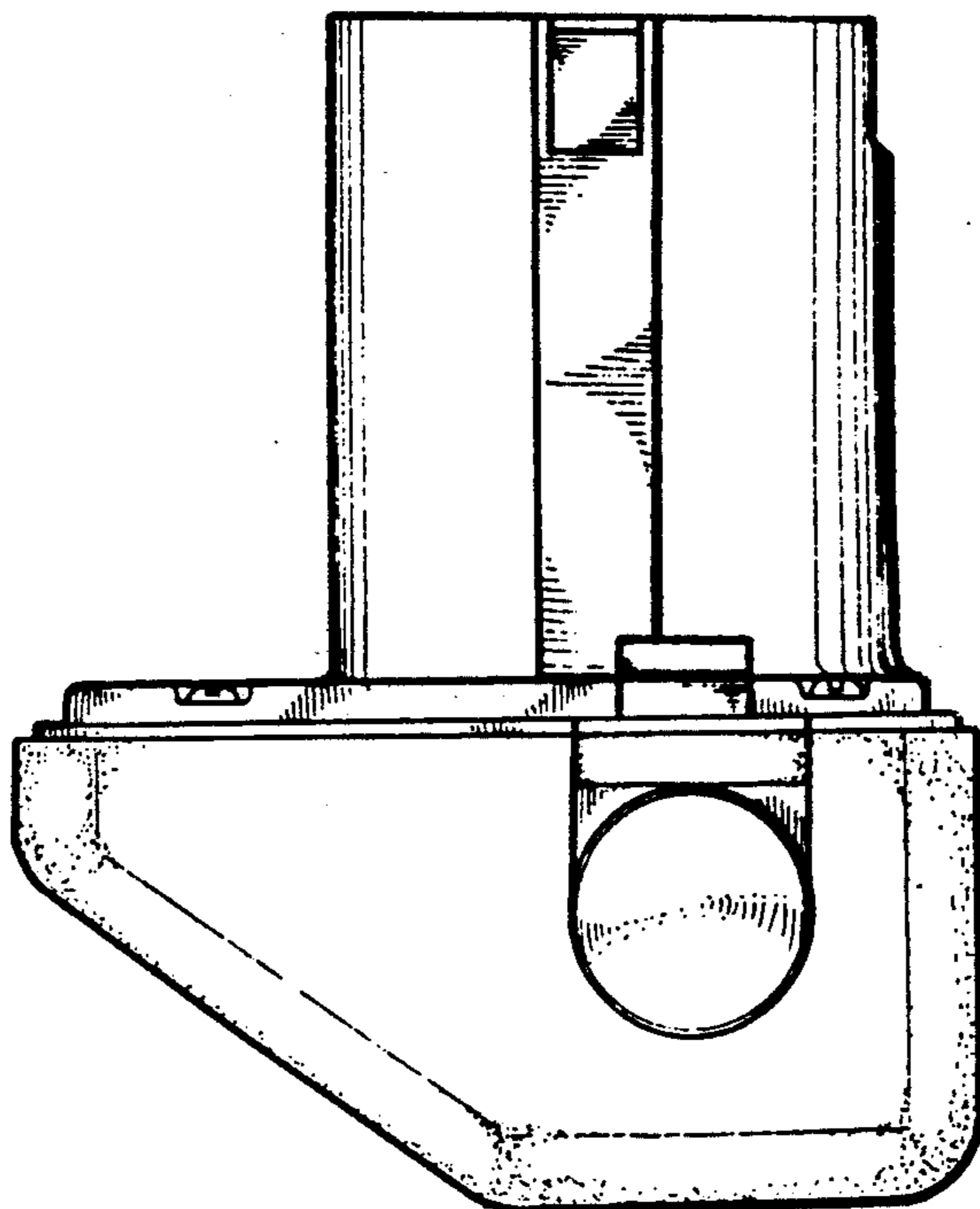


FIG. 3

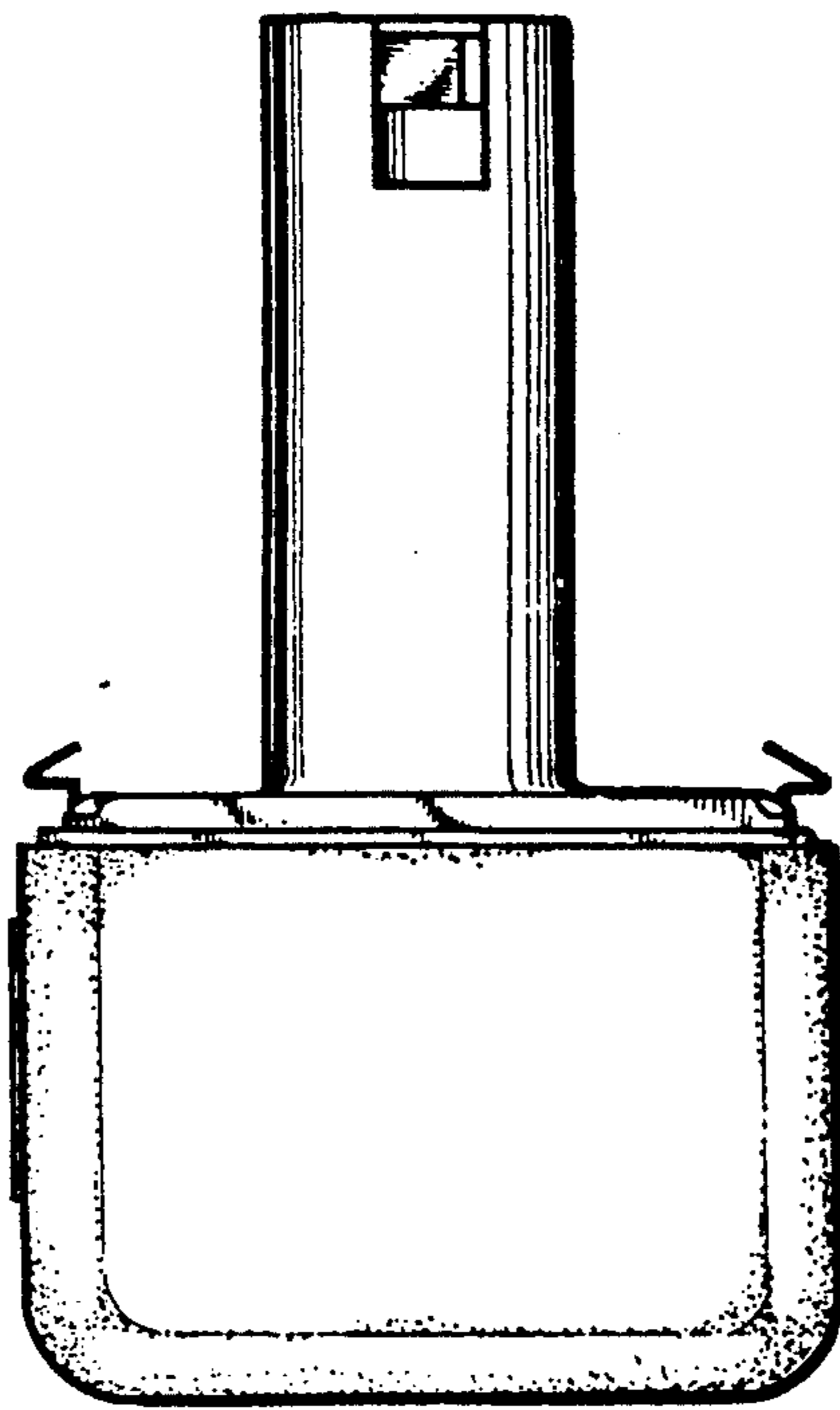


FIG. 4

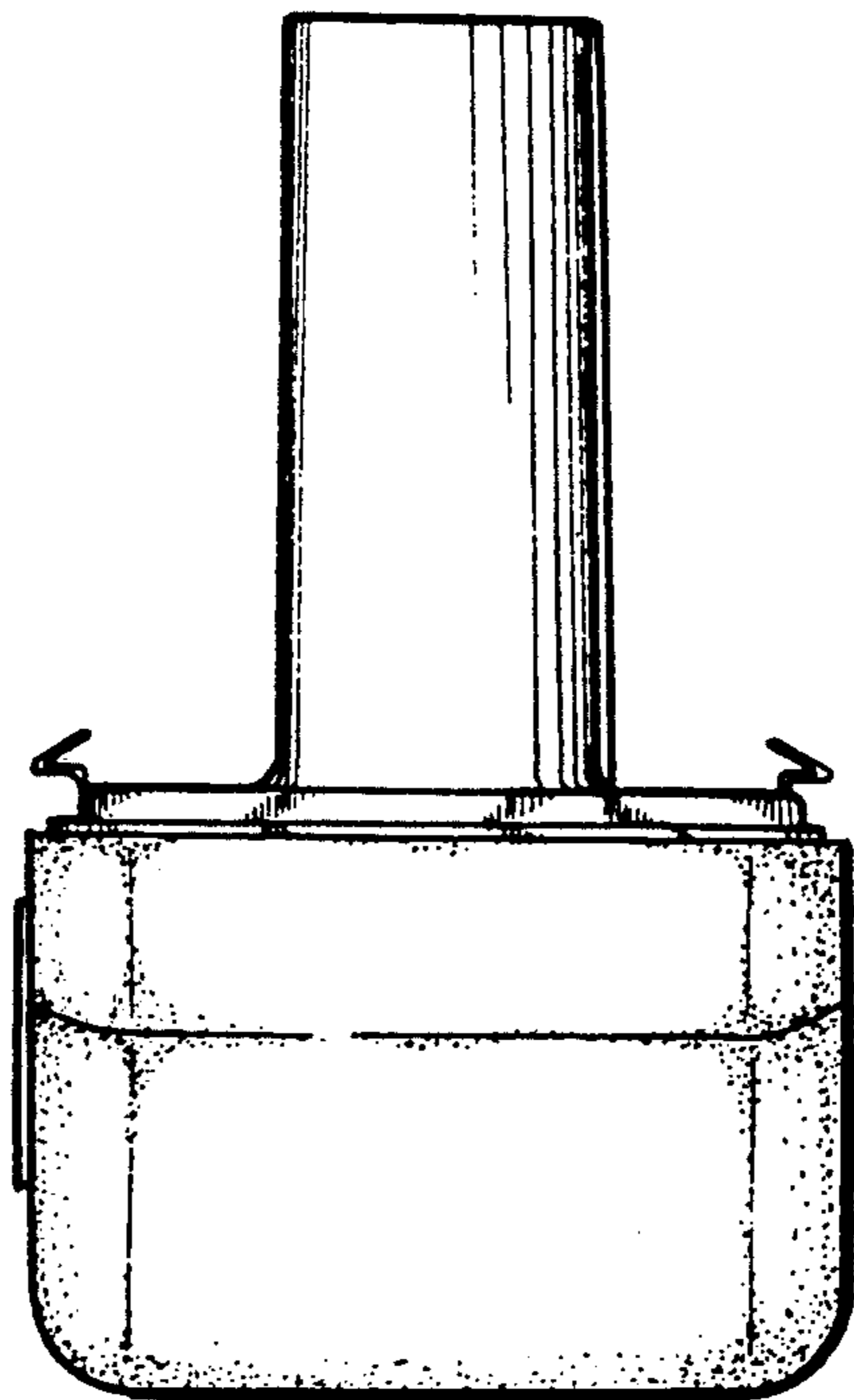


FIG. 5

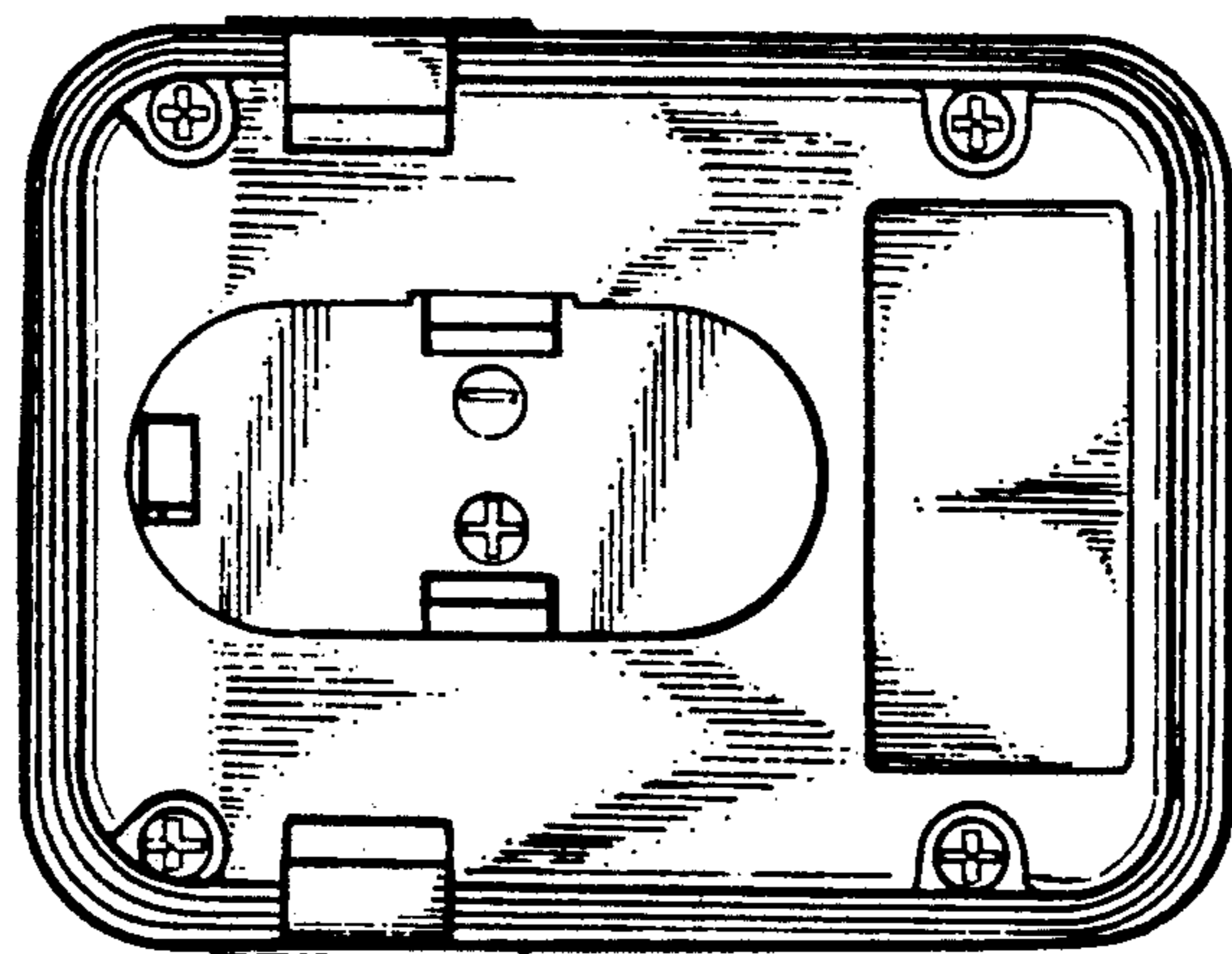


FIG. 6

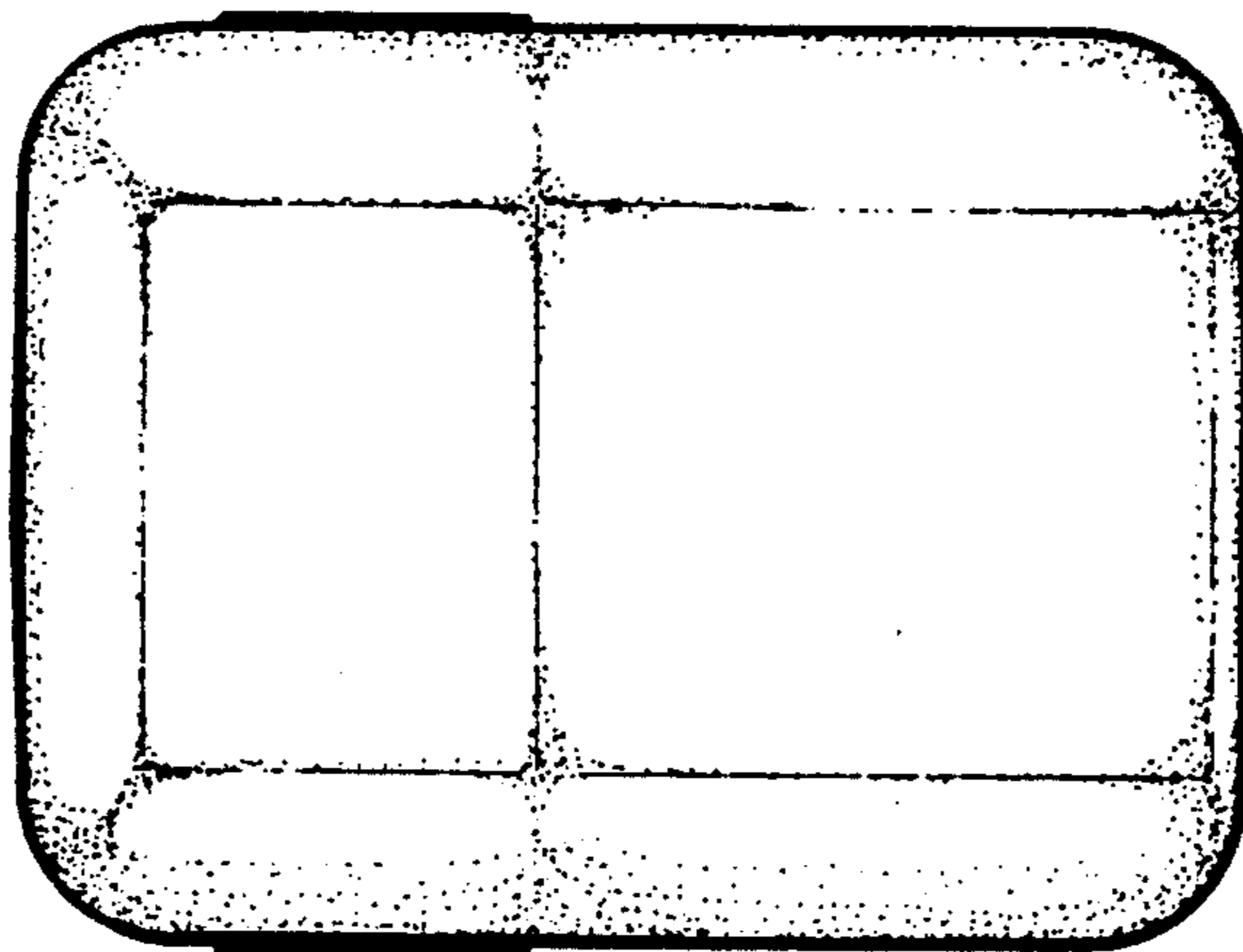


FIG. 7

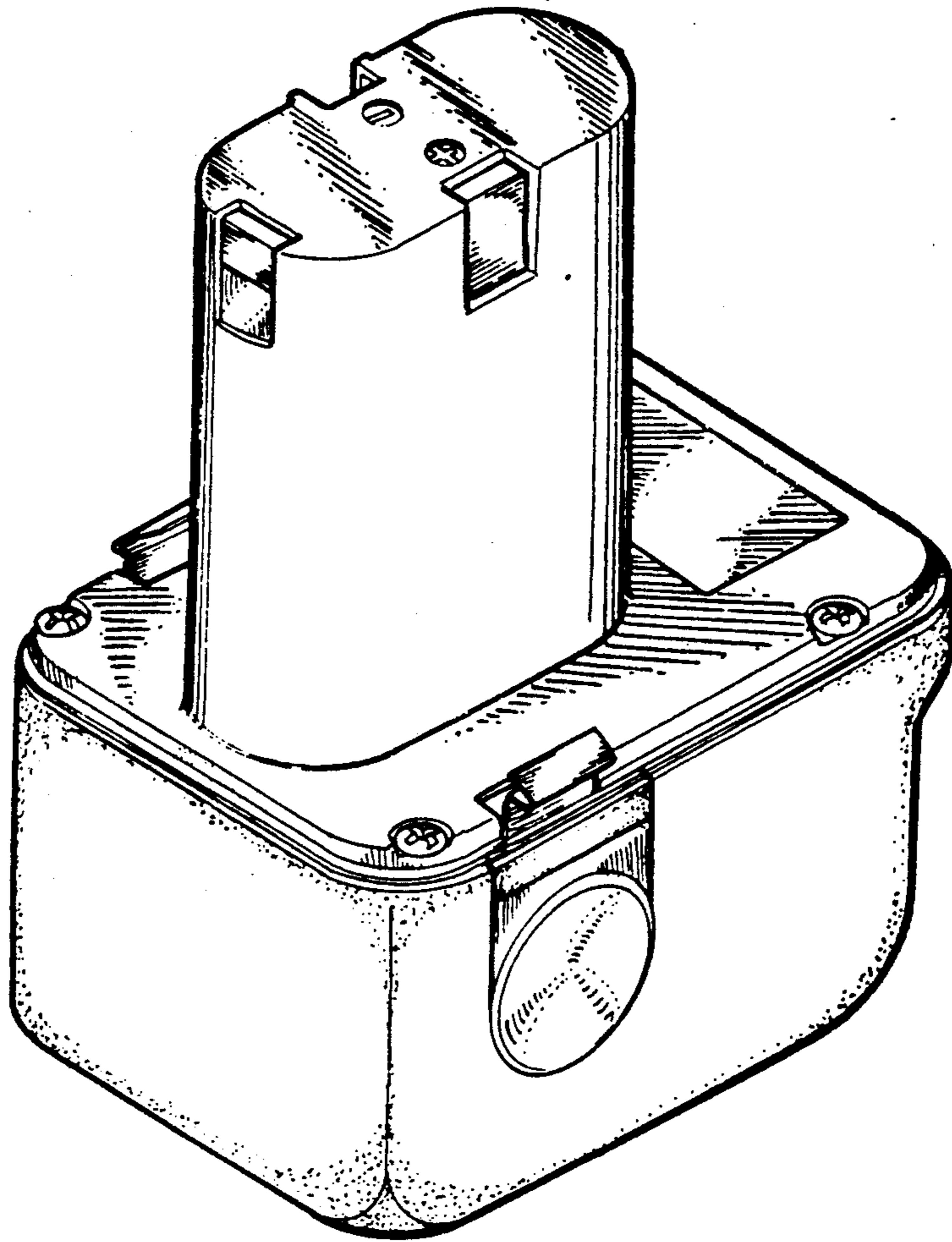


FIG. 8

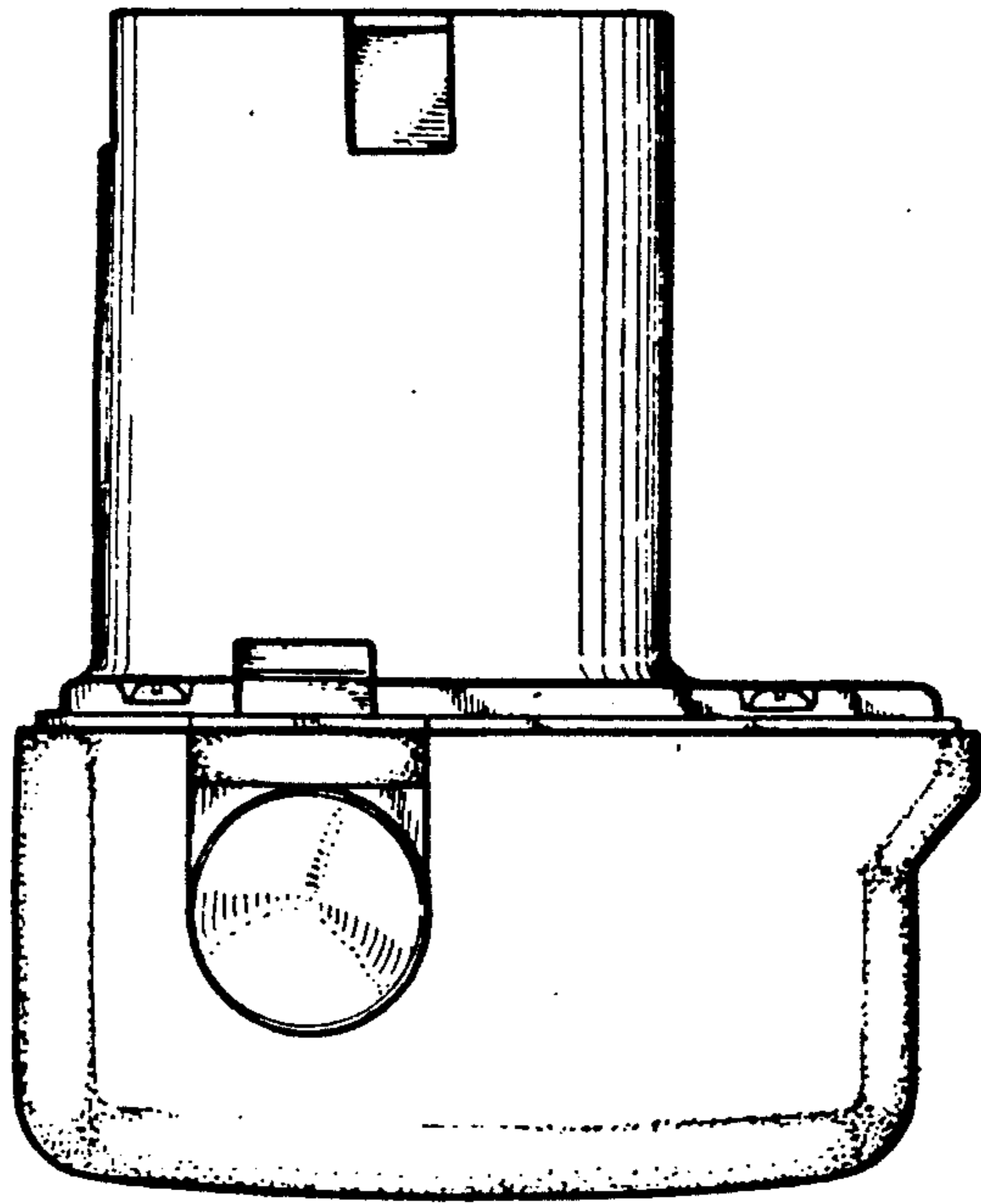


FIG. 9

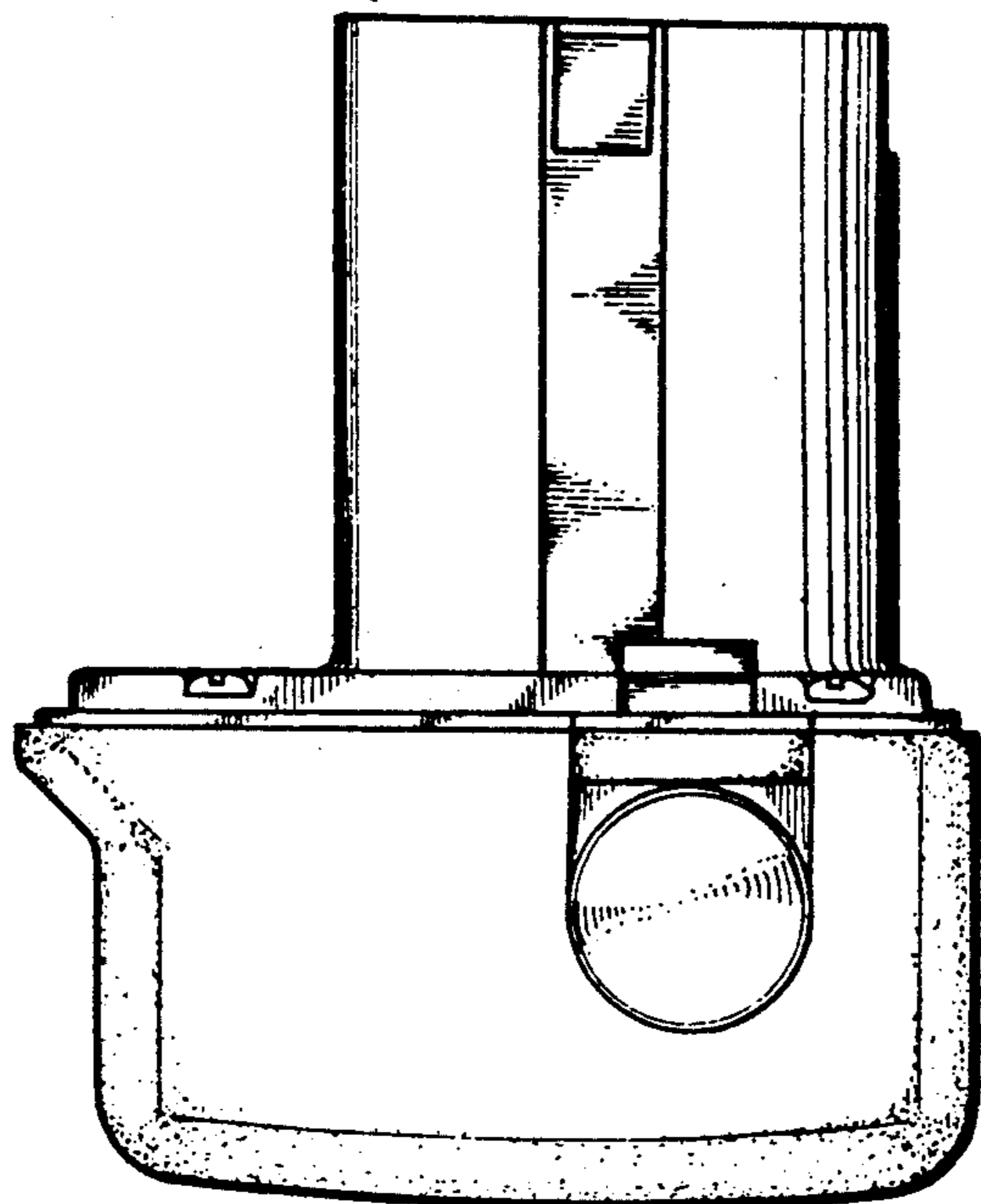


FIG. 10

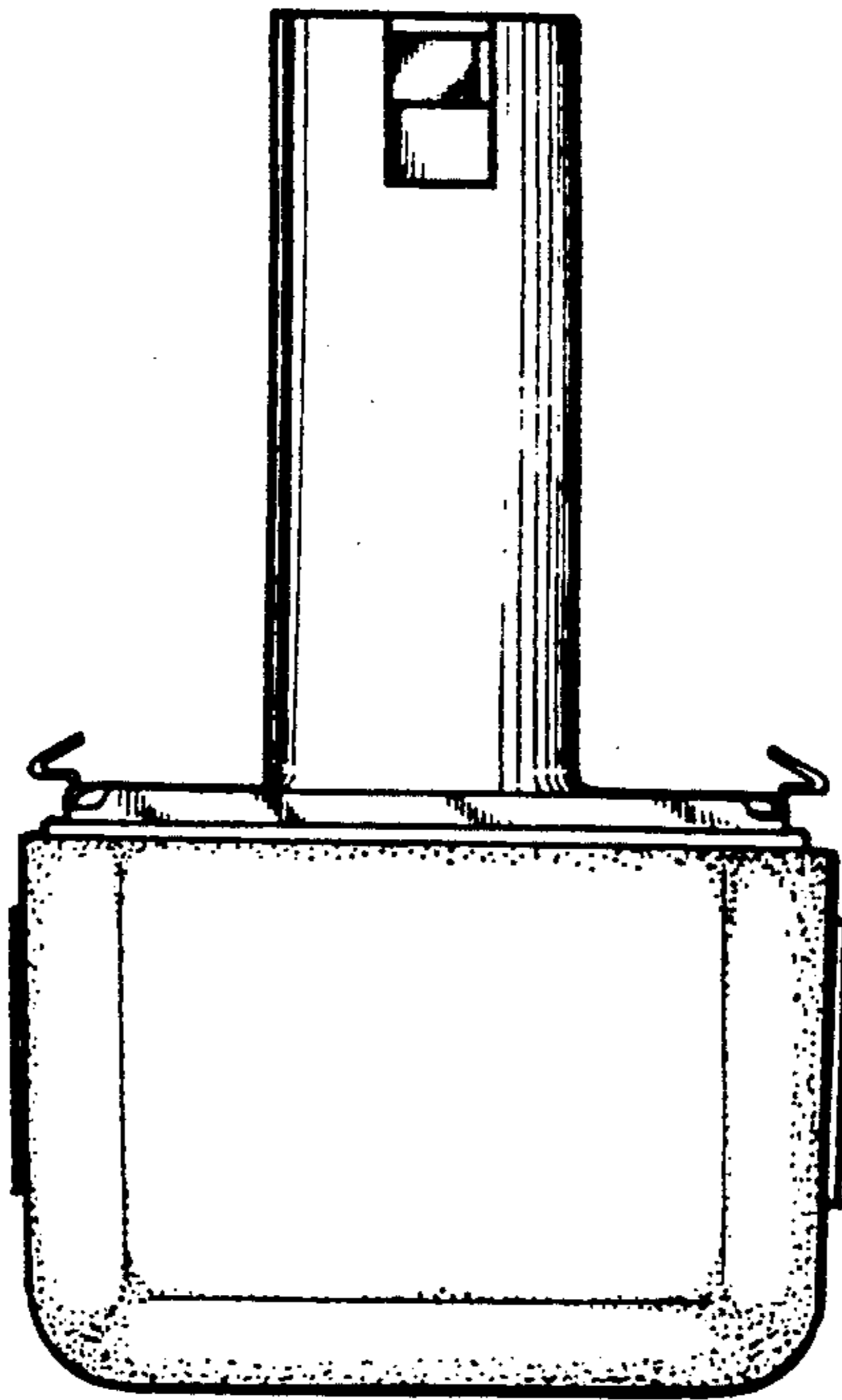


FIG. 11

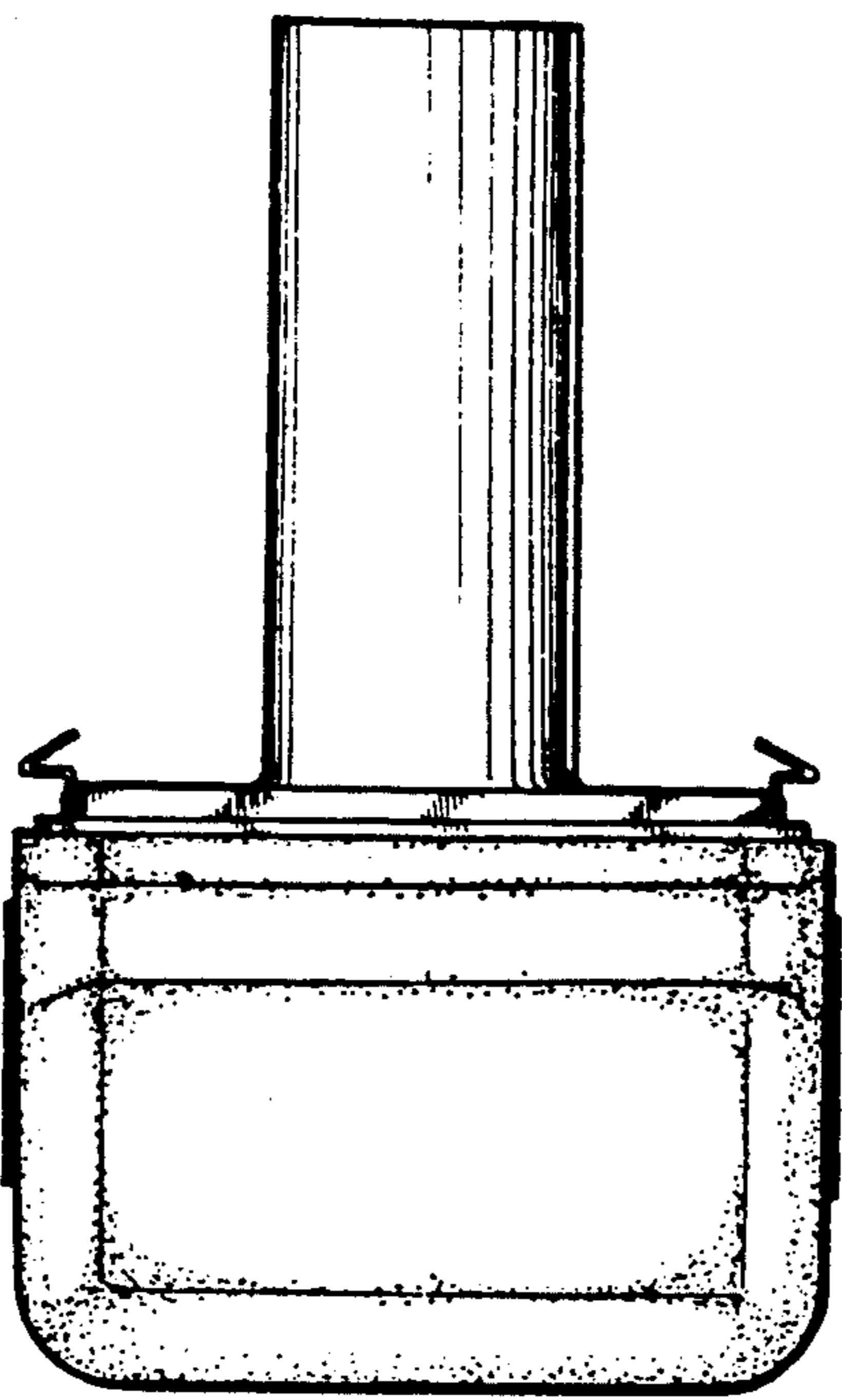


FIG. 12

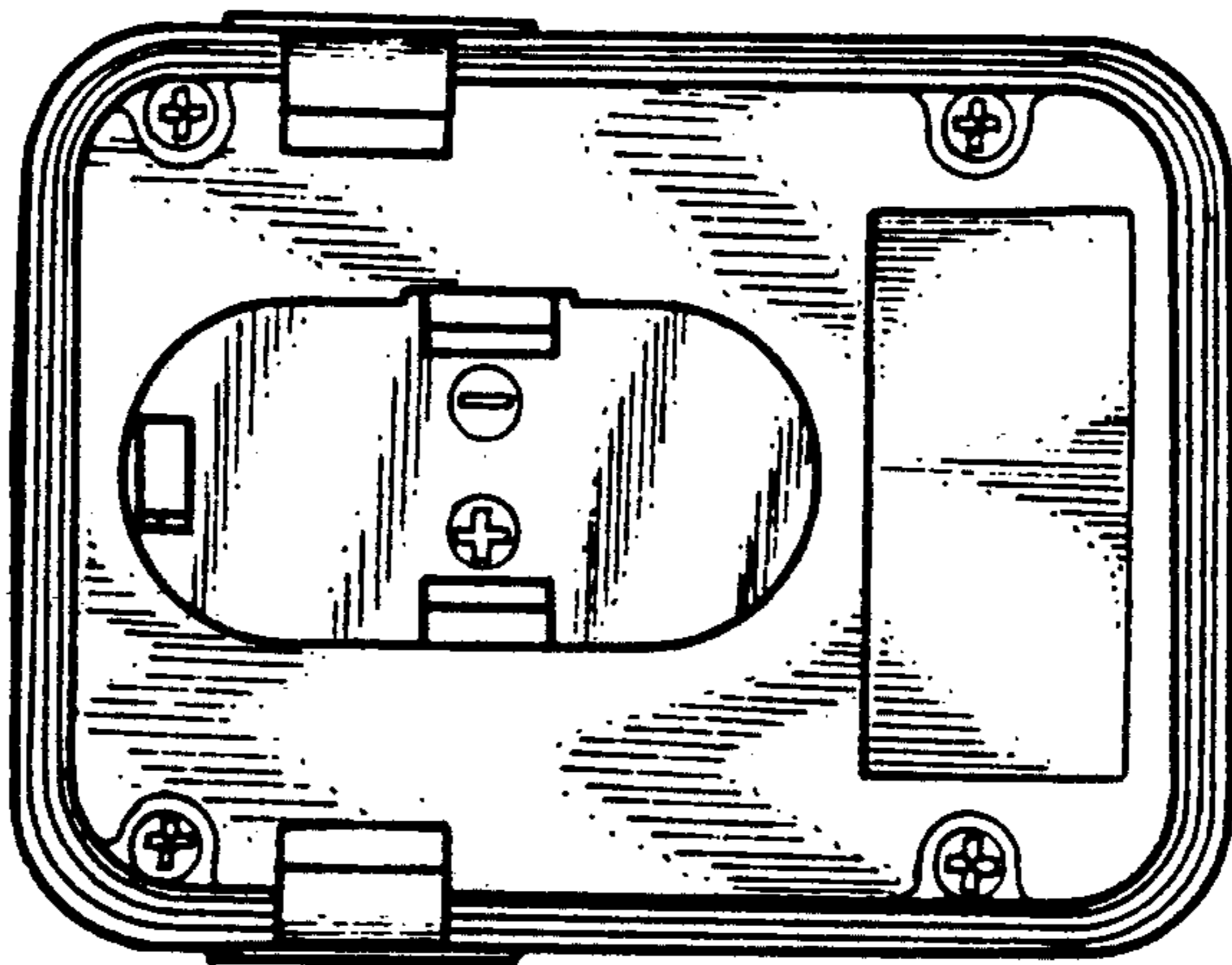


FIG. 13

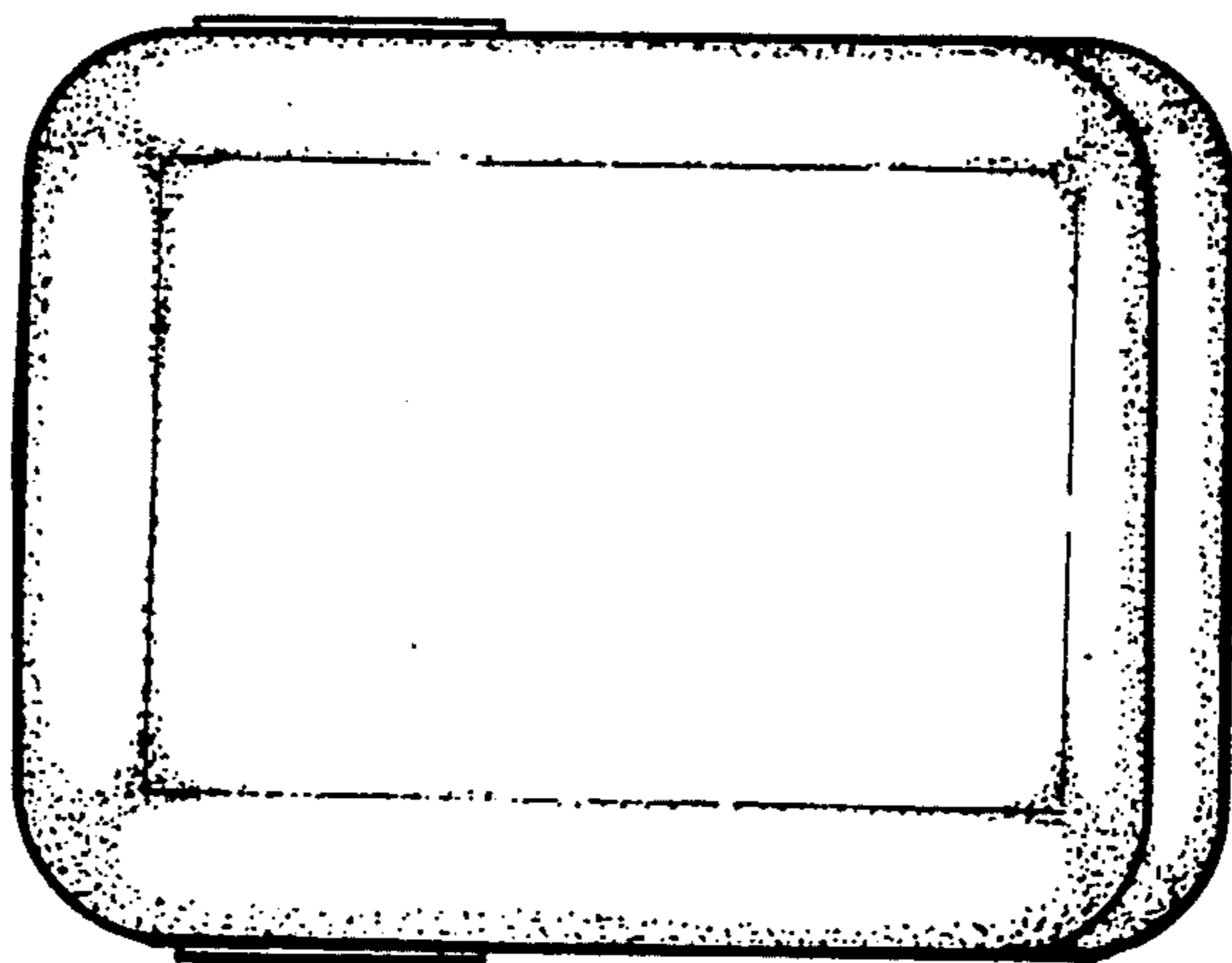


FIG. 14