



US00D334009S

United States Patent [19]

Irving et al.

[11] Patent Number: **Des. 334,009**

[45] Date of Patent: **** Mar. 16, 1993**

[54] **ILLUMINATED SEAT BELT LATCH ASSEMBLY**

4,558,887 12/1985 Doty 280/802
4,568,105 2/1986 Ryu 280/802

[76] Inventors: **Mary Irving; David Irving**, both of
P.O. Box 295, 1452 Peake St., Holly
Hill, S.C. 29059

FOREIGN PATENT DOCUMENTS

[**] Term: **14 Years**

2473323 1/1980 France .
59-45244 3/1984 Japan .
624802 9/1978 U.S.S.R. .

[21] Appl. No.: **675,708**

Primary Examiner—Brian N. Vinson
Attorney, Agent, or Firm—Terry M. Gernstein

[22] Filed: **Mar. 27, 1991**

[52] U.S. Cl. **D8/331**

[58] Field of Search **D11/200, 212, 218;**
280/801-808; 292/DIG. 4

[57] CLAIM

The ornamental design for an illuminated seat belt latch assembly, as shown and described.

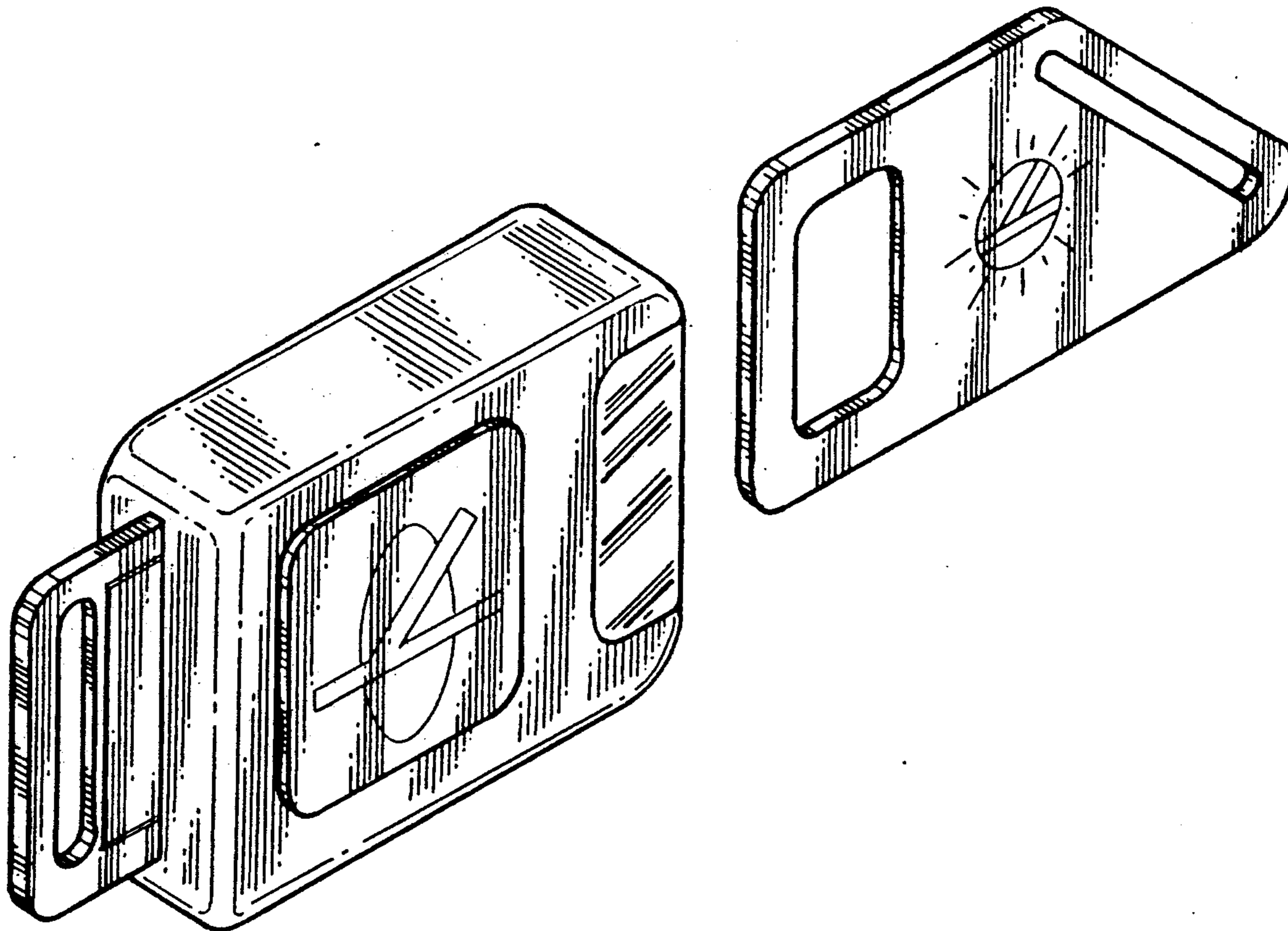
[56] References Cited

U.S. PATENT DOCUMENTS

D. 269,389	6/1983	Wood	D11/212
D. 312,987	12/1990	Kuli	D11/218
4,185,791	1/1980	Takada	280/802
4,189,169	2/1980	Meuser	280/802
4,201,401	5/1980	Bryan	280/803
4,331,355	5/1982	Okuno	292/DIG. 4 X
4,371,193	2/1983	Takada	280/806
4,420,172	12/1983	Kojima	280/802

DESCRIPTION

FIG. 1 is an exploded top, front, and left side perspective view of an illuminated seat belt latch assembly showing our new design;
FIG. 2 is a left side elevational view thereof;
FIG. 3 is a right side elevational view thereof;
FIG. 4 is a rear elevational view thereof;
FIG. 5 is a front elevational view thereof;
FIG. 6 is a top plan view thereof; and,
FIG. 7 is a bottom plan view thereof.



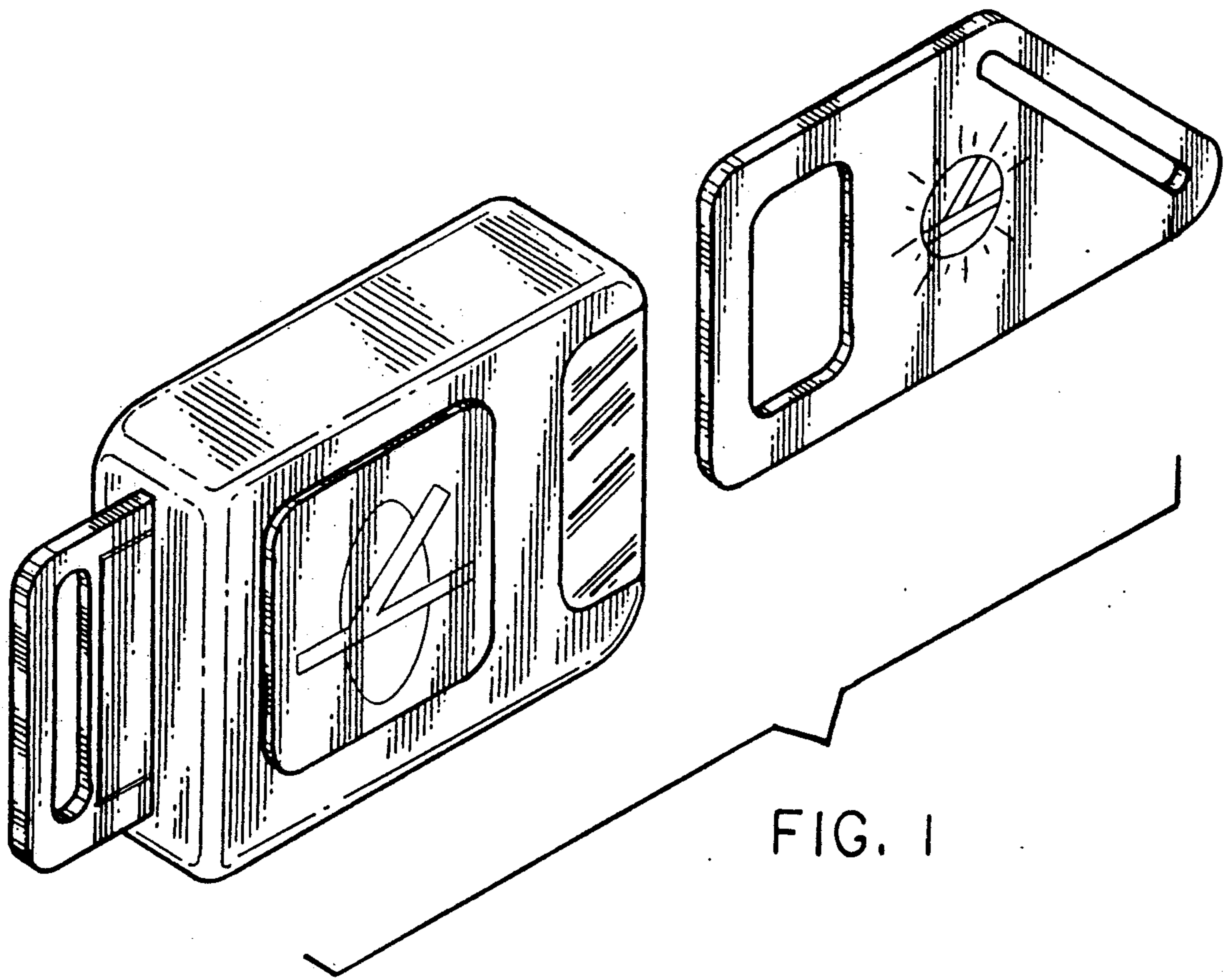


FIG. 1

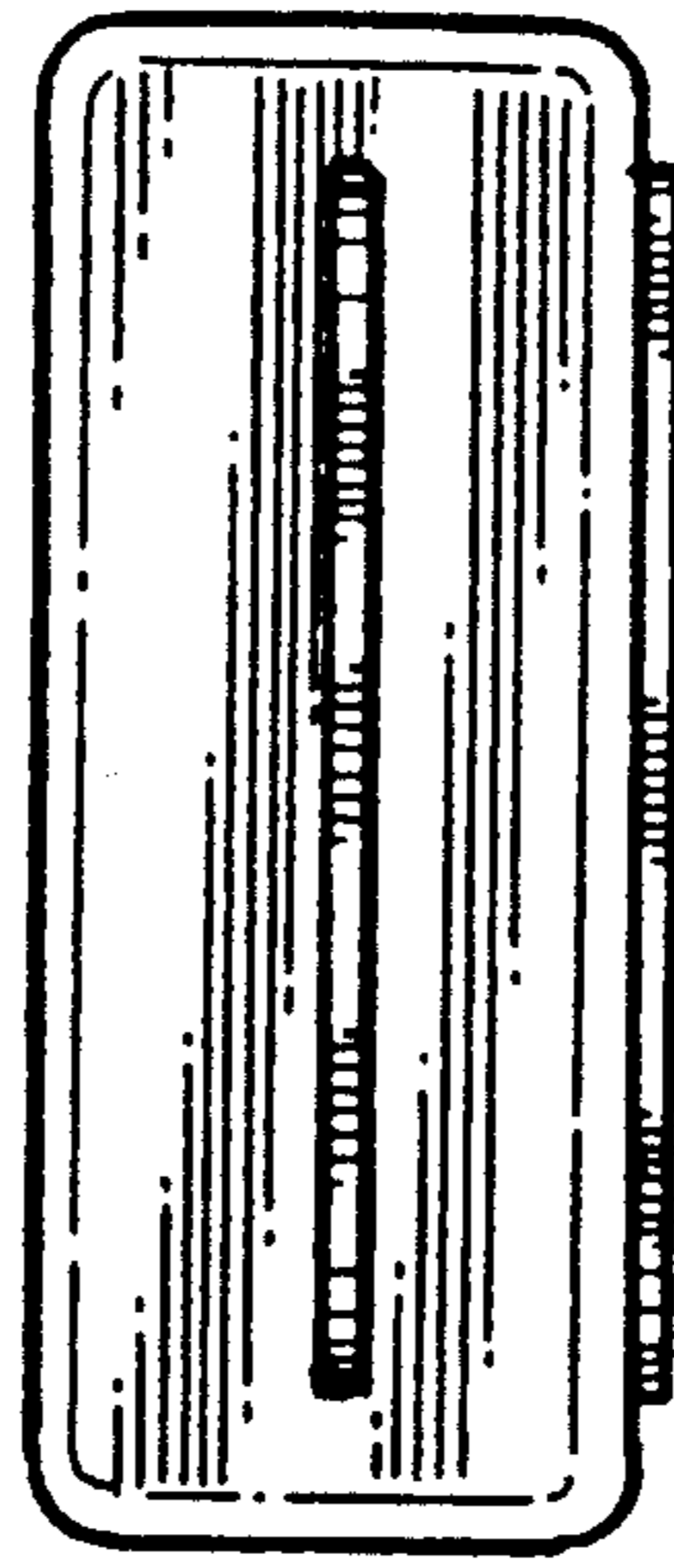


FIG. 2

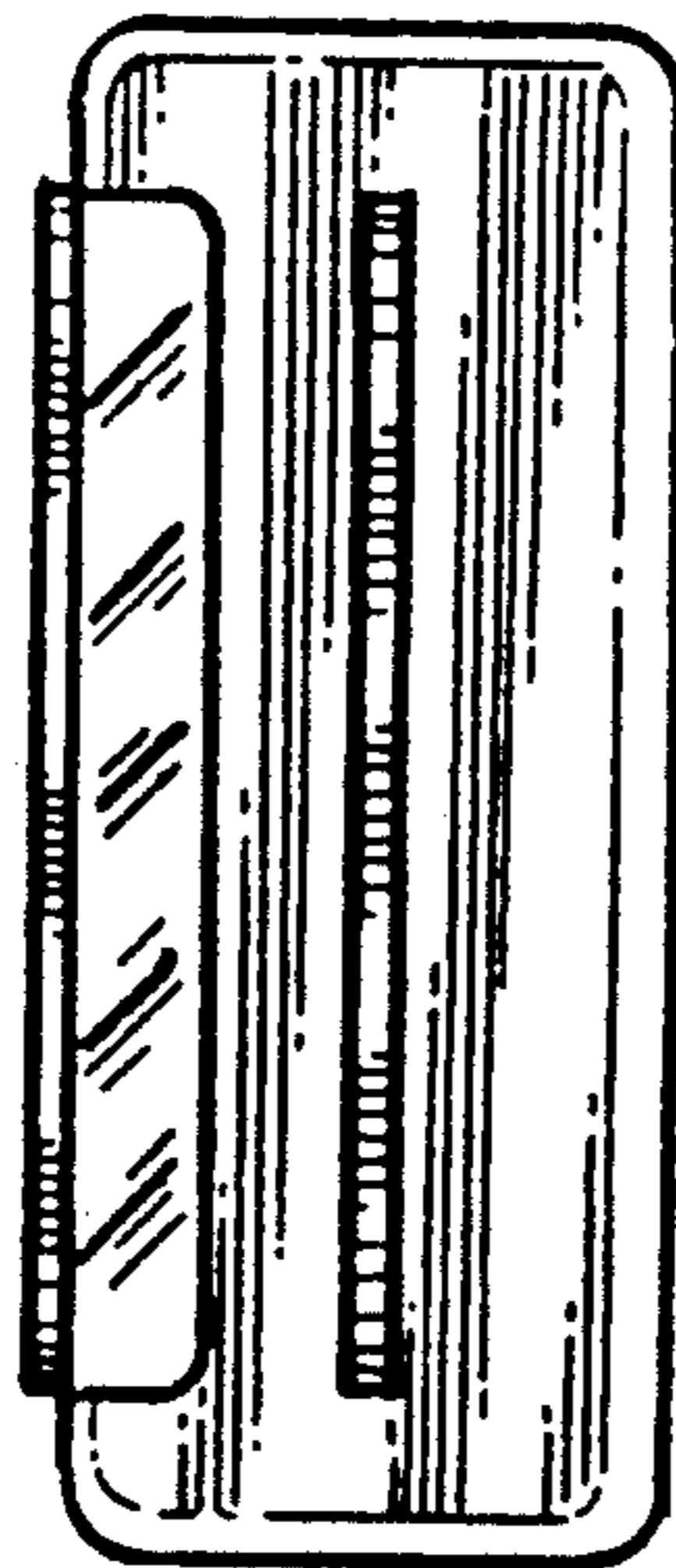


FIG. 3

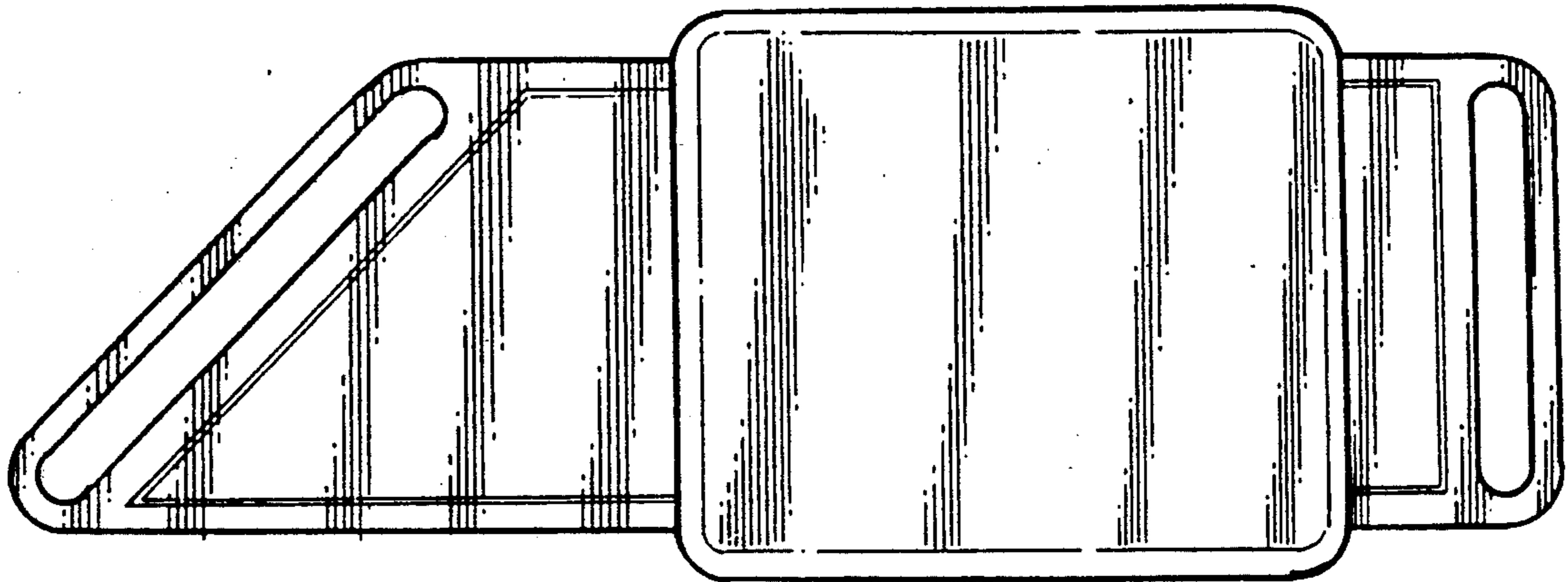


FIG. 4

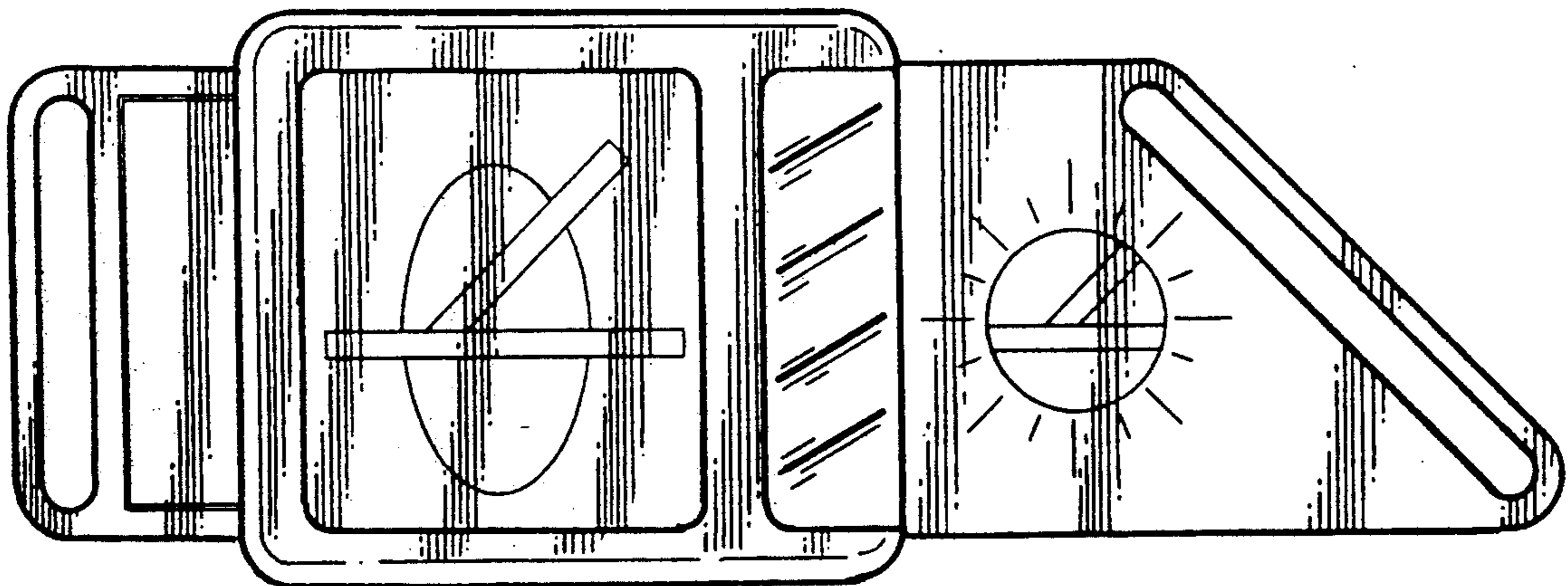


FIG. 5

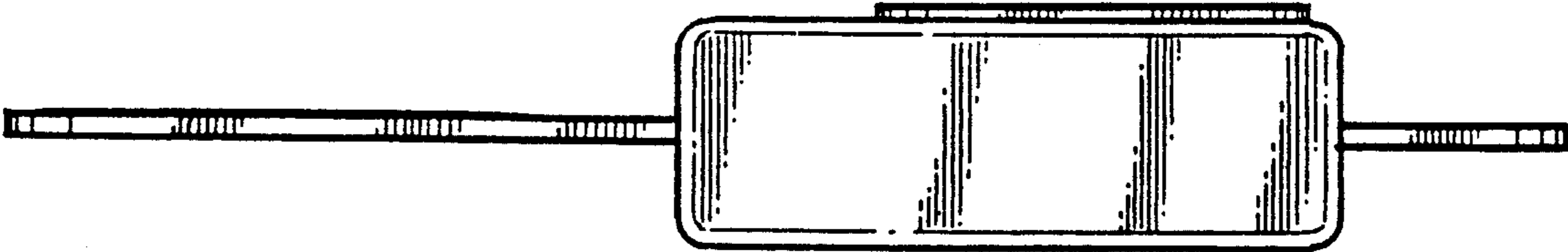


FIG. 6

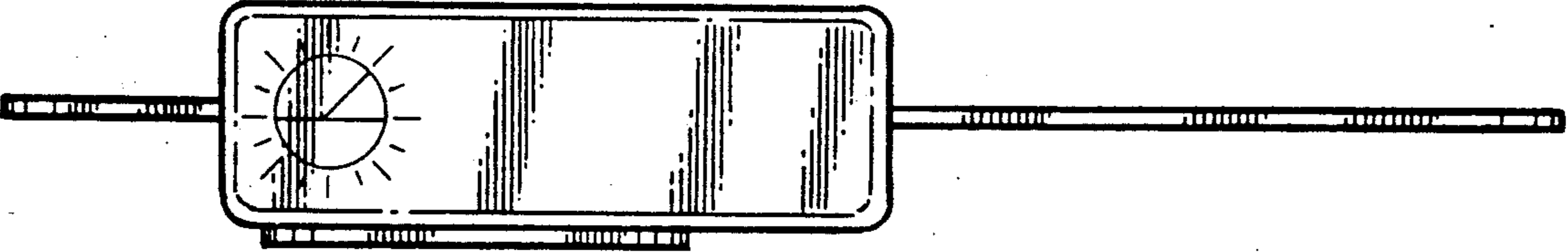


FIG. 7