



US00D333998S

United States Patent [19]

[11] Patent Number: **Des. 333,998**

Matsuda

[45] Date of Patent: **** Mar. 16, 1993**

[54] **CLOCK MOVEMENT**

D. 327,649 6/1992 Ikuma D10/129
4,351,040 9/1982 Aoki 368/220 X

[75] Inventor: **Takumi Matsuda, Tokyo, Japan**

Primary Examiner—Nelson C. Holtje
Attorney, Agent, or Firm—Bruce L. Adams; Van C. Wilks

[73] Assignee: **Seikosha Co., Ltd., Japan**

[**] Term: **14 Years**

[57] **CLAIM**

[21] Appl. No.: **482,354**

The ornamental design for a clock movement, as shown and described.

[22] Filed: **Feb. 20, 1990**

[52] U.S. Cl. **D10/129**

DESCRIPTION

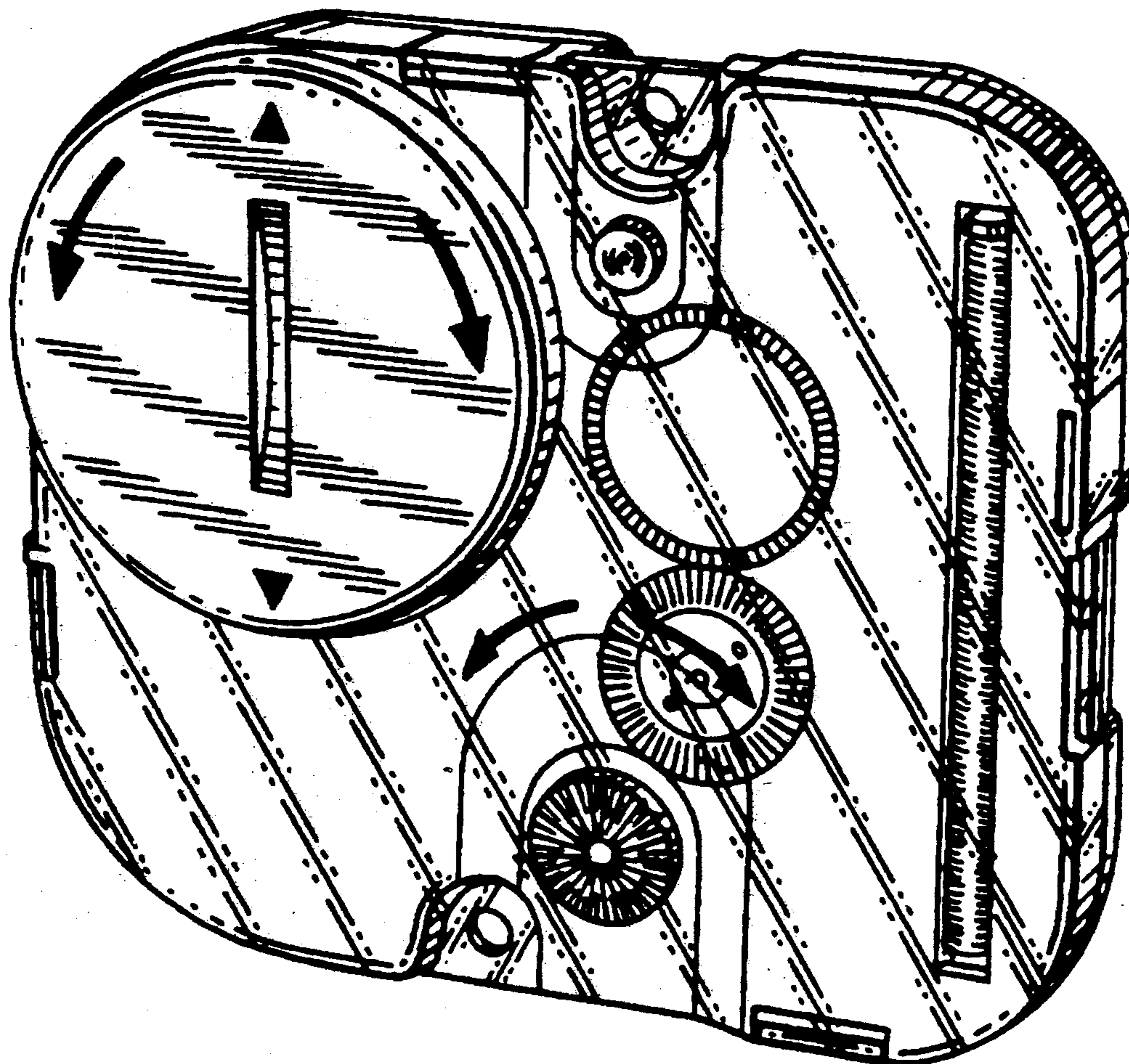
[58] Field of Search **D10/1-40,**
D10/122-132; 368/220, 204, 316, 318, 72, 250,
252, 285

FIG. 1 is a front elevational view of a clock movement showing my new design;
FIG. 2 is a rear elevational view thereof;
FIG. 3 is a top plan view thereof;
FIG. 4 is a bottom plan view thereof;
FIG. 5 is a left side elevational view thereof;
FIG. 6 is a right side elevational view thereof;
FIG. 7 is a front right perspective view thereof; and,
FIG. 8 is a rear right perspective view thereof.

[56] **References Cited**

U.S. PATENT DOCUMENTS

D. 311,353 10/1990 Suzuki D10/129
D. 319,603 9/1991 Ikuma D10/129
D. 326,239 5/1992 Hatano D10/129



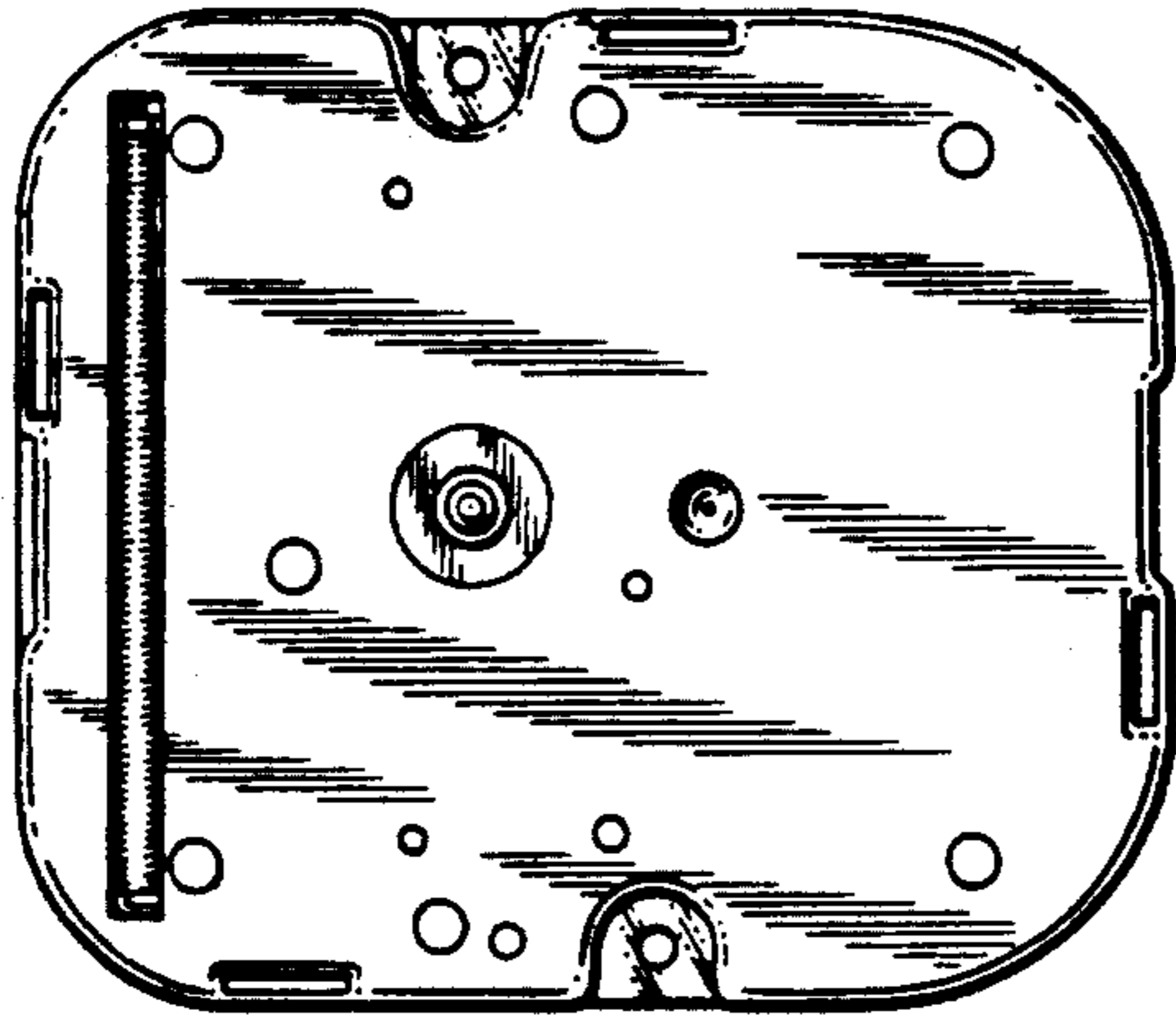


FIG. 1

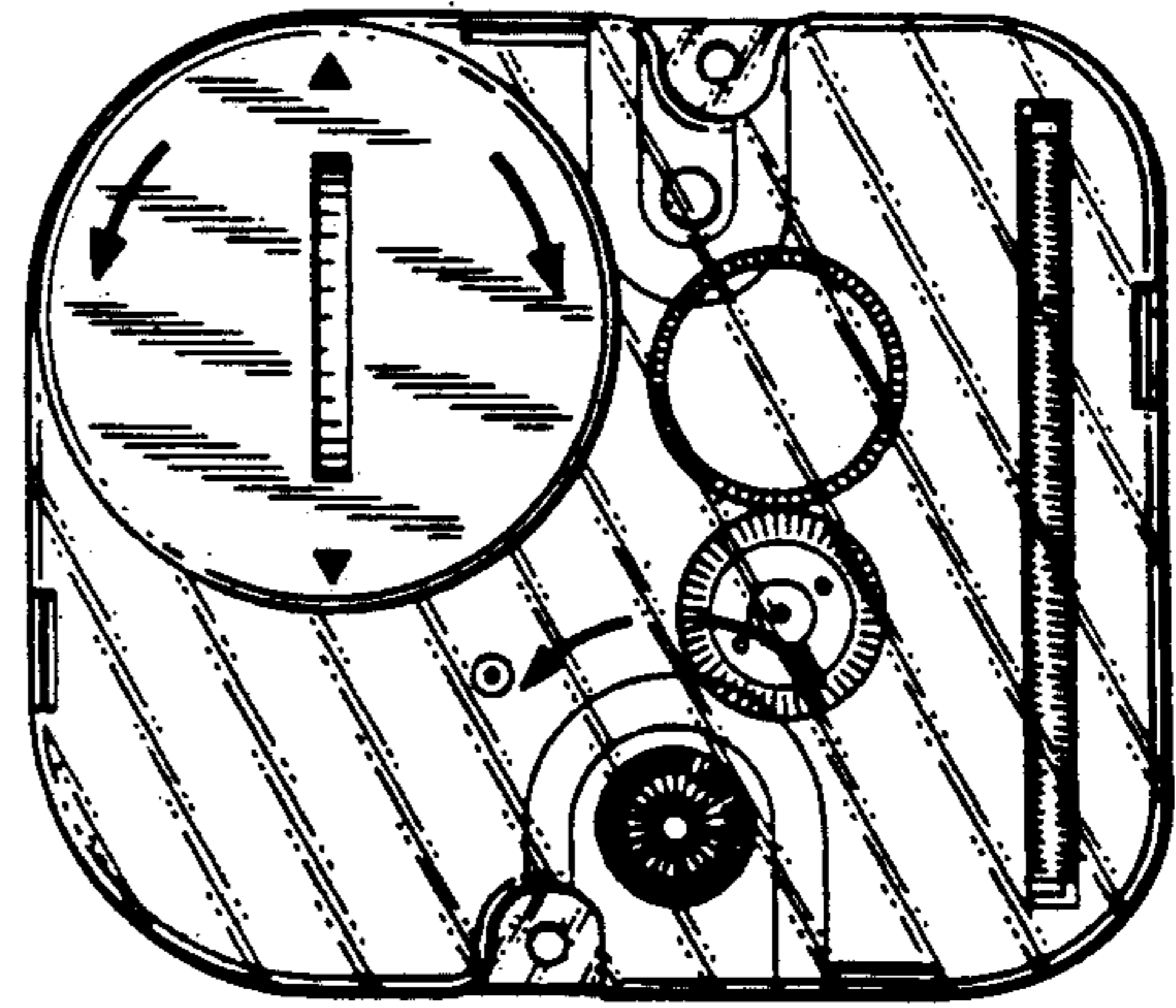


FIG. 2

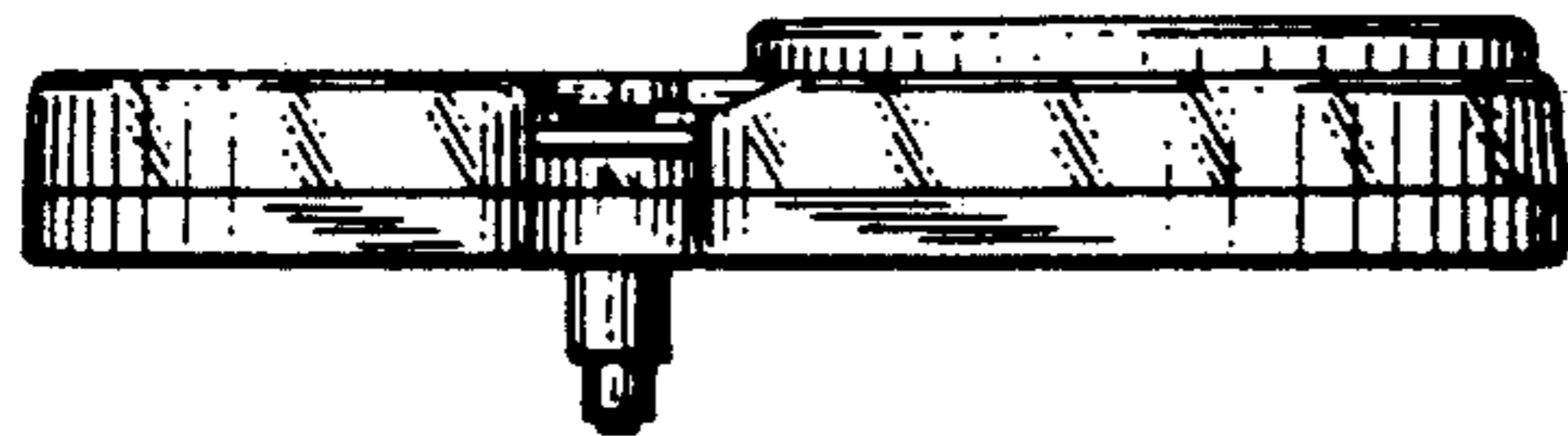


FIG. 3

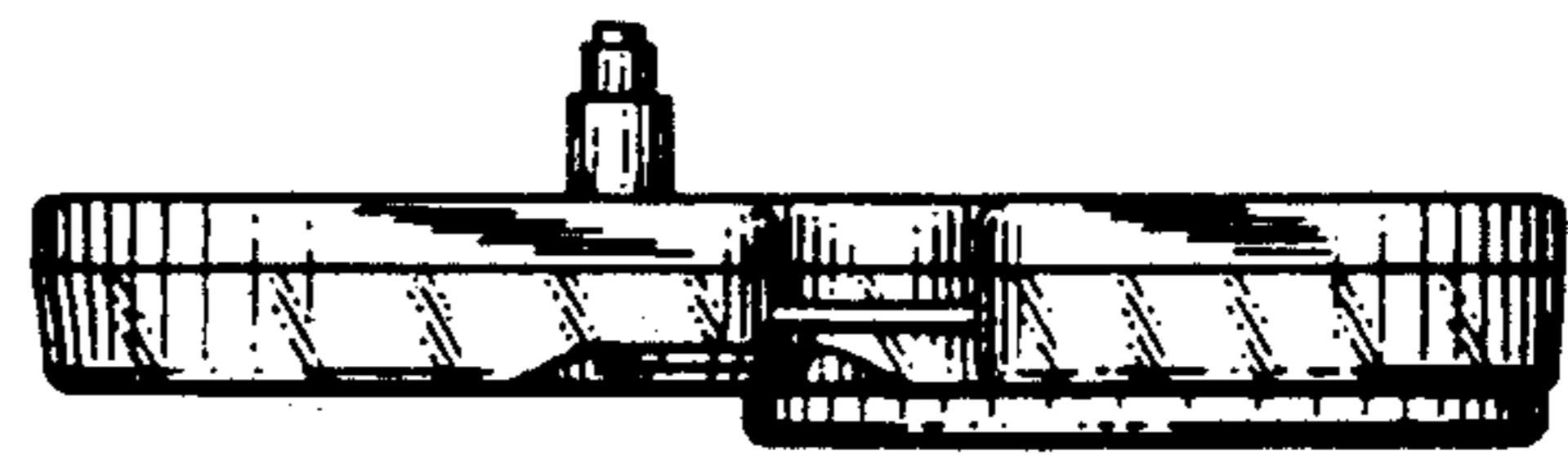


FIG. 4

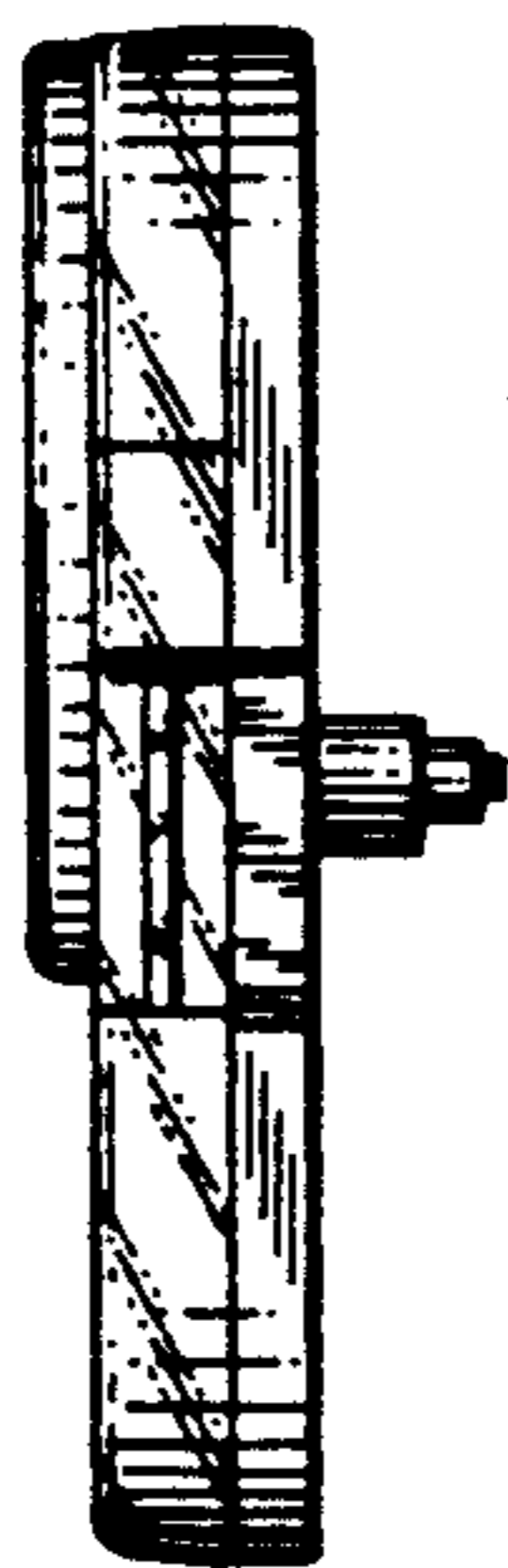


FIG. 5

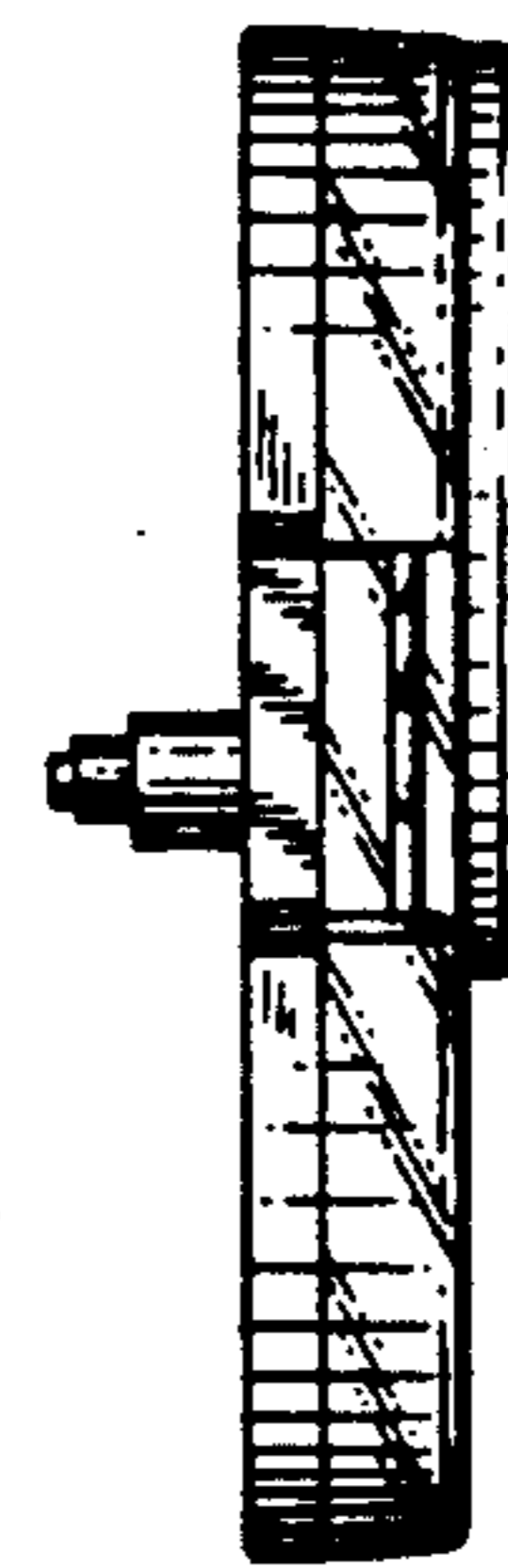


FIG. 6

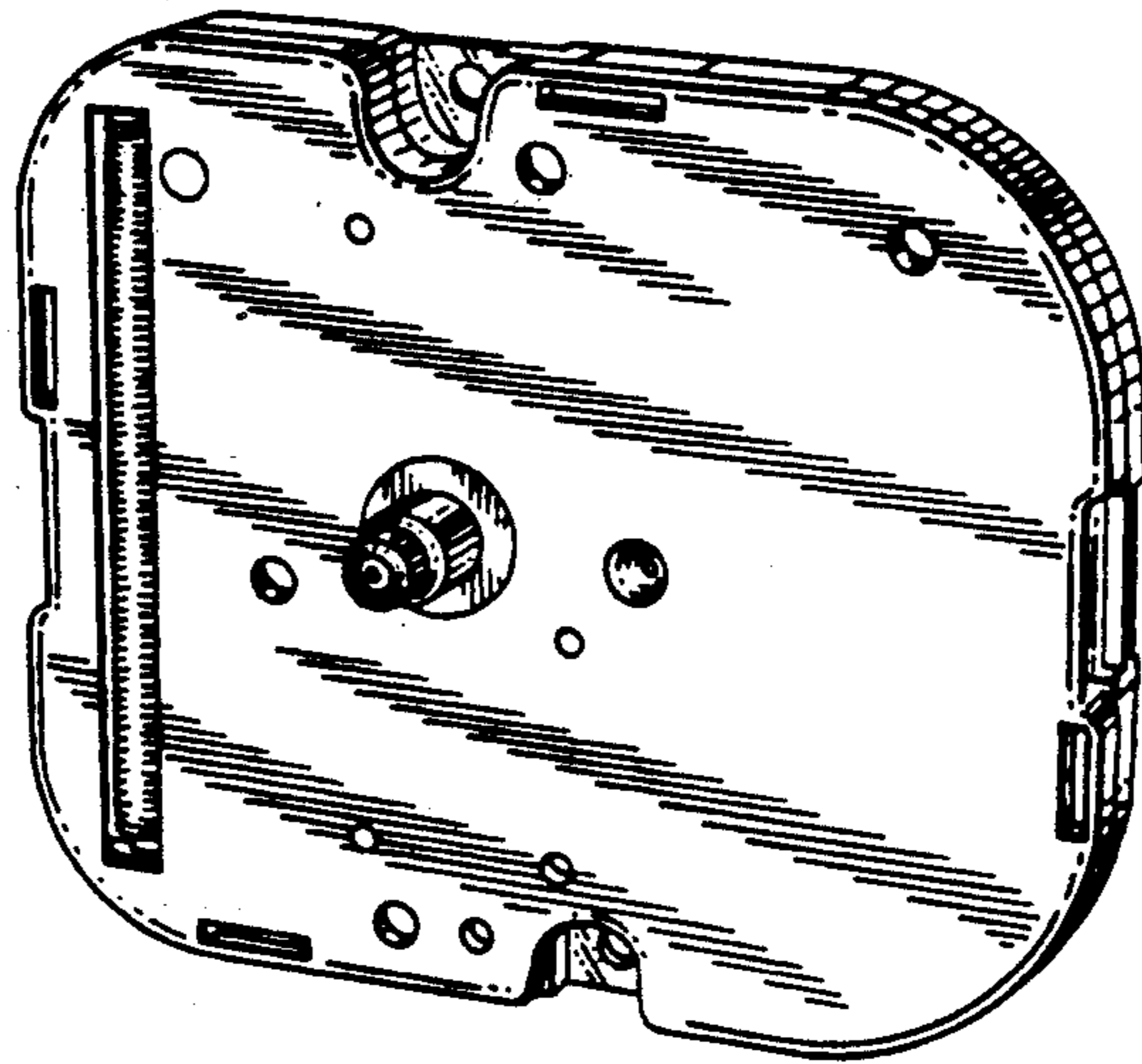


FIG. 7

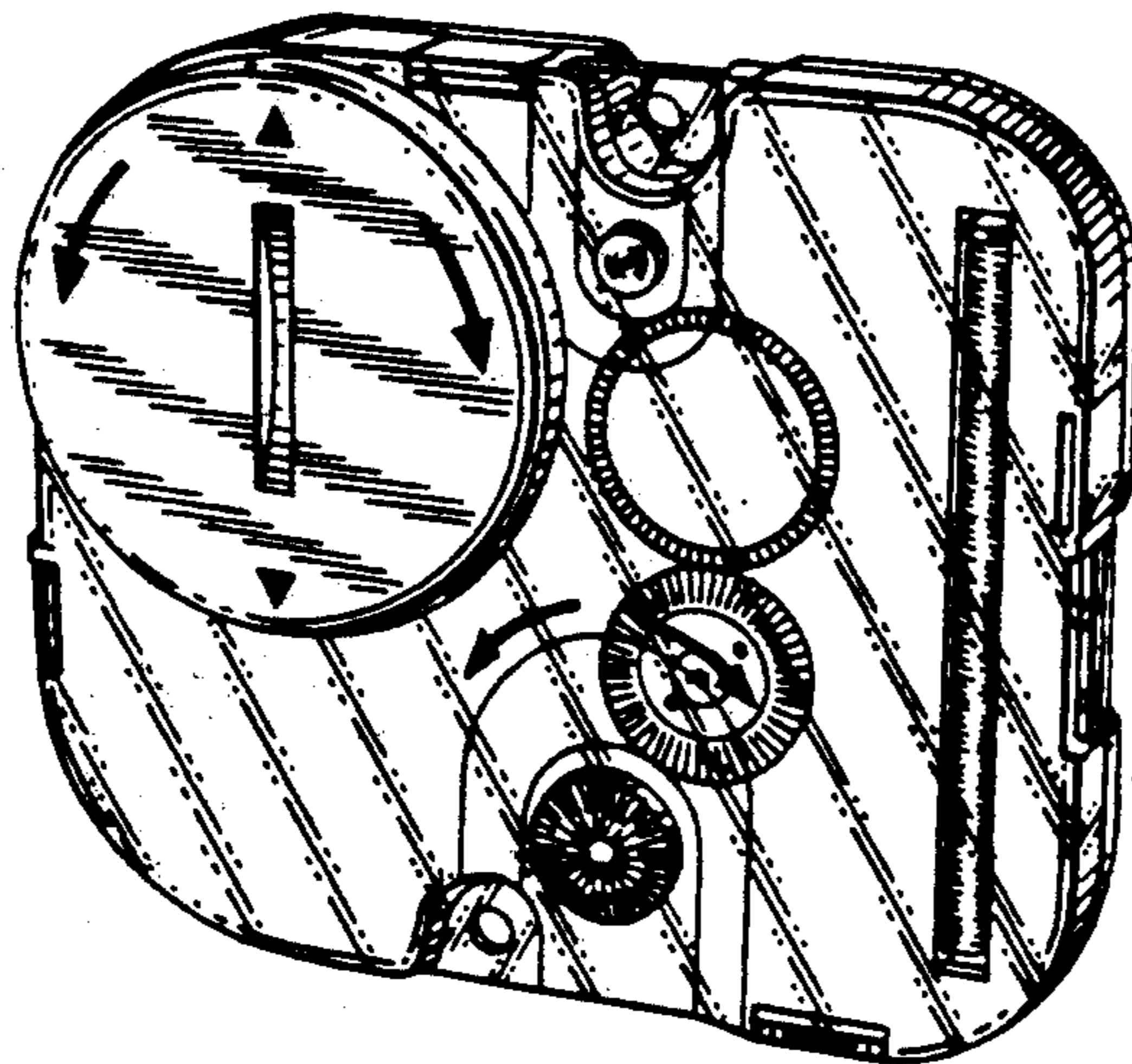


FIG. 8