



US00D333992S

United States Patent [19]

Anderson

[11] Patent Number: **Des. 333,992**

[45] Date of Patent: **** Mar. 16, 1993**

[54] **POCKET COLORIMETER**

[75] Inventor: **Mark E. Anderson, Loveland, Colo.**

[73] Assignee: **Hach Company, Loveland, Colo.**

[**] Term: **14 Years**

[21] Appl. No.: **637,760**

[22] Filed: **Jan. 7, 1991**

[52] U.S. Cl. **D10/81**

[58] Field of Search **D10/46, 78, 81;**
D24/216, 231, 232; 356/402-411, 244,
412-422, 432-435

4,986,665 1/1991 Yamanishi et al. 356/402
 5,013,155 1/1991 Rybak 356/408
 5,037,614 8/1991 Makita et al. 356/402 X
 5,083,868 1/1992 Anderson D10/81 X

Primary Examiner—Alan P. Douglas
Assistant Examiner—Antoine D. Davis
Attorney, Agent, or Firm—Dean P. Edmundson

[57] CLAIM

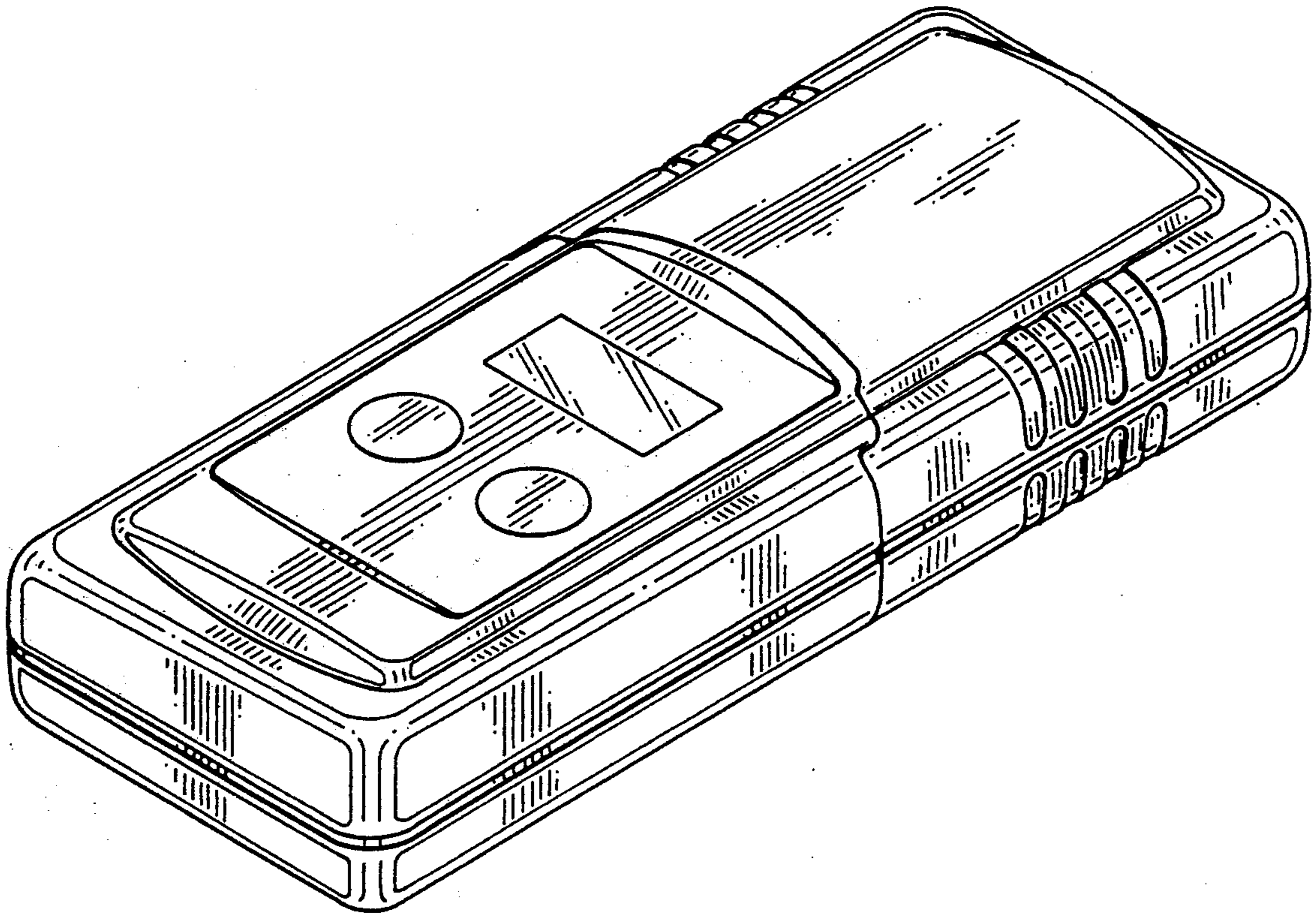
The ornamental design for a pocket colorimeter, as shown.

DESCRIPTION

FIG. 1 is a front perspective view of a colorimeter showing my new design;
 FIG. 2 is a top plan view of the colorimeter;
 FIG. 3 is a left side elevational view of the colorimeter; the right side elevational view is a mirror image thereof;
 FIG. 4 is a bottom view of the colorimeter; and,
 FIG. 5 is a front elevational view of the colorimeter; the rear elevational view is a mirror image thereof.

[56] **References Cited**
U.S. PATENT DOCUMENTS

D. 318,245 7/1991 Sierra et al. D10/81
 D. 321,488 11/1991 Sierra et al. D10/81
 4,266,877 5/1981 Bodart 356/419 X
 4,349,081 10/1985 Ace 356/419 X



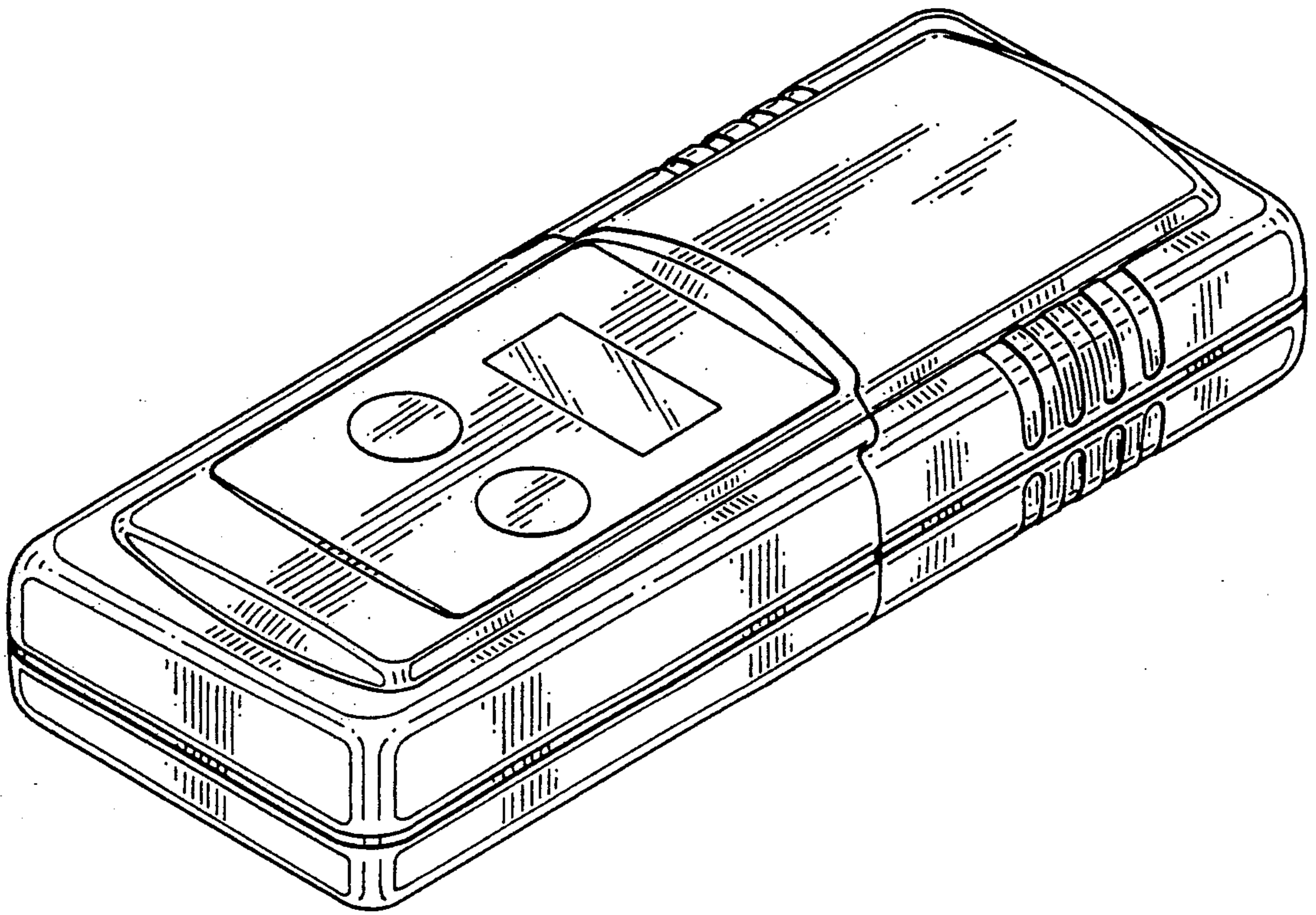


FIG. 1

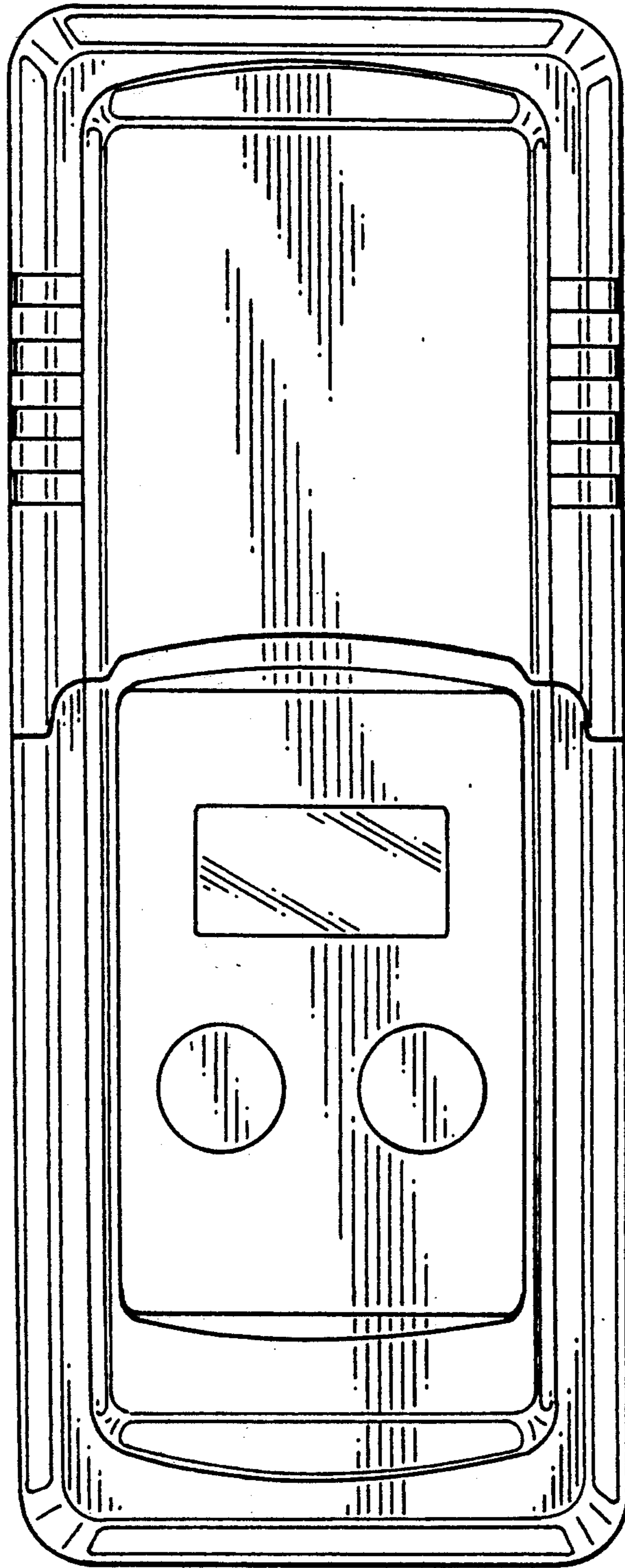


FIG. 2

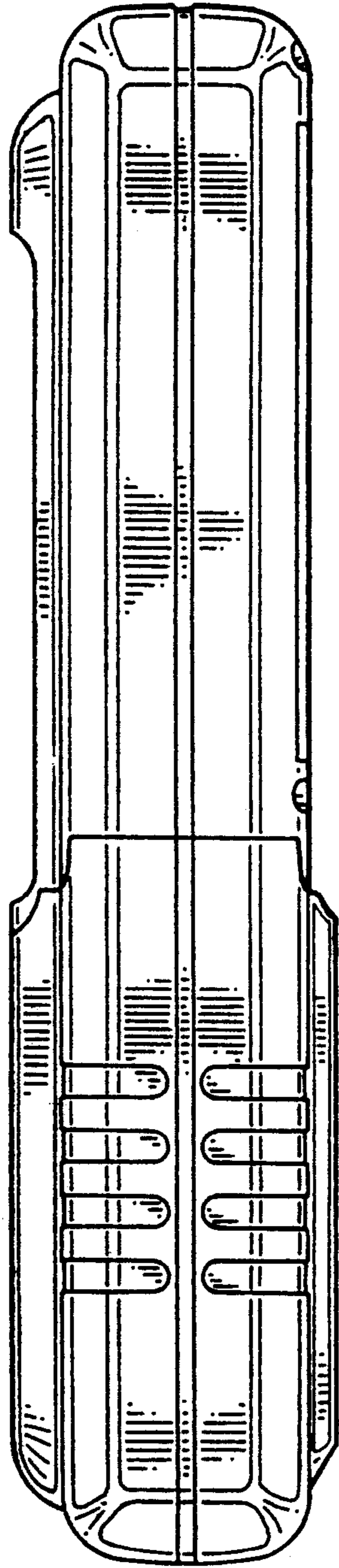


FIG. 3

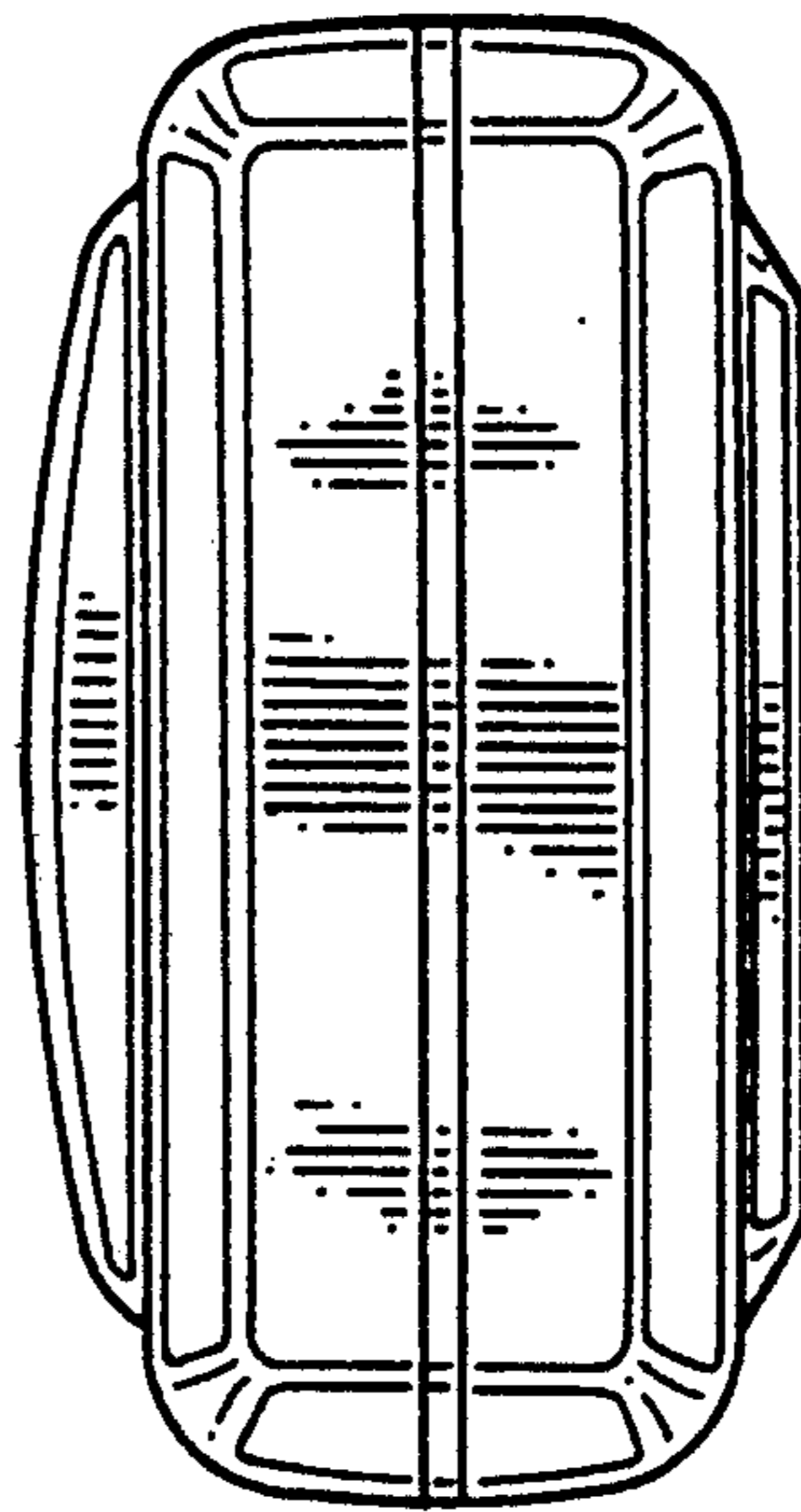


FIG. 5

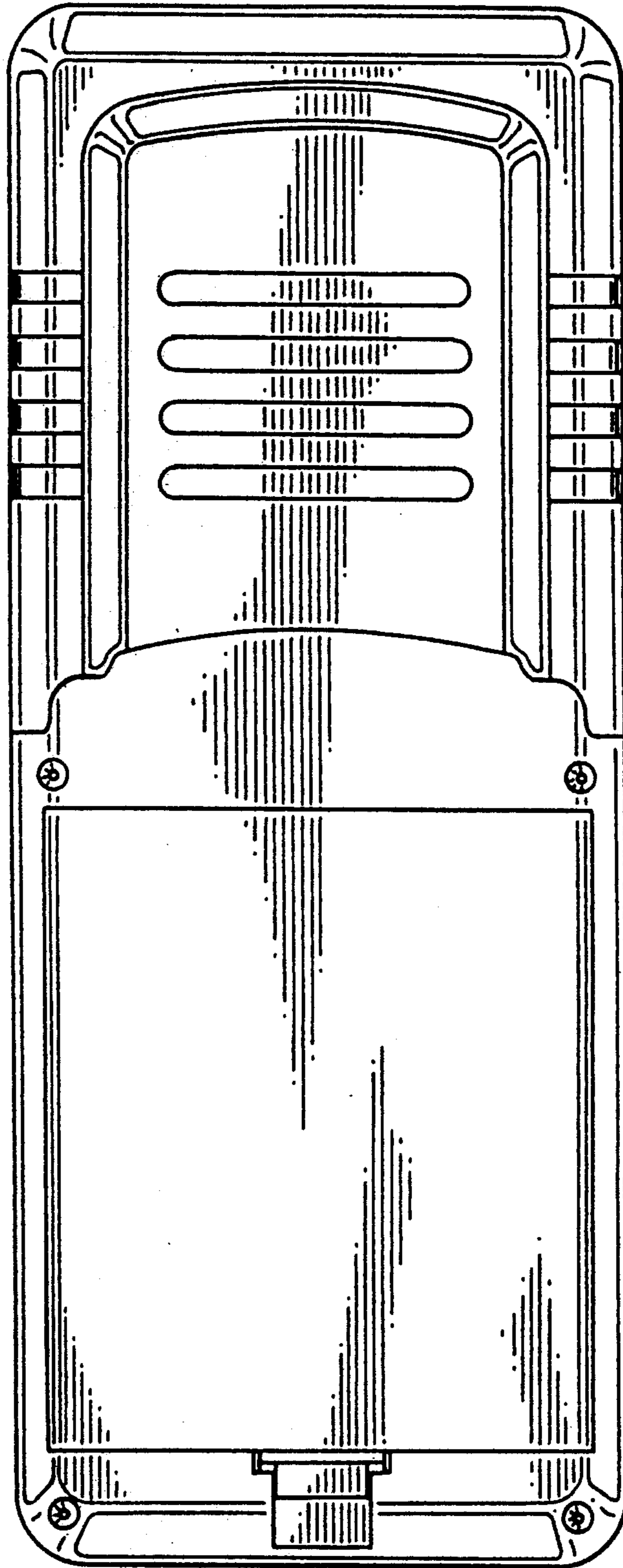


FIG. 4