



US00D333979S

United States Patent [19]

[11] Patent Number: **Des. 333,979**

Cloutier

[45] Date of Patent: **** Mar. 16, 1993**

[54] **PAINT CAN FUNNEL**

[76] Inventor: **Lionel M. Cloutier, 15 Preble St., Groveton, N.H. 03582**

[**] Term: **14 Years**

[21] Appl. No.: **614,101**

[22] Filed: **Oct. 30, 1990**

[52] U.S. Cl. **D9/447; D9/434**

[58] Field of Search **D9/434, 447; D7/700; 141/331-345, 98.1, 311; 222/566, 570-571**

2,915,611 7/1960 Weiffenbach .
3,032,177 5/1962 Majors .
3,982,570 9/1976 DeVoe D7/700

Primary Examiner—Bernard Ansher
Assistant Examiner—Dominic Simone
Attorney, Agent, or Firm—Terry M. Gernstein

[57] **CLAIM**

The ornamental design for a paint can funnel, as shown and described.

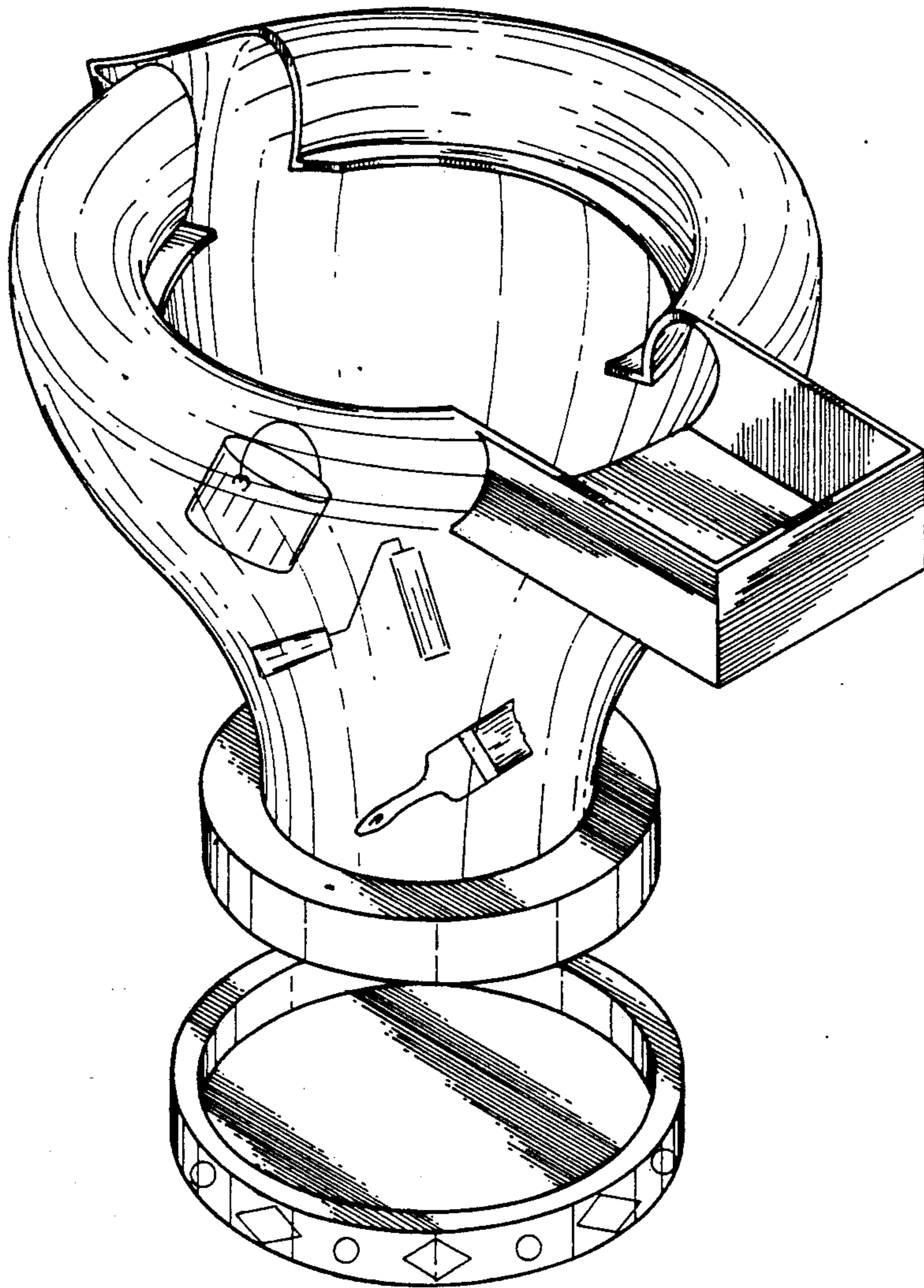
DESCRIPTION

FIG. 1 is a rear top perspective exploded view of a paint can funnel showing my new design; FIG. 2 is a left side elevational view thereof; FIG. 3 is a right side elevational view thereof; FIG. 4 is a front elevational view thereof; FIG. 5 is a rear elevational view thereof; FIG. 6 is a top plan view thereof; and, FIG. 7 is a bottom view thereof.

[56] **References Cited**

U.S. PATENT DOCUMENTS

D. 179,640	2/1957	Hartung et al.	D9/447
D. 197,928	4/1964	Johnson	D9/447
D. 309,558	7/1990	Ayyoubi et al.	D7/700
D. 320,551	10/1991	Wilson	D9/447
2,786,614	3/1957	Guisto	222/570
2,788,152	4/1957	Broadbelt .	



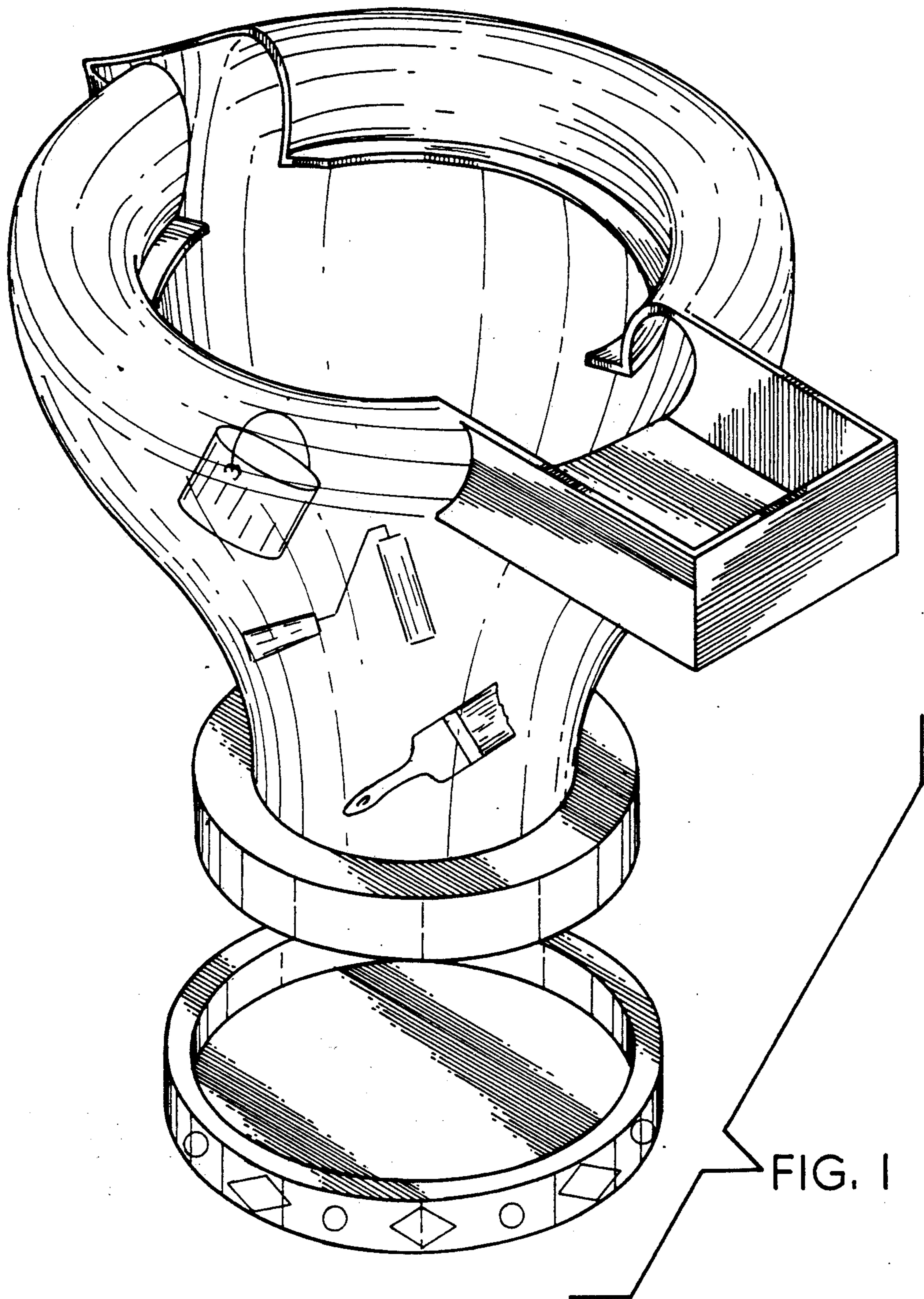


FIG. 7

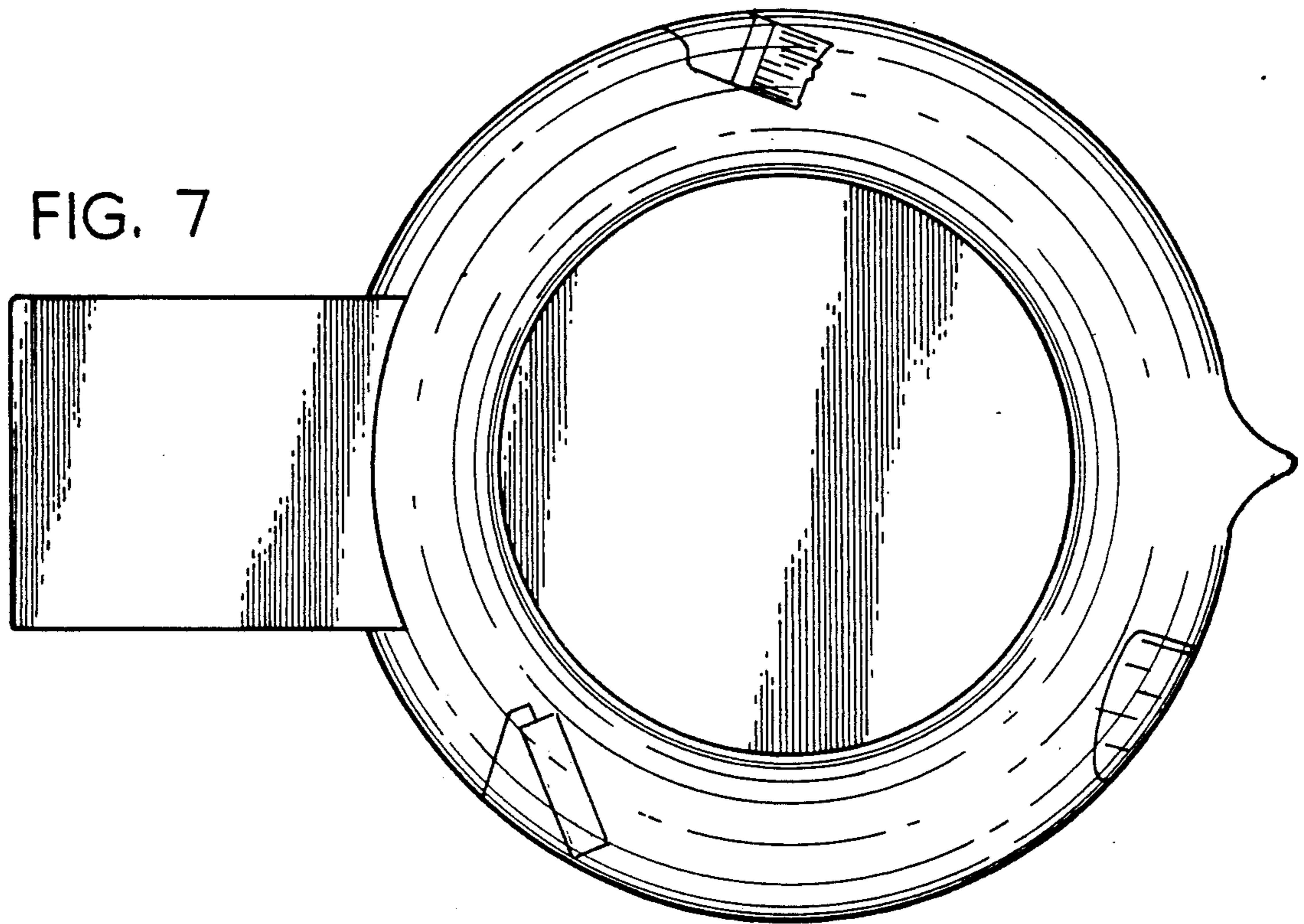
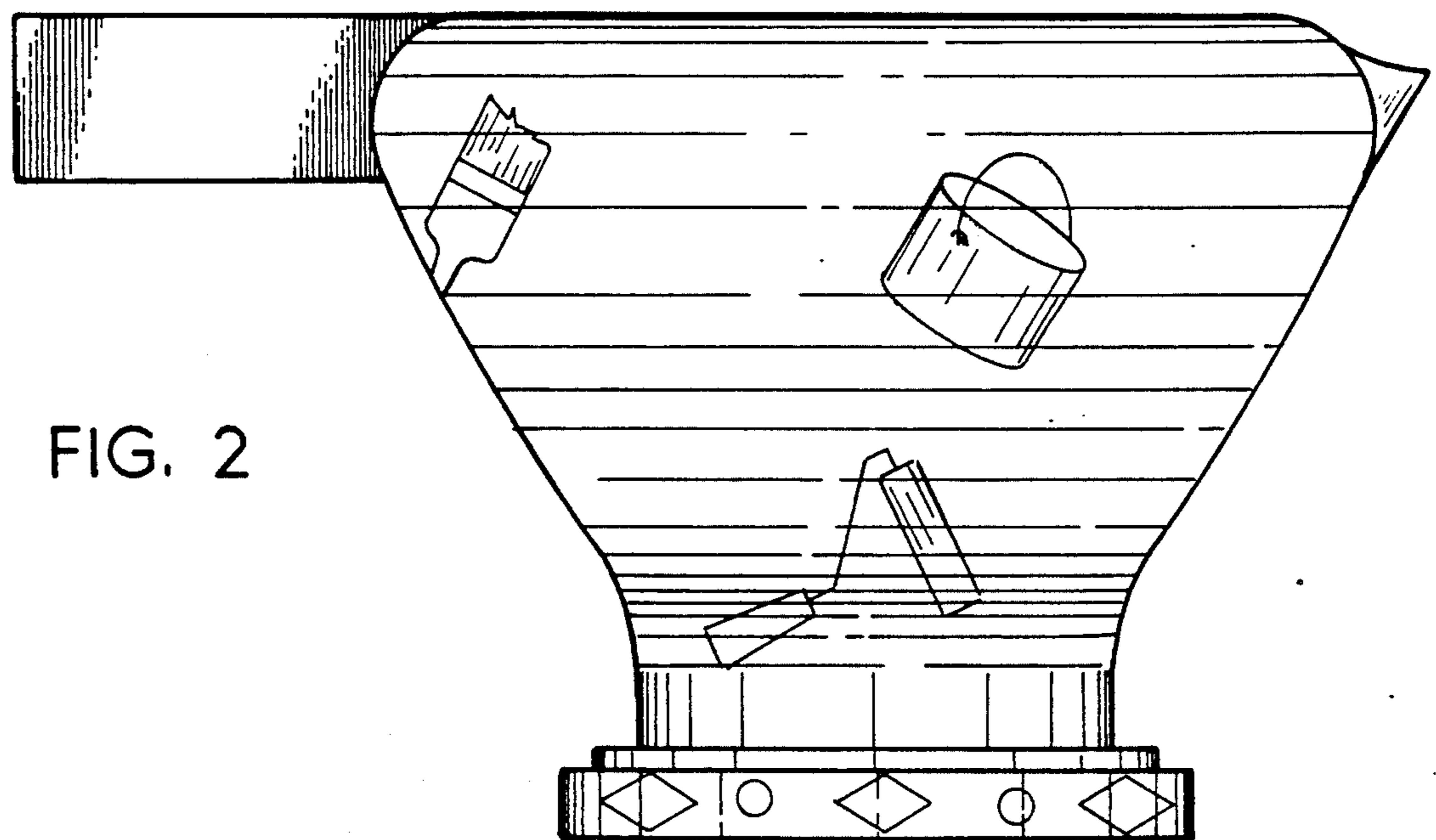


FIG. 2



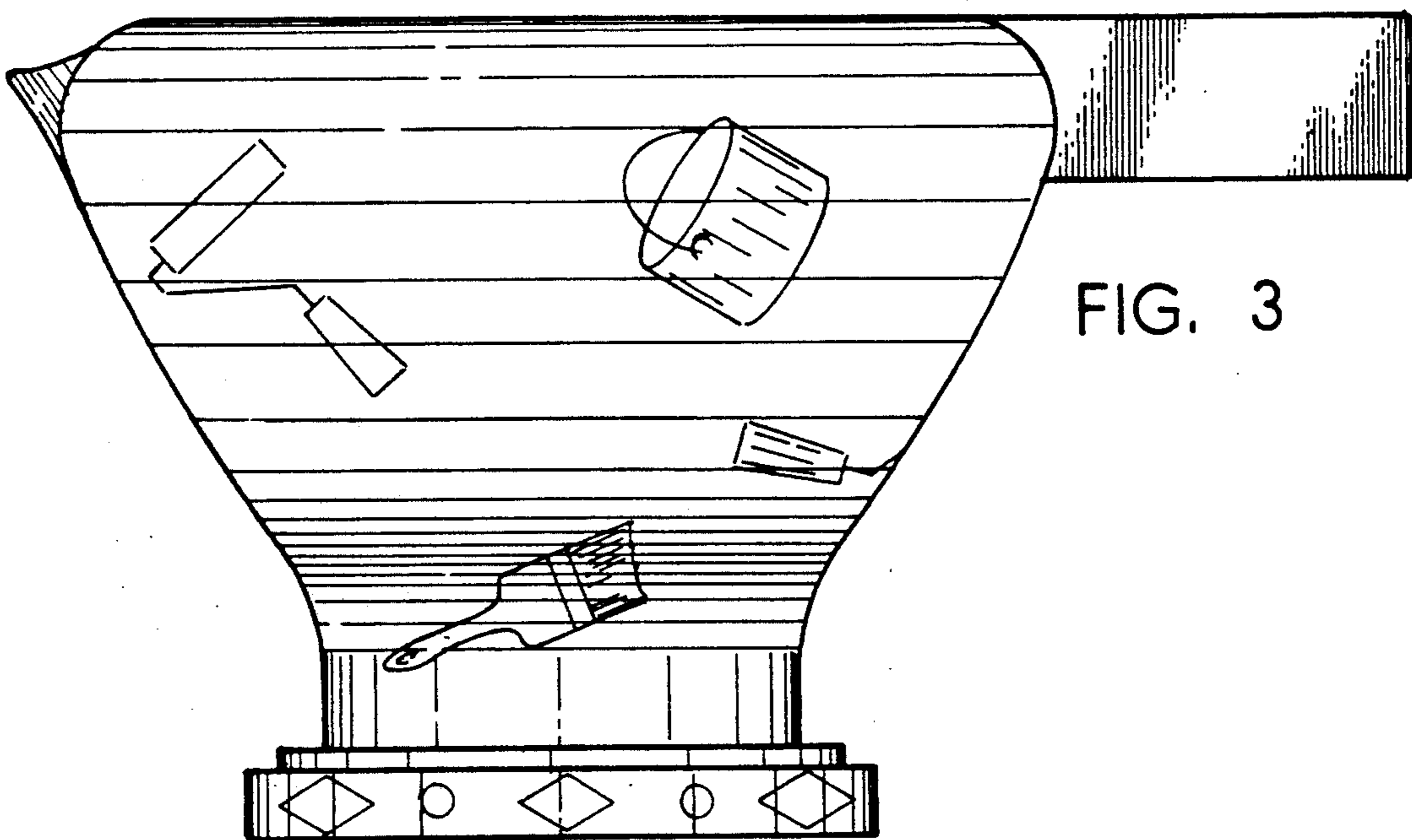
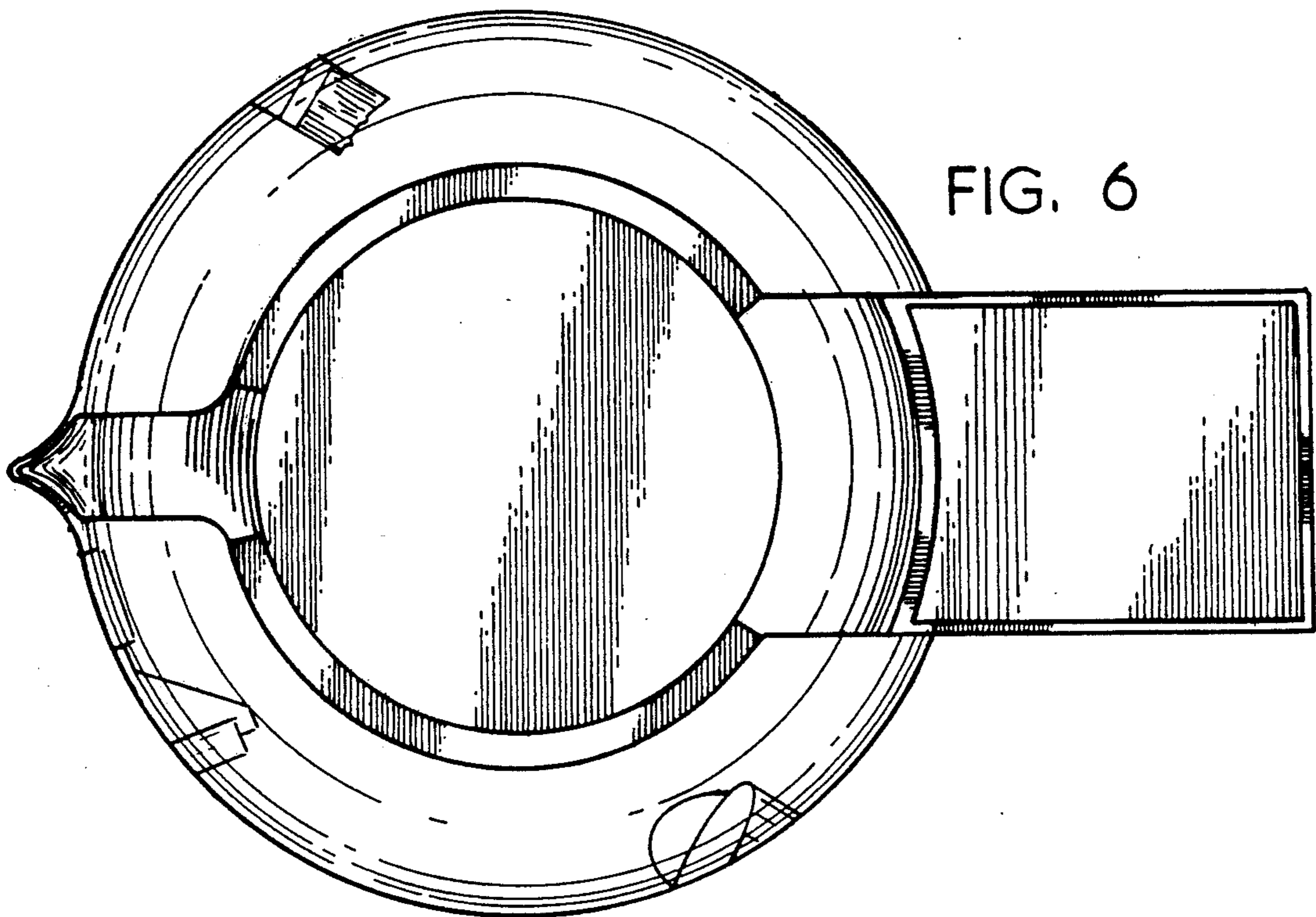


FIG. 4

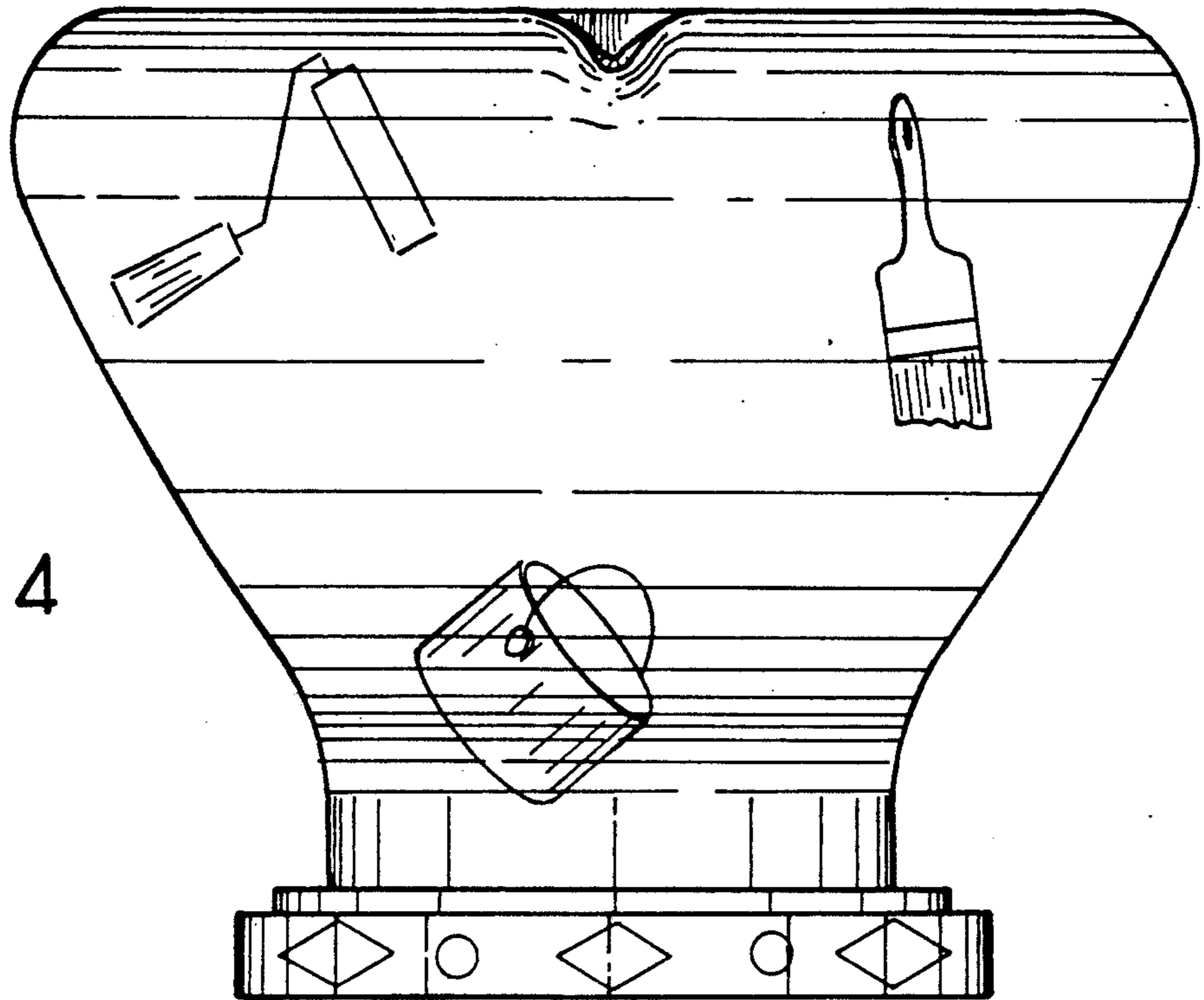


FIG. 5

