



US00D333969S

# United States Patent [19]

[11] Patent Number: Des. 333,969

Merchel

[45] Date of Patent: \*\* Mar. 16, 1993

## [54] LOCK FOR SECURING SHOPPING CARTS WHEN NESTED TOGETHER

[75] Inventor: Horst Merchel, Bietigheim, Fed. Rep. of Germany

[73] Assignee: Vendoret Holding S.A., Luxembourg-Hesperange, Luxembourg

[\*\*] Term: 14 Years

[21] Appl. No.: 502,426

[22] Filed: Mar. 29, 1990

### [30] Foreign Application Priority Data

Sep. 30, 1989 [DE] Fed. Rep. of Germany ..... 8905424

[52] U.S. Cl. .... D8/331

[58] Field of Search ..... D8/330-331; 70/57, 14, 58, 62-63; 194/205, 212, 247, 905

### [56] References Cited

#### U.S. PATENT DOCUMENTS

4,545,591	10/1985	Balha	70/57	X
4,573,564	3/1986	Rheeder et al.	194/905	X
4,691,816	9/1987	Trubiano	194/905	X

### FOREIGN PATENT DOCUMENTS

0157943	12/1984	European Pat. Off.	.
0199274	4/1986	European Pat. Off.	.
0231934	3/1987	European Pat. Off.	.
3714115	11/1988	Fed. Rep. of Germany	.

Primary Examiner—Brian N. Vinson  
Attorney, Agent, or Firm—Herbert Dubno; Ronald Lianides

### [57] CLAIM

The ornamental design for a lock for securing shopping carts when nested together, as shown and described.

### DESCRIPTION

FIG. 1 is a top, front, and left side perspective view of a lock for securing shopping carts when nested together showing my new design, the right side being a mirror image of the left;

FIG. 2 is a front elevational view thereof;

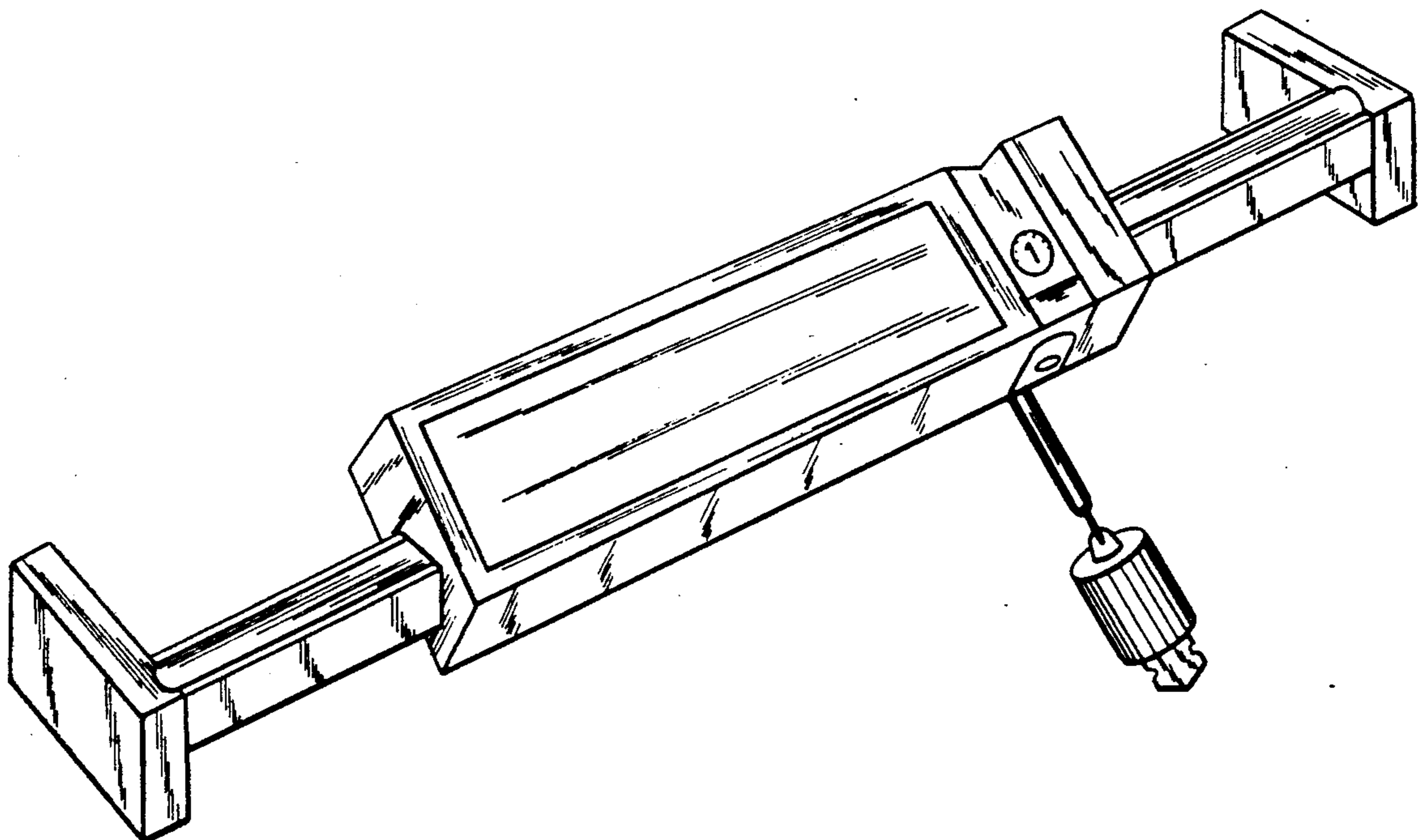
FIG. 3 is a rear elevational view thereof;

FIG. 4 is a top plan view thereof;

FIG. 5 is a bottom plan view thereof;

FIG. 6 is a vertical cross-sectional view thereof, taken along line 6—6 of FIG. 2; and,

FIG. 7 is a vertical cross-sectional view thereof, taken along line 7—7 of FIG. 2.



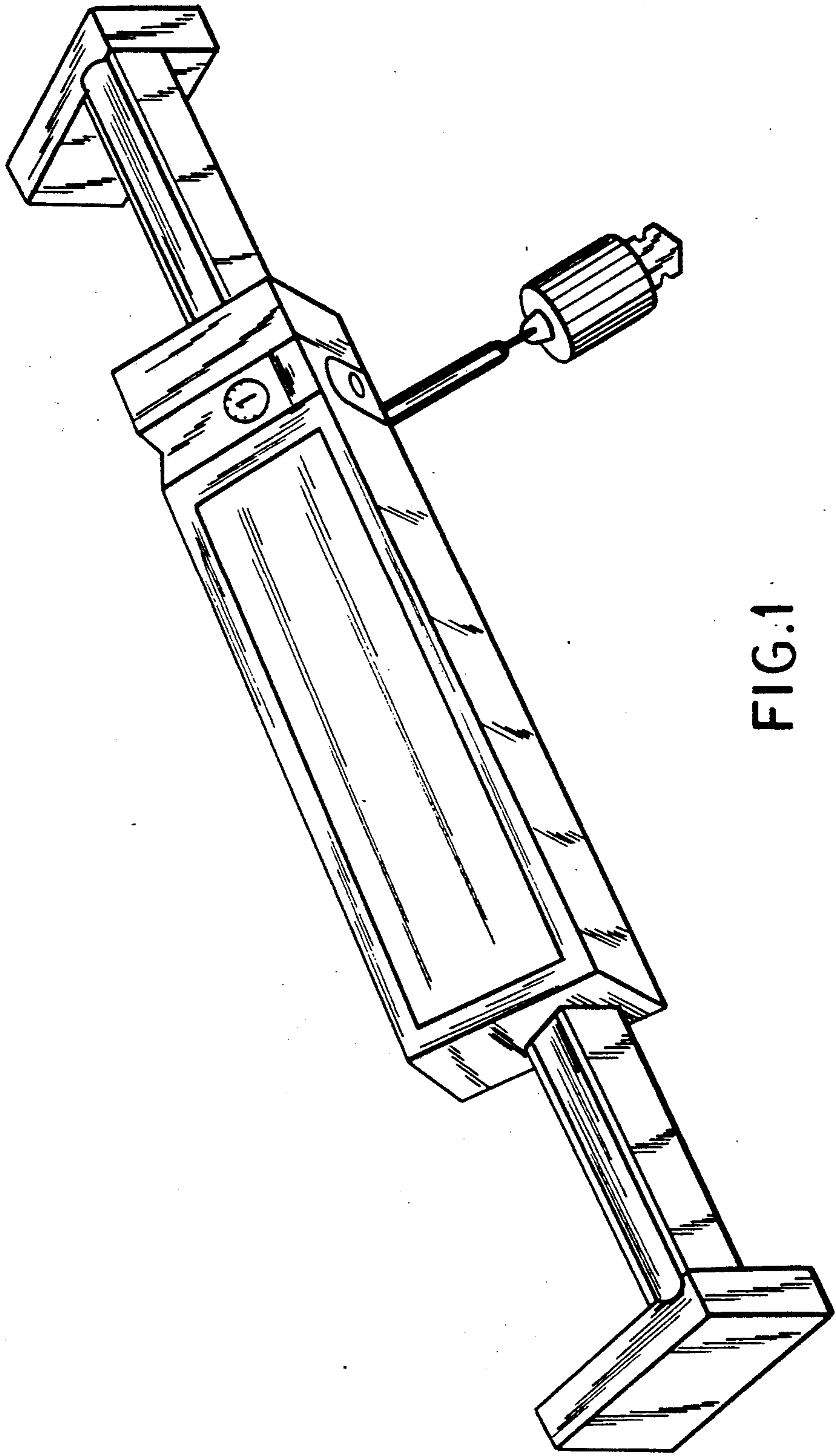


FIG. 1

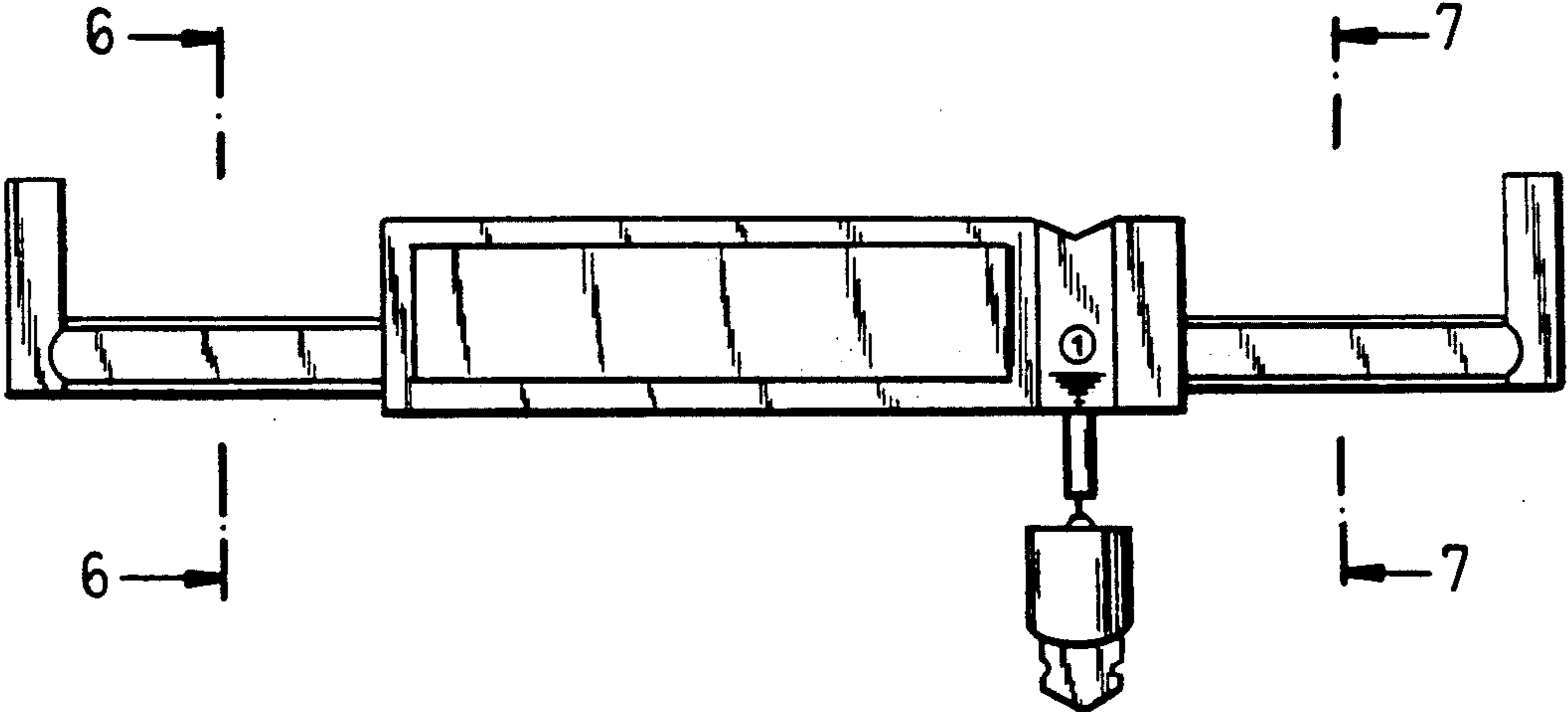


FIG. 2

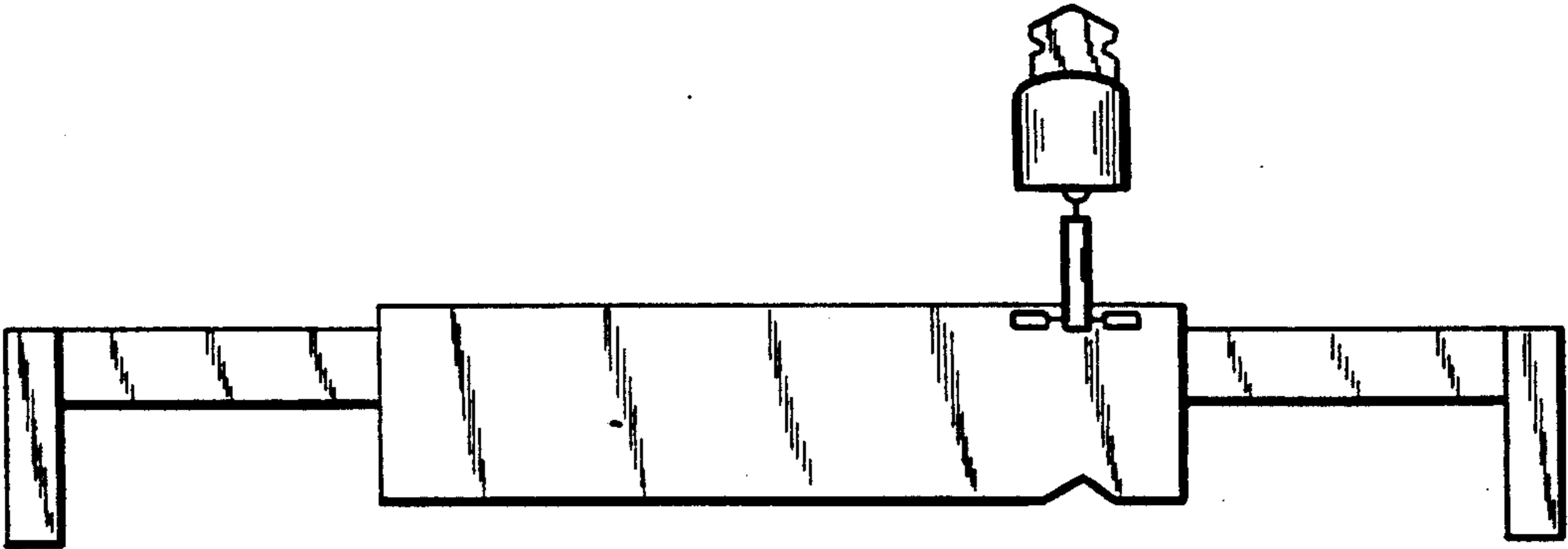


FIG. 3

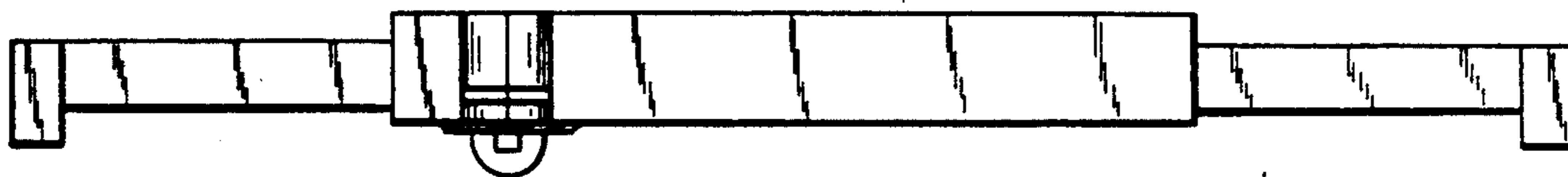


FIG. 4



FIG. 5

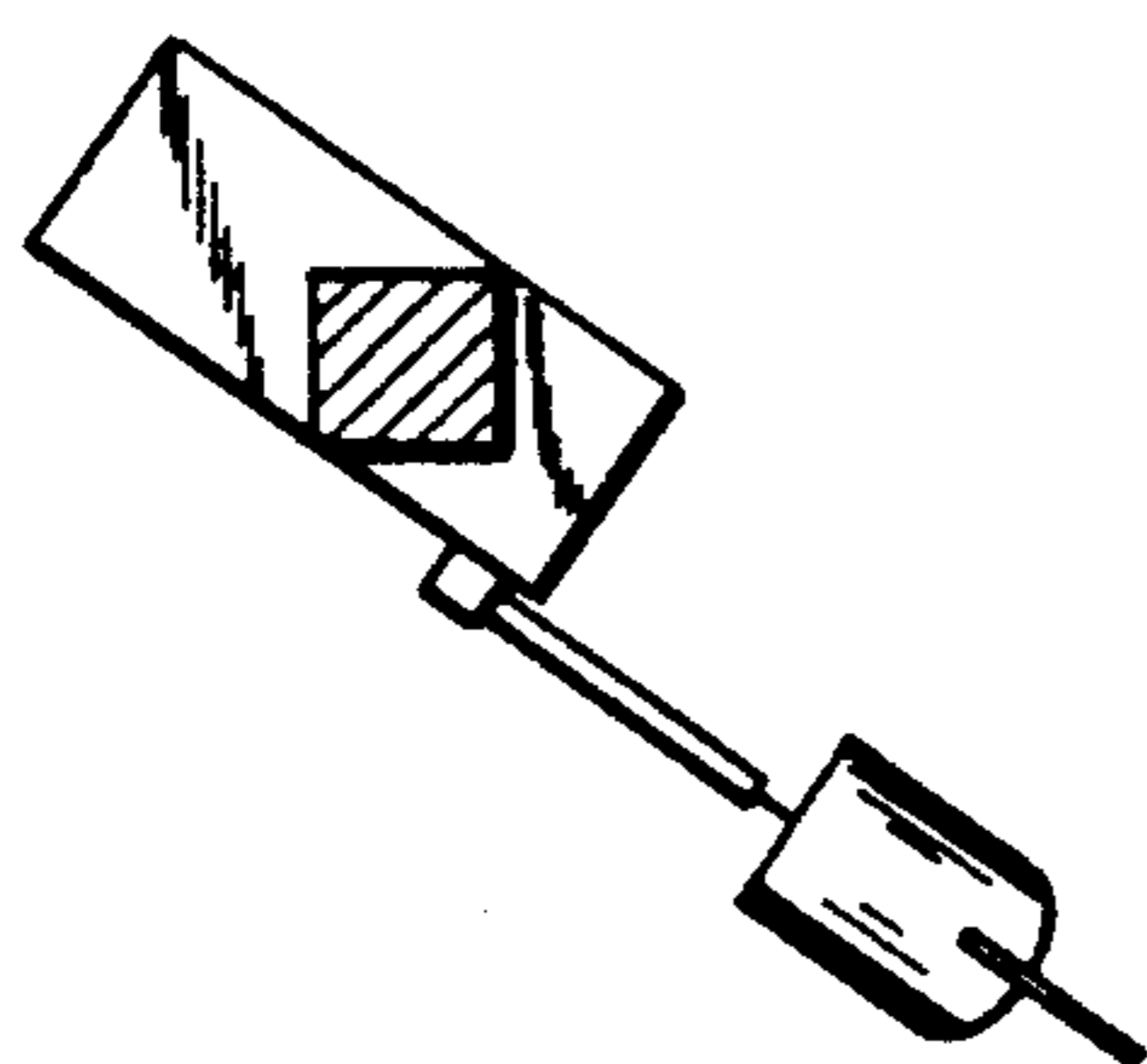


FIG. 6

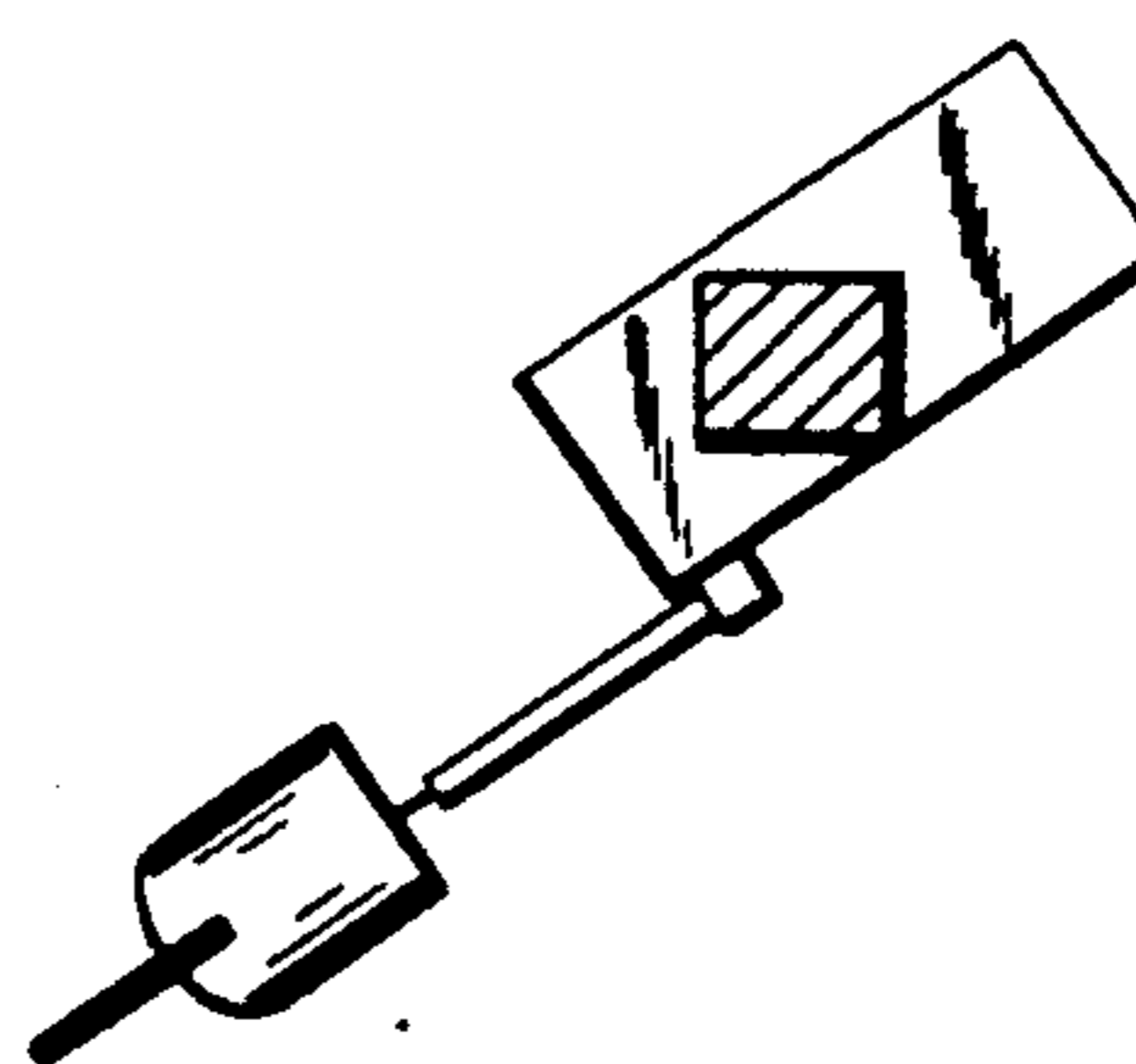


FIG. 7