



US00D333965S

United States Patent [19] Wood

[11] Patent Number: Des. 333,965

[45] Date of Patent: ** Mar. 16, 1993

[54] SHARPENER FOR DISPOSABLE RAZORS

[76] Inventor: John Wood, 735 Chain St.,
Norristown, Pa. 19401

[**] Term: 14 Years

[21] Appl. No.: 611,133

[22] Filed: Nov. 8, 1990

[52] U.S. Cl. D8/92

[58] Field of Search D8/90, 91, 92, 93;
51/158; 29/78, 79, 80; 76/81, 82, 84

[56] References Cited

U.S. PATENT DOCUMENTS

1,983,739	12/1934	Dazey	51/158
2,045,365	6/1936	Pilliod	30/36
2,086,257	7/1937	Cotteral	51/158
2,374,419	4/1945	Clarke	51/158
2,375,251	5/1945	Ryall	51/158
2,429,334	10/1947	Smith	51/158

2,530,499	11/1950	Auerbach	30/36
2,566,809	9/1951	Risley et al.	76/82
3,101,536	8/1963	Bringewald	30/36
3,854,251	12/1974	Paule	51/158

Primary Examiner—Bernard Ansher
Assistant Examiner—Philip Hyder
Attorney, Agent, or Firm—Terry M. Gernstein

[57] CLAIM

The ornamental design for a sharpener for disposable razors, as shown and described.

DESCRIPTION

FIG. 1 is a perspective view of a sharpener for disposable razors showing my new design;
FIG. 2 is a front elevational view thereof;
FIG. 3 is a rear elevational view thereof;
FIG. 4 is a left side elevational view thereof, the right side being a mirror image;
FIG. 5 is a top plan view thereof; and,
FIG. 6 is a bottom plan view thereof.

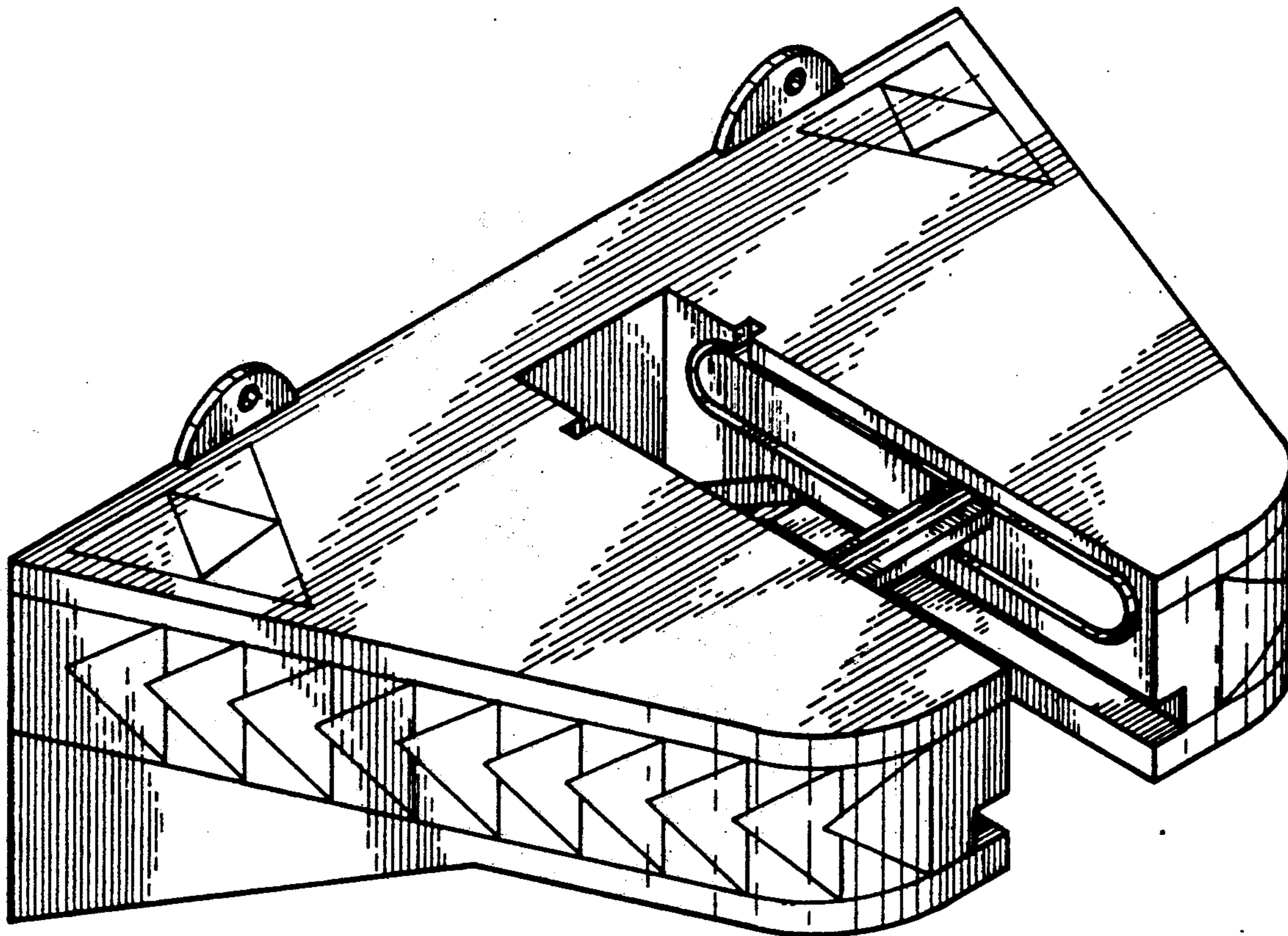


FIG. 1

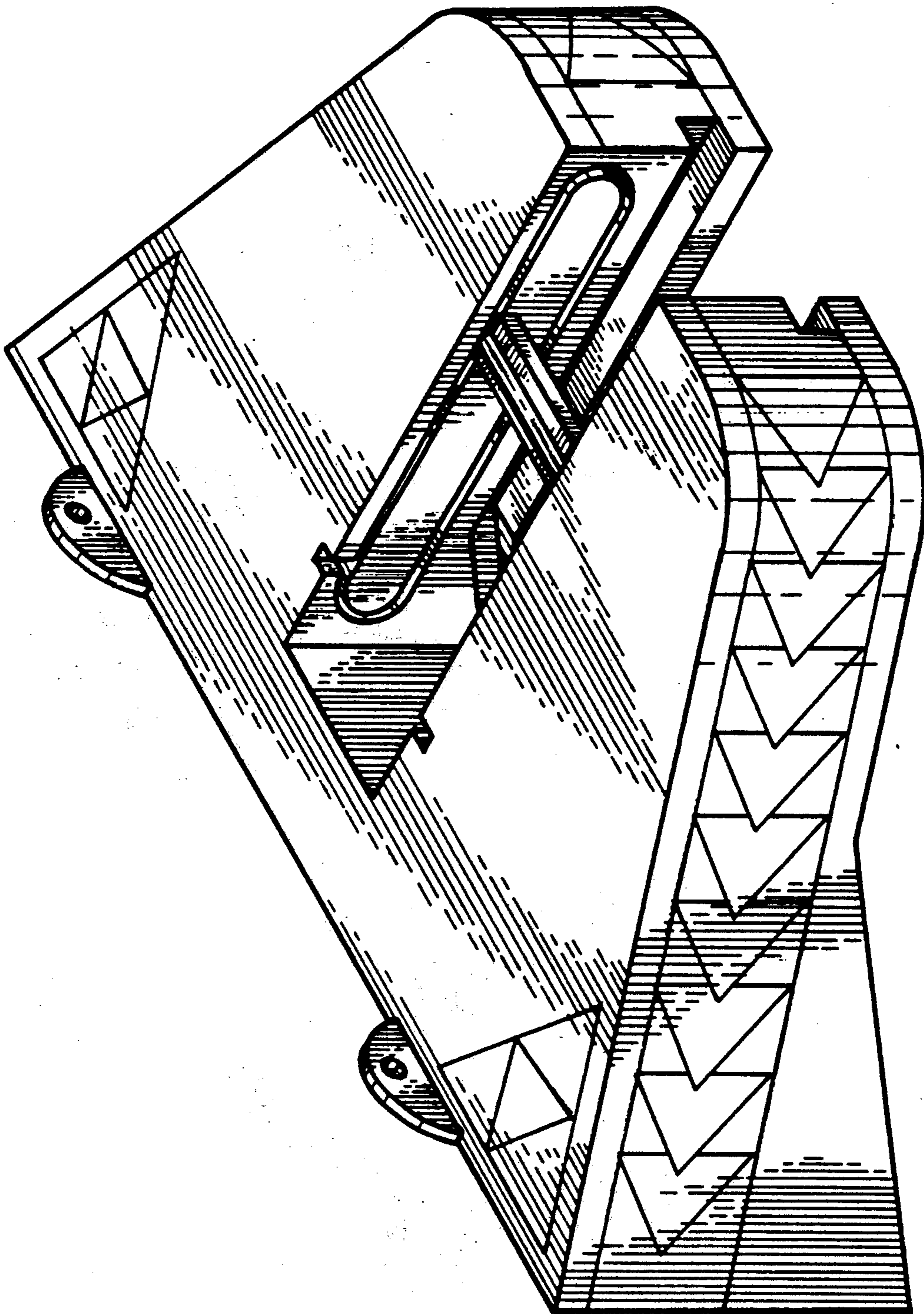


FIG. 2

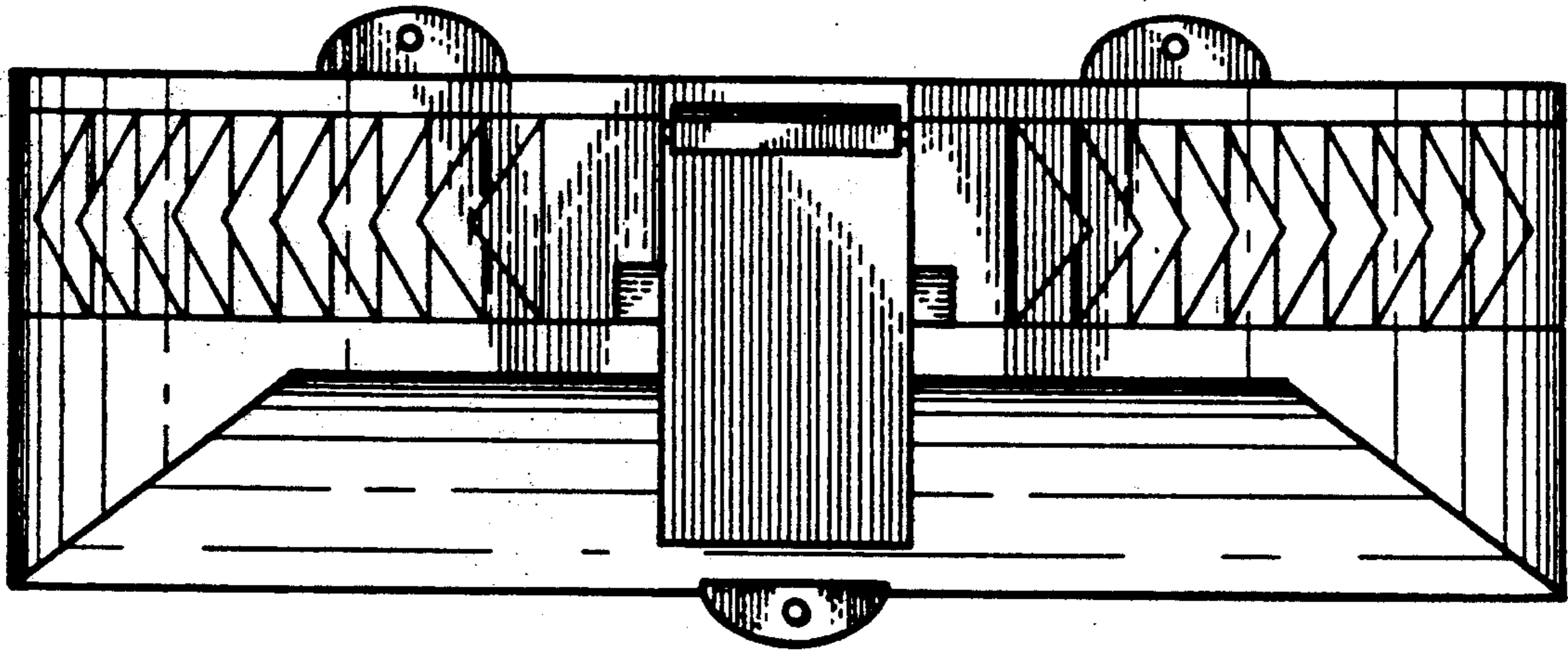


FIG. 5

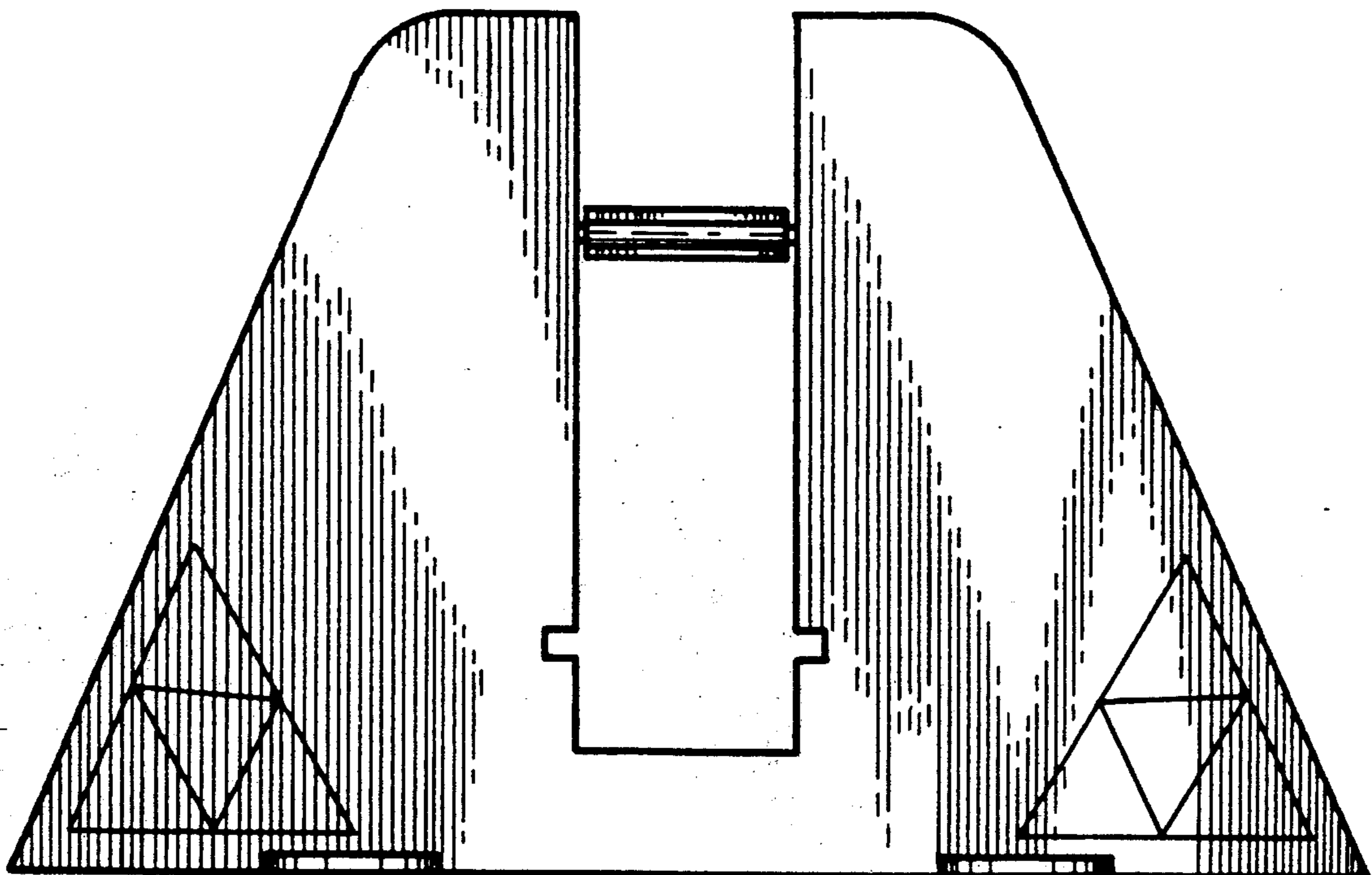


FIG. 3

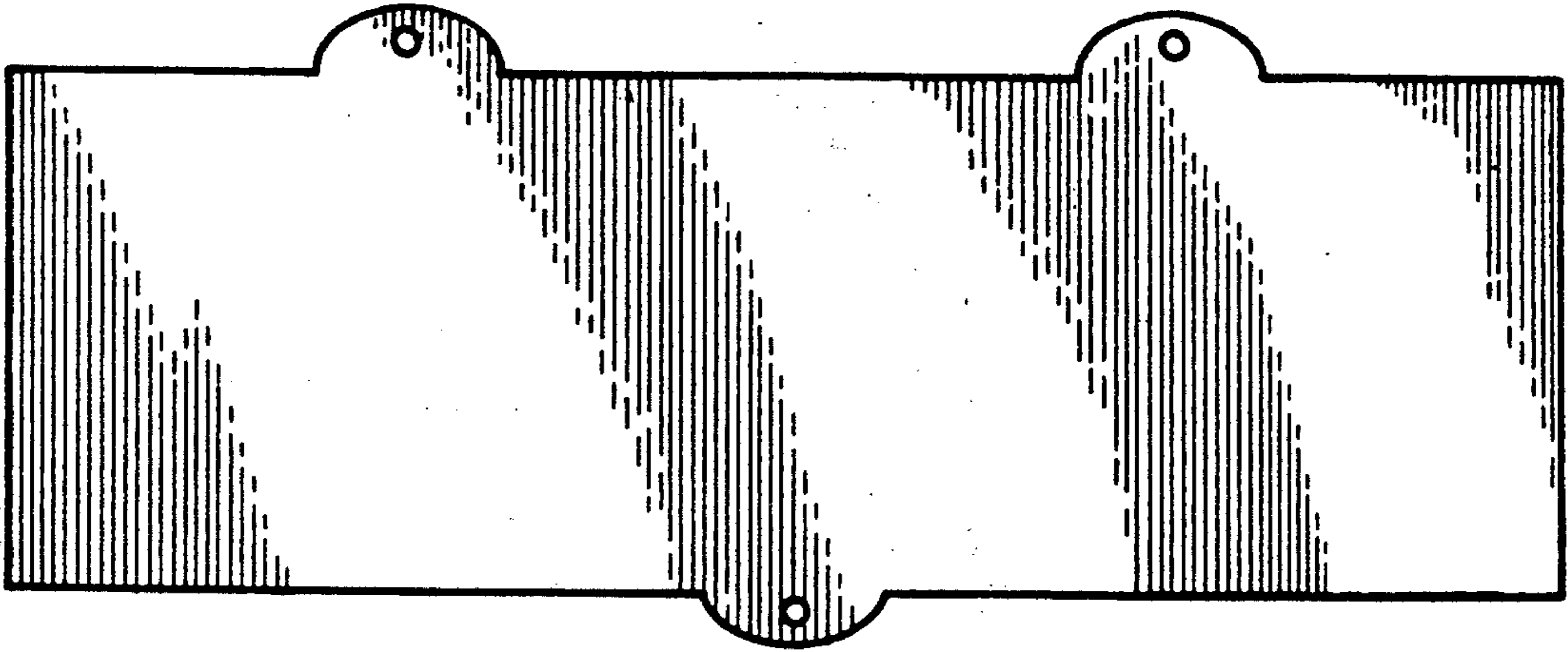
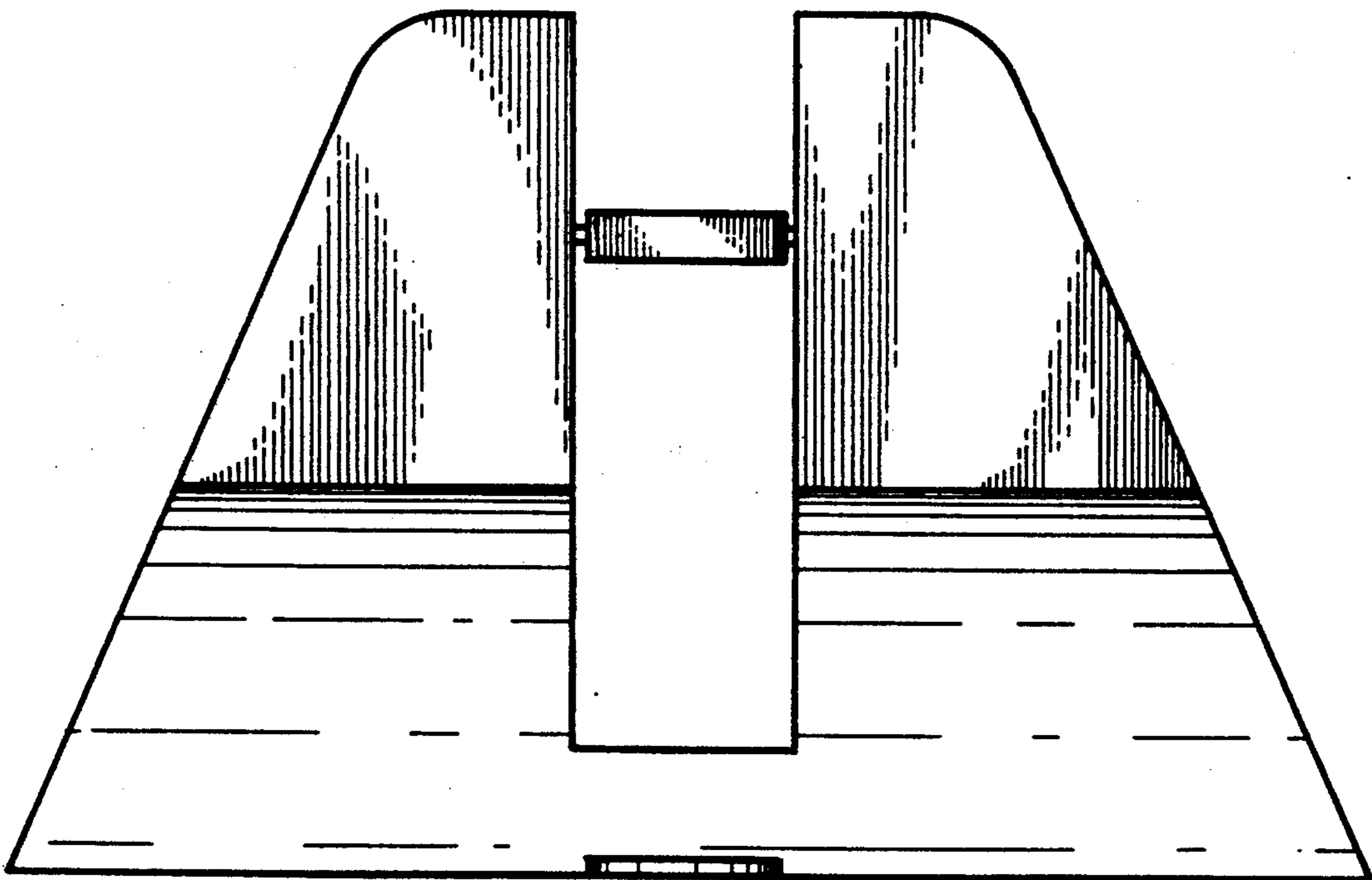


FIG. 6



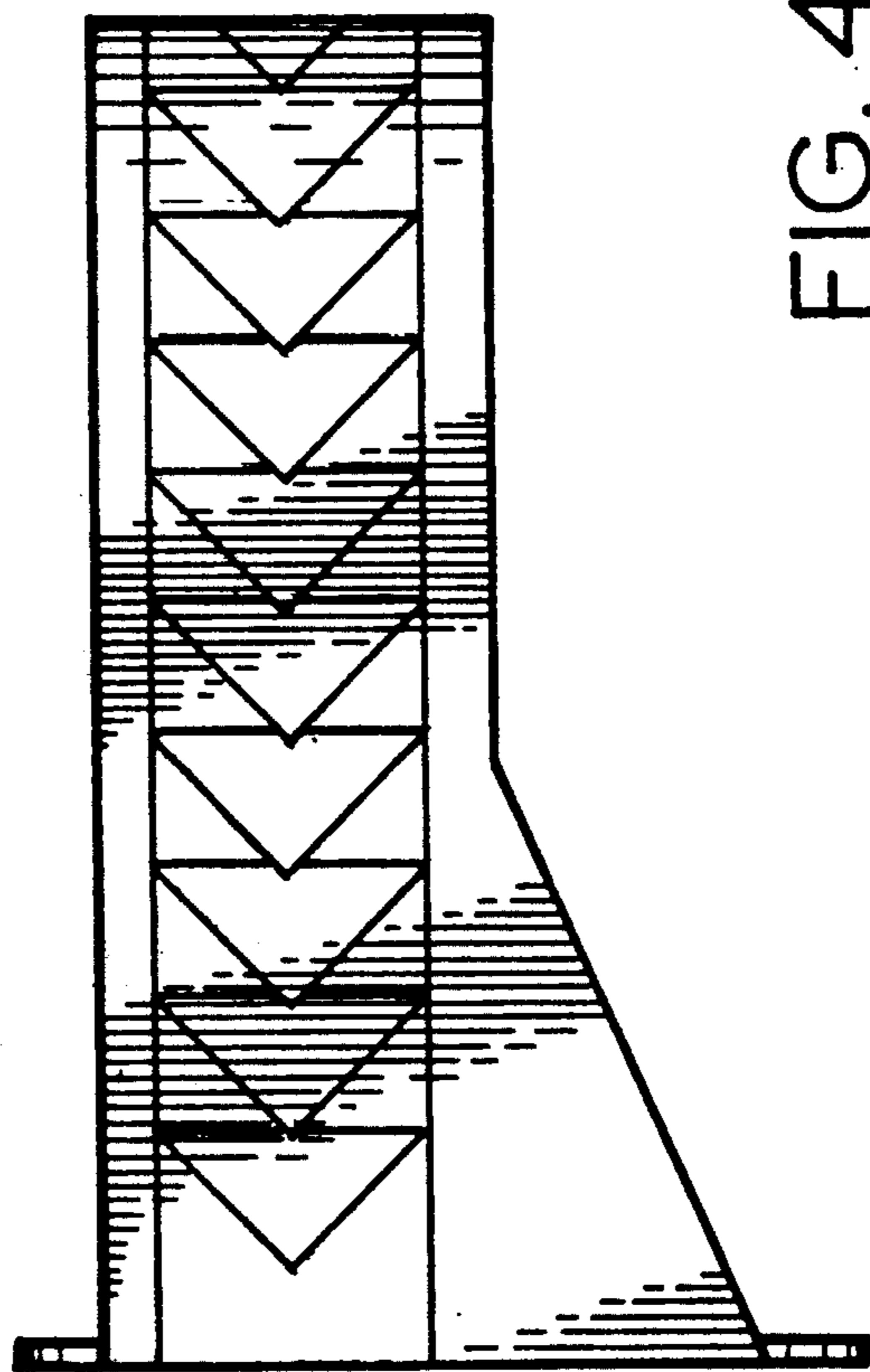


FIG. 4