



US00D333964S

# United States Patent [19]

Alexander

[11] Patent Number: **Des. 333,964**

[45] Date of Patent: **\*\* Mar. 16, 1993**

[54] **COMBINED CONDUIT REAMER AND SCREWDRIVER**

4,768,406 9/1988 Fitzwater ..... 81/177.1

[76] Inventor: **Dean R. Alexander**, 9635 Elm, Taylor, Mich. 48180

[\*\*] Term: **14 Years**

[21] Appl. No.: **531,546**

[22] Filed: **Jun. 1, 1990**

[52] U.S. Cl. .... **D8/82**

[58] Field of Search ..... **D8/14, 82, 83, 87; 81/436, 177.1; 7/165**

### OTHER PUBLICATIONS

Klein Tools Catalog, 1985, p. 60, 11A14, Conduit Reamer.

*Primary Examiner*—Bernard Ansher  
*Assistant Examiner*—Philip Hyder  
*Attorney, Agent, or Firm*—Krass & Young

### [57] CLAIM

The ornamental design for the combined conduit reamer and screwdriver, as shown and described.

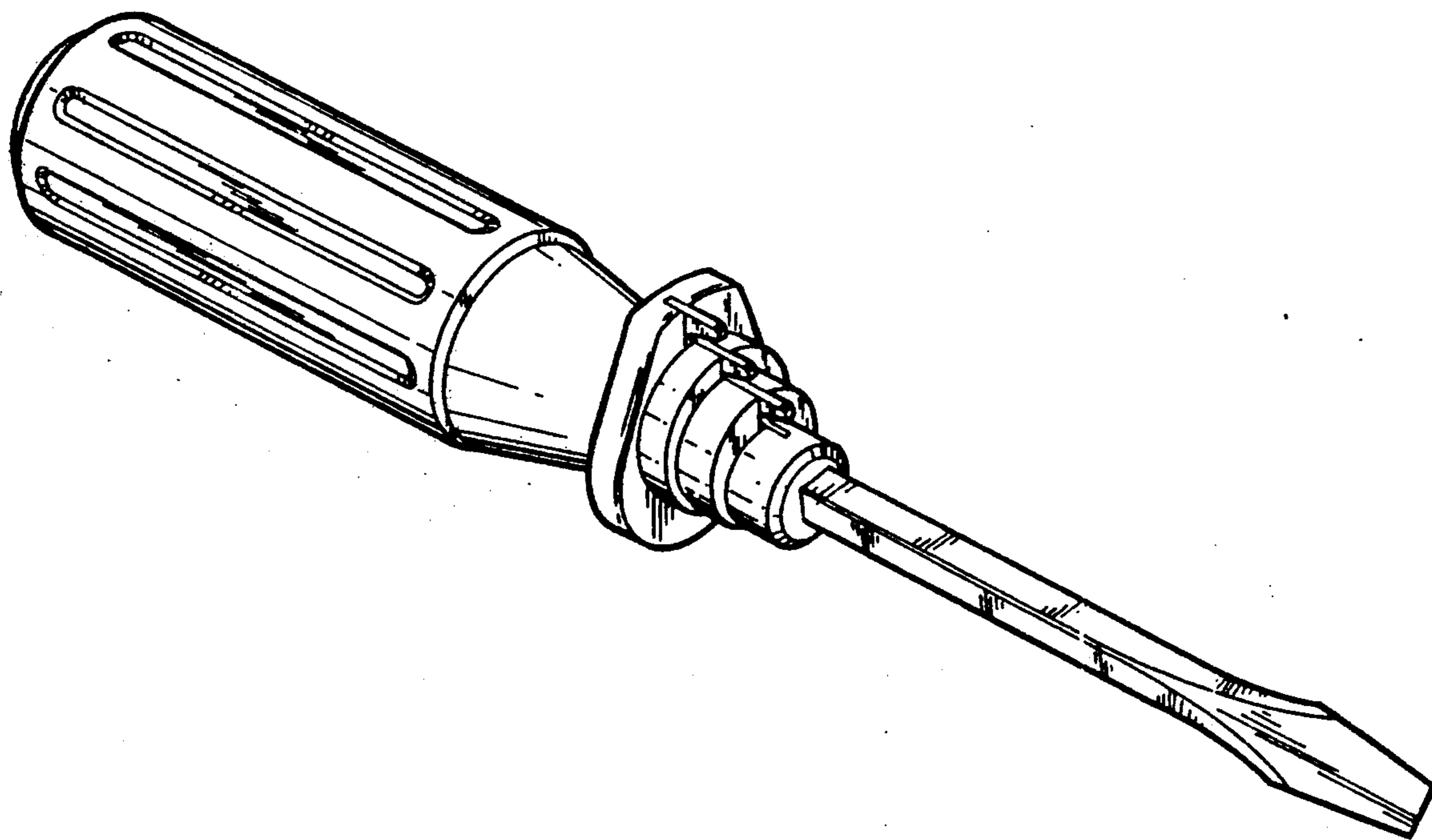
### DESCRIPTION

FIG. 1 is a perspective view of a combined conduit reamer and screwdriver showing my new design; FIG. 2 is a front elevational view thereof; FIG. 3 is a rear elevational view thereof; FIG. 4 is a left side elevational view thereof, the right side elevational view being a mirror image; FIG. 5 is a top plan view thereof; and, FIG. 6 is a bottom plan view thereof.

### [56] References Cited

#### U.S. PATENT DOCUMENTS

D. 170,119	8/1953	Hull	.....	D8/87
D. 196,289	9/1963	Losh	.....	D8/87
1,841,688	1/1932	Vlcek	.....	81/177.1
2,213,973	9/1940	Woodring	.....	81/436
2,875,651	3/1959	Kissinger et al.	.....	D8/87
4,016,614	4/1977	Press	.....	7/165



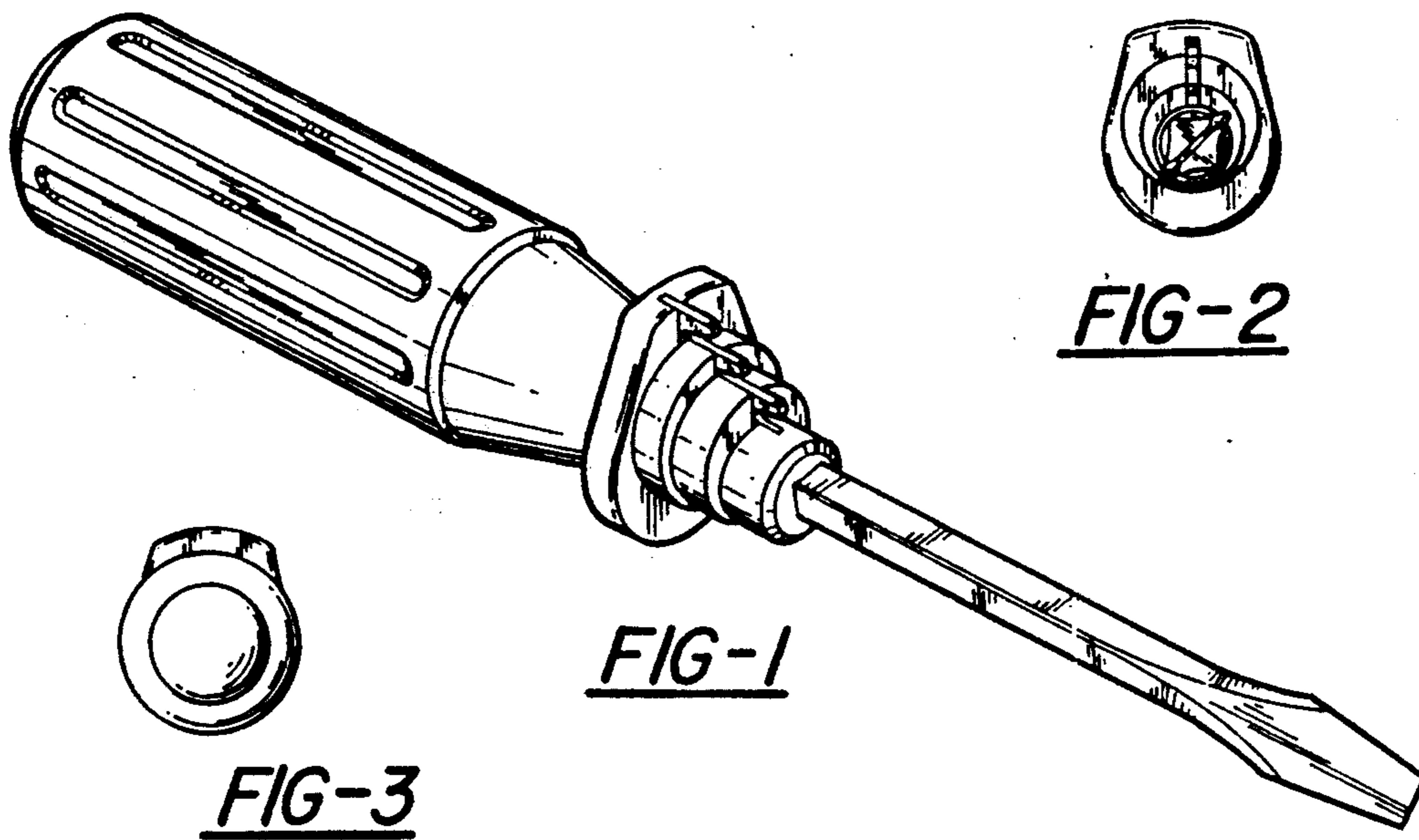


FIG-1



FIG-2

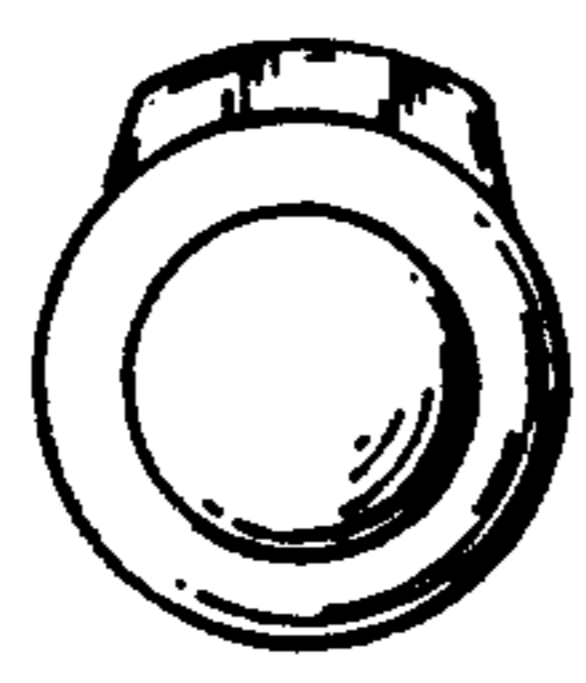


FIG-3

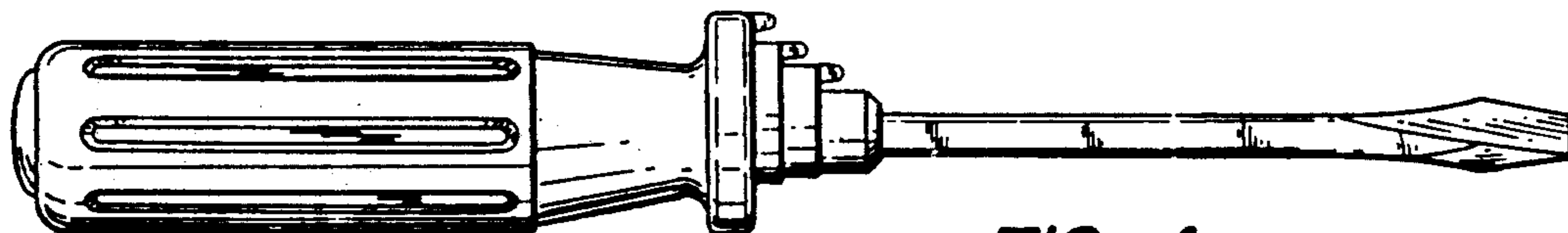


FIG-4

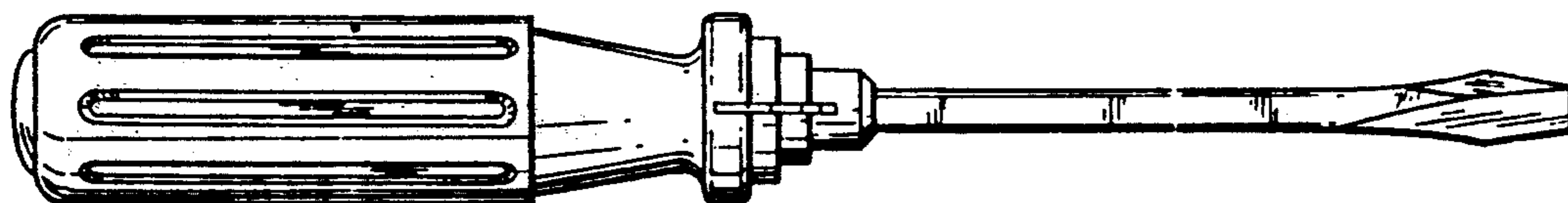


FIG-5

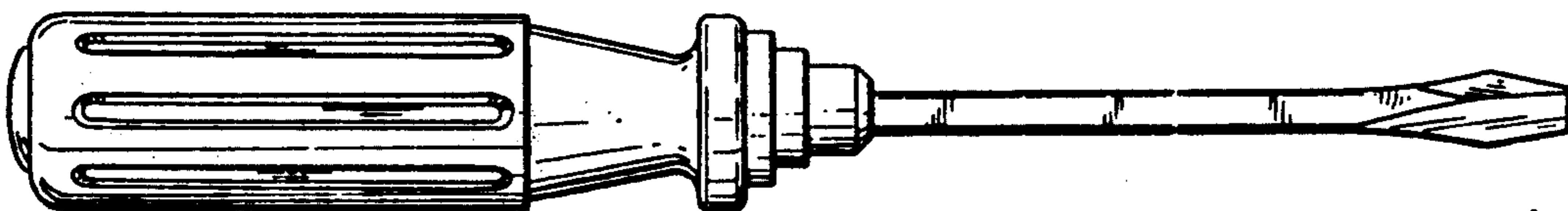


FIG-6