



US00D333963S

United States Patent [19]

Goodman

[11] Patent Number: **Des. 333,963**

[45] Date of Patent: **** Mar. 16, 1993**

[54] **HYDRAULIC VISE**

[76] Inventor: **Robert Goodman, 17 Redfox Dr., Albany, N.Y. 12205**

[**] Term: **14 Years**

[21] Appl. No.: **553,629**

[22] Filed: **Jul. 18, 1990**

[52] U.S. Cl. **D8/74**

[58] Field of Search **D8/72, 73, 74; 269/29, 269/30, 31, 32, 33, 88, 139, 218, 219, 220, 221, 160, 246, 247, 279; 81/17.2**

2,896,487	7/1959	Seale	81/17.2
4,251,065	2/1981	McDougal	81/17.2
4,438,911	3/1984	McDougal	269/32
4,605,208	8/1986	Durham	269/247
4,874,156	10/1989	Goldzweig	D8/74 X

Primary Examiner—Donald P. Walsh
Assistant Examiner—Jeff Musgrove
Attorney, Agent, or Firm—Terry M. Gernstein

[57] **CLAIM**

The ornamental design for a hydraulic vise, as shown.

DESCRIPTION

FIG. 1 is a perspective view of the hydraulic vise showing my new design;
FIG. 2 is a front elevational view thereof;
FIG. 3 is a rear elevational view thereof;
FIG. 4 is a side elevational view thereof;
FIG. 5 is a side elevational view thereof;
FIG. 6 is a top plan view thereof; and,
FIG. 7 is a bottom view thereof.

[56] **References Cited**

U.S. PATENT DOCUMENTS

D. 213,727	4/1969	Barvinek et al.	D8/74
D. 287,457	12/1986	Listes	D8/74
D. 296,981	8/1988	Clark, Jr.	D8/74
2,407,341	9/1946	Meyer	269/160
2,444,304	6/1948	Miller	81/17.2
2,695,539	11/1954	Grueninger	81/17.2

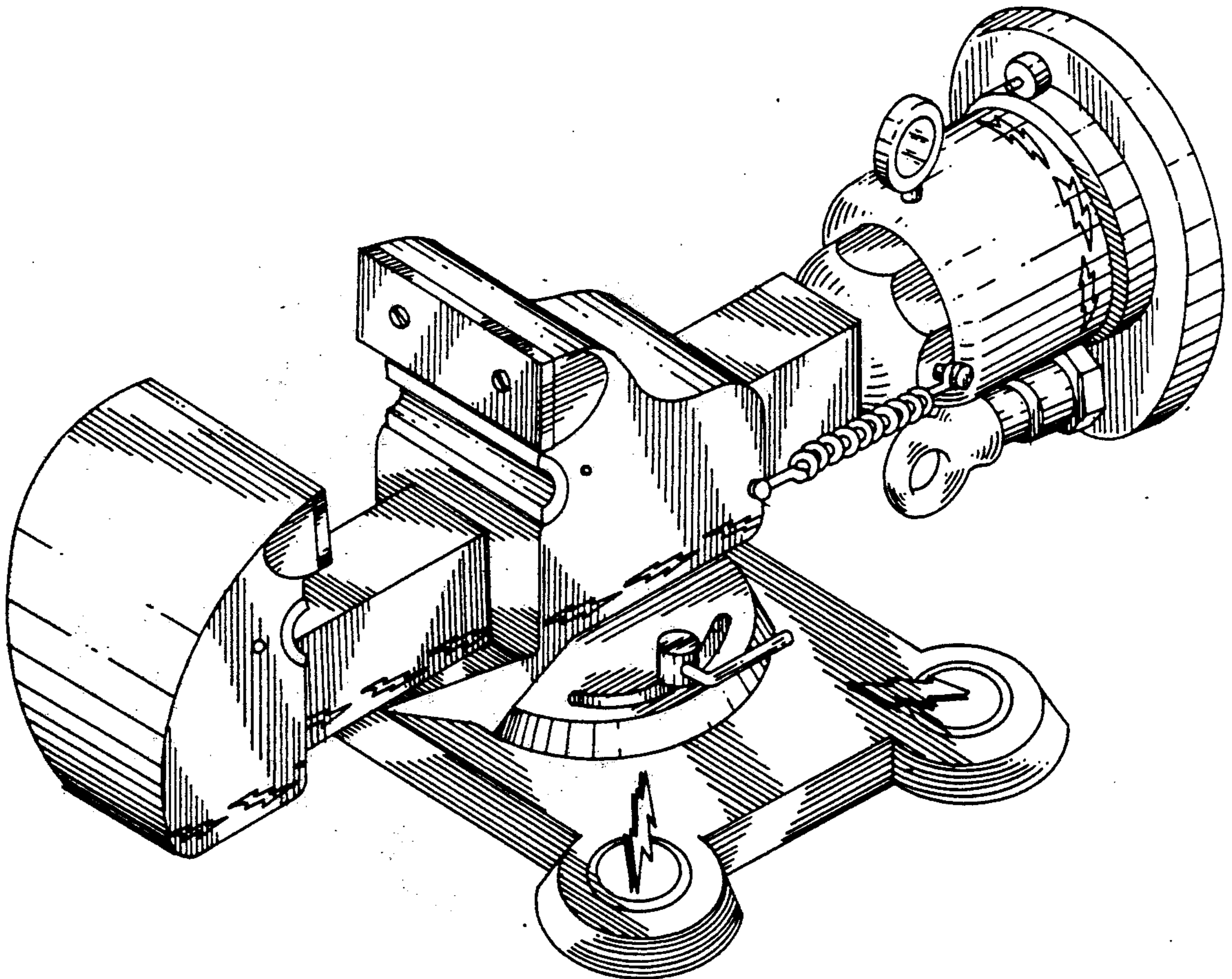
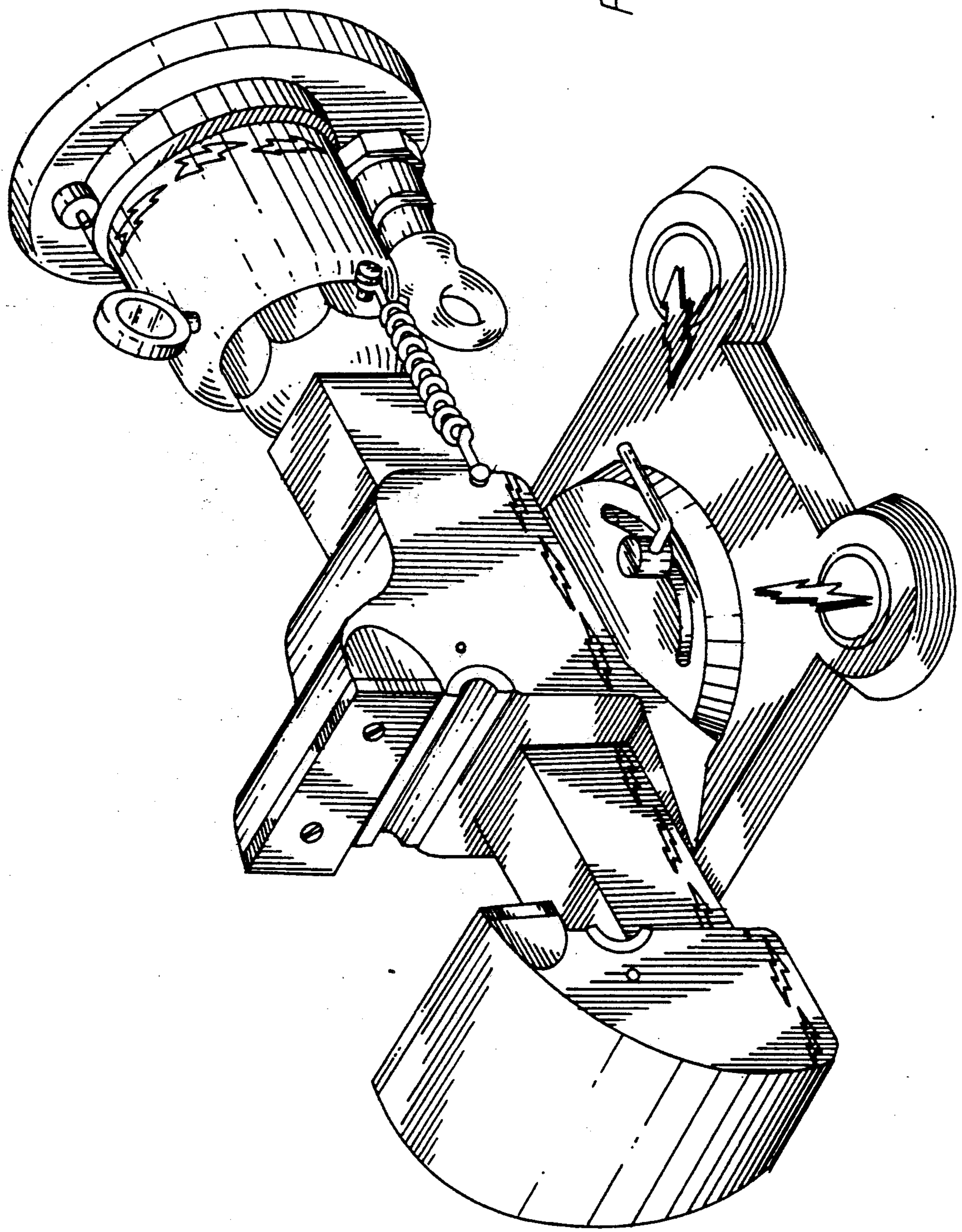


FIG. 1.



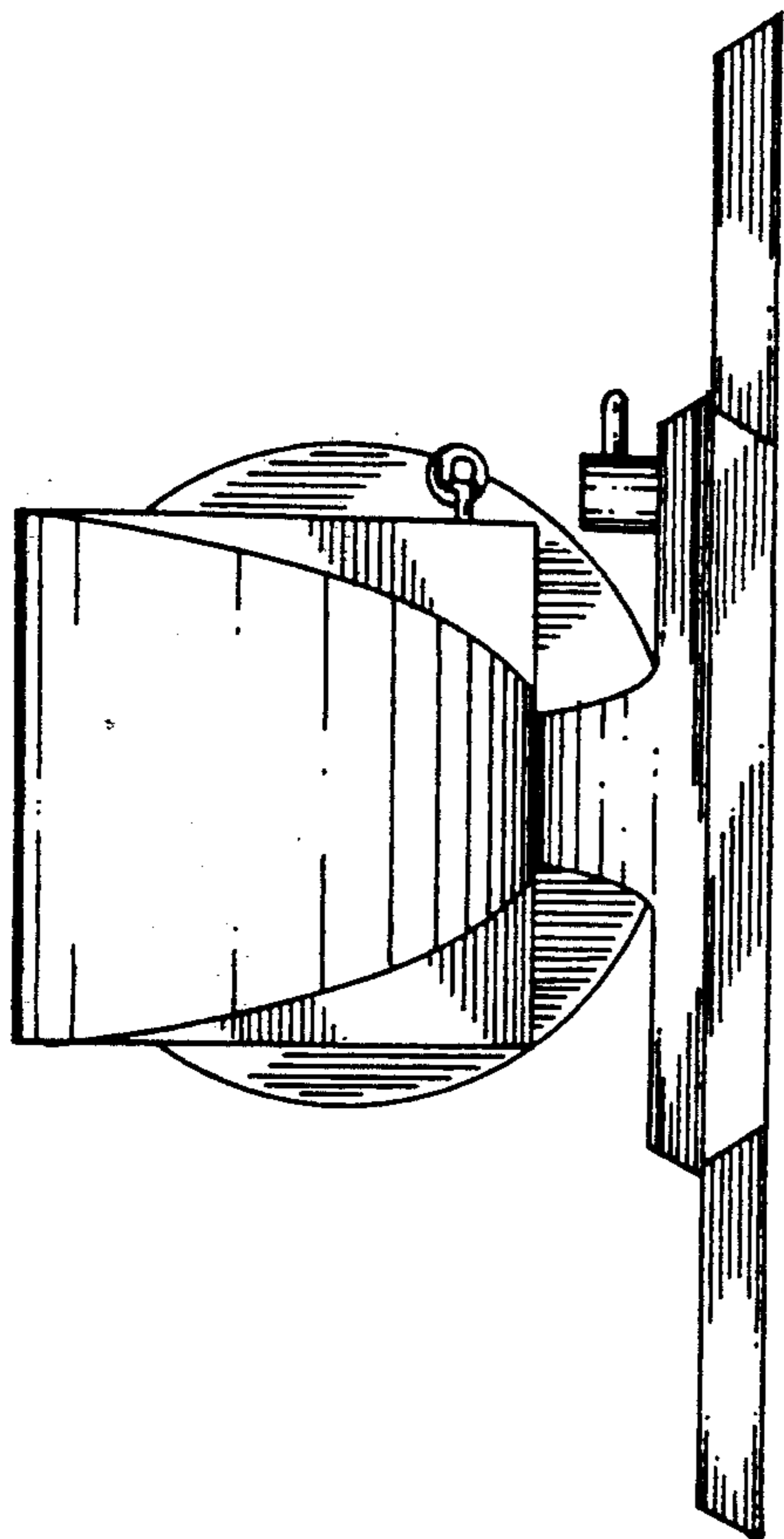


FIG. 2.

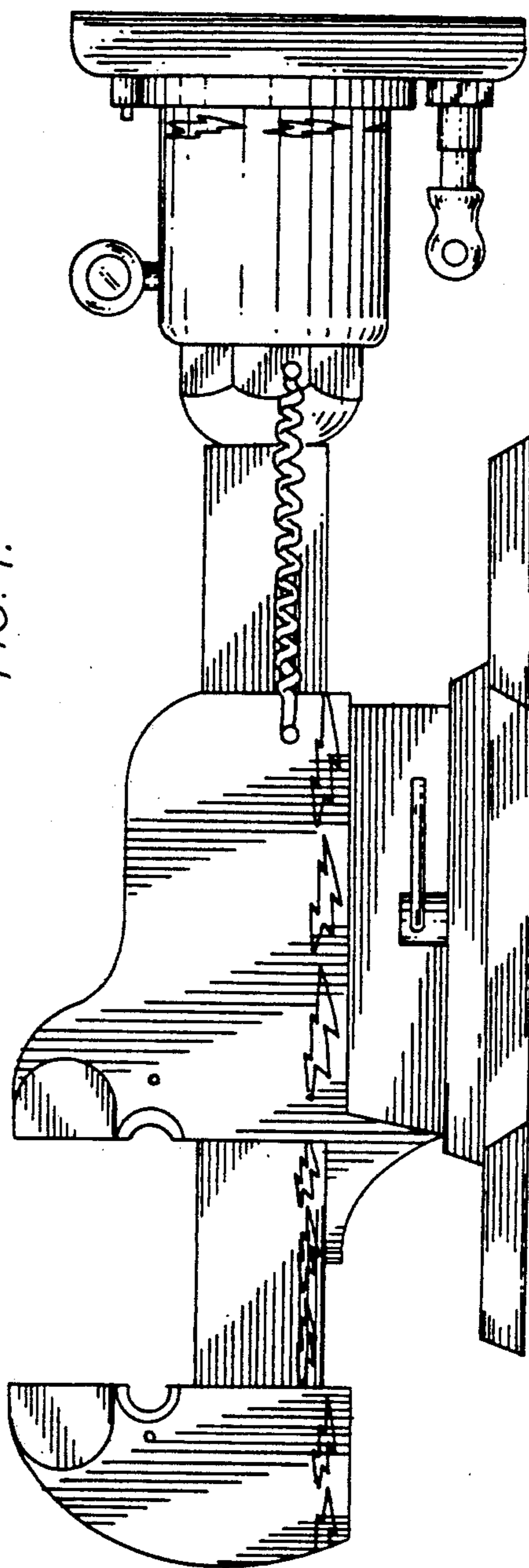


FIG. 4.

FIG. 3.

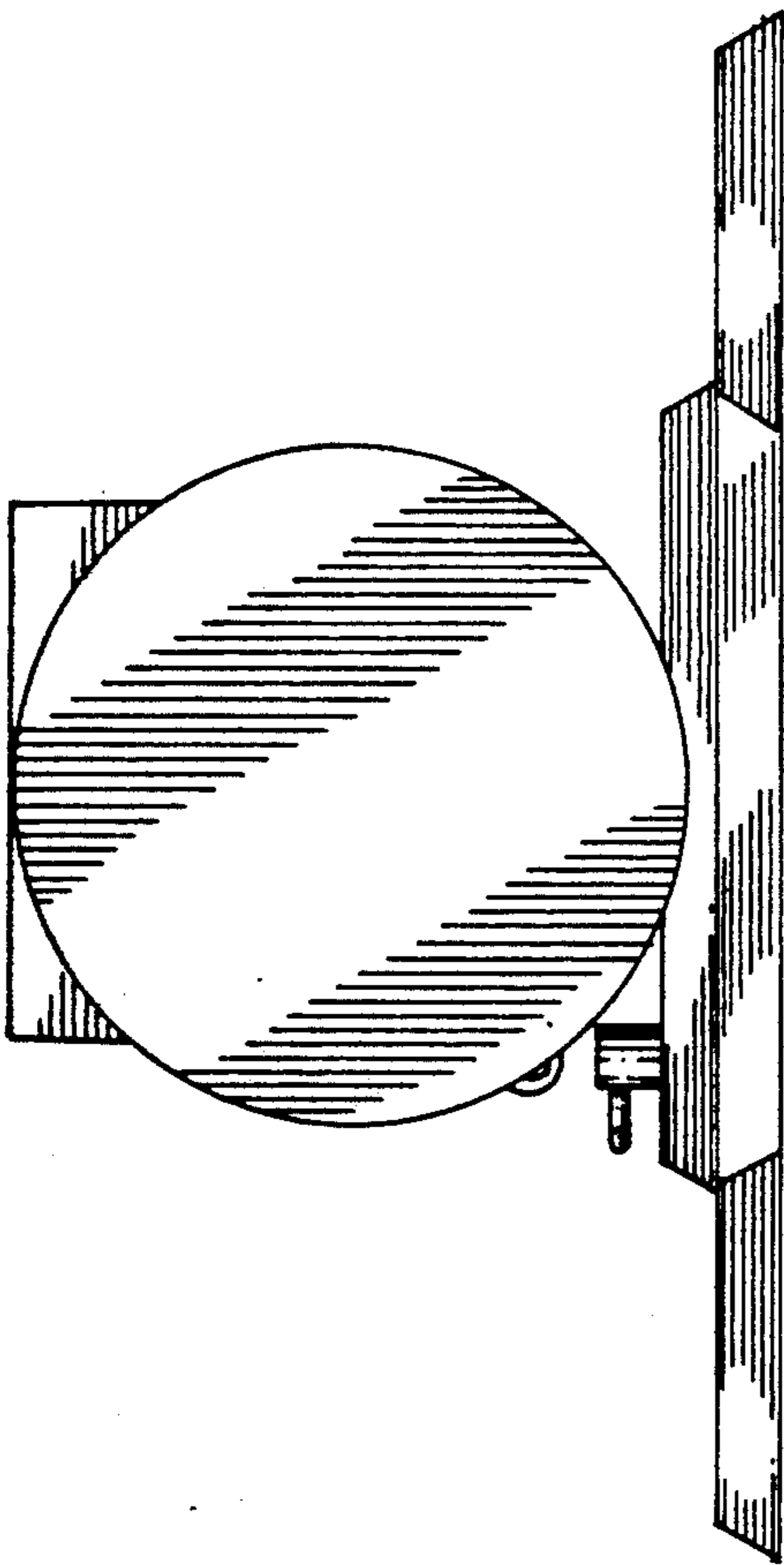


FIG. 5.

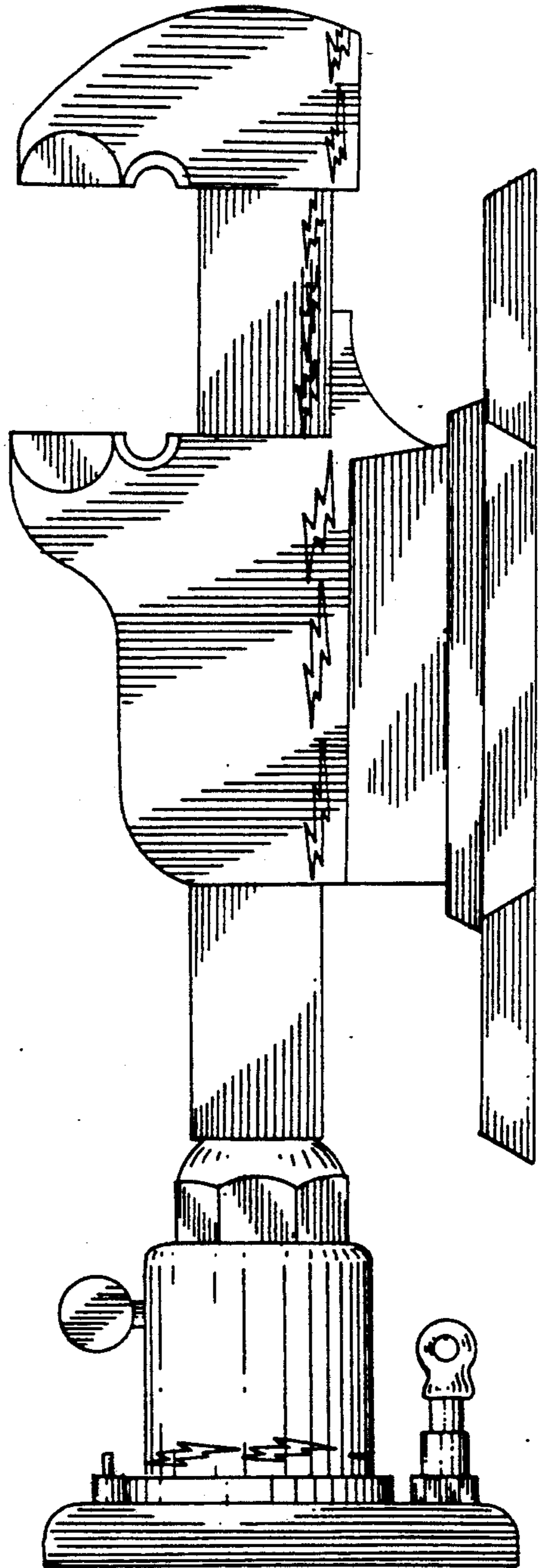


FIG. 7.

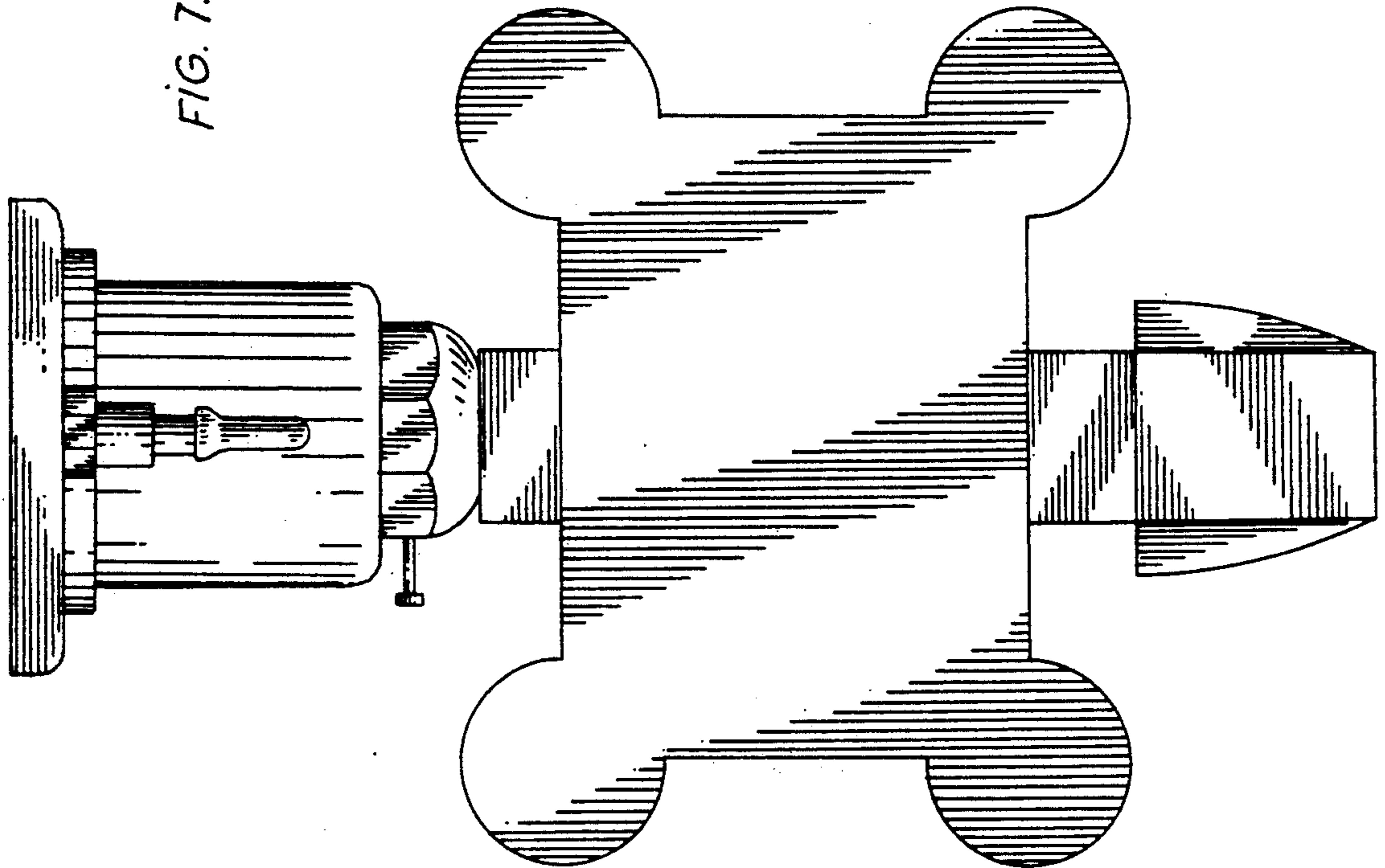


FIG. 6.

