



US00D333962S

# United States Patent [19]

[11] Patent Number: **Des. 333,962**

**Davis**

[45] Date of Patent: **\*\* Mar. 16, 1993**

[54] **CORNER CLAMP FOR A WINDOW PRINTER**

4,141,543	2/1979	Kato .....	269/228
4,335,873	6/1982	Kiefer .....	269/228
4,679,782	7/1987	Horn et al. ....	269/228

[76] Inventor: **James R. Davis, 527 Backus Rd., West Webster, N.Y. 14580**

*Primary Examiner*—Carmen H. Vales-Lado  
*Assistant Examiner*—J. H. Musgrove  
*Attorney, Agent, or Firm*—Shlesinger, Fitzsimmons & Shlesinger

[\*\*] Term: **14 Years**

[21] Appl. No.: **575,890**

[57] **CLAIM**

[22] Filed: **Aug. 31, 1990**

The ornamental design for a corner clamp for a window printer, as shown.

[52] U.S. Cl. .... **D8/71; D8/394**

[58] Field of Search ..... **D8/72, 71, 70, 394, D8/395; 269/228, 201, 258, 268, 46, 47, 45**

**DESCRIPTION**

[56] **References Cited**

**U.S. PATENT DOCUMENTS**

D. 246,499	11/1977	Poulsen et al. ....	D8/71
D. 276,126	10/1984	Fraser et al. ....	D8/72
D. 317,245	6/1991	DeNardo, Jr. ....	D8/72
3,061,351	10/1962	Johnson .....	D8/71 X
3,924,844	12/1975	Bachtel, Jr. ....	269/228 X

FIG. 1 is a top plan view of a corner clamp for a window printer showing my new design; FIG. 2 is a left side elevational view thereof; FIG. 3 is a bottom plan view thereof; FIG. 4 is a right side elevational view thereof; FIG. 5 is a rear elevational view thereof; and, FIG. 6 is a front elevational view thereof.

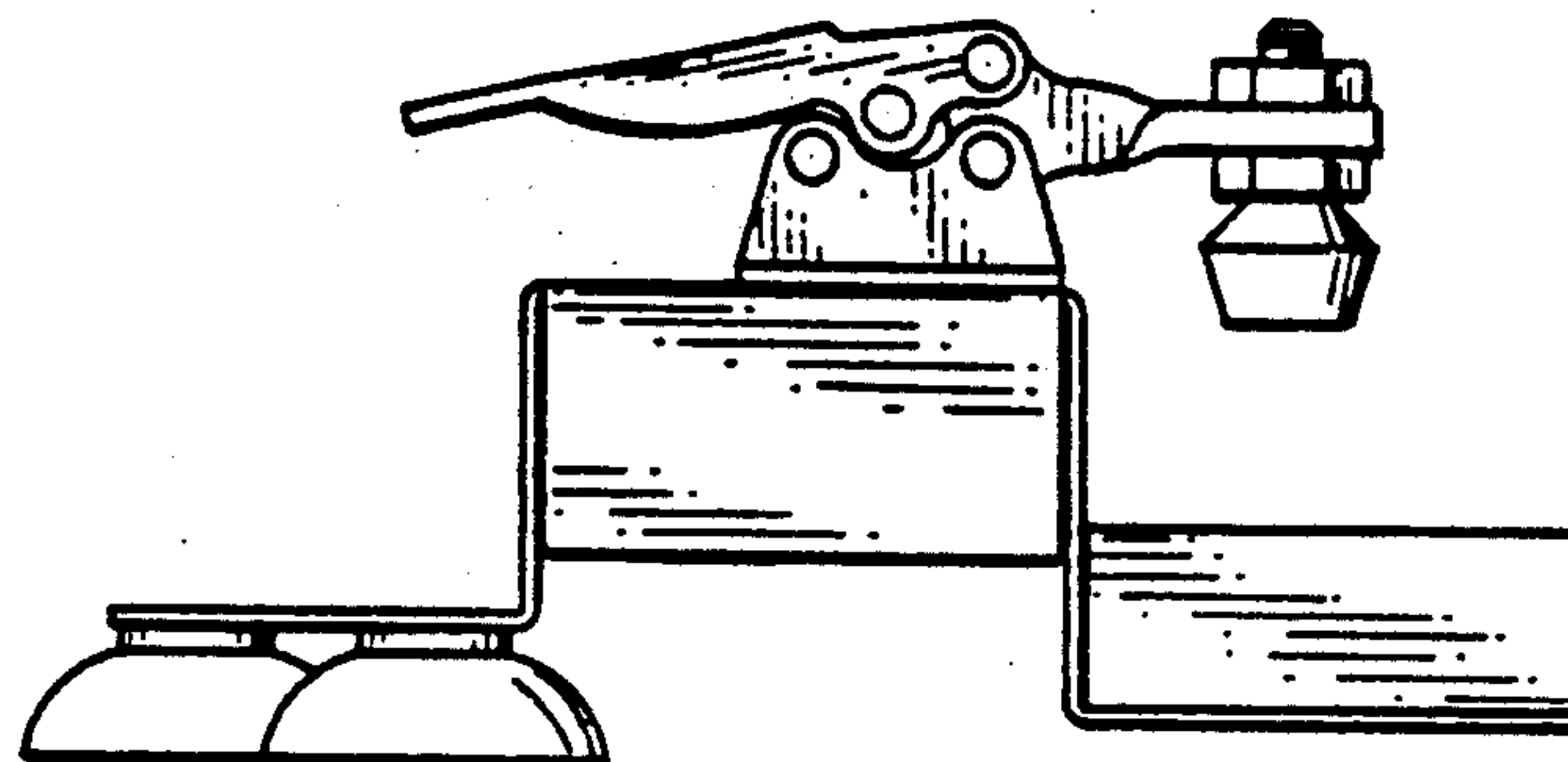
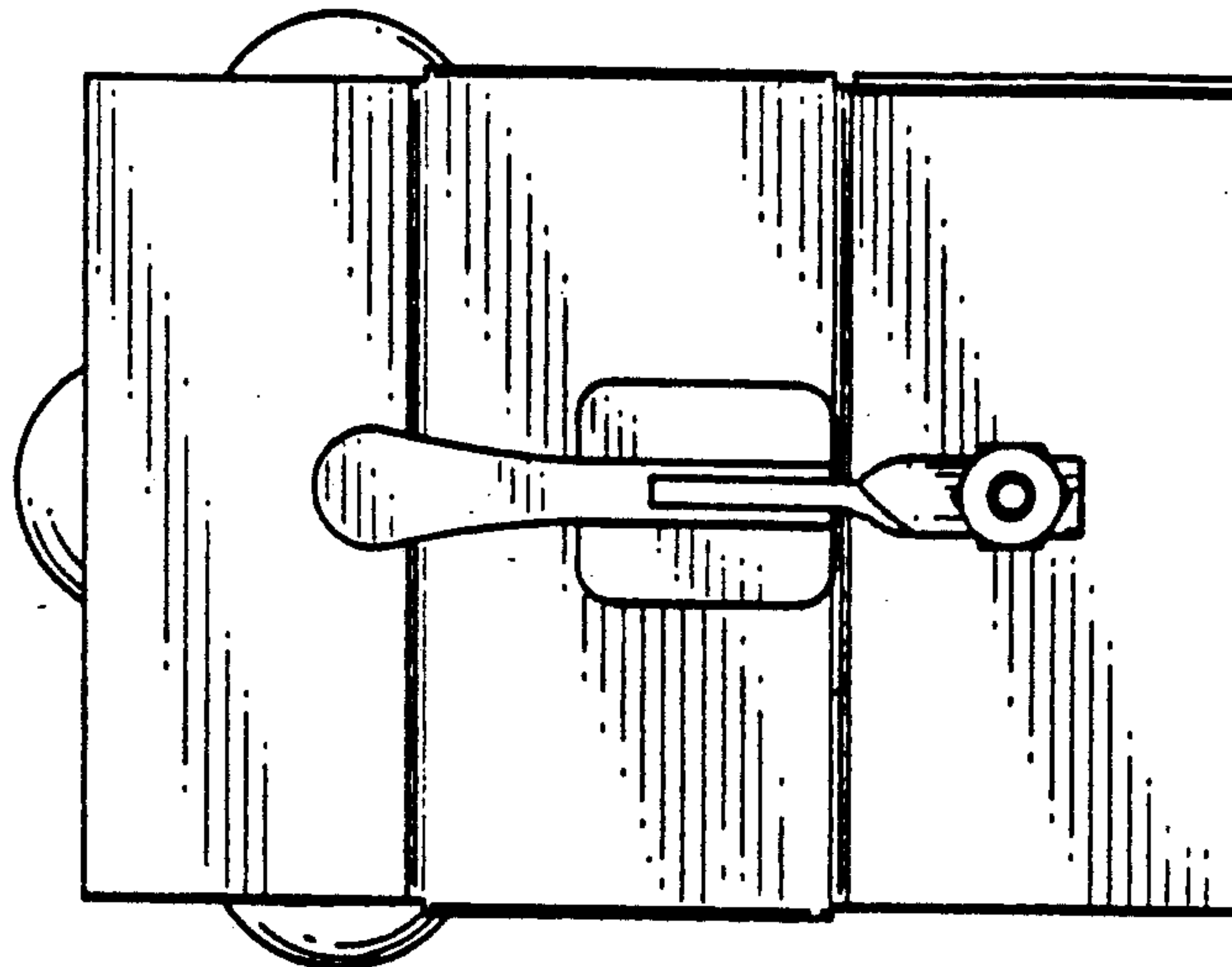


FIG. 1

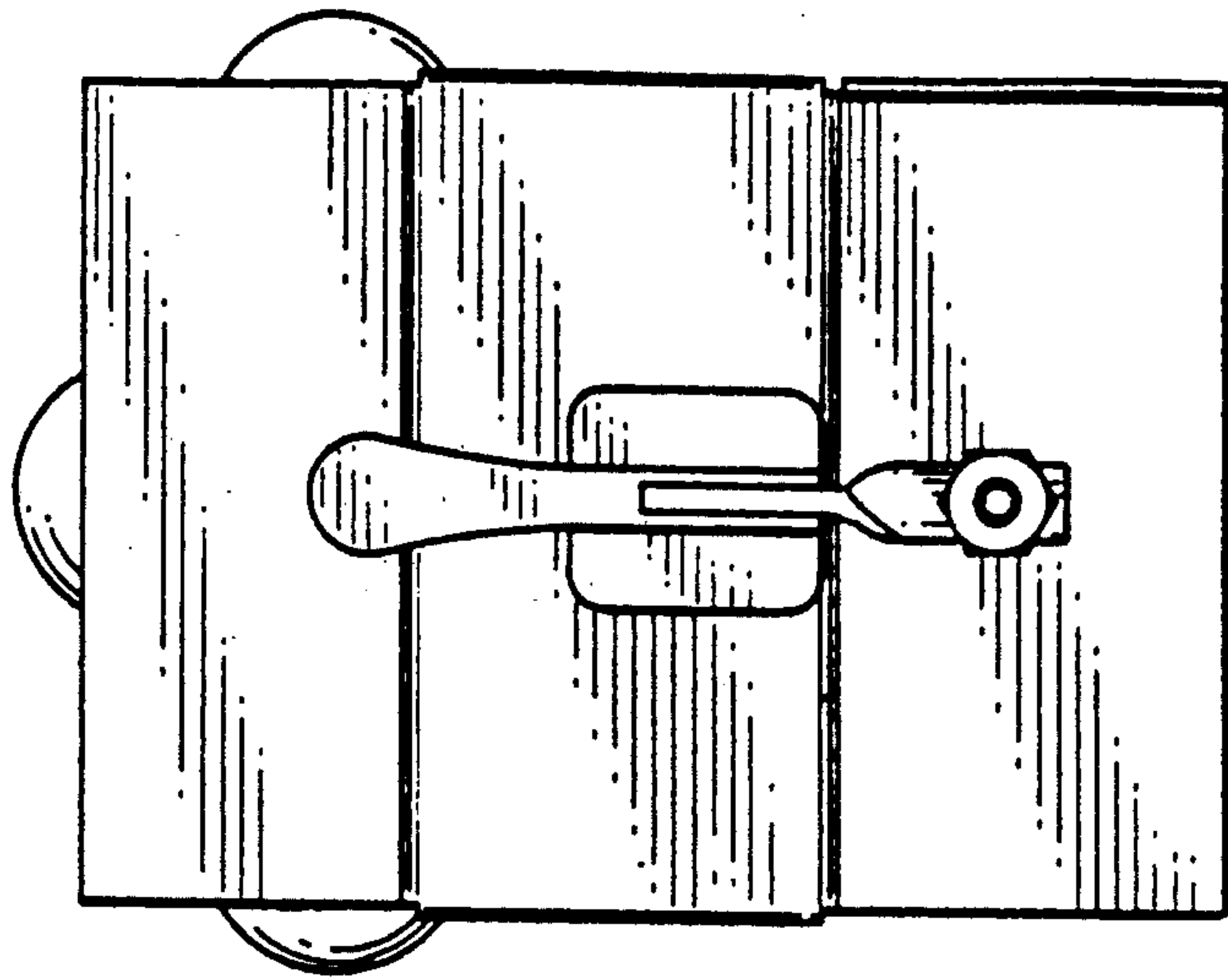


FIG. 2

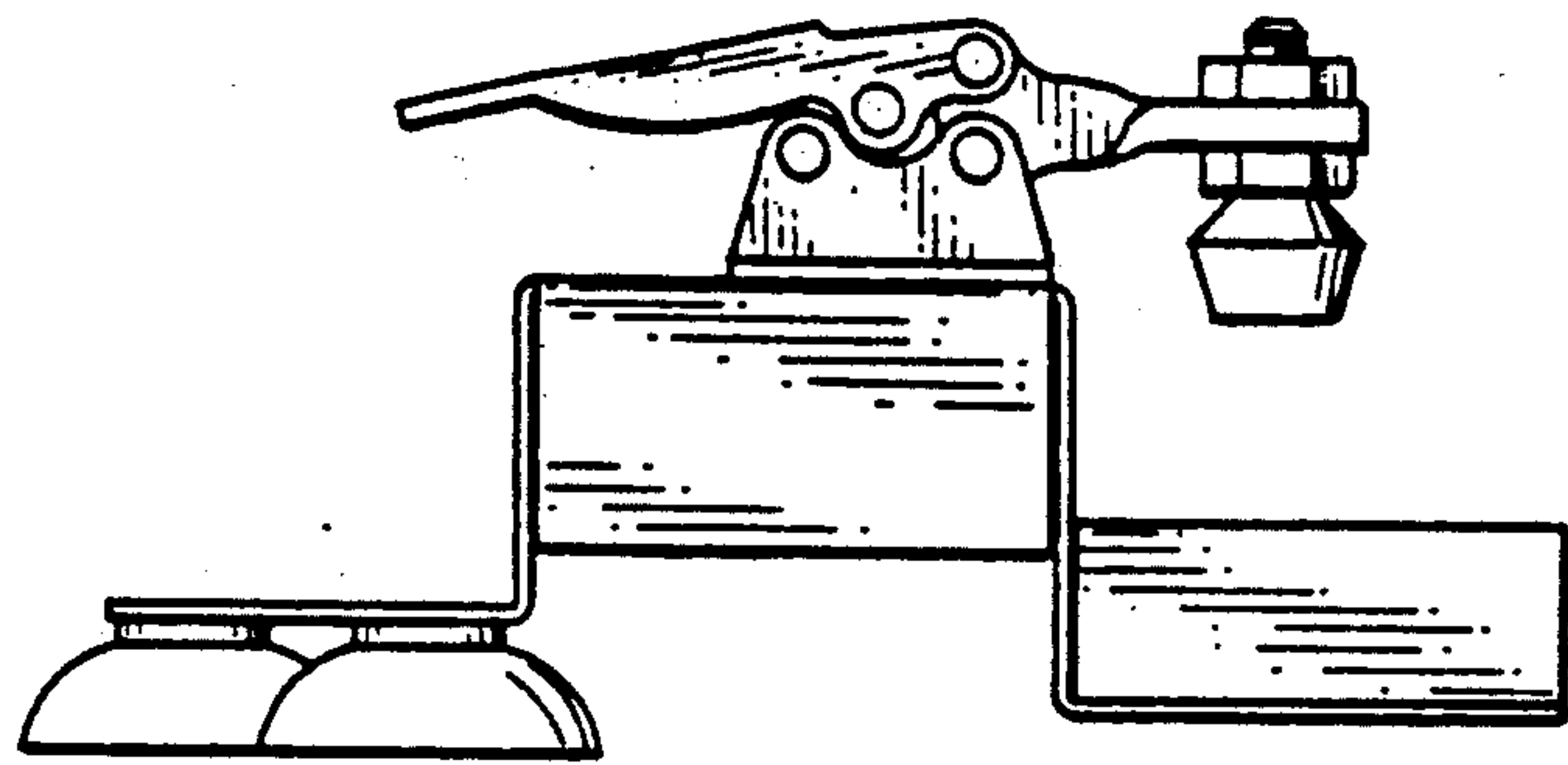


FIG. 3

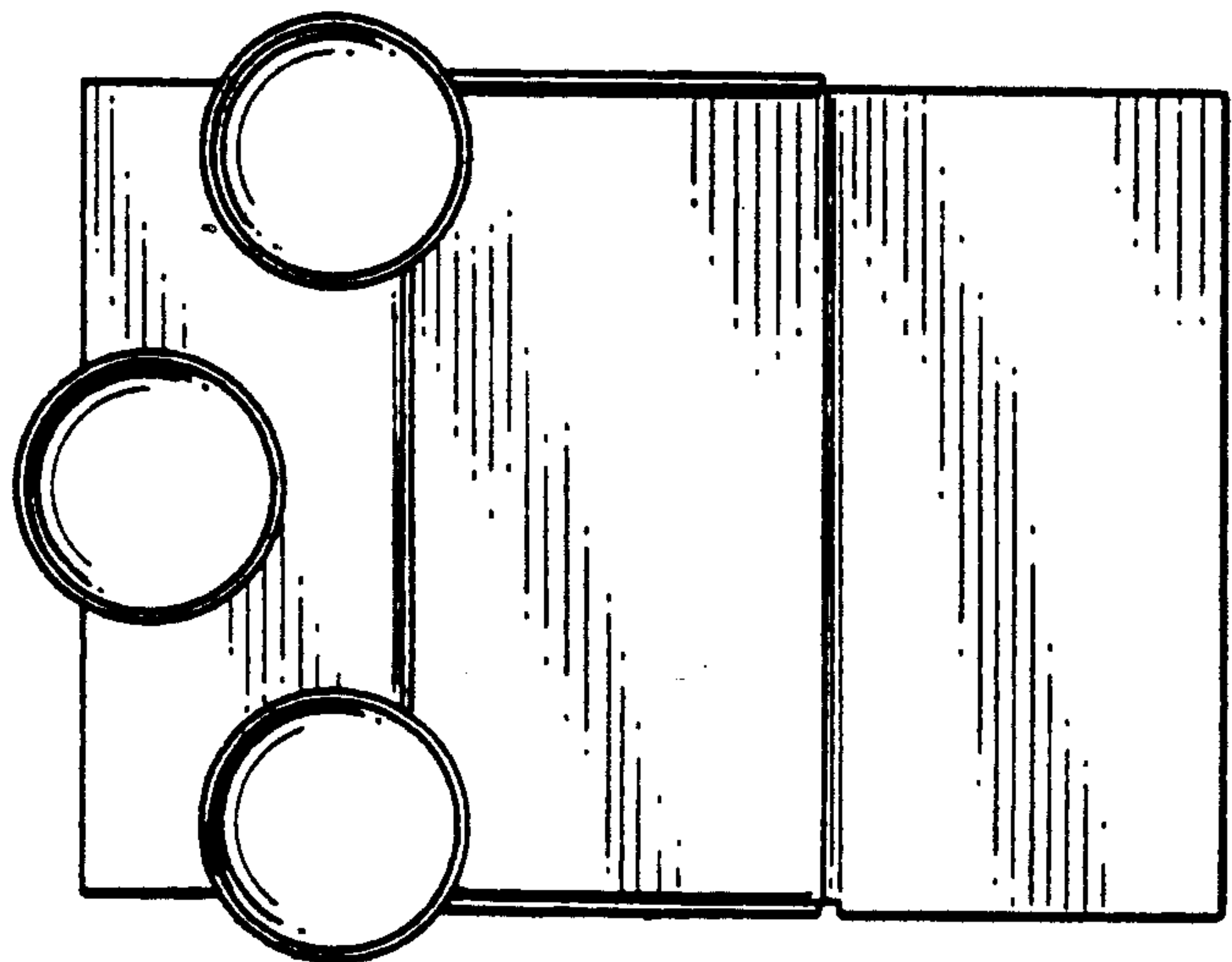


FIG. 4

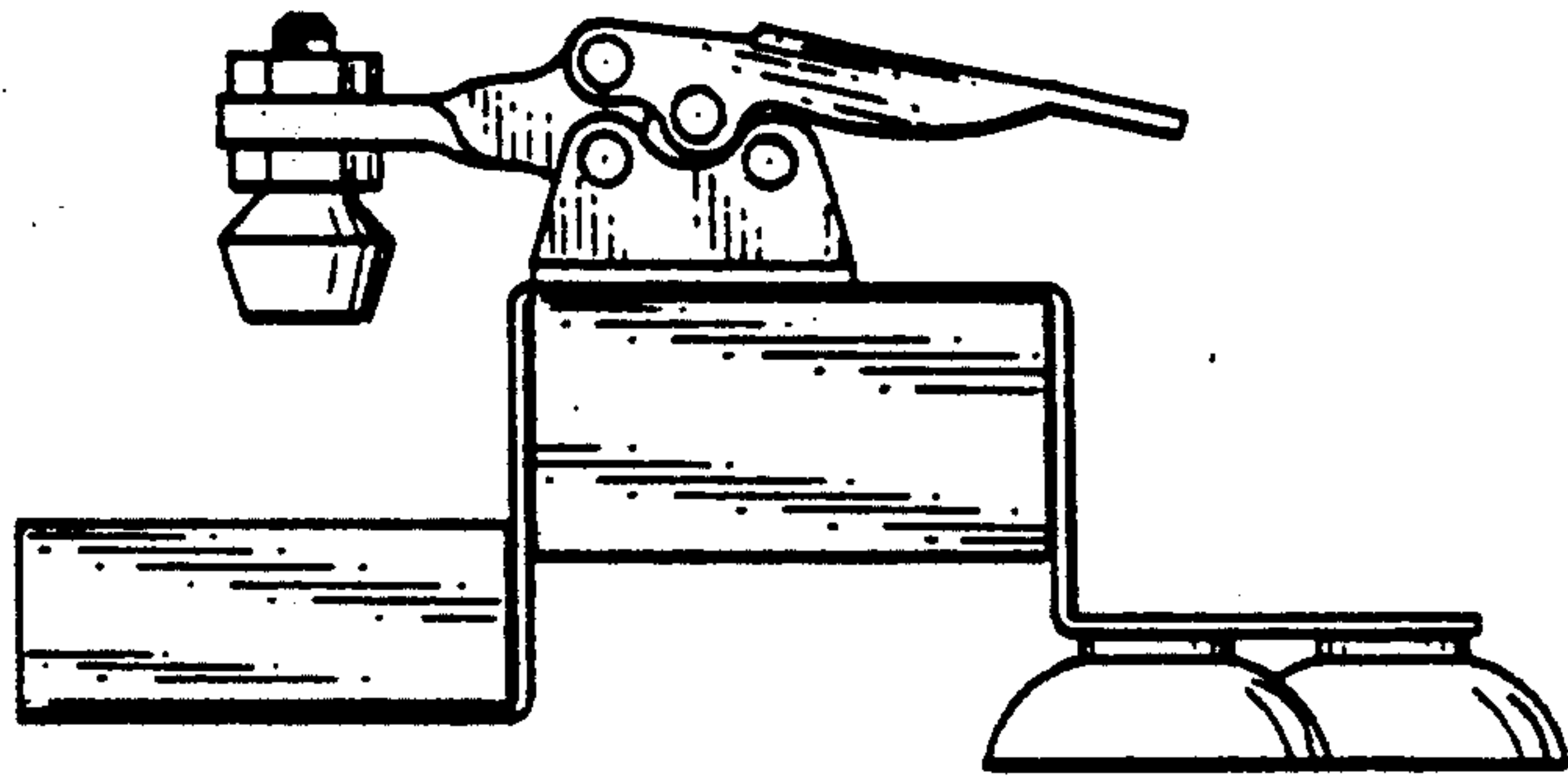


FIG. 5

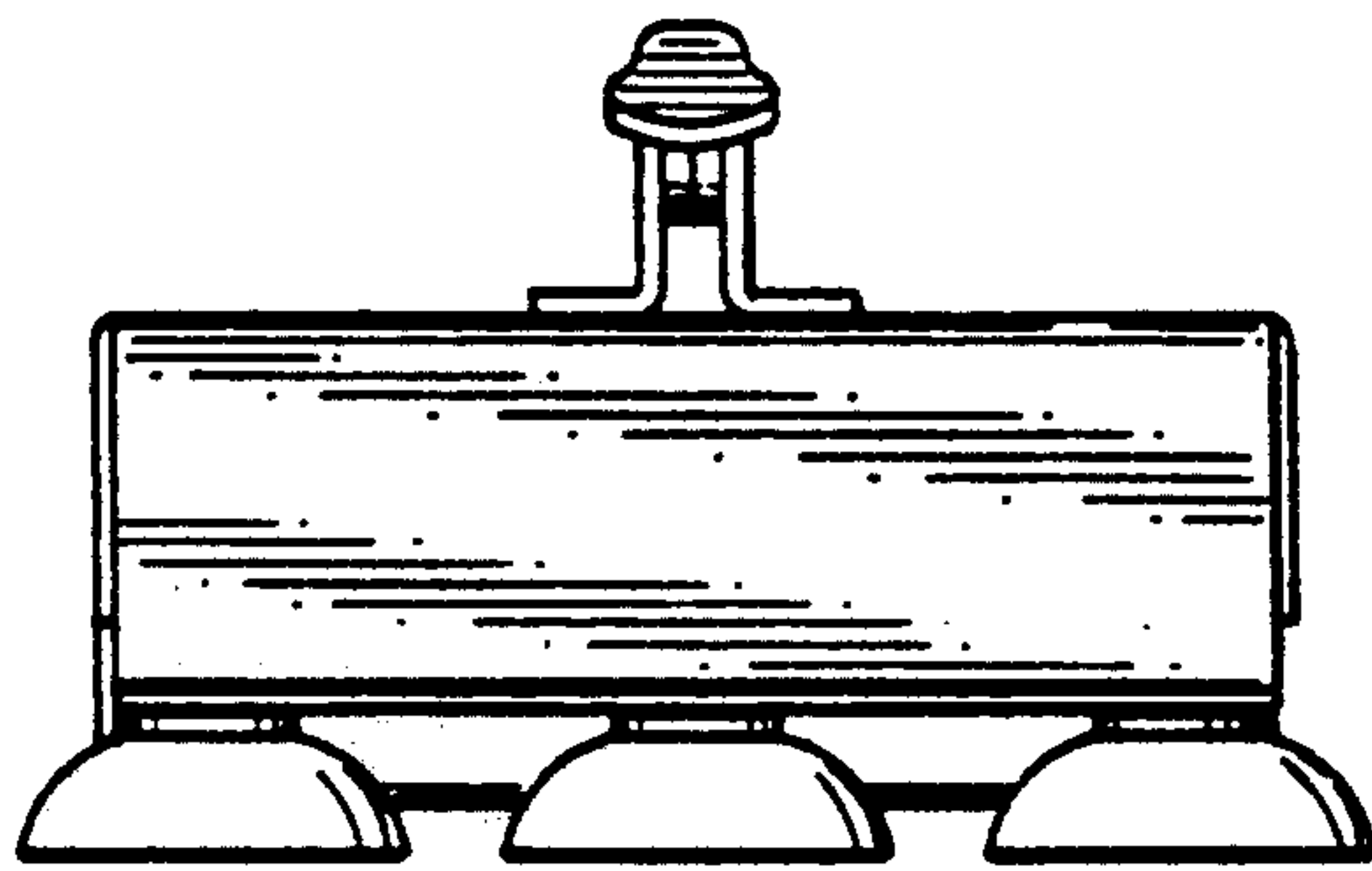


FIG. 6

