



US00D333961S

United States Patent [19]

[11] Patent Number: **Des. 333,961**

Briscoe

[45] Date of Patent: **** Mar. 16, 1993**

[54] **SUPPORT STAND**

5,101,932 4/1992 Trudgeon 269/902

[75] Inventor: **Bruce Briscoe, Lake Worth, Fla.**

Primary Examiner—Alan P. Douglas

[73] Assignee: **Roja, Inc., Lake Worth, Fla.**

Assistant Examiner—J. H. Musgrove

[**] Term: **14 Years**

Attorney, Agent, or Firm—M. K. Silverman

[21] Appl. No.: **561,513**

[57] **CLAIM**

The ornamental design for support stand, as shown and described.

[22] Filed: **Aug. 1, 1990**

DESCRIPTION

[52] U.S. Cl. **D8/71**

[58] Field of Search **D8/71; 269/98, 901, 269/902, 298, 130; 248/248, 127, 176, 188**

FIG. 1 is a bottom perspective of the support stand showing my new design;

FIG. 2 is right side elevational view thereof;

FIG. 3 is a left side elevational view of the support stand;

FIG. 4 is a front elevational view thereof;

FIG. 5 is a rear elevational view of the inventive support stand;

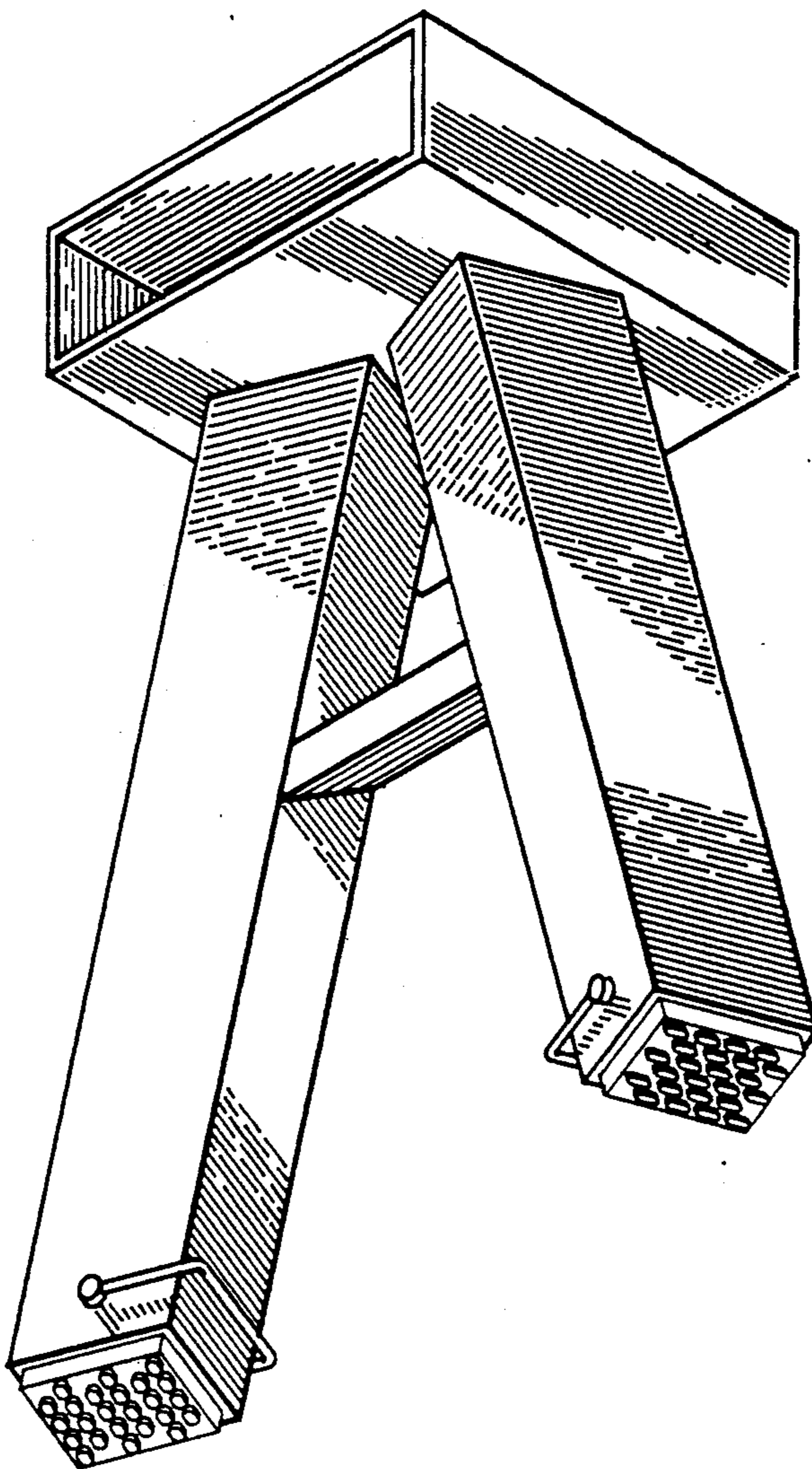
FIG. 6 is a top perspective view thereof; and,

FIG. 7 is a bottom perspective view of my inventive support stand.

[56] **References Cited**

U.S. PATENT DOCUMENTS

D. 266,274	9/1982	Arns	D8/71
D. 284,348	6/1986	Covey	D8/71
D. 305,567	1/1990	Scott	D8/71
D. 321,117	10/1991	O'Mealy et al.	D8/71
5,065,989	11/1991	Ho	269/901
5,092,570	3/1992	Depping	269/901



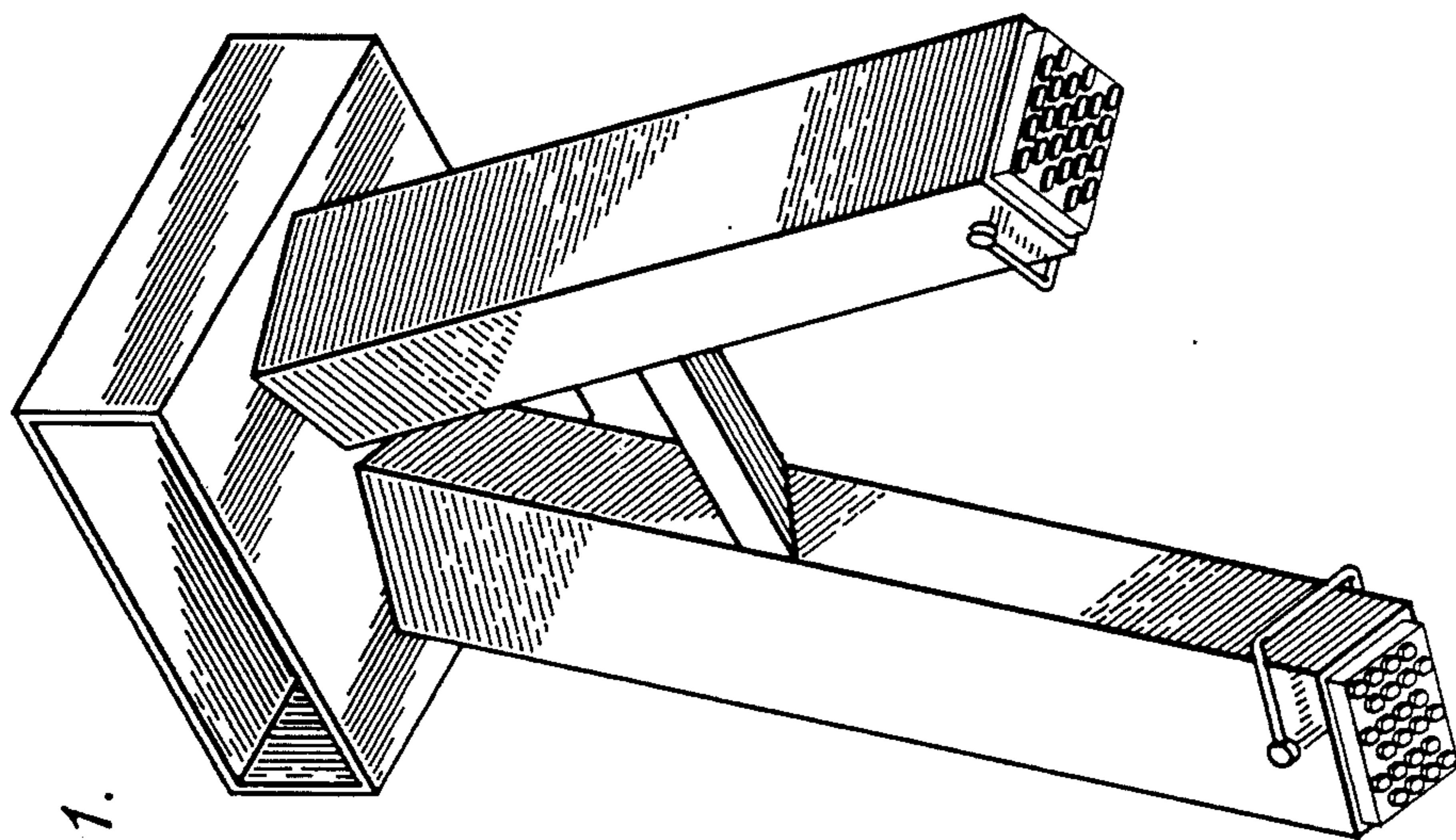


FIG. 1.

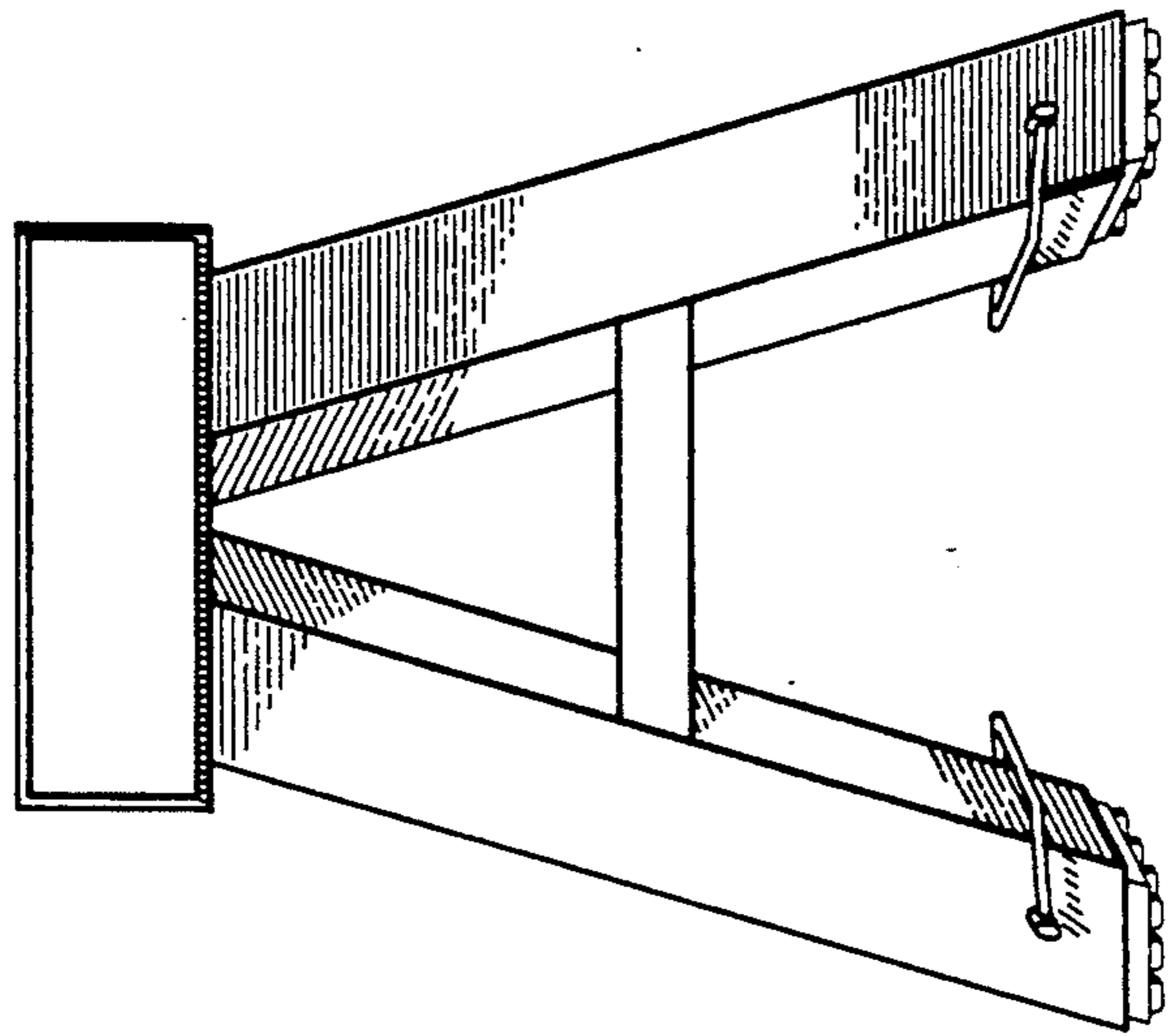


FIG. 3.

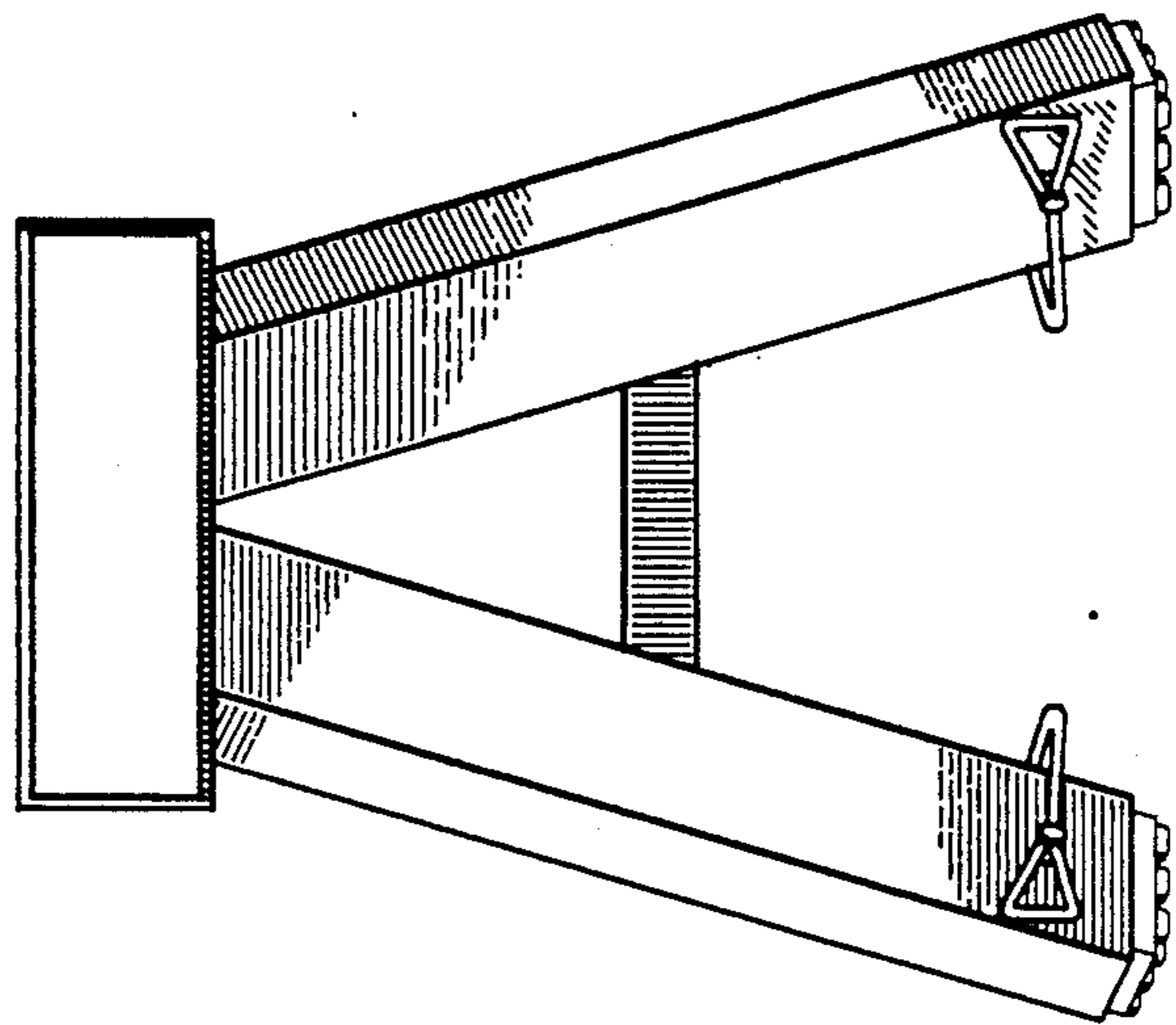


FIG. 2.

FIG. 5.

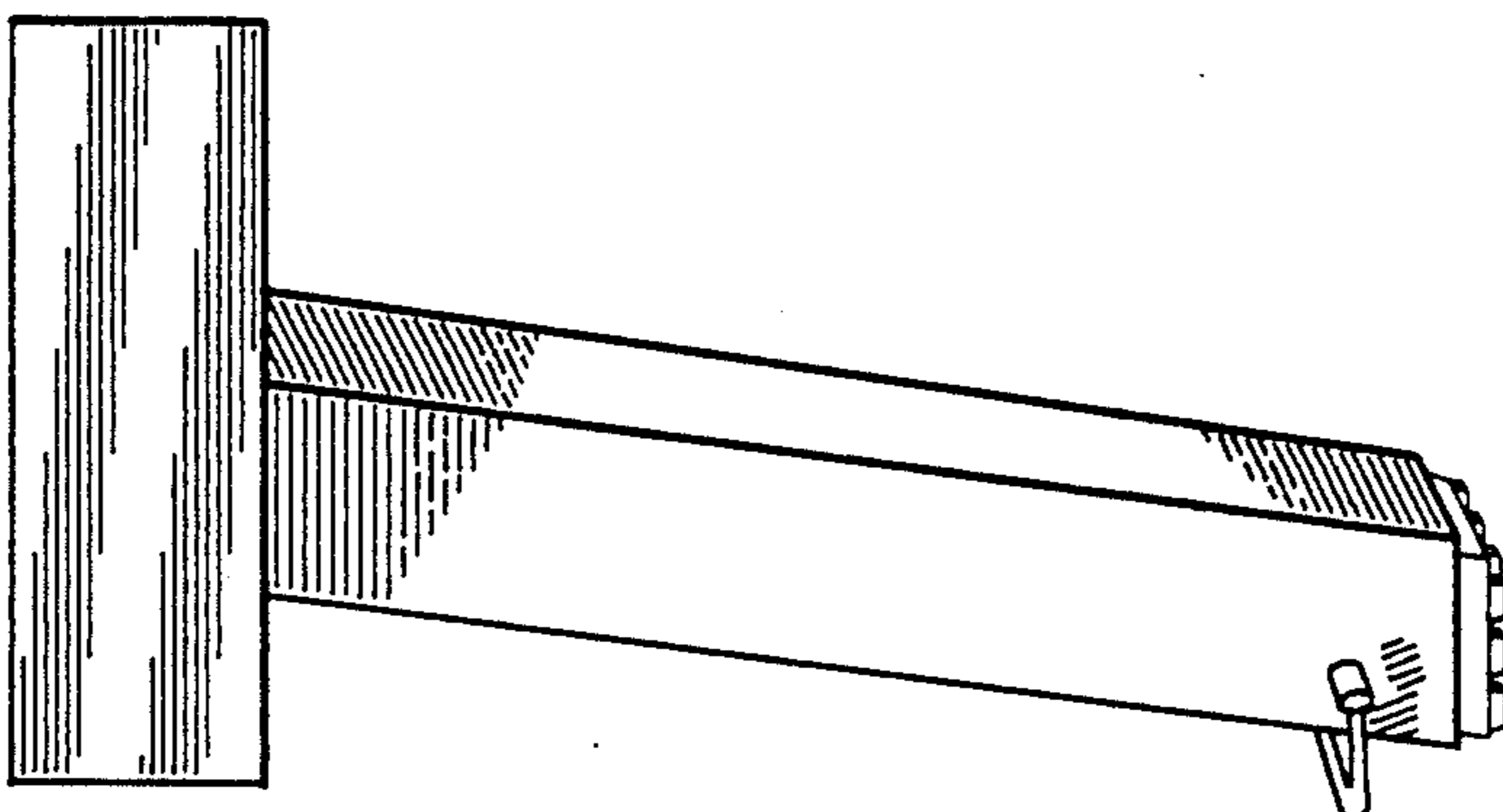


FIG. 6.

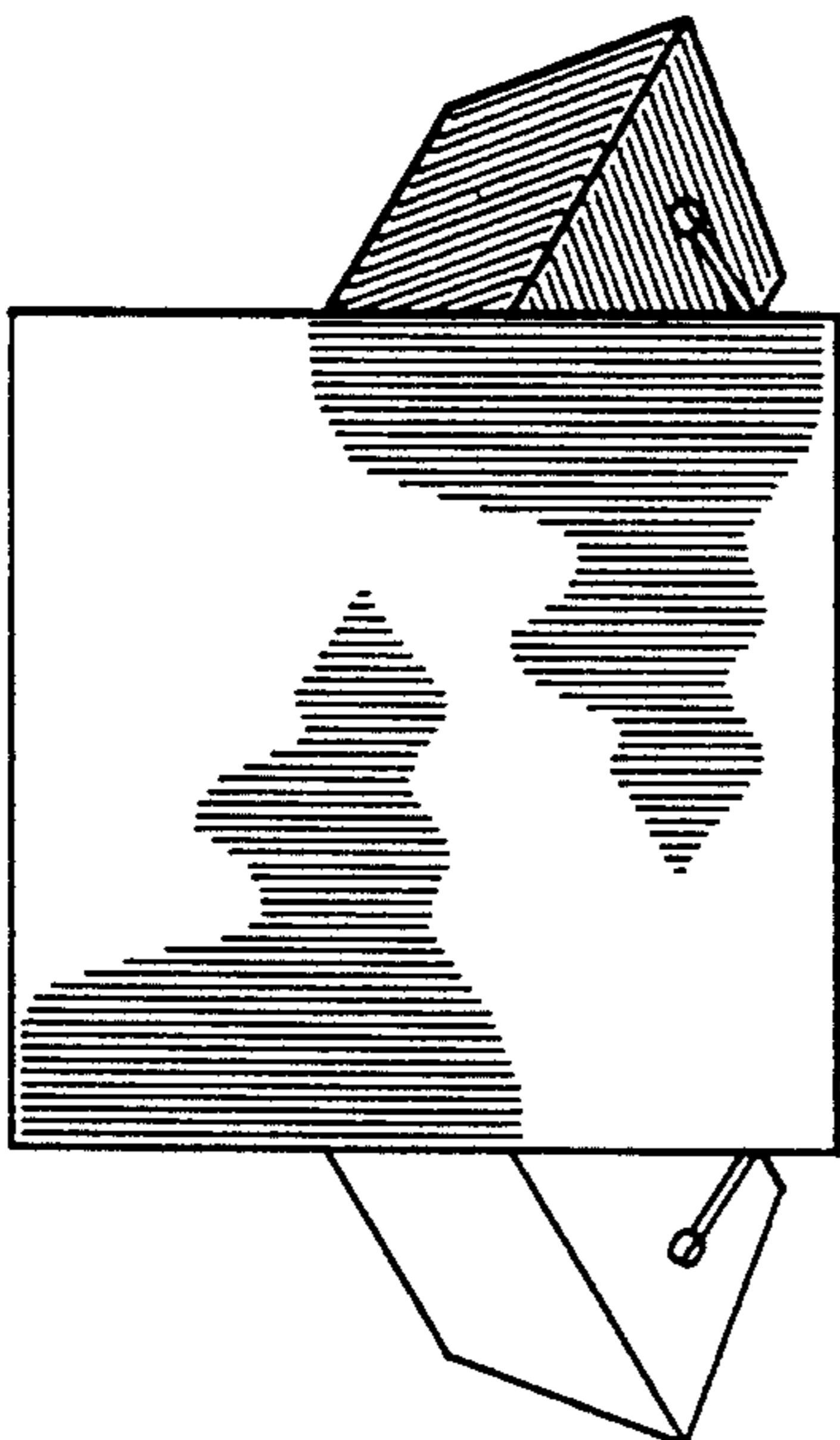


FIG. 7.

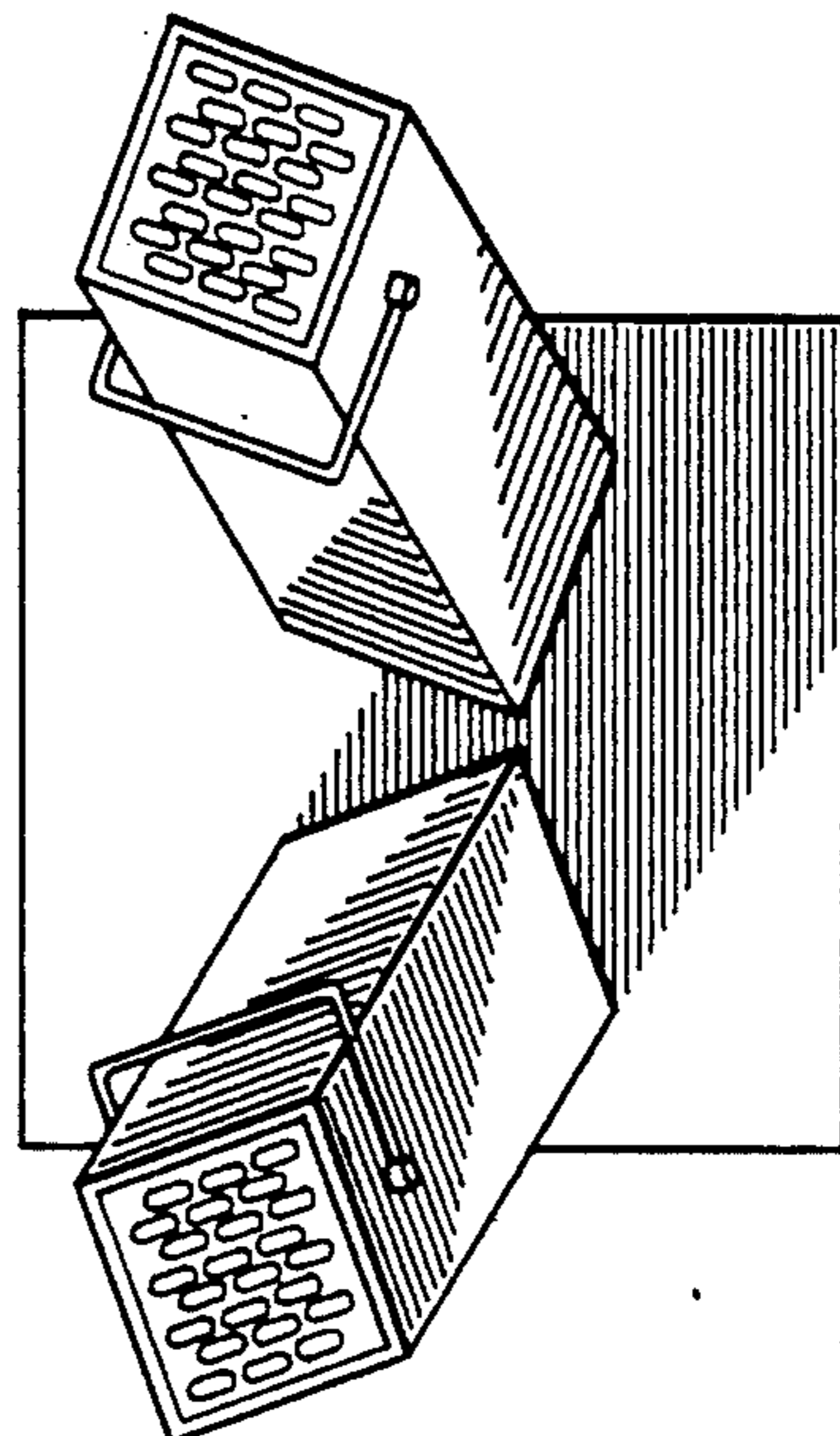


FIG. 4.

