



US00D333960S

United States Patent [19]

[11] Patent Number: Des. 333,960

Somers

[45] Date of Patent: ** Mar. 16, 1993

[54] DRILL

[75] Inventor: Robert I. Somers, Reisterstown, Md.

[73] Assignee: Black & Decker Inc., Newark, Del.

[**] Term: 14 Years

[21] Appl. No.: 716,591

[22] Filed: Jun. 17, 1991

[52] U.S. Cl. D8/68

[58] Field of Search D8/61, 68; 81/54, 57, 81/57.14; 173/170; 408/124, 125

[56] References Cited

U.S. PATENT DOCUMENTS

| | | | |
|------------|--------|----------------------|-------|
| D. 243,652 | 3/1977 | Zurwelle et al. | D8/68 |
| D. 279,957 | 8/1985 | Akazawa et al. | D8/68 |
| D. 303,347 | 9/1989 | Somers | D8/68 |
| D. 314,498 | 2/1991 | Hoshino et al. | D8/68 |

OTHER PUBLICATIONS

Hitachi (Exhibit "D").

Black & Decker (Exhibit "E").

Application Ser. No. 931451 (Exhibit "F").

Primary Examiner—Alan P. Douglas

Assistant Examiner—J. H. Musgrove

Attorney, Agent, or Firm—Dennis A. Dearing; John D. Del Ponti; Charles E. Yocum

[57] CLAIM

The ornamental design for a drill, as shown and described.

DESCRIPTION

FIG. 1 is a right side elevational view of a first embodiment of a drill in accordance with the invention;

FIG. 2 is a left side elevational view of the first embodiment;

FIG. 3 is a front elevational view of the first embodiment;

FIG. 4 is a rear elevational view of the first embodiment;

FIG. 5 is a top plan view of the first embodiment;

FIG. 6 is a bottom plan view of the first embodiment;

FIG. 7 is a perspective view of the first embodiment;

FIG. 8 is a right side elevational view of a second embodiment of a drill in accordance with the invention;

FIG. 9 is a left side elevational view of the second embodiment;

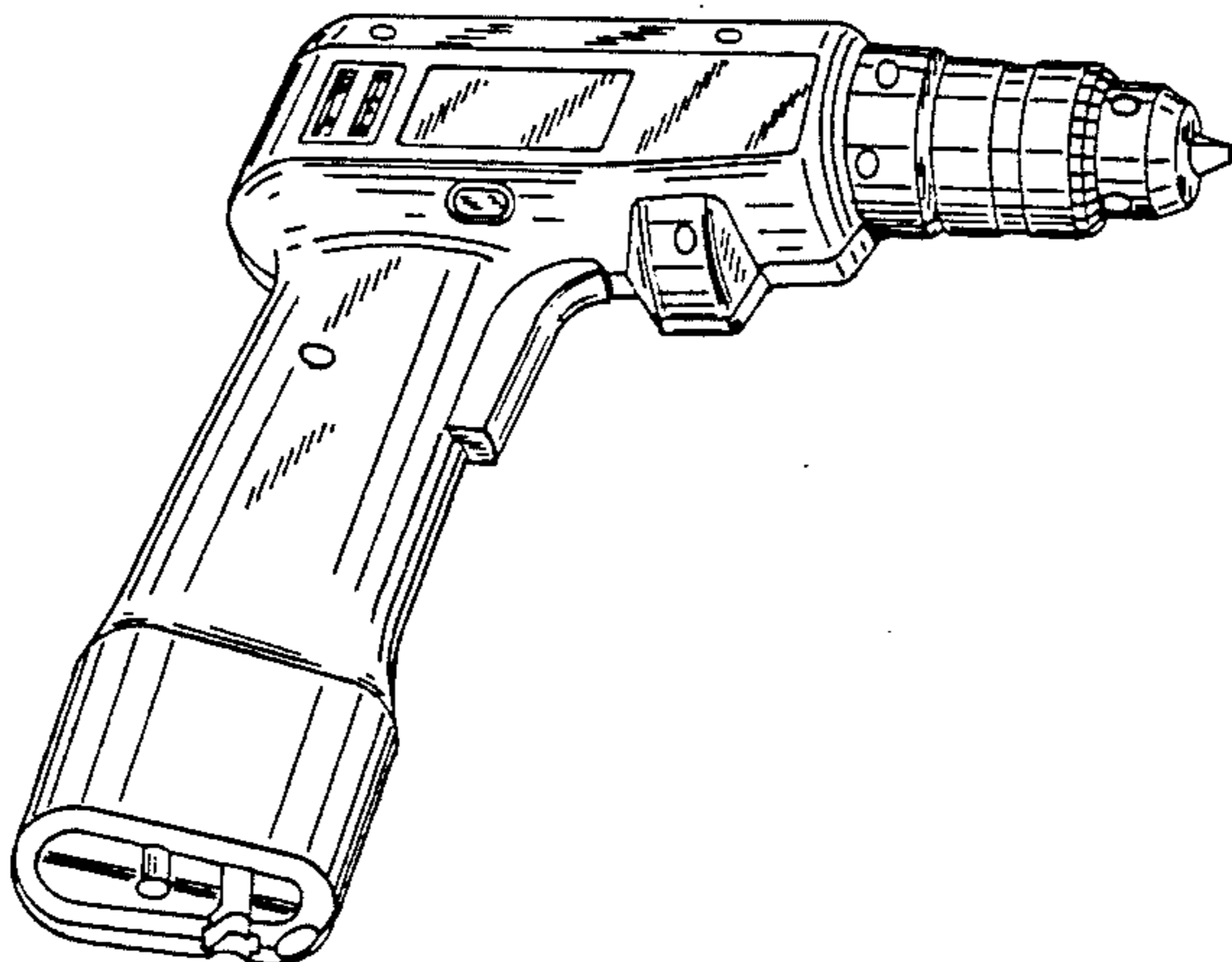
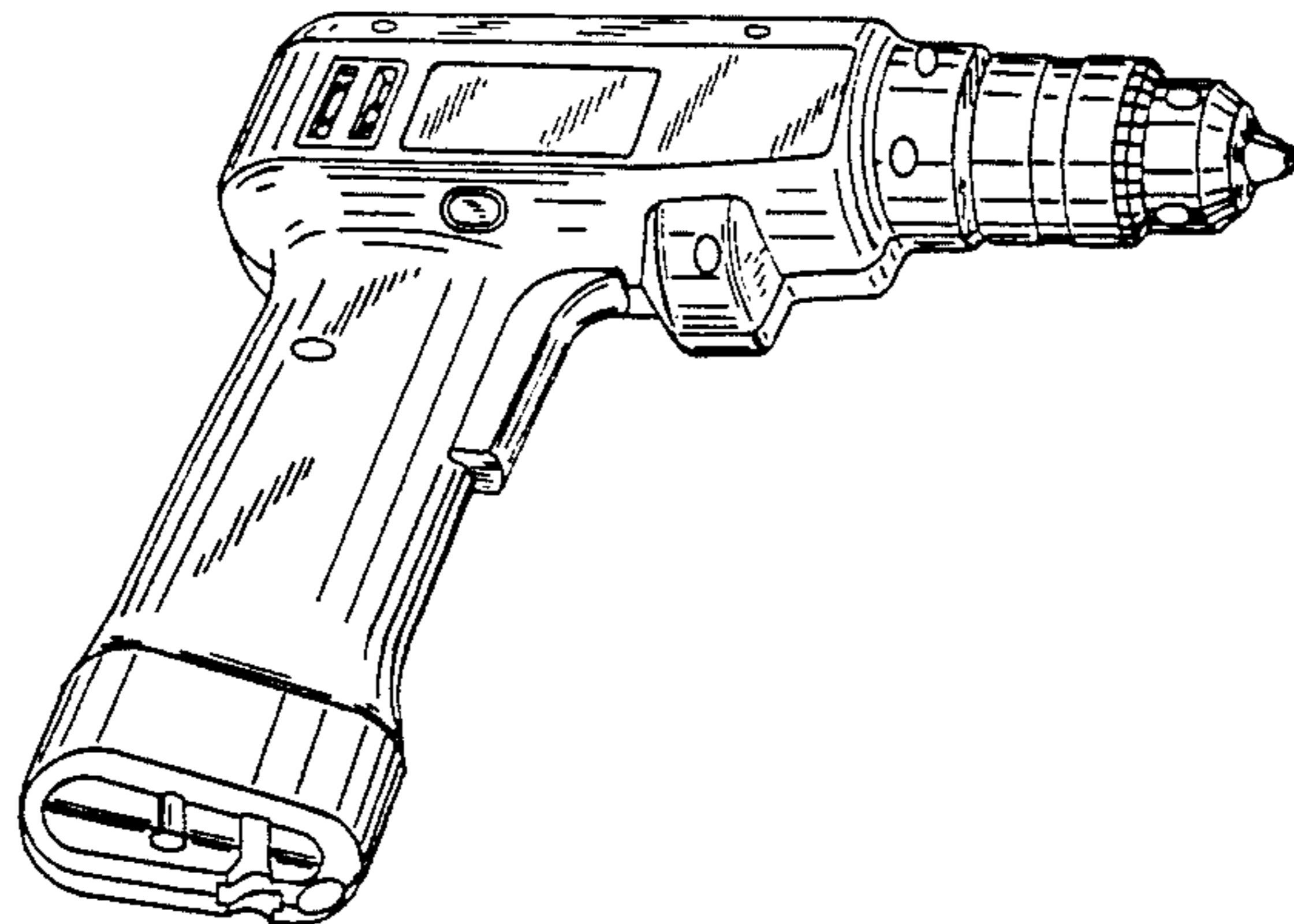
FIG. 10 is a front elevational view of the second embodiment;

FIG. 11 is a rear elevational view of the second embodiment;

FIG. 12 is a top plan view of the second embodiment;

FIG. 13 is a bottom plan view of the second embodiment; and,

FIG. 14 is a perspective view of the second embodiment.



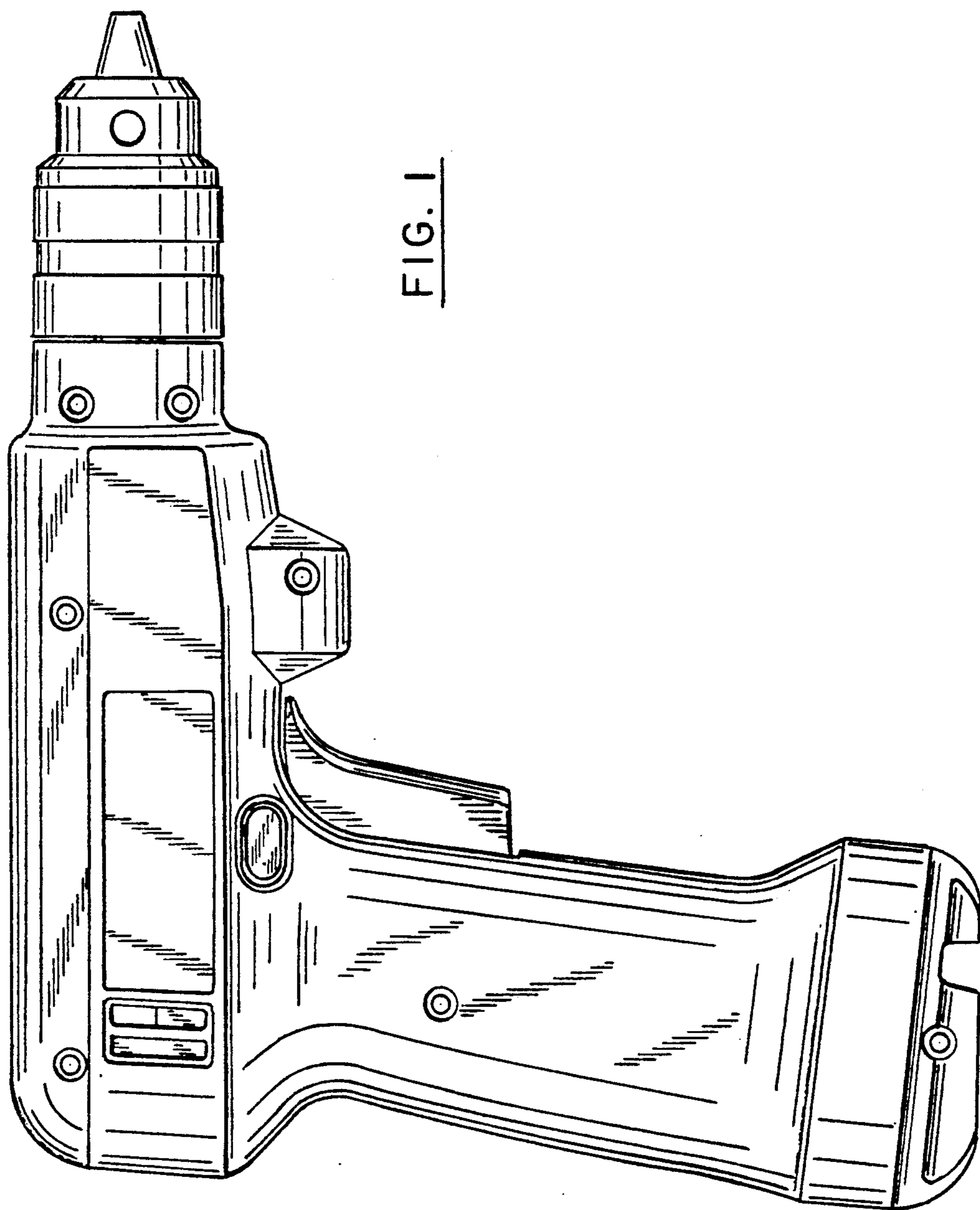


FIG. 1

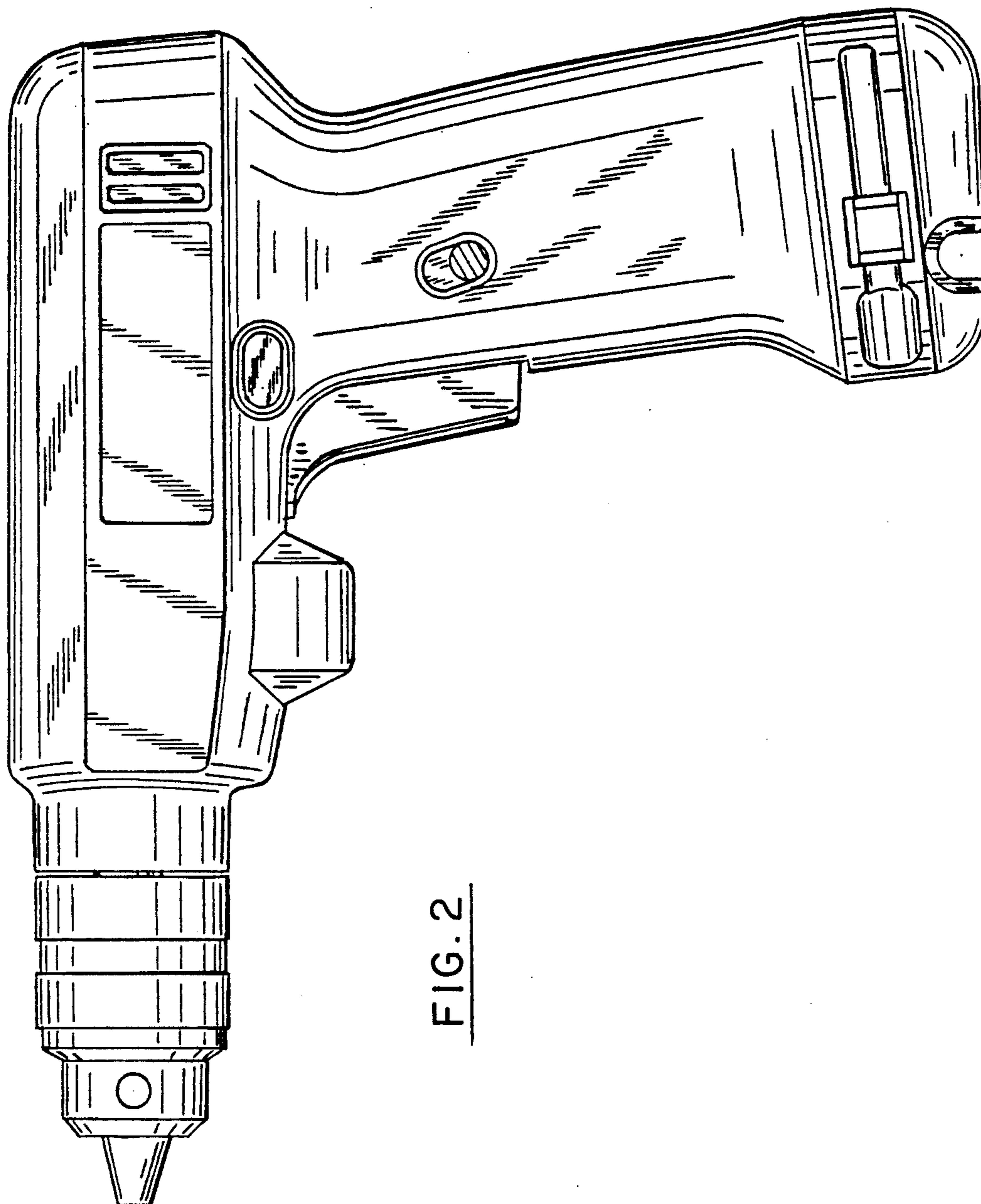


FIG. 2

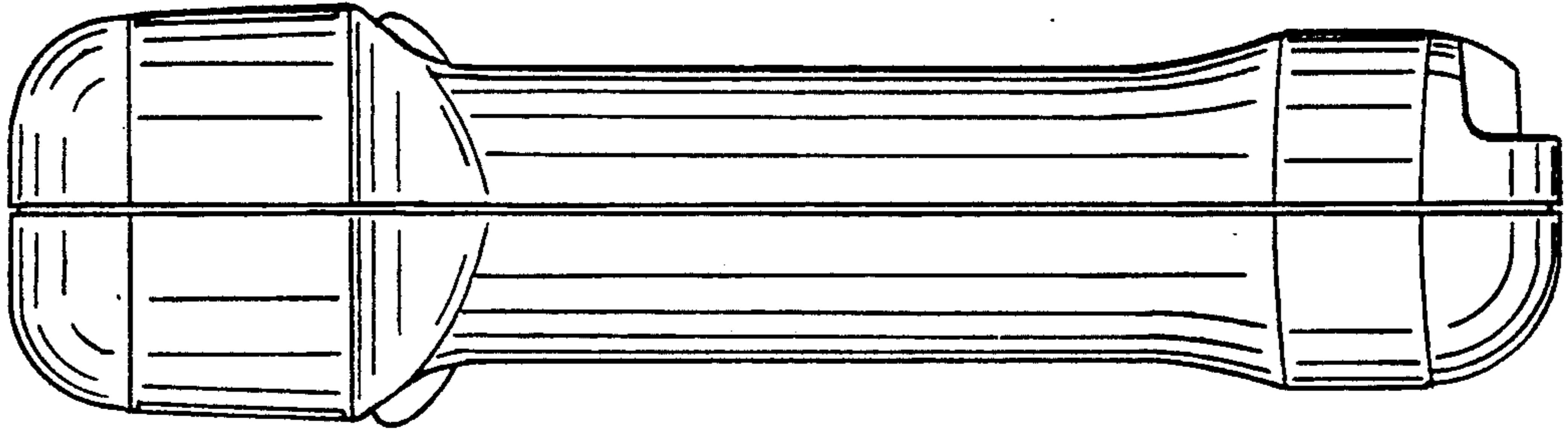


FIG. 4

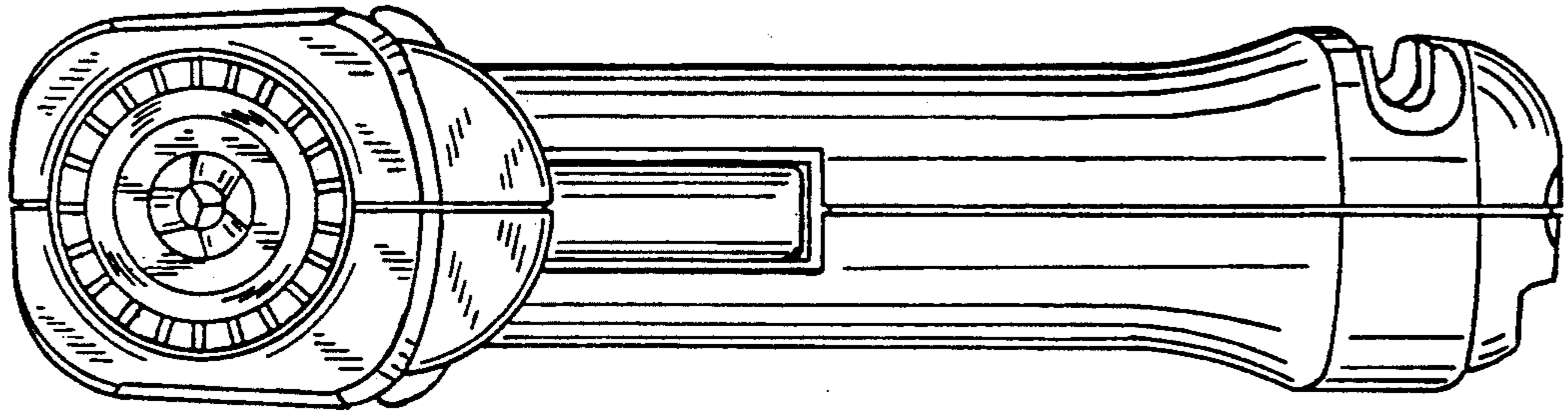


FIG. 3

FIG. 5

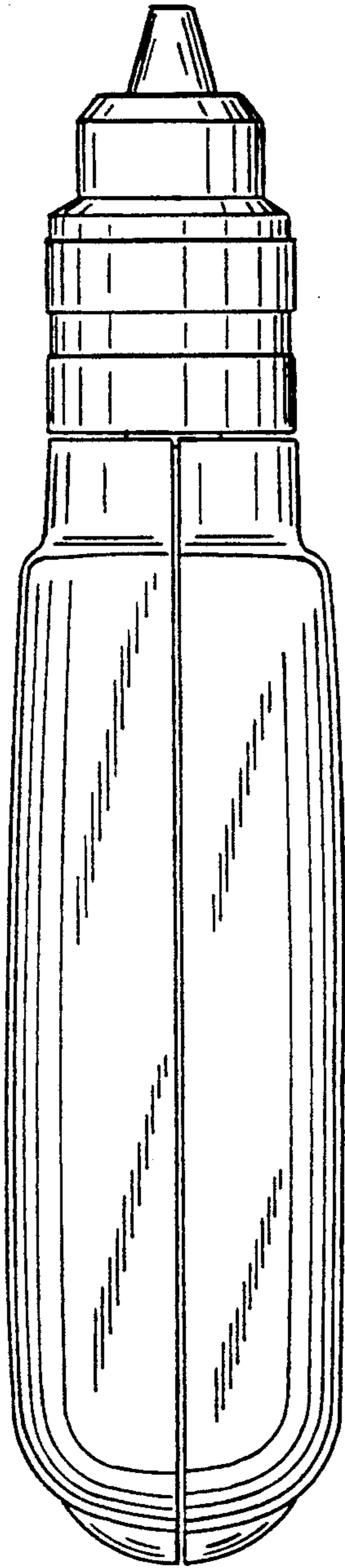
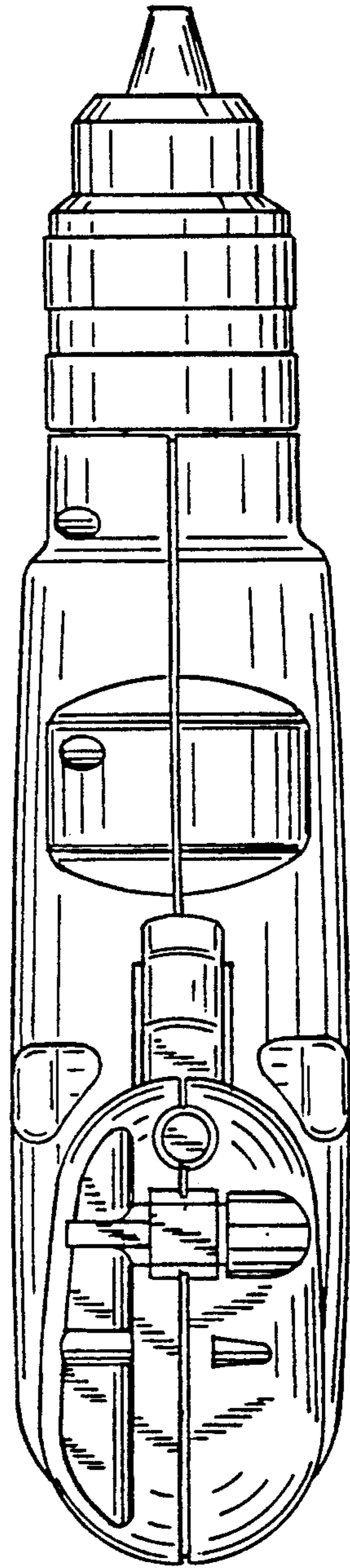


FIG. 6



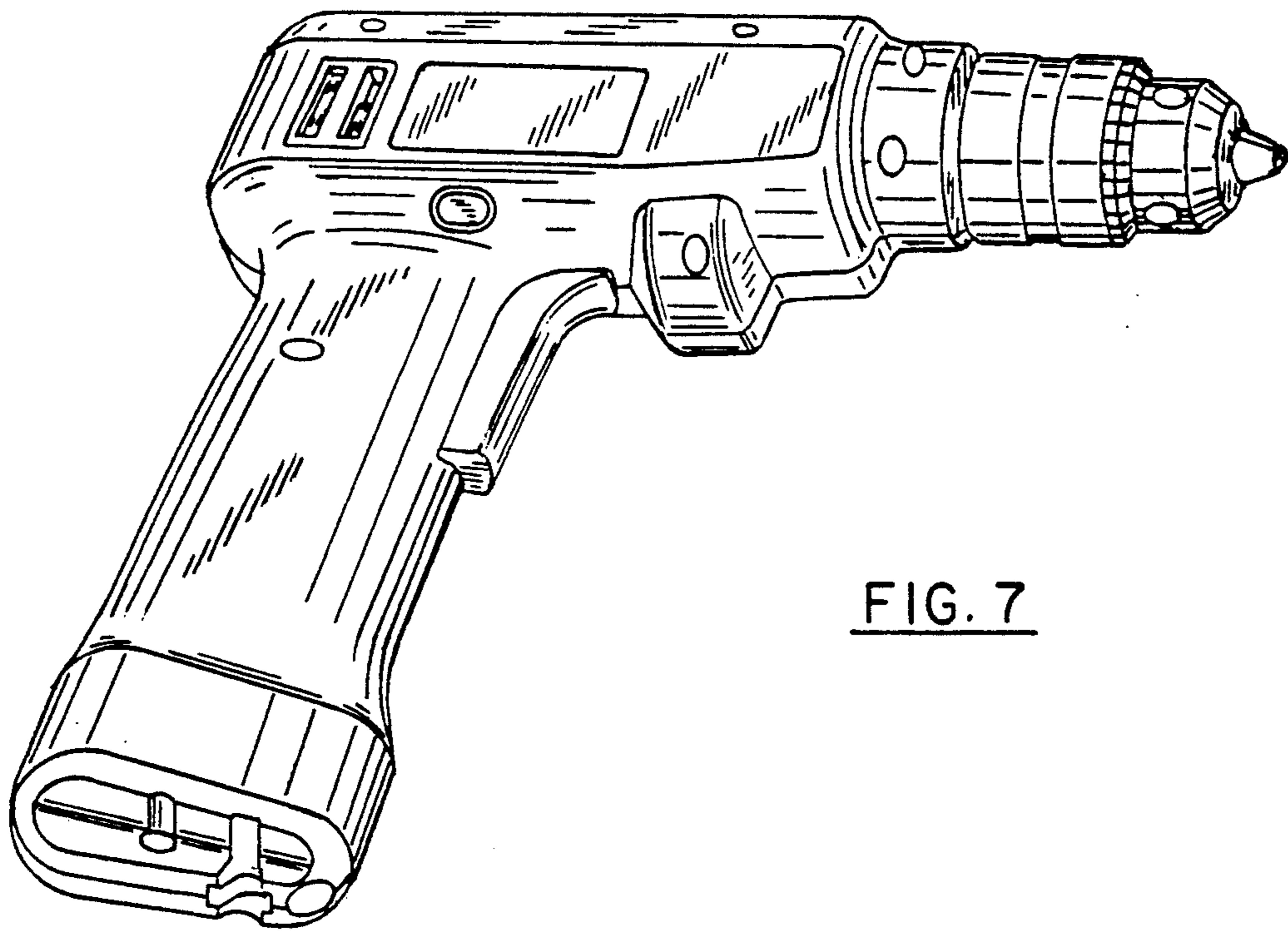
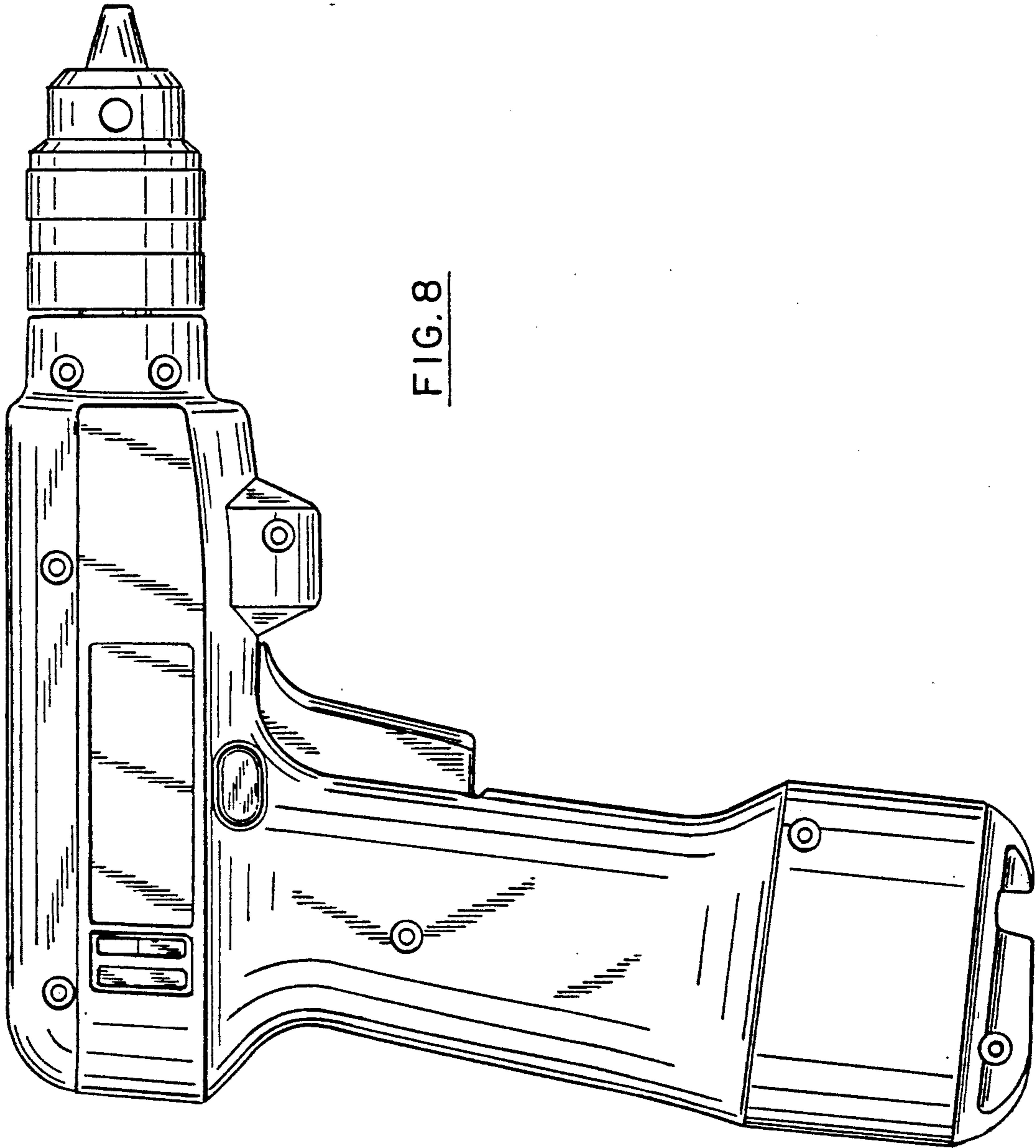


FIG. 7



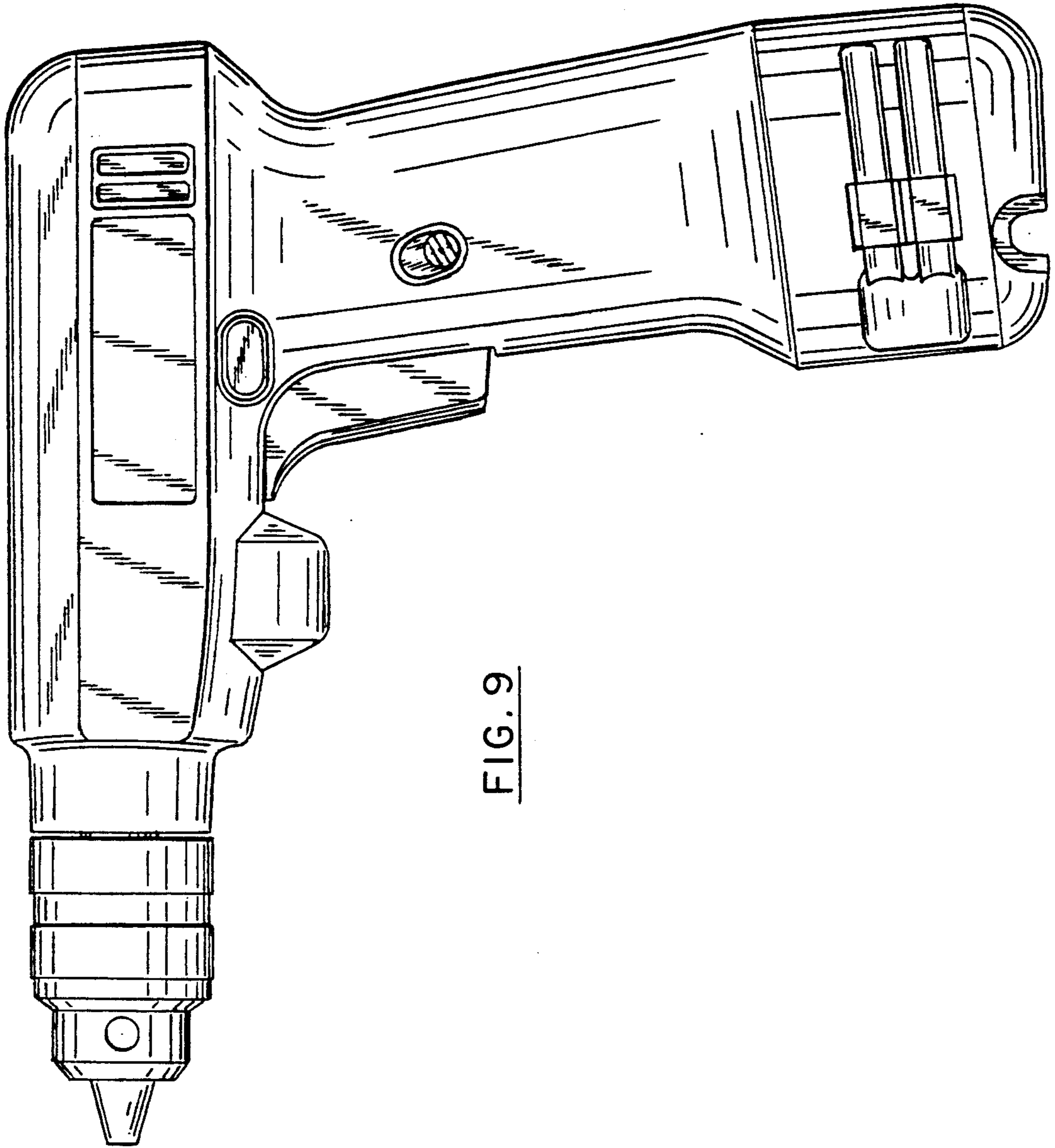


FIG. 9

FIG. 11

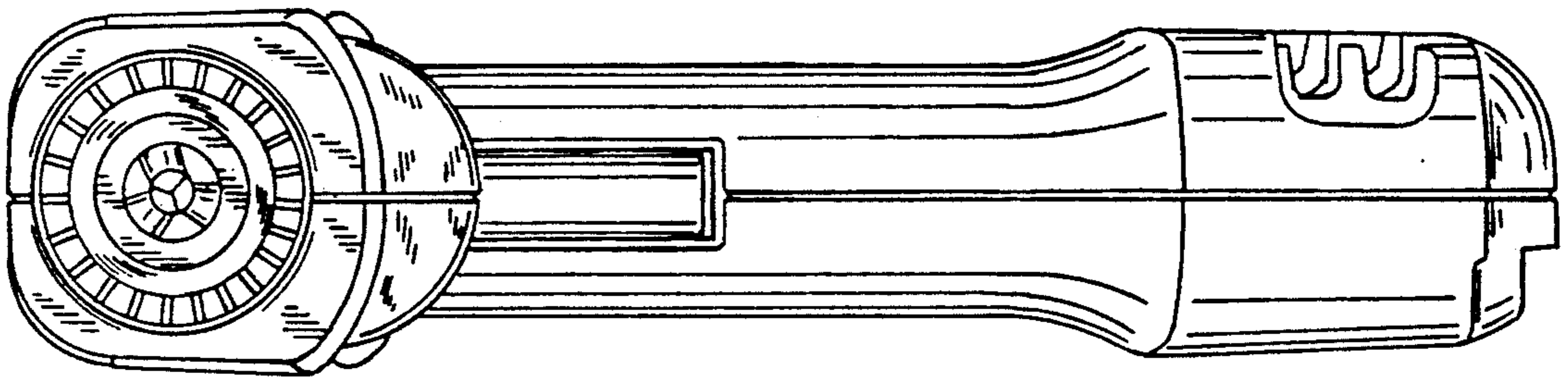
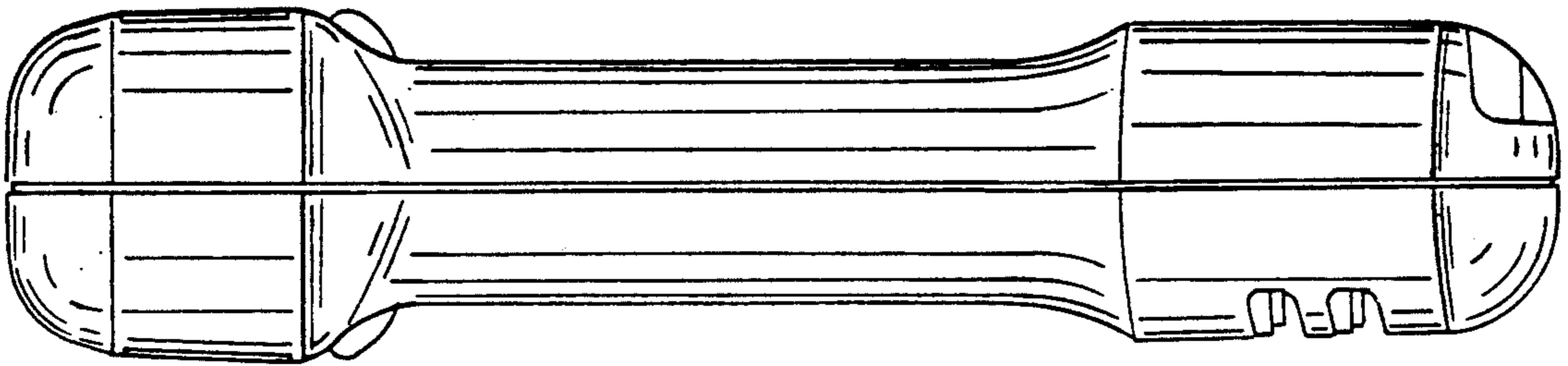


FIG. 10

FIG. 12

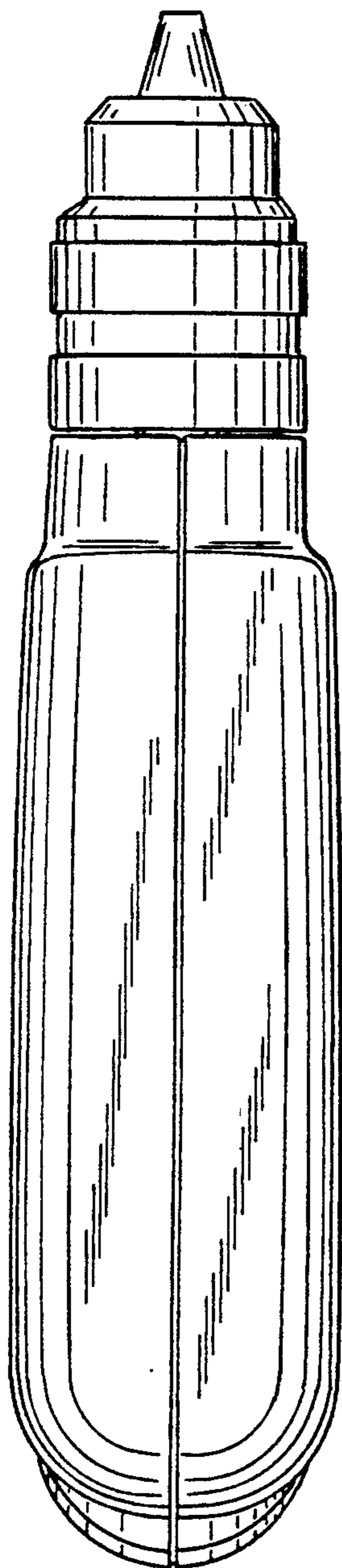
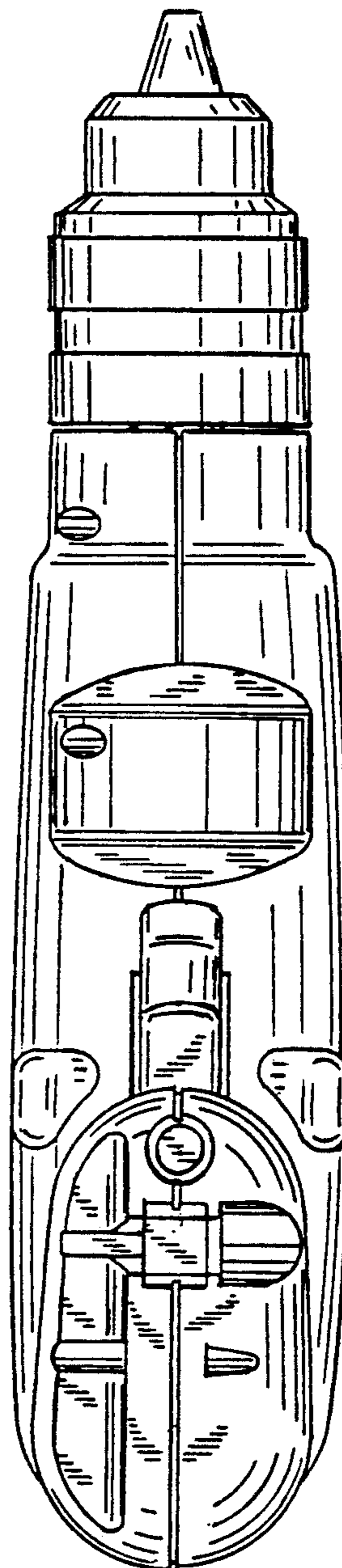


FIG. 13



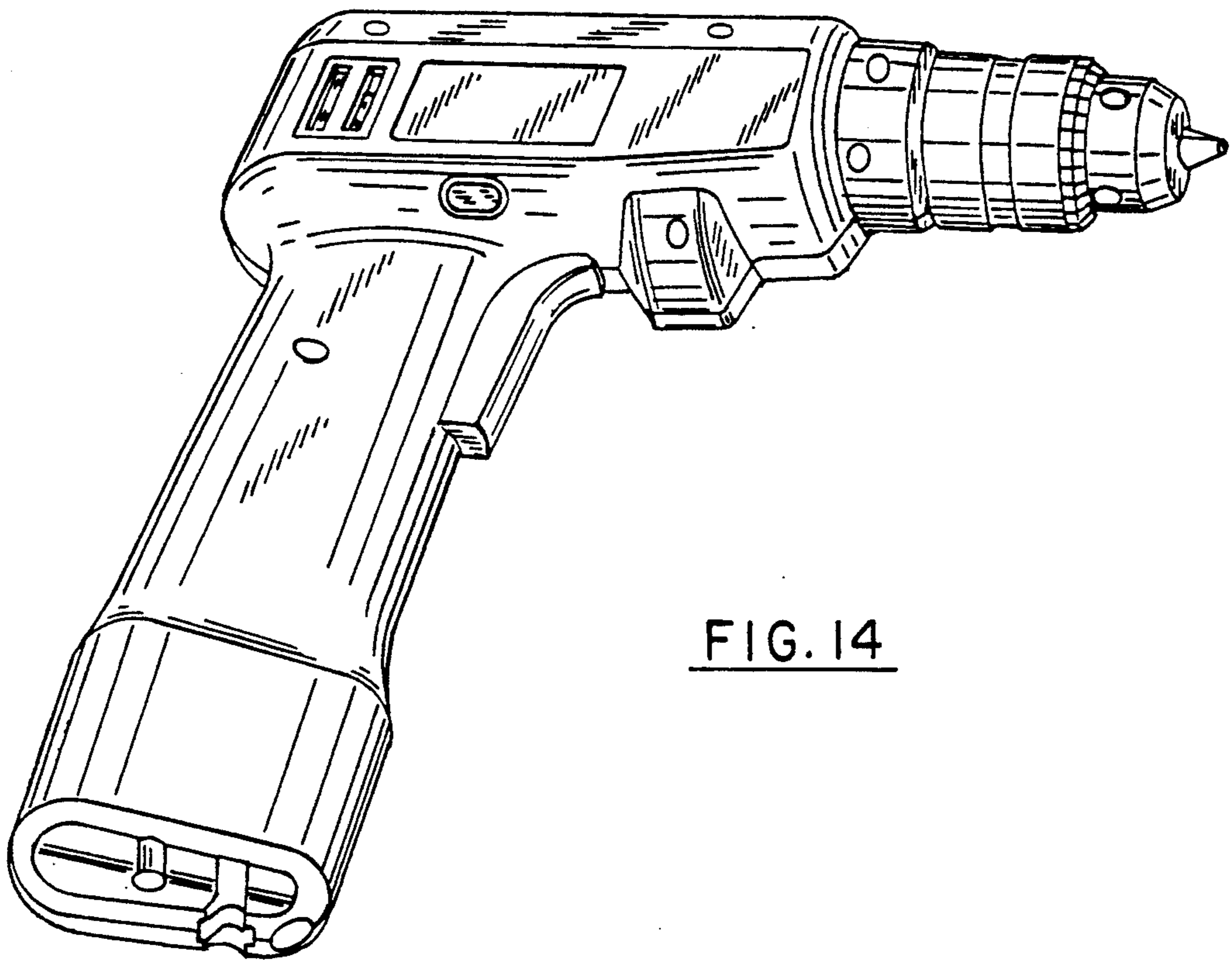


FIG. 14