



US00D333959S

# United States Patent [19]

[11] Patent Number: **Des. 333,959**

MacWalters

[45] Date of Patent: **\*\* Mar. 16, 1993**

[54] **BULLS EYE DRILL MOTOR**

D. 328,411 8/1992 Cavedo ..... D8/68  
D. 329,580 9/1992 Sasaki et al. .... D8/68

[76] Inventor: **Joseph B. MacWalters**, 510 Parkway Dr., Fairless Hills, Pa. 19030

*Primary Examiner*—Alan P. Douglas  
*Assistant Examiner*—J. H. Musgrove  
*Attorney, Agent, or Firm*—Leon Gilden

[\*\*] Term: **14 Years**

[21] Appl. No.: **673,487**

[57] **CLAIM**

[22] Filed: **Mar. 22, 1991**

The ornamental design for a bulls eye drill motor, as shown and described.

[52] U.S. Cl. .... **D8/68**

[58] Field of Search ..... D8/61, 68; 173/170; 81/57.11

**DESCRIPTION**

[56] **References Cited**

**U.S. PATENT DOCUMENTS**

D. 301,299 5/1989 Chapin ..... D8/68  
D. 301,968 7/1989 Kmetz ..... D8/68  
D. 314,498 2/1991 Hoshino et al. .... D8/68

FIG. 1 is a right side elevation view of the bulls eye drill motor showing my new design;  
FIG. 2 is a left side elevational view thereof;  
FIG. 3 is a rear elevational view thereof;  
FIG. 4 is a front elevational view thereof;  
FIG. 5 is a top plan view thereof; and,  
FIG. 6 is a bottom plan view thereof.

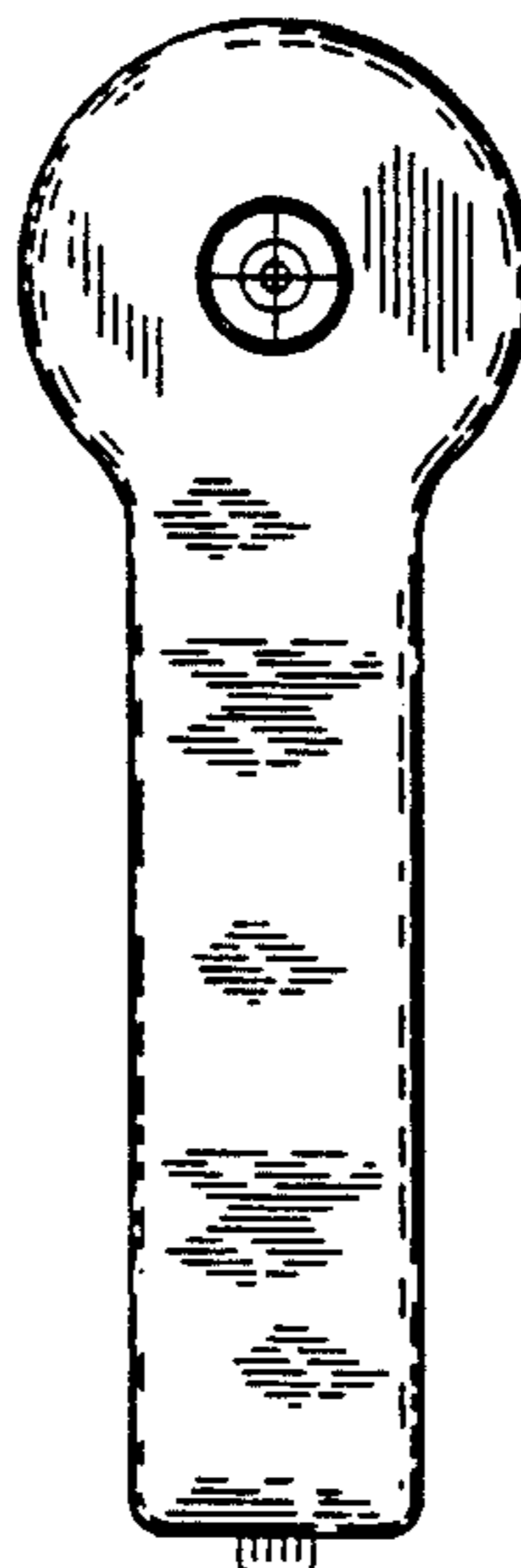
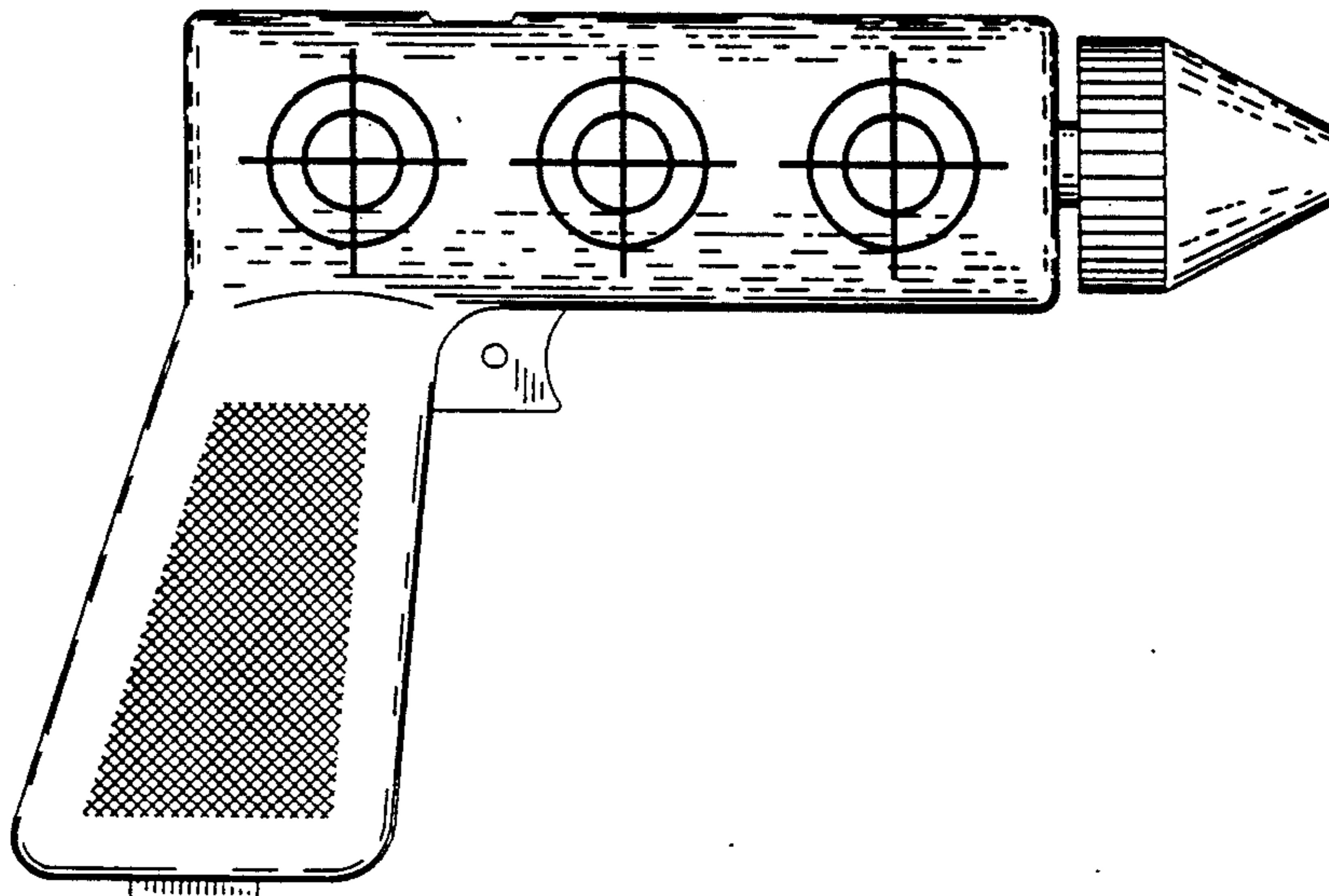


FIG. 1

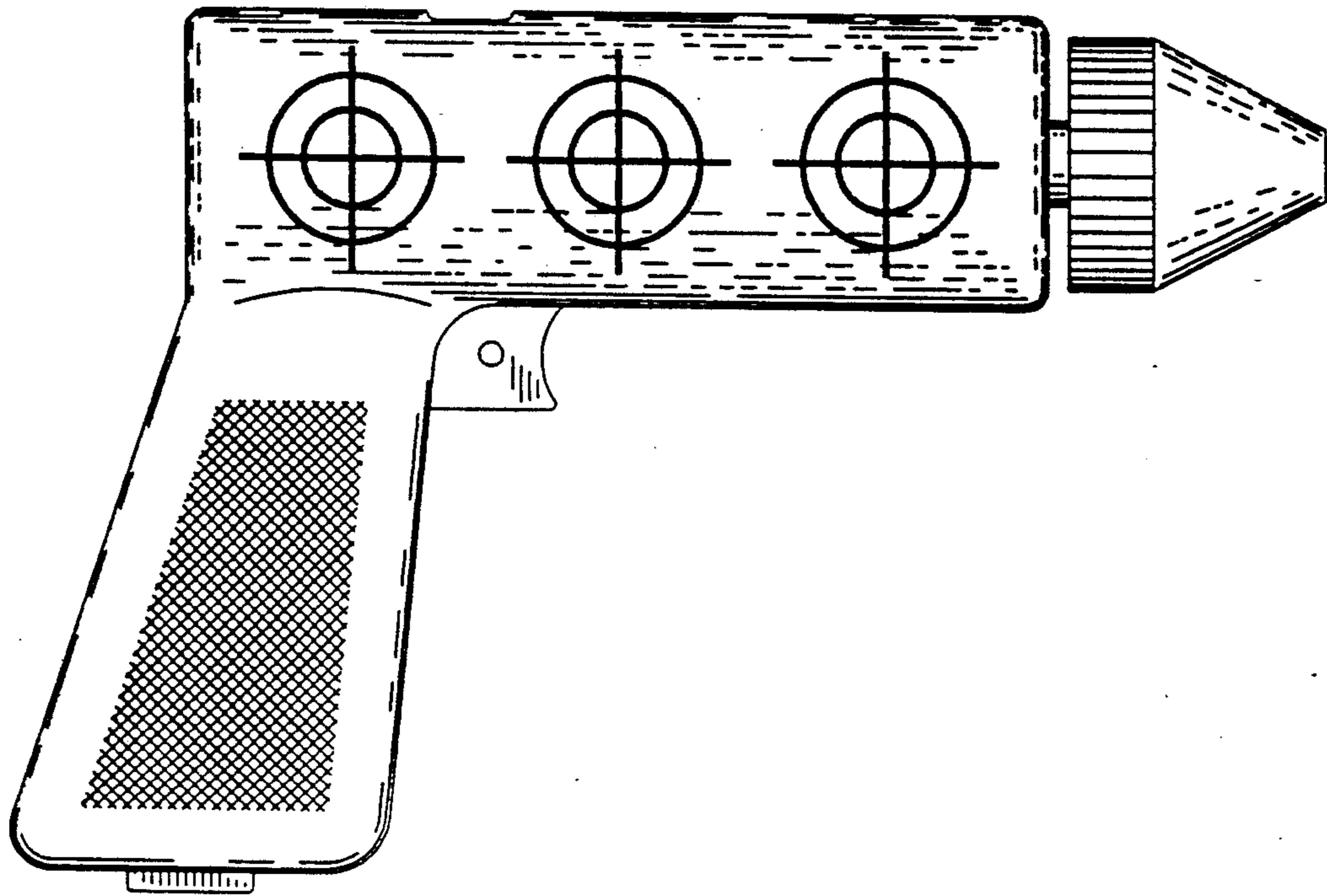


FIG. 2

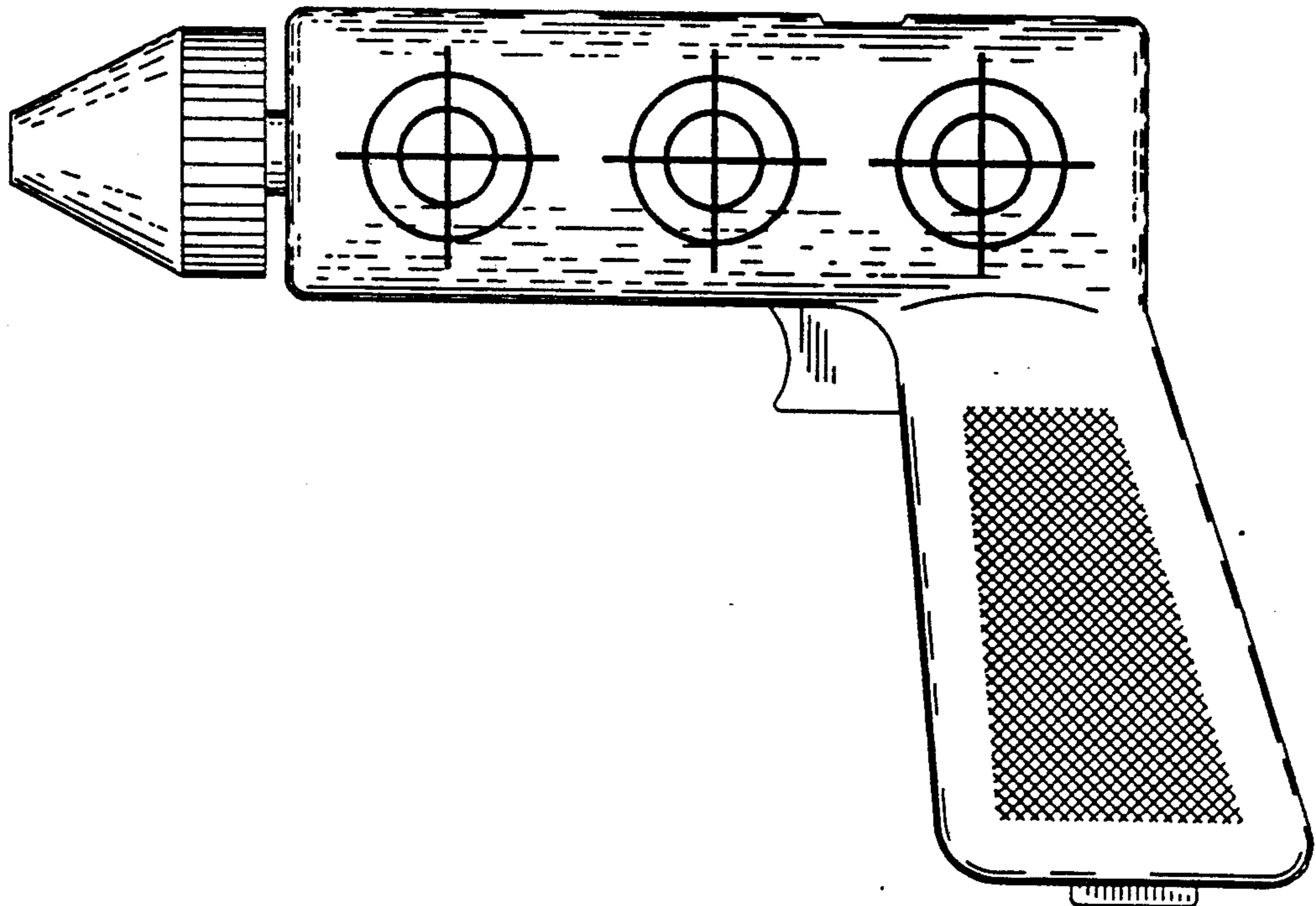


FIG. 3

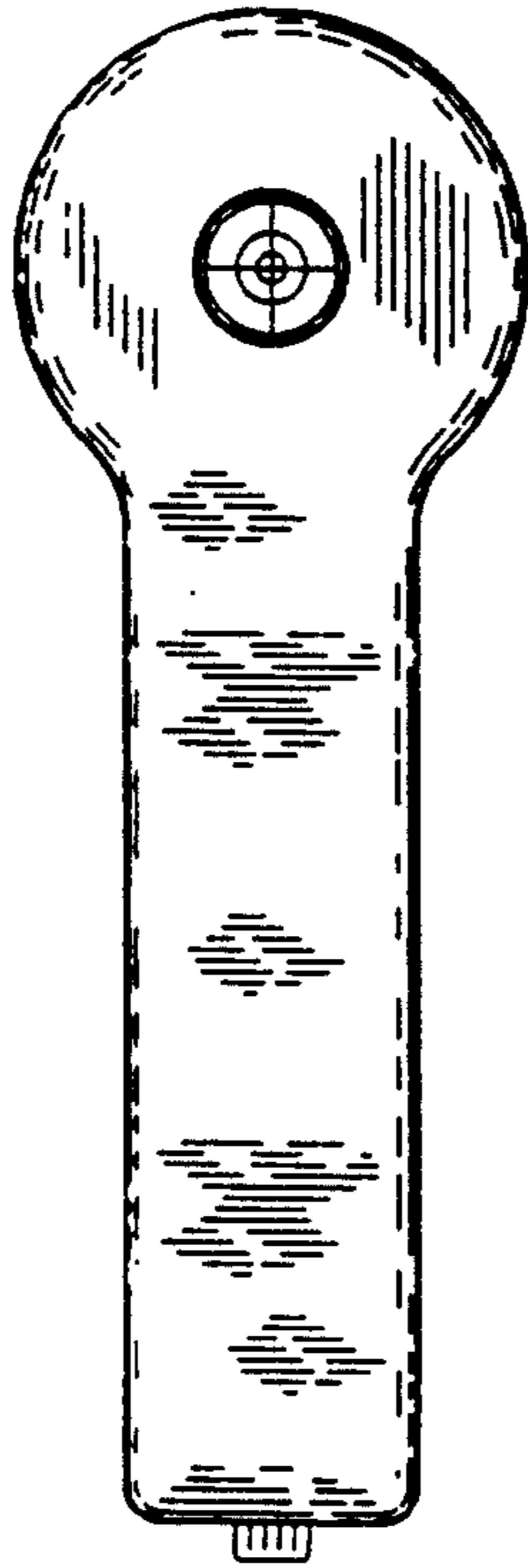


FIG. 4

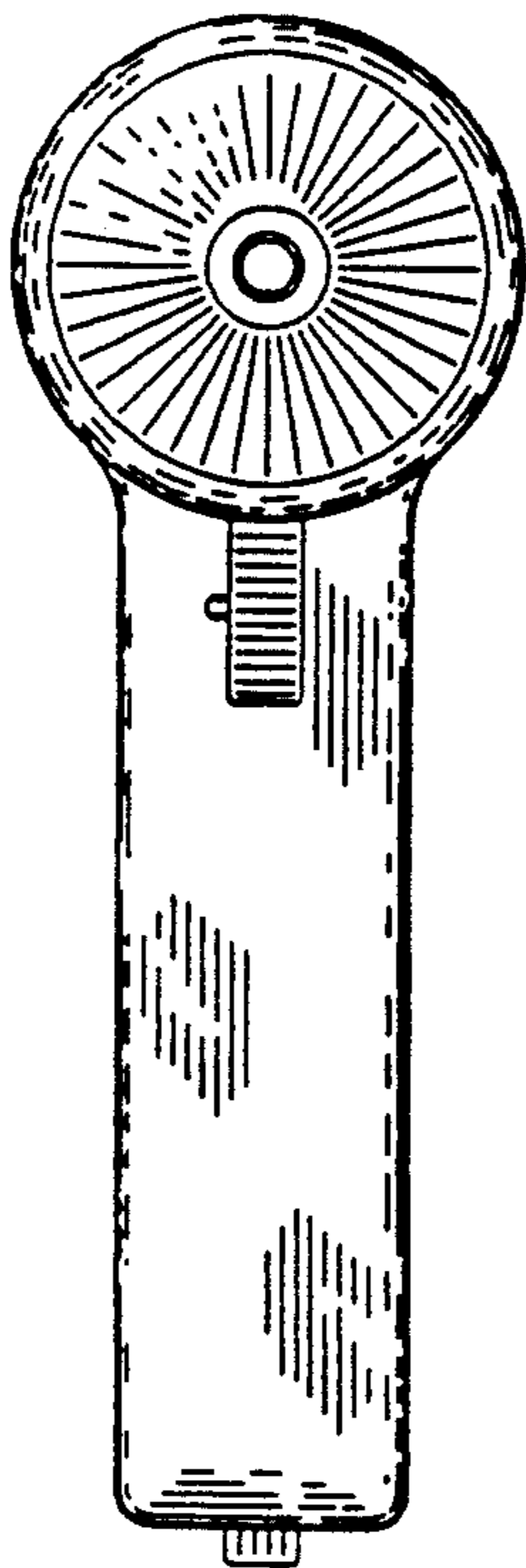


FIG. 5

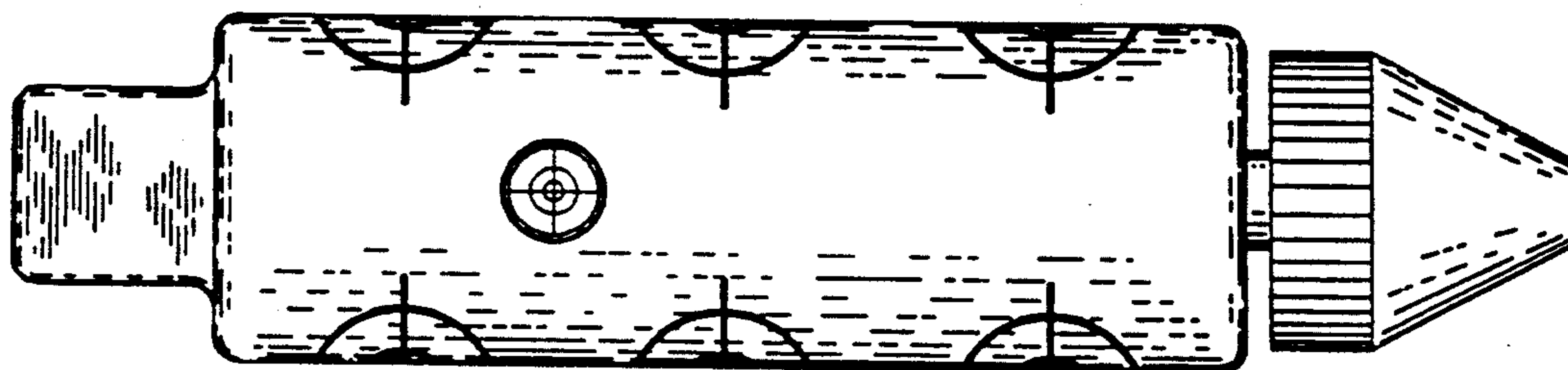


FIG. 6

