



US00D333957S

United States Patent [19]

[11] Patent Number: Des. 333,957

Chan

[45] Date of Patent: ** Mar. 16, 1993

[54] STAPLER

[76] Inventor: Eric Chan, 506 E. 82nd St., New York, N.Y. 10028

[**] Term: 14 Years

[21] Appl. No.: 545,537

[22] Filed: Jun. 28, 1990

[52] U.S. Cl. D8/50

[58] Field of Search D8/49, 50; 227/120, 227/127, 128, 155

[56] References Cited

U.S. PATENT DOCUMENTS

D. 166,206	3/1952	Marano	D8/50
D. 213,147	1/1969	Power	D8/50
D. 306,684	3/1990	Chan	D8/50
D. 308,930	7/1990	Leszczak	D8/50
3,583,622	6/1971	Graeff	227/120

OTHER PUBLICATIONS

Gifts and Decorative Accessories Jun. 1984 p. 167 "A".

Primary Examiner—Bernard Ansher

Assistant Examiner—R. Barkai

Attorney, Agent, or Firm—William E. Pelton

[57] CLAIM

The ornamental design for a stapler, as shown and described.

DESCRIPTION

FIG. 1 is a perspective view of a stapler showing my new design;

FIG. 2 is a right side elevational view, the left side elevation view being a mirror image;

FIG. 3 is a top plan view thereof;

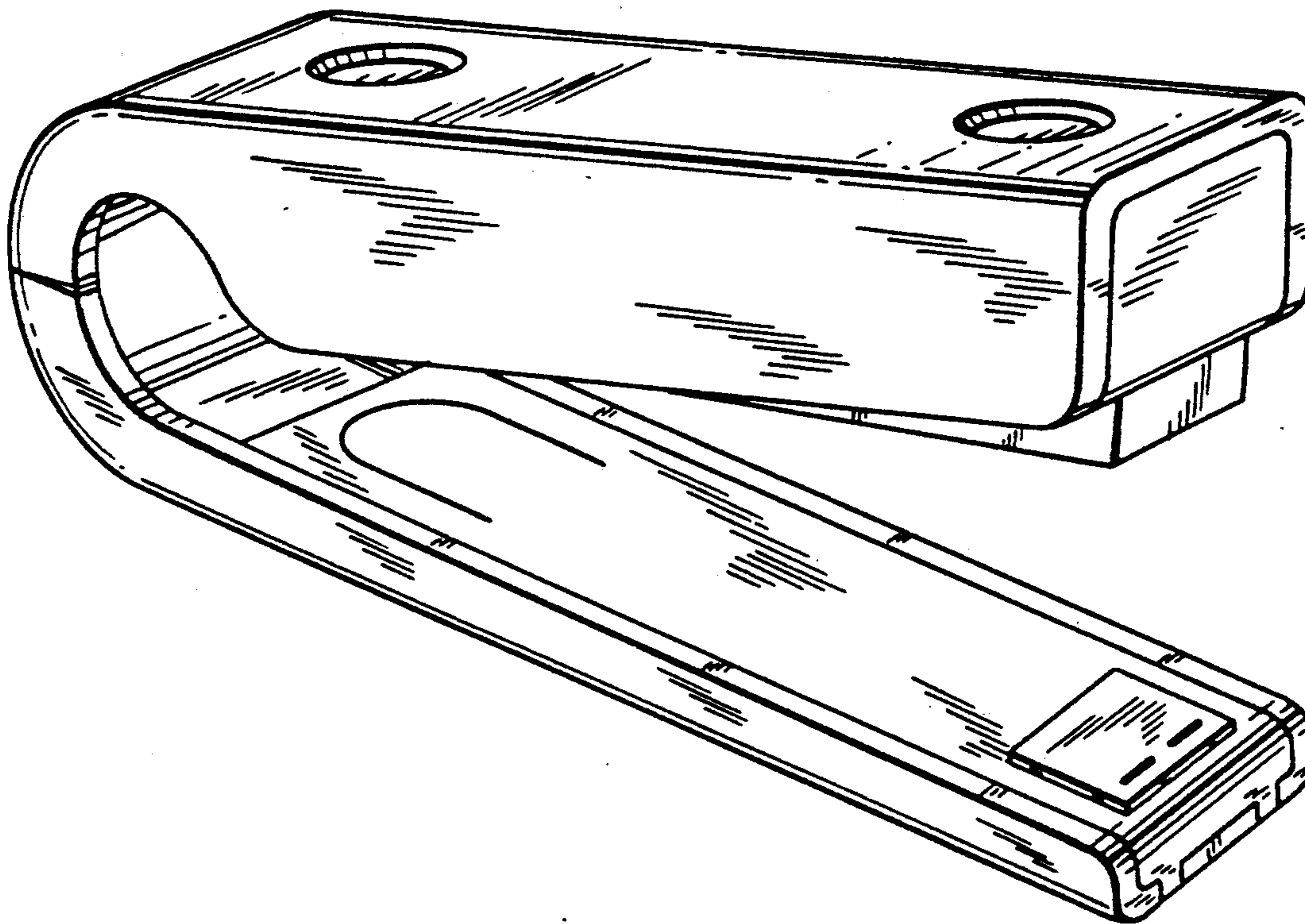
FIG. 4 is a bottom plan view thereof;

FIG. 5 is a rear elevational view thereof;

FIG. 6 is a front elevational view thereof;

FIG. 7 is a perspective view thereof with interior portions extended; and,

FIG. 8 is a right side elevational view thereof, the left side elevational view being a mirror image.



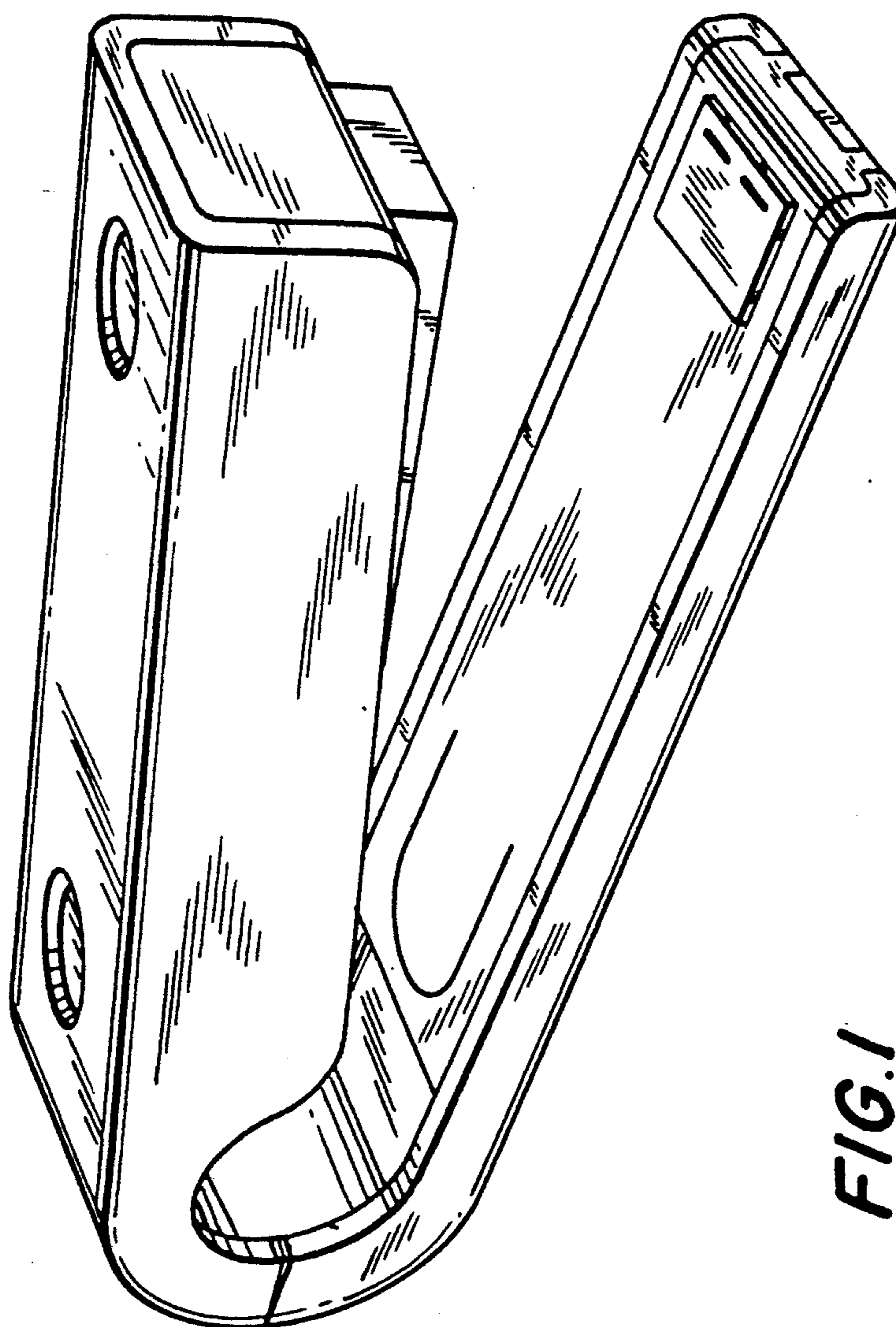


FIG. 1

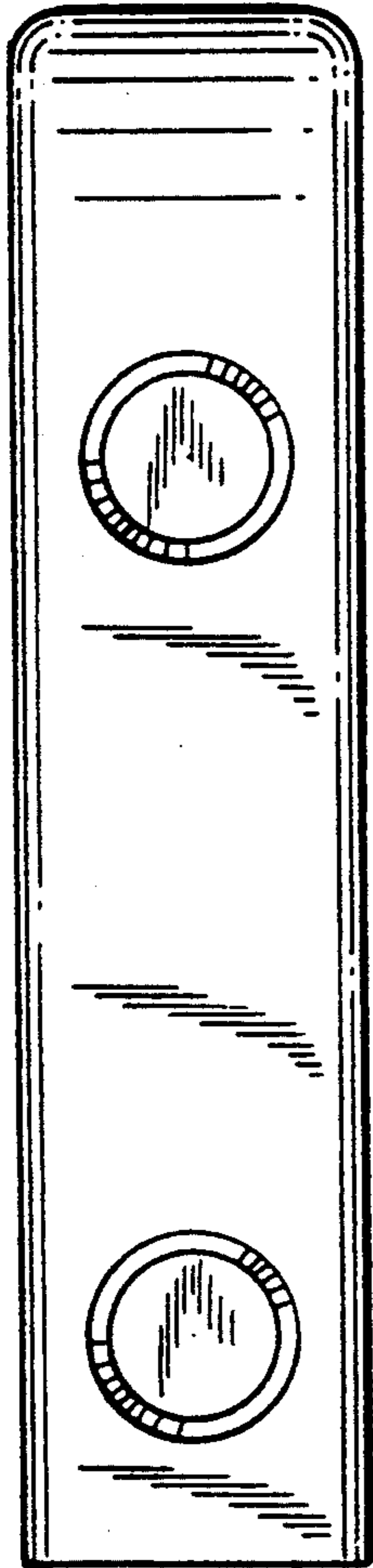


FIG. 3

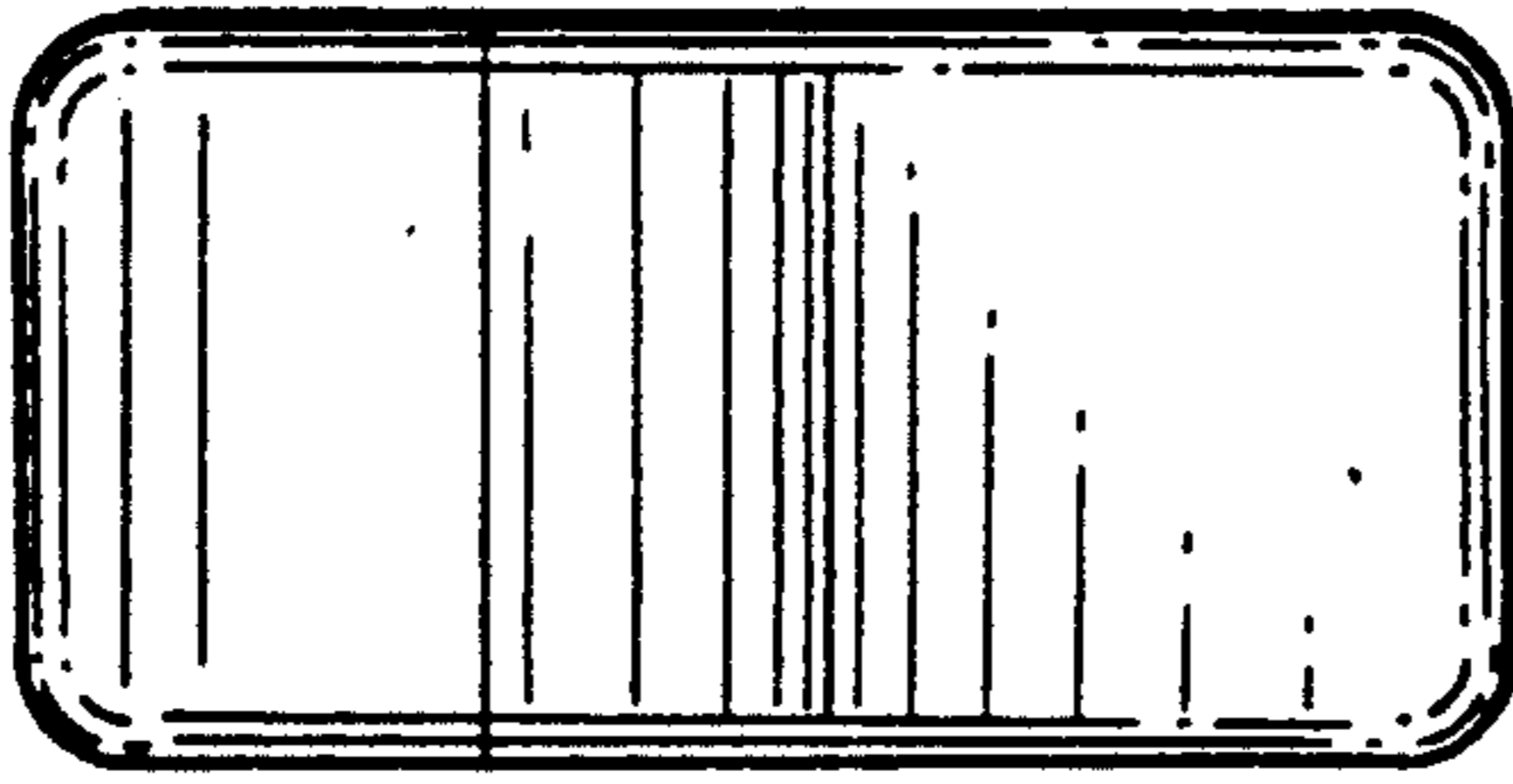


FIG. 5



FIG. 2

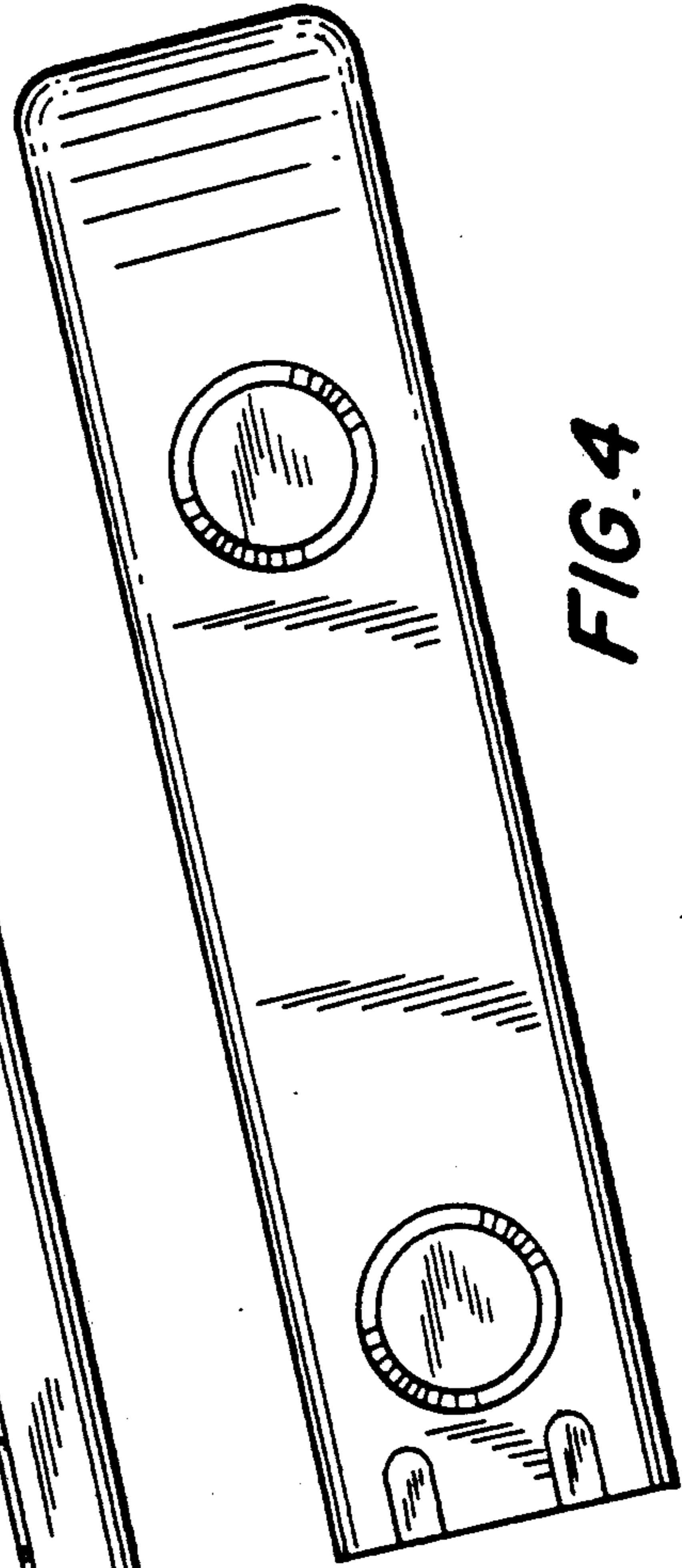


FIG. 4

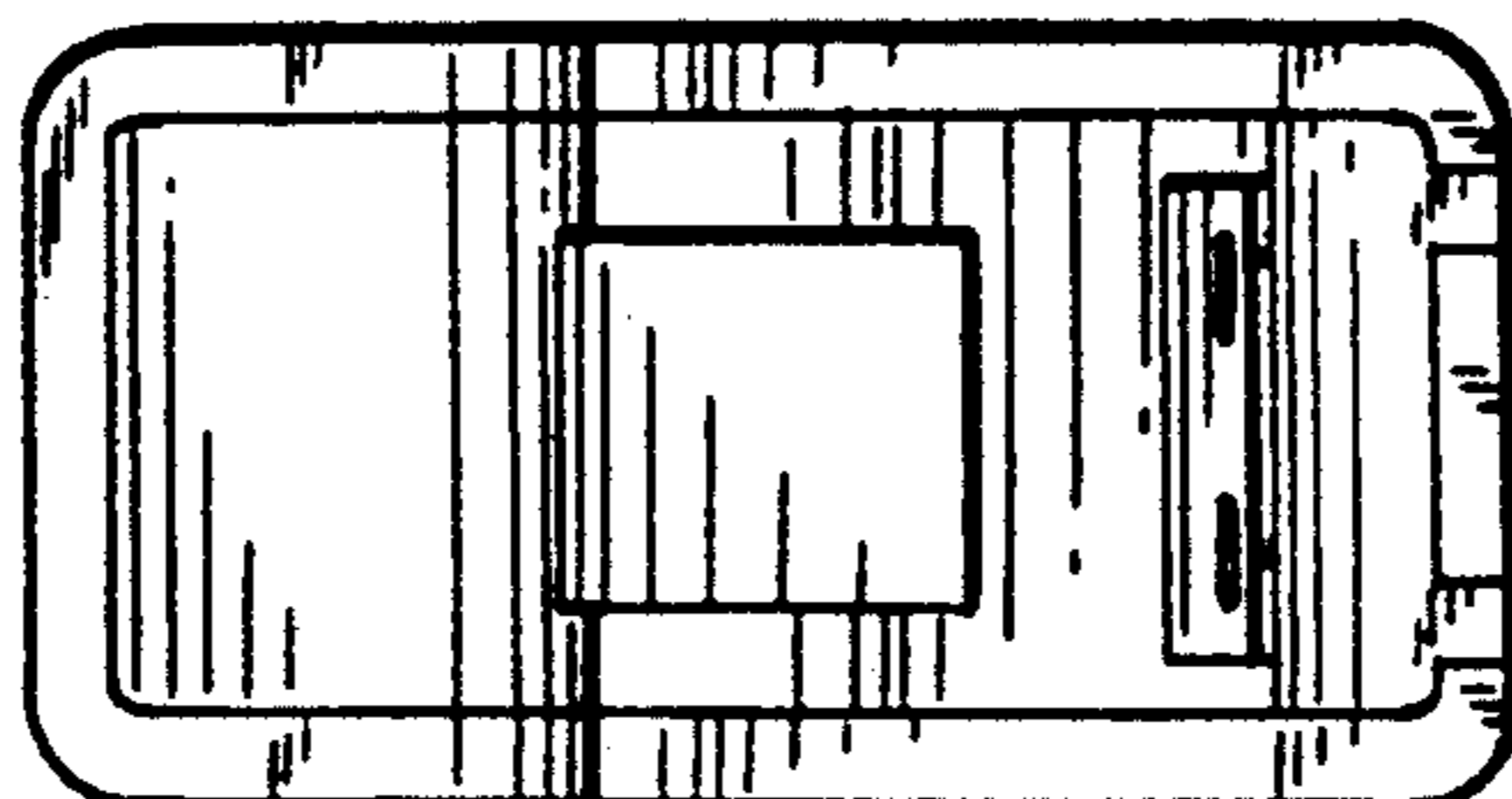


FIG. 6

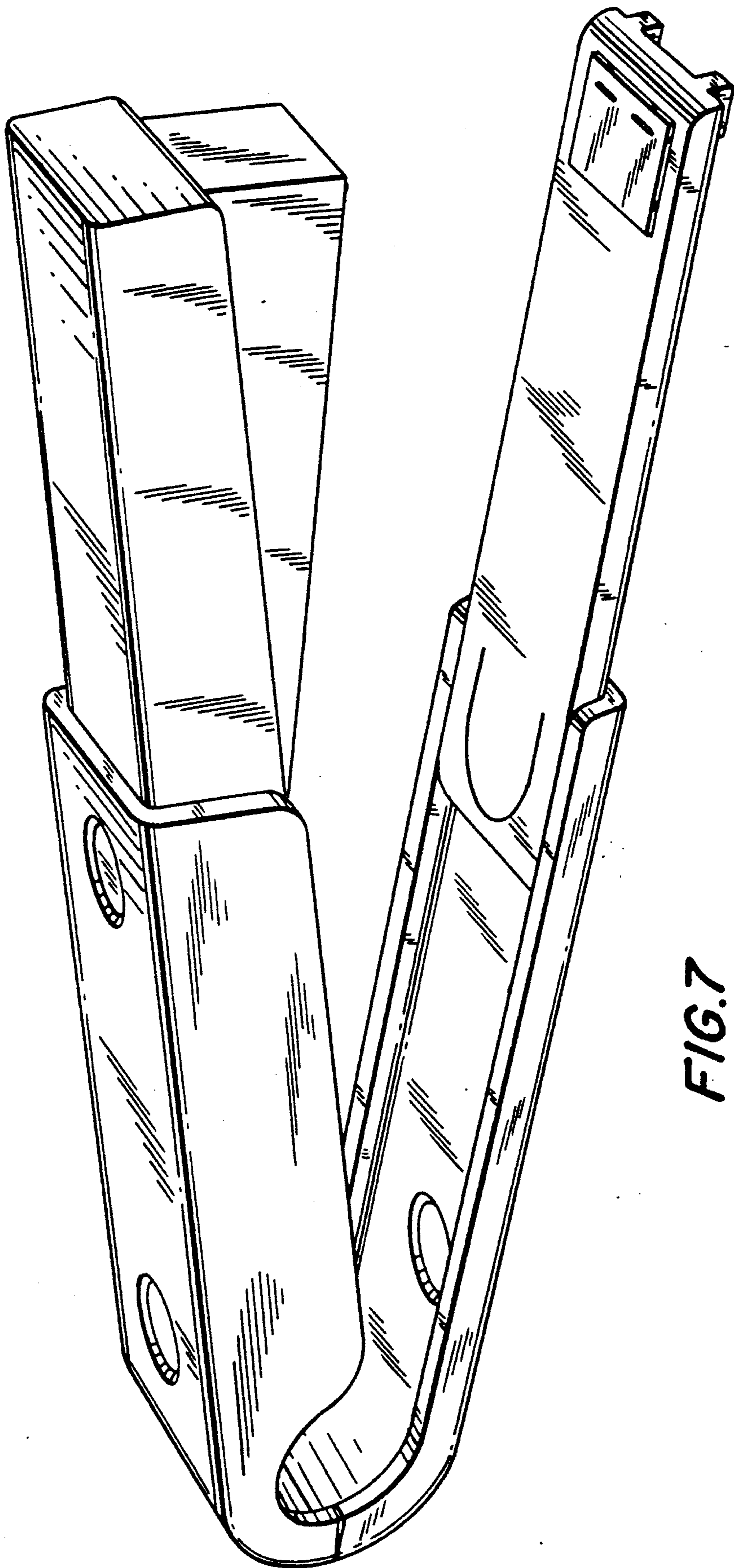


FIG. 7

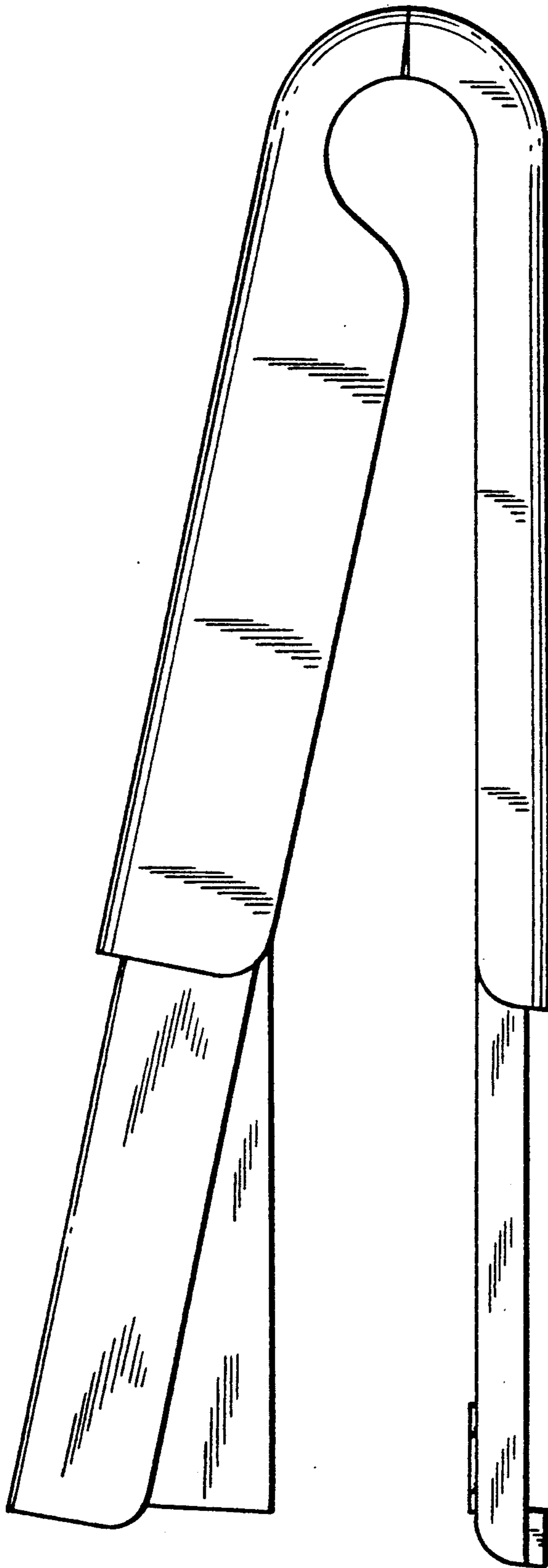


FIG. 8