



US00D333955S

United States Patent [19]

[11] Patent Number: **Des. 333,955**

Hatgas et al.

[45] Date of Patent: **** Mar. 16, 1993**

[54] **TIP FOR A DISPENSER OF CAULKING, ADHESIVE OR SEALANT**

[75] Inventors: **David J. Hatgas, Carmel, Ind.; David N. Peresie, Ashland, Ohio; Thomas P. Semans, Ashland, Ohio; Roger L. Streets, Ashland, Ohio**

[73] Assignee: **Ashland Oil, Inc., Russell, Ky.**

[**] Term: **14 Years**

[21] Appl. No.: **677,271**

[22] Filed: **Mar. 28, 1991**

[52] U.S. Cl. **D8/14.1**

[58] Field of Search **D8/14.1, 30; 219/229, 219/227, 242, 247; D9/417, 440, 447, 523; D32/31, 32; 425/458, 385**

[56] **References Cited**

U.S. PATENT DOCUMENTS

D. 289,881	5/1987	Krumm	D8/14.1
D. 310,635	9/1990	Schultz et al.	.	
D. 323,269	1/1992	Kelly et al.	D8/14.1
2,871,817	2/1959	Fasold et al.	118/407
3,334,792	8/1967	DeVroes et al.	222/289

3,594,089	7/1971	Powell et al.	401/9
3,658,213	4/1972	Plumer et al.	222/326
4,211,501	7/1980	Pedroso et al.	401/261
4,382,530	5/1983	Calisto et al.	222/567
4,502,814	3/1985	Trimble et al.	404/107
4,570,834	2/1986	Ward et al.	222/566
4,752,205	6/1988	Moriyama et al.	425/465
5,033,951	7/1991	Cook	425/458

OTHER PUBLICATIONS

Albion Catalog No. 214.

Primary Examiner—Alan P. Douglas

Assistant Examiner—J. H. Musgrove

Attorney, Agent, or Firm—Mary E. Picken

[57] **CLAIM**

The ornamental design for the tip for a dispenser of caulking, adhesive or sealant, as shown.

DESCRIPTION

FIG. 1 is top plan view of a tip for a dispenser of caulking, adhesive or sealant; FIG. 2 is a bottom plan view; FIG. 3 is a side elevational view; FIG. 4 is a front elevational view; and, FIG. 5 is a rear elevational view.

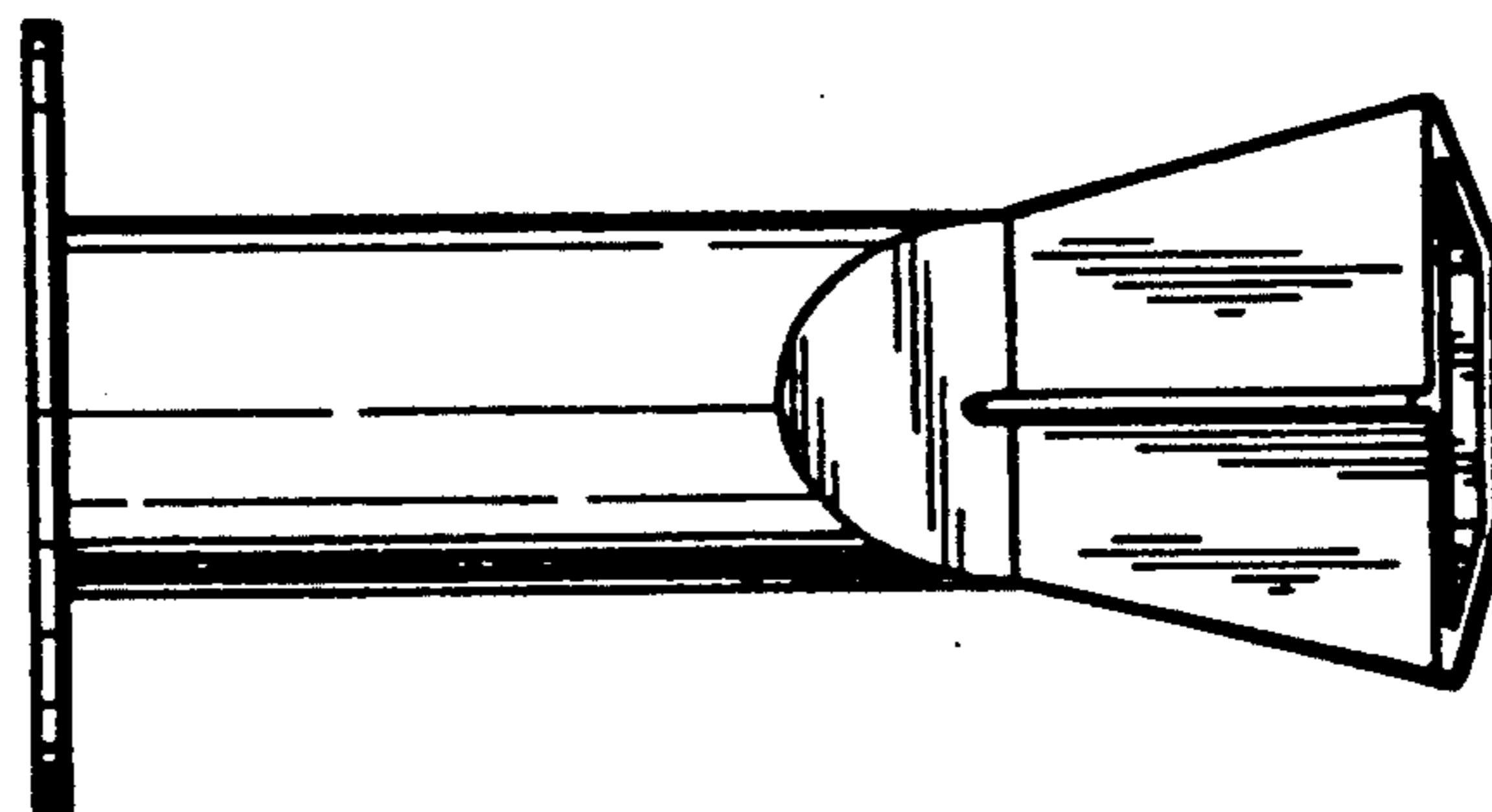
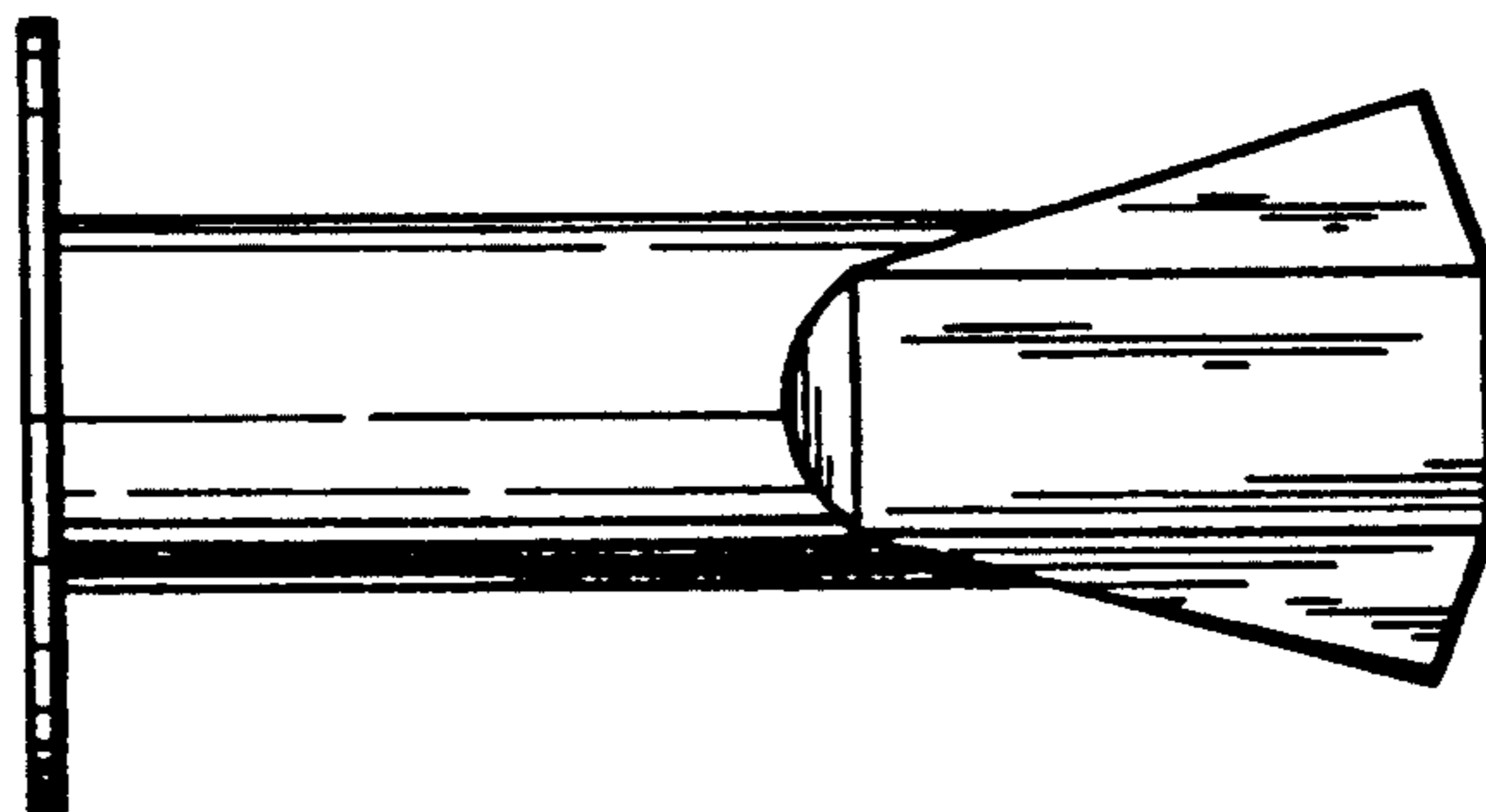


FIG. 1

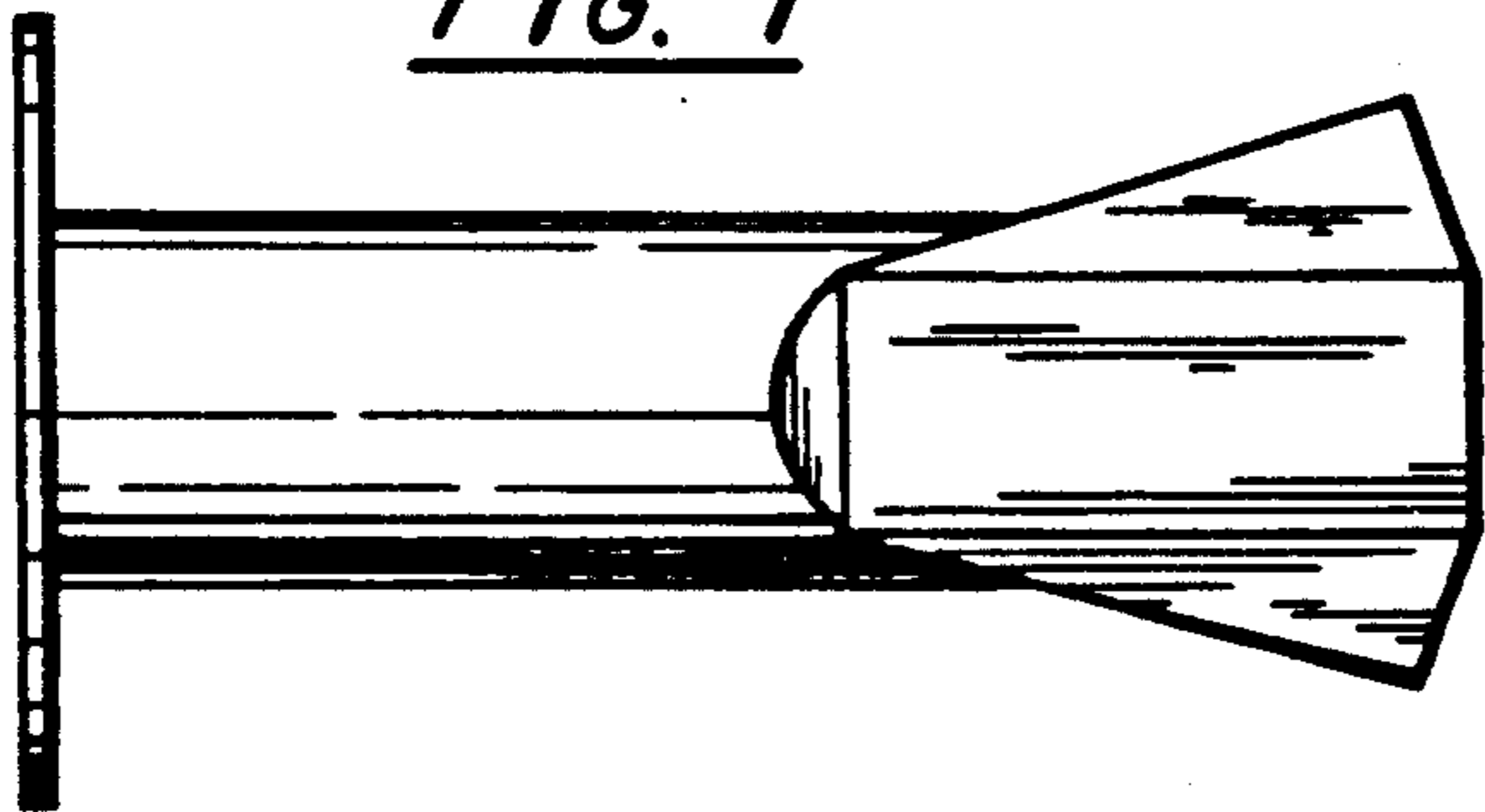


FIG. 4

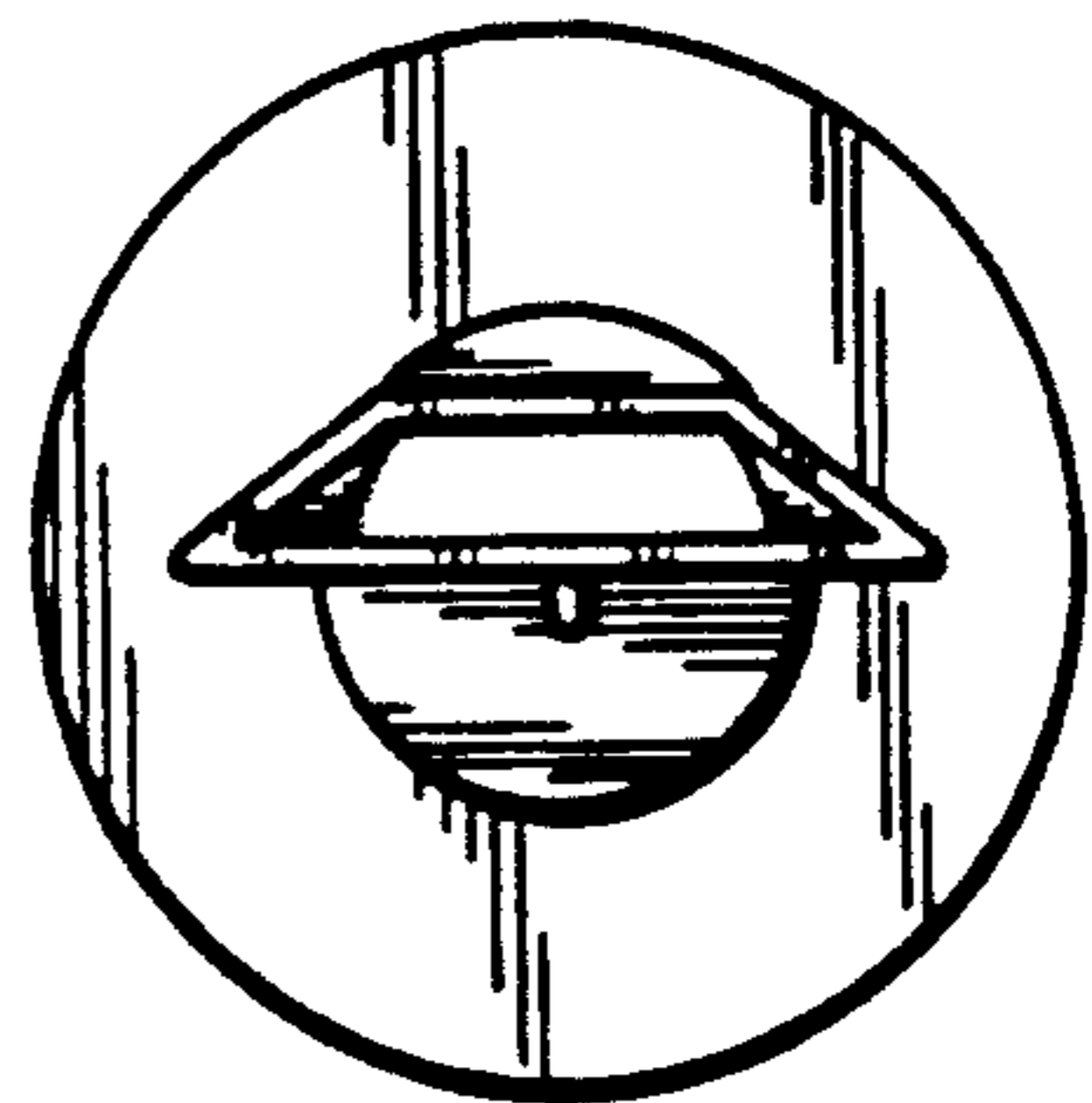


FIG. 2

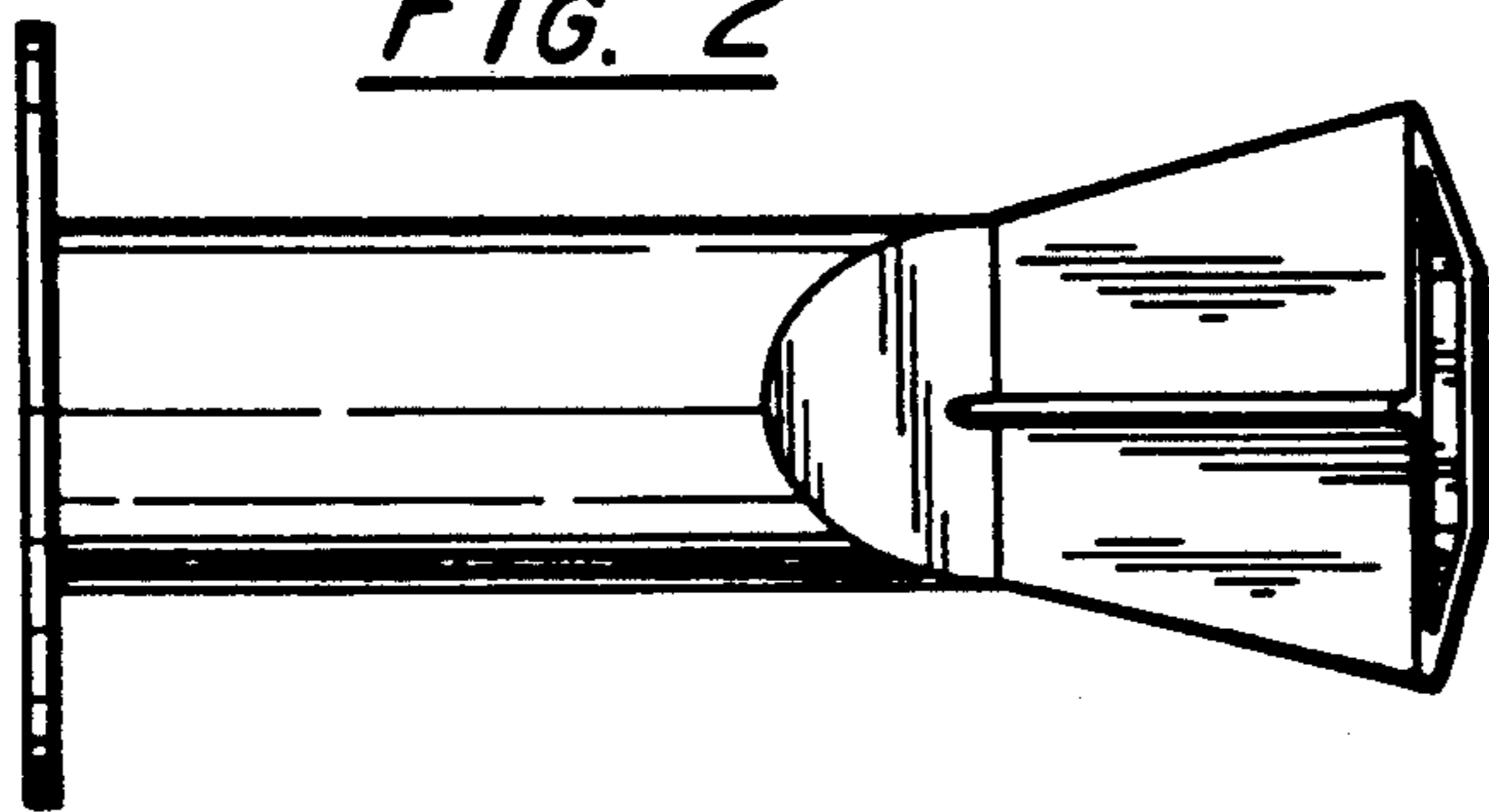


FIG. 5

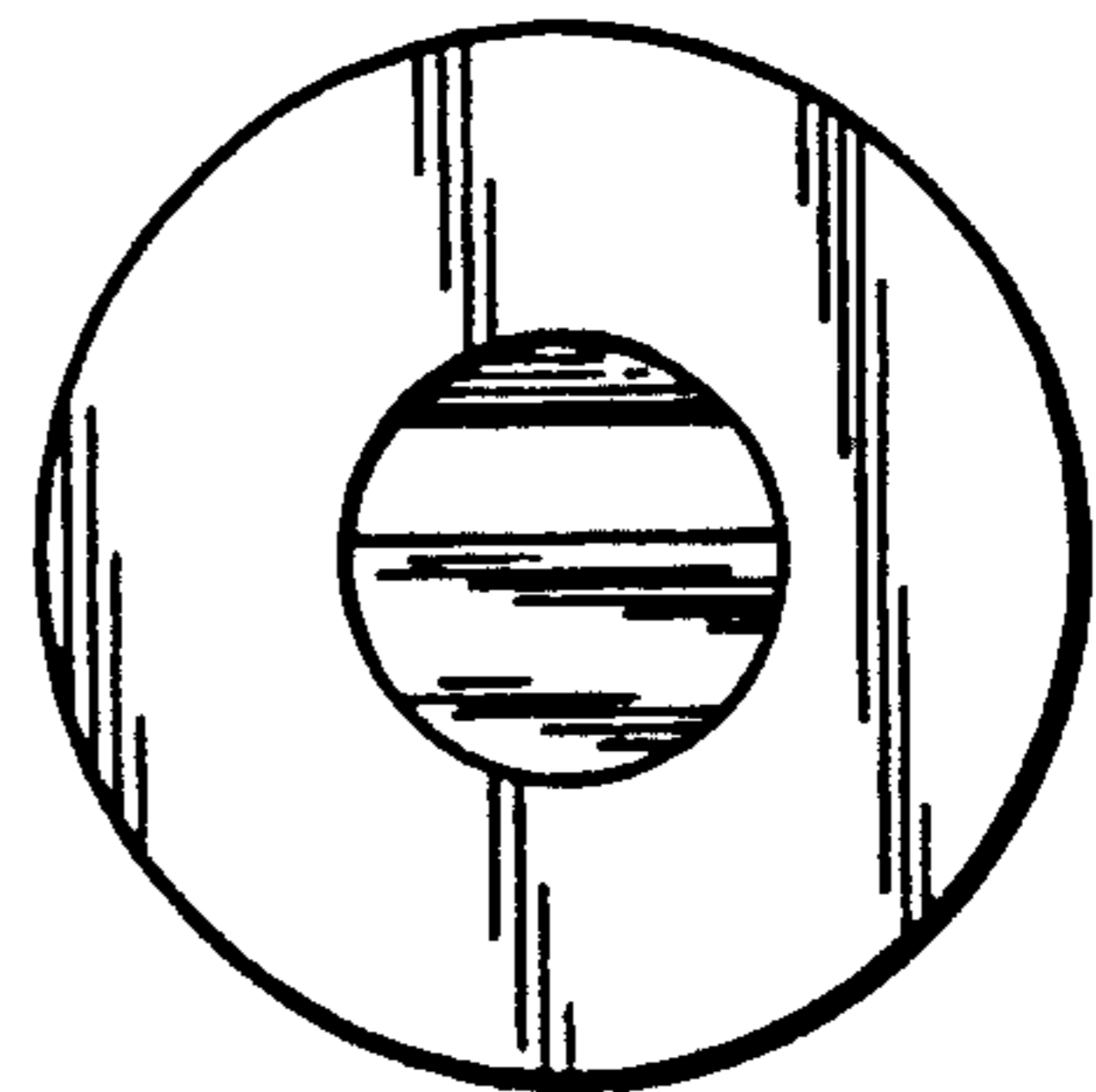


FIG. 3

