



US00D333954S

# United States Patent [19]

[11] Patent Number: **Des. 333,954**

**Karlsson et al.**

[45] Date of Patent: **\*\* Mar. 16, 1993**

## [54] WEED CUTTER

[75] Inventors: **Kenneth Karlsson**, Strandvägen;  
**Bengt Arvidsson**, Rimshult; **Mikael Norss**, Gånglåten; **Mats Svensson**, Gillesgatan, all of Sweden

[73] Assignee: **Husqvarna Forest & Garden AB**, Huskvarna, Sweden

[\*\*] Term: **14 Years**

[21] Appl. No.: **727,140**

[22] Filed: **Jul. 9, 1991**

### [30] Foreign Application Priority Data

Jan. 17, 1991 [SE] Sweden ..... 910088

[52] U.S. Cl. .... **D8/8**

[58] Field of Search ..... **D8/8; 30/276; 56/12.7**

### [56] References Cited

#### U.S. PATENT DOCUMENTS

D. 250,745	1/1979	Kuwano	.....	D8/8
D. 252,130	6/1979	Hoff	.....	D8/8
D. 260,394	8/1981	Tuggle	.....	D8/8 X
D. 304,196	10/1989	Tuggle	.....	D8/8 X
D. 307,860	5/1990	Ellis	.....	D8/8
D. 324,051	2/1992	Tuggle et al.	.....	D8/8 X
4,825,548	5/1989	Driggers	.....	30/276

## OTHER PUBLICATIONS

Swedish Brochures: (1) Alpina; (2) Alpina; (3) Motore-lite; (4) Homelite Ca Va Vite; (5) Stihl FS 340,360,160,180 220,86,81 & FS 66; (6) Kawasaki Debroussaillesuses; (7) Kaaz Debroussailleuses; (8) Iseki—Shindaiwa; and (9) Echo—Faux A Moteur Debroussailleuses.

Copy of Publication—Registreringstidning for monster Aug. 27, 1986—M 782/1986; M 783/1986.

*Primary Examiner*—Wallace R. Burke

*Assistant Examiner*—H. Baynham

*Attorney, Agent, or Firm*—Harness, Dickey & Pierce

## [57] CLAIM

The ornamental design for a weed cutter, as shown and described.

## DESCRIPTION

FIG. 1 is a perspective view of a weed cutter showing our new design;

FIG. 2 is a side elevational view thereof;

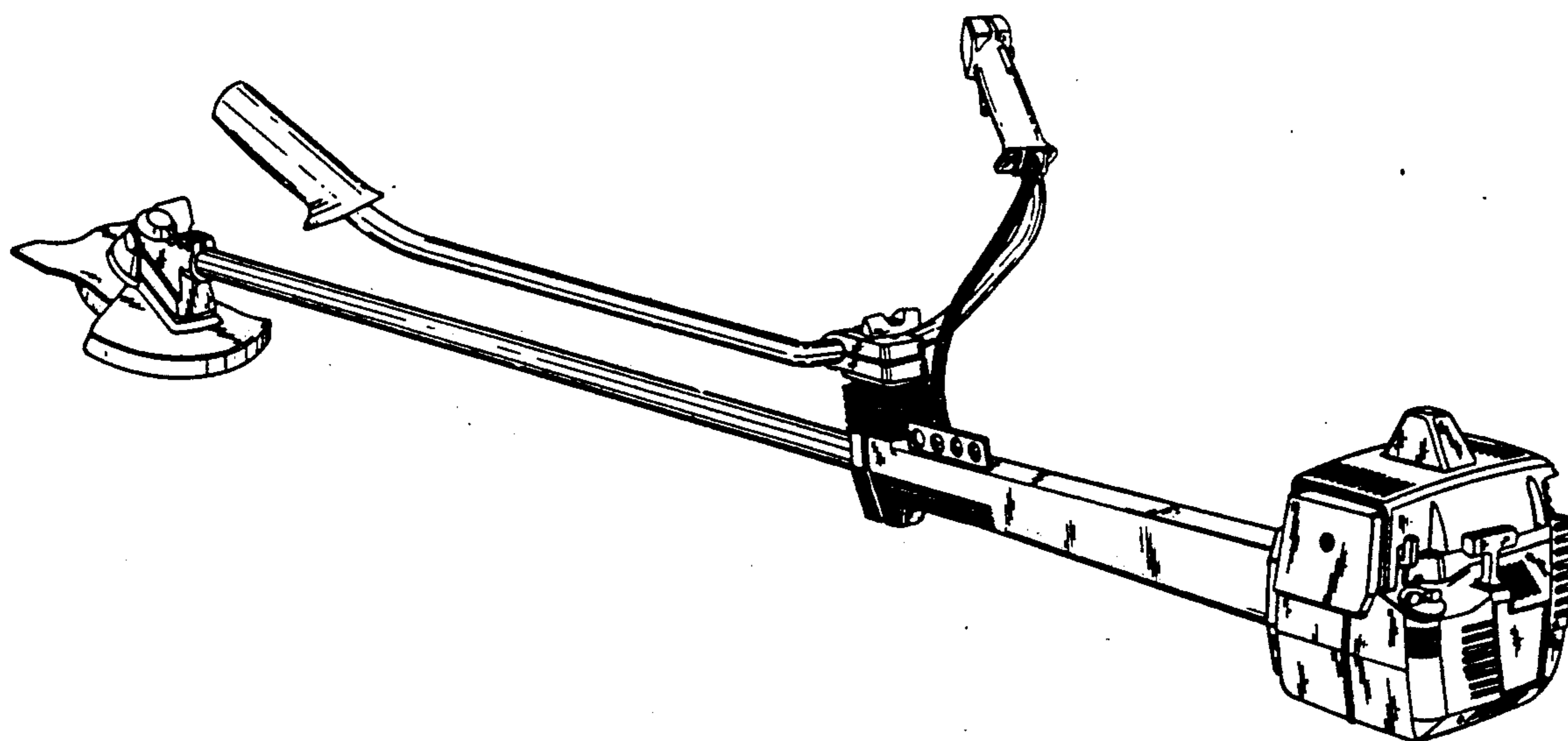
FIG. 3 is a top plan view thereof;

FIG. 4 is a bottom plan view thereof;

FIG. 5 is an opposite side elevational view thereof;

FIG. 6 is a rear elevational view thereof; and,

FIG. 7 is a front elevational view of thereof.



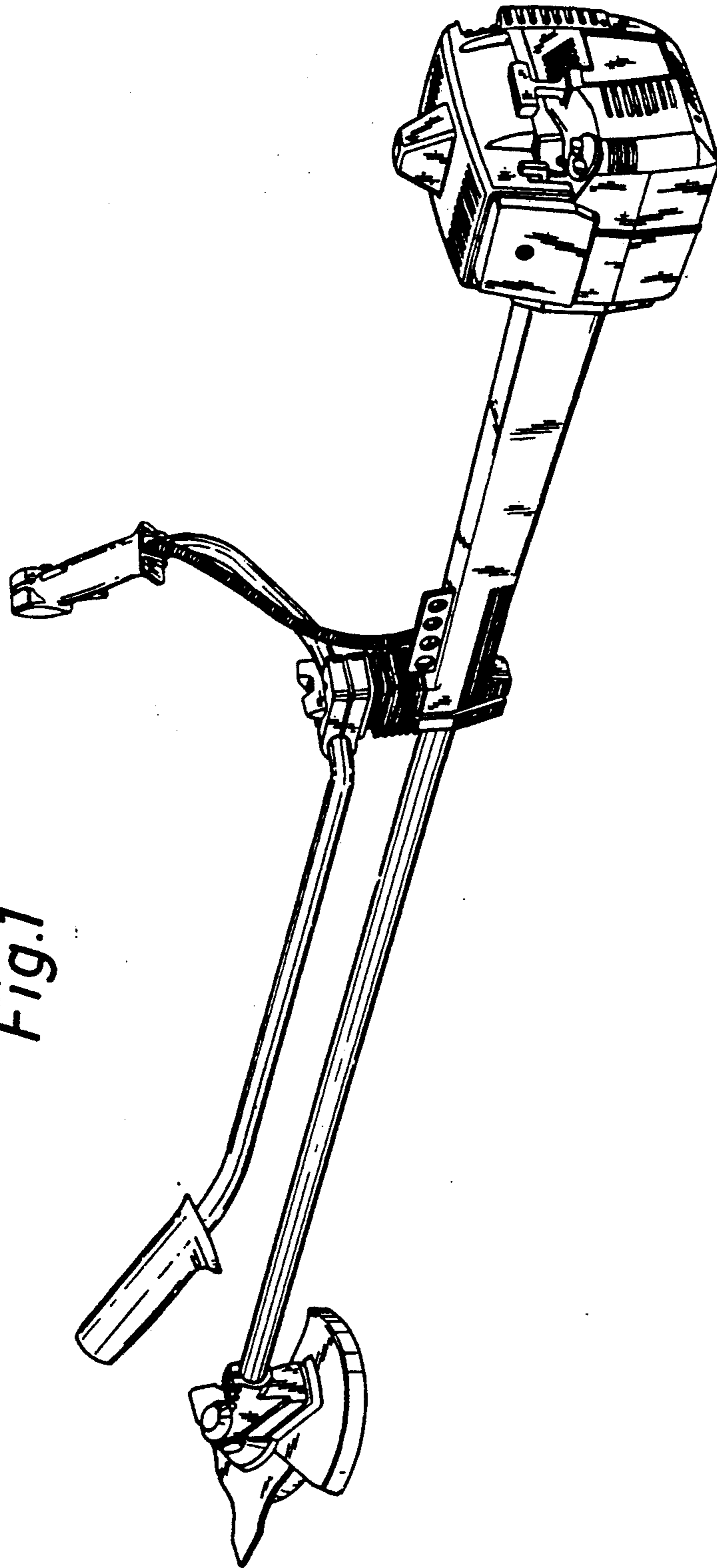


Fig. 1

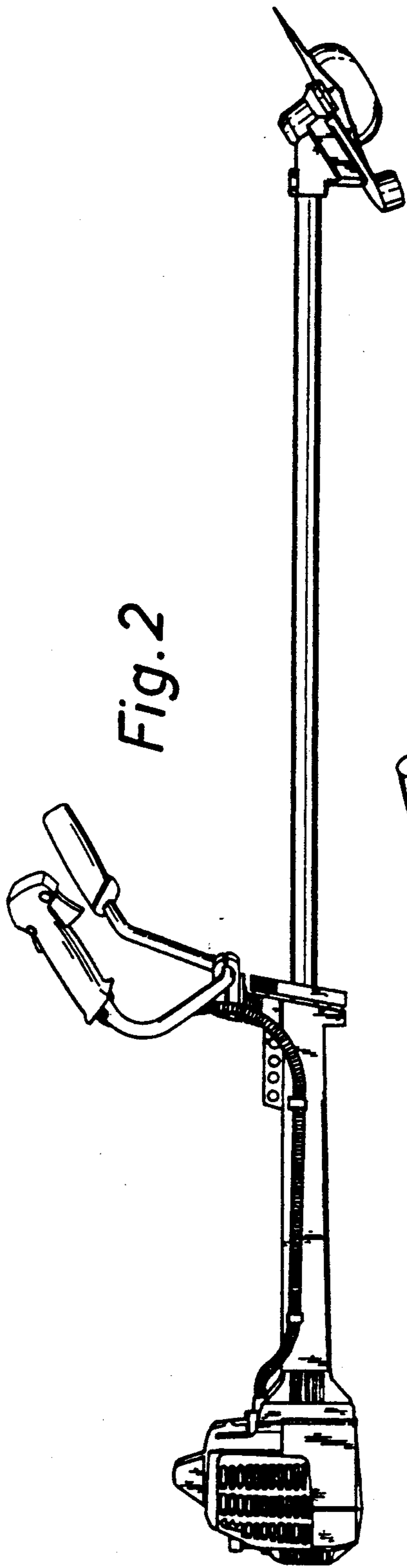


Fig. 2

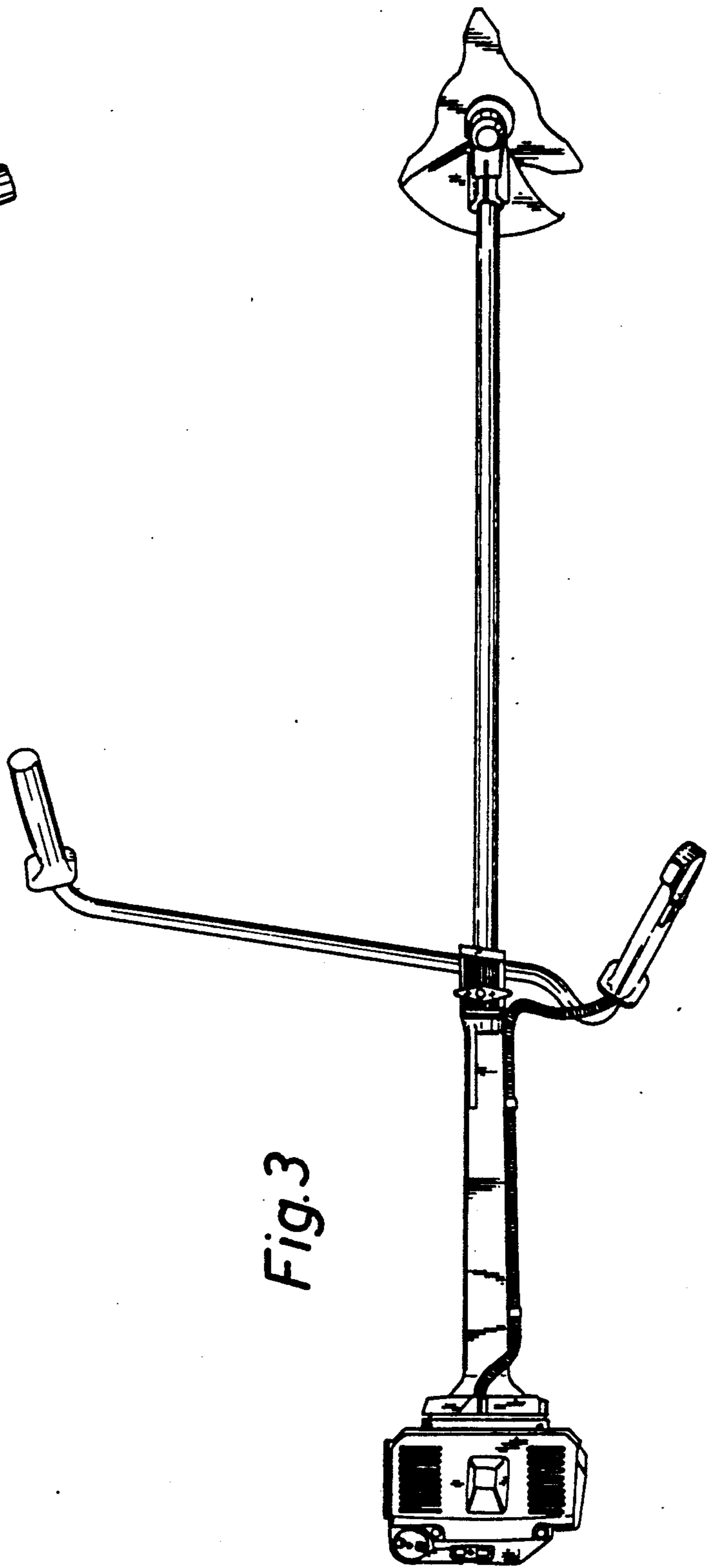


Fig. 3

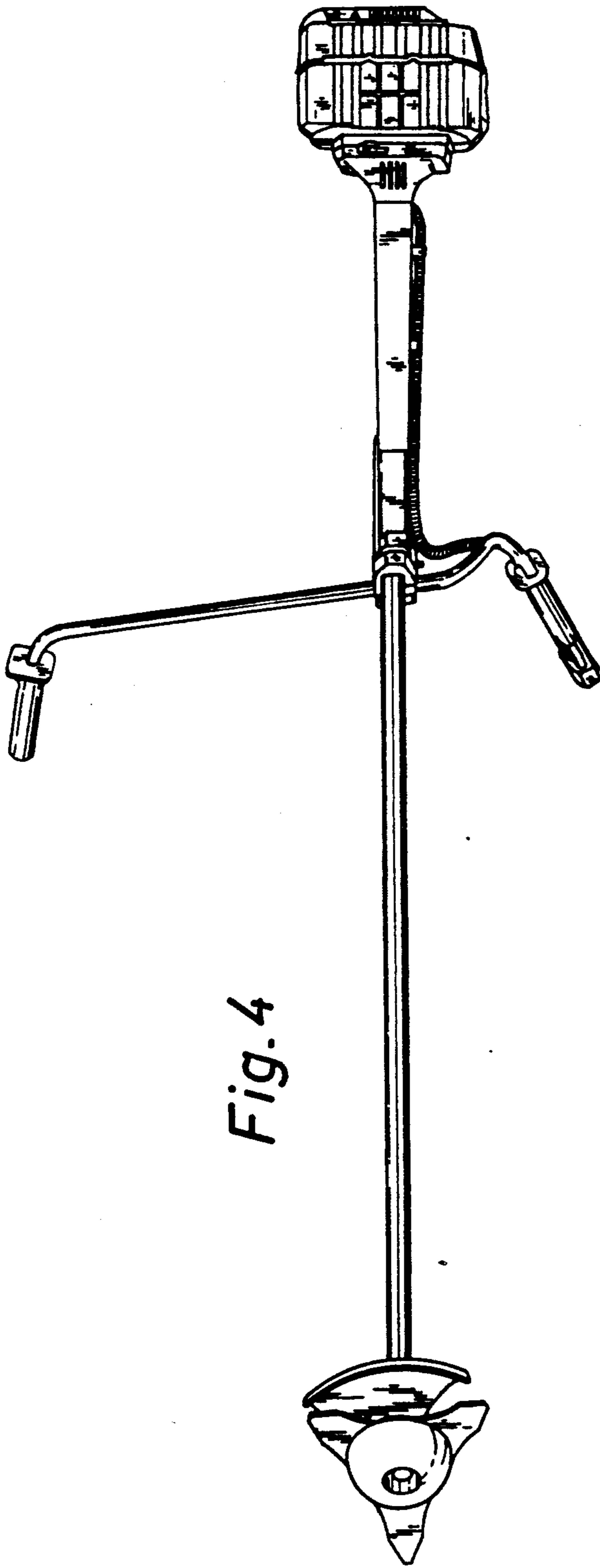


Fig. 4

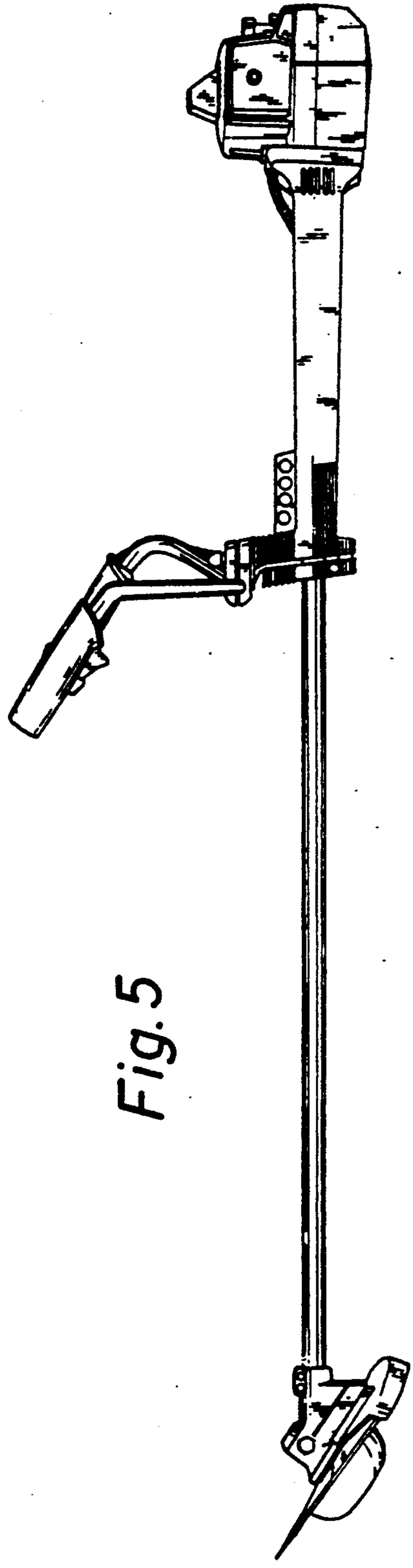
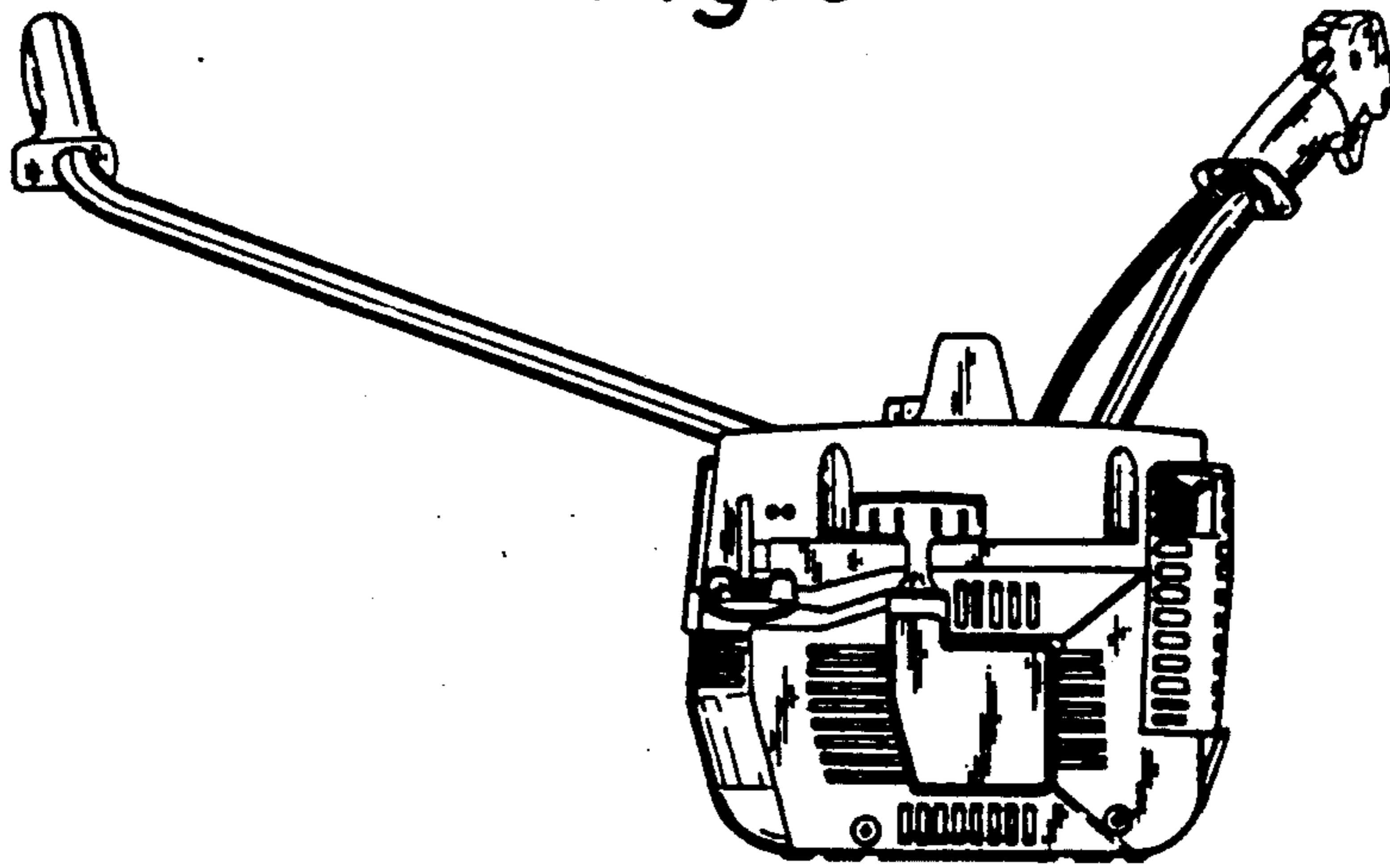


Fig. 5

*Fig. 6*



*Fig. 7*

