



US00D333951S

United States Patent [19]

[11] Patent Number: **Des. 333,951**

Courtney et al.

[45] Date of Patent: **** Mar. 16, 1993**

[54] **PORTABLE SPREADER**

[75] Inventors: **Steve P. Courtney**, Westerville;
James D. Amerine, Marysville, both
of Ohio

[73] Assignee: **The O.M. Scott & Sons Company**,
Marysville, Ohio

[**] Term: **14 Years**

[21] Appl. No.: **564,981**

[22] Filed: **Aug. 7, 1990**

[52] U.S. Cl. **D8/2**

[58] Field of Search **D8/2; 406/98, 102, 135;**
D32/17; 222/75, 324

[56] **References Cited**

U.S. PATENT DOCUMENTS

D. 175,627	9/1955	Martin	D8/2
D. 190,942	6/1961	Roberts	D8/2
D. 192,600	4/1962	Love, Jr.	D8/2

D. 192,601	4/1962	Love, Jr.	D8/2
D. 232,802	9/1974	Steinkamp et al.	D32/17
D. 327,823	7/1992	Demarest	D8/2
4,071,170	1/1978	Gunzel, Jr. et al.	406/98

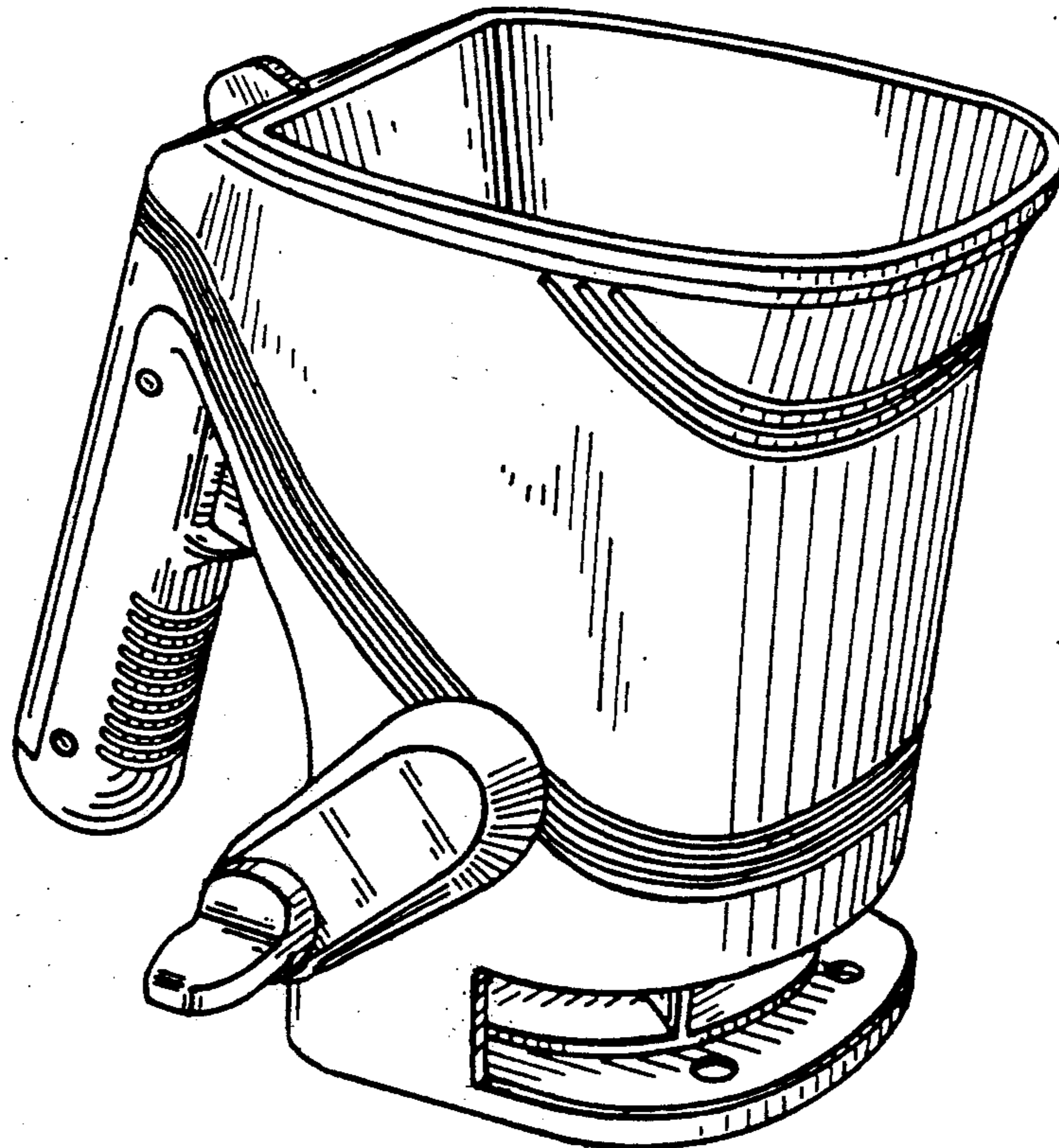
Primary Examiner—Wallace R. Burke
Assistant Examiner—H. Baynham
Attorney, Agent, or Firm—Jones, Day, Reavis & Pogue

[57] CLAIM

The ornamental design for a portable spreader, as shown and described.

DESCRIPTION

FIG. 1 is a perspective view of a spreader showing our new design;
FIG. 2 is a front elevational view thereof;
FIG. 3 is a top plan view thereof;
FIG. 4 is a left side elevational view thereof;
FIG. 5 is a right side elevational view thereof;
FIG. 6 is a rear elevational view thereof; and,
FIG. 7 is a bottom plan view thereof.



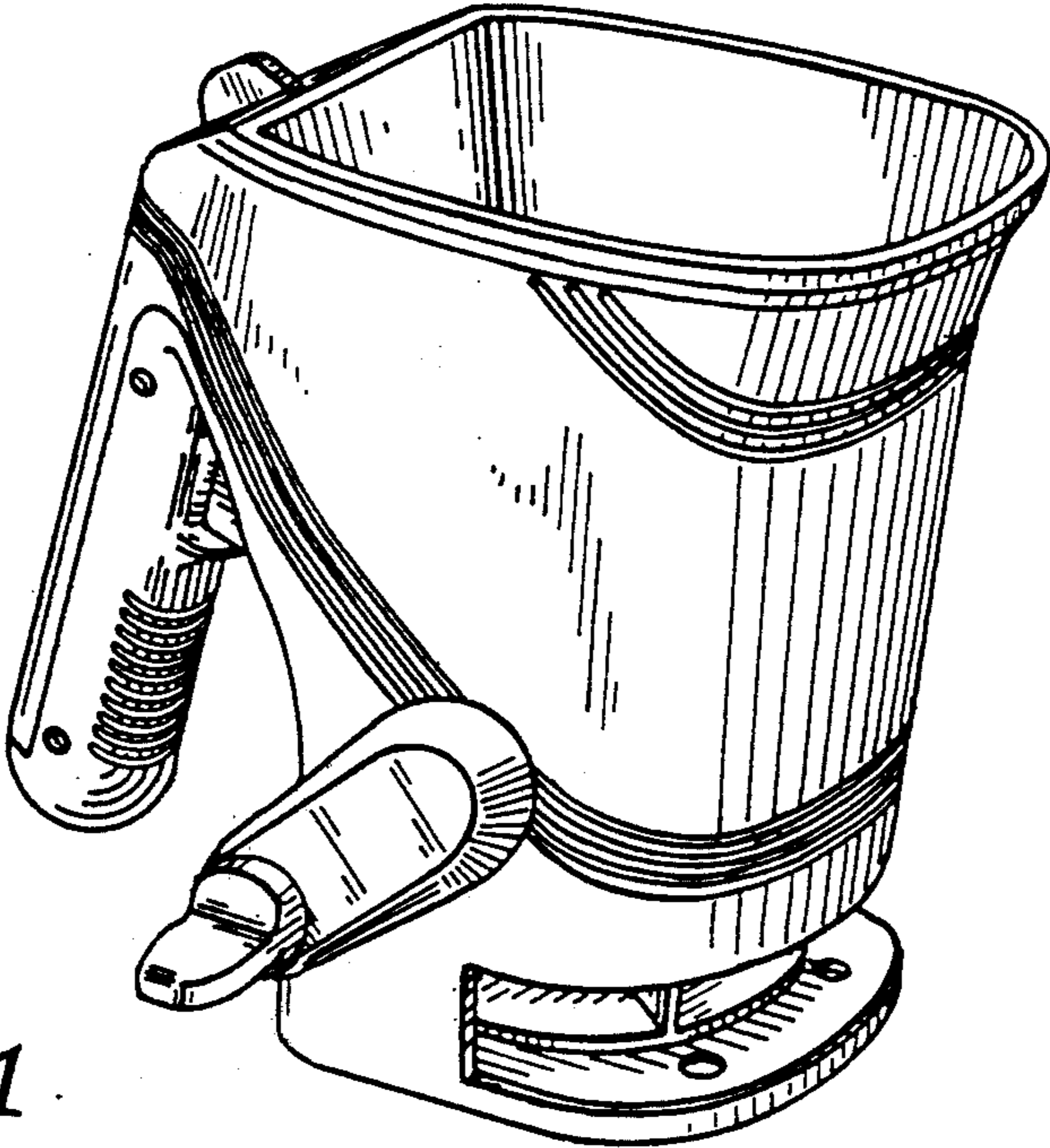


Fig. 1

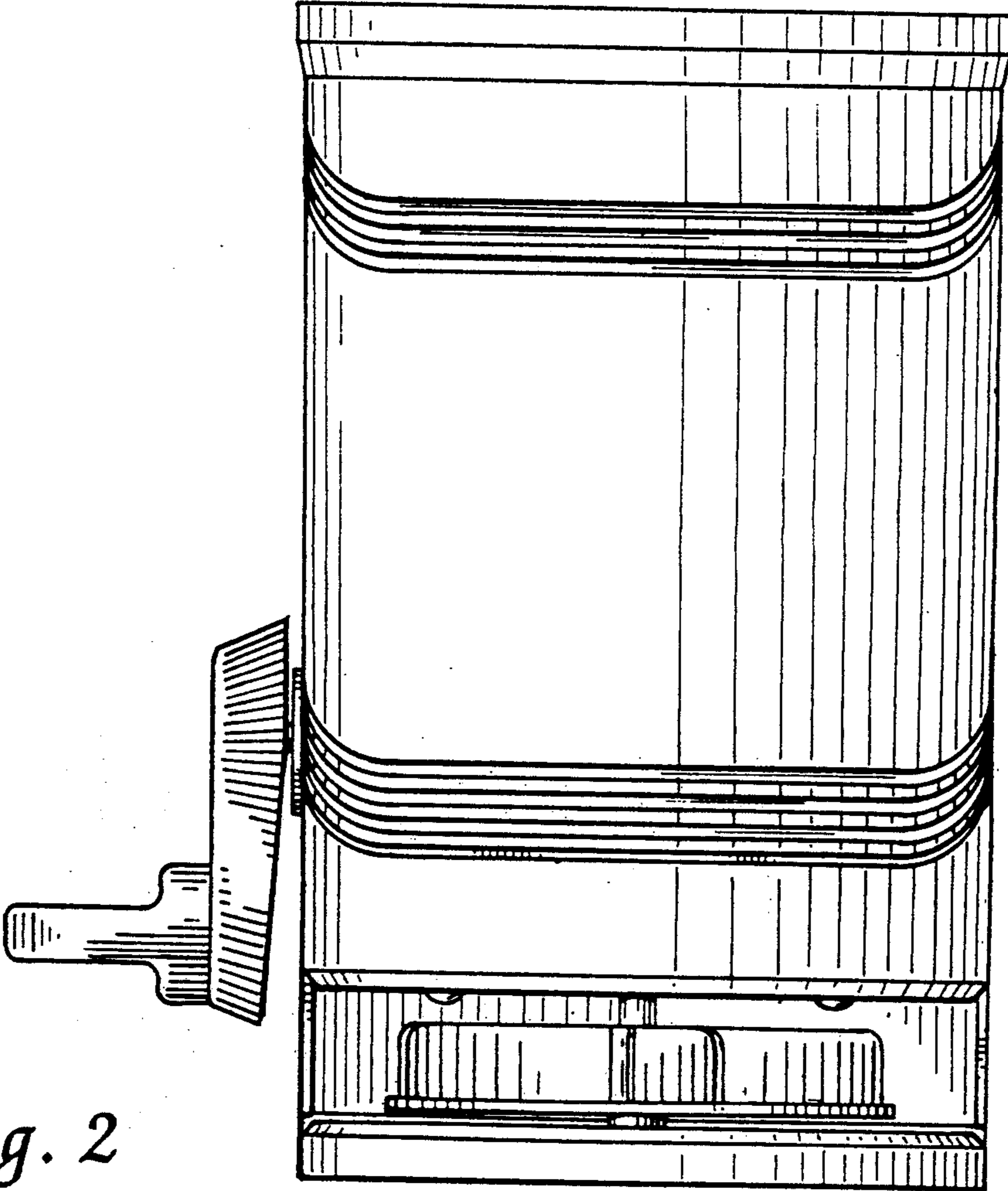


Fig. 2

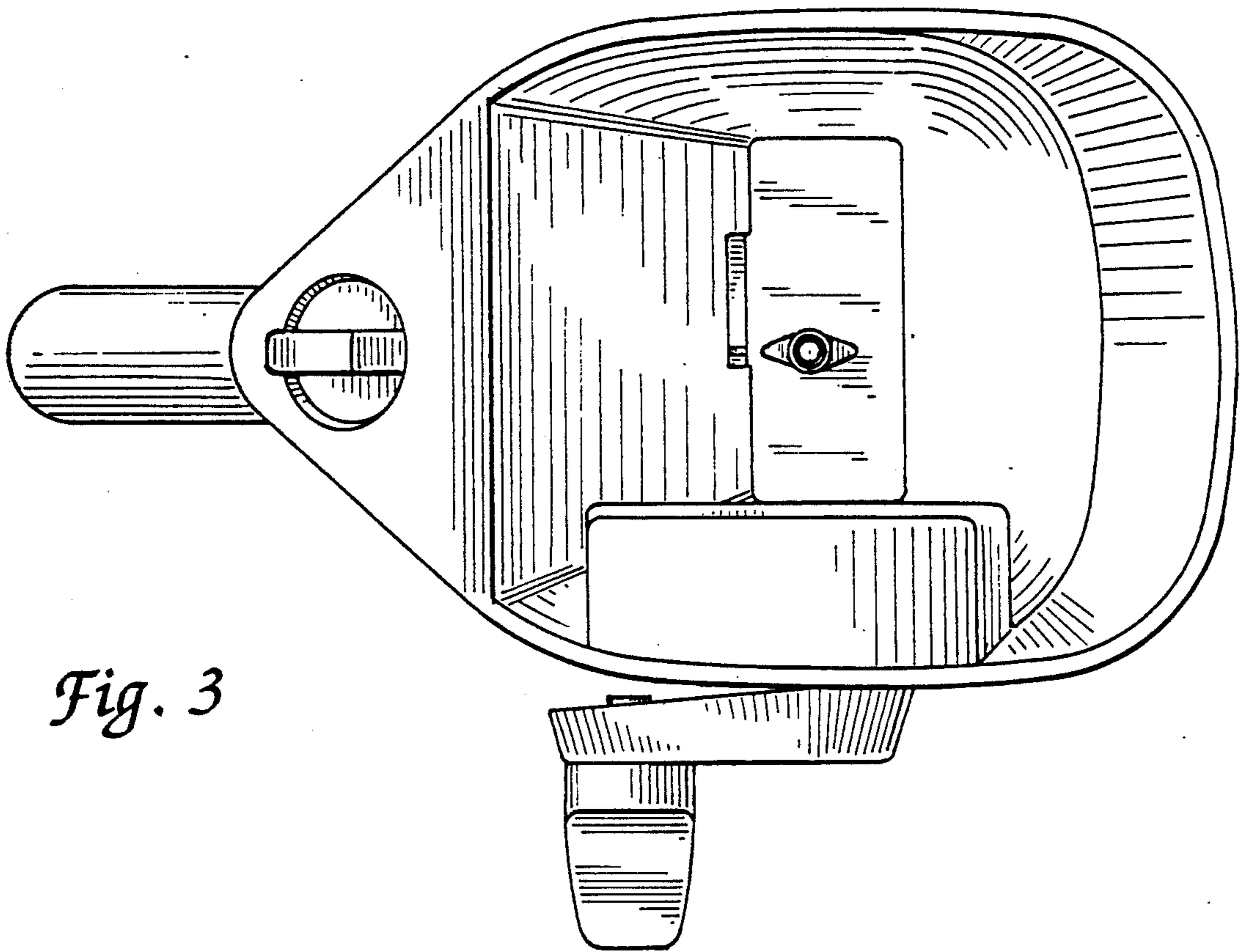


Fig. 3

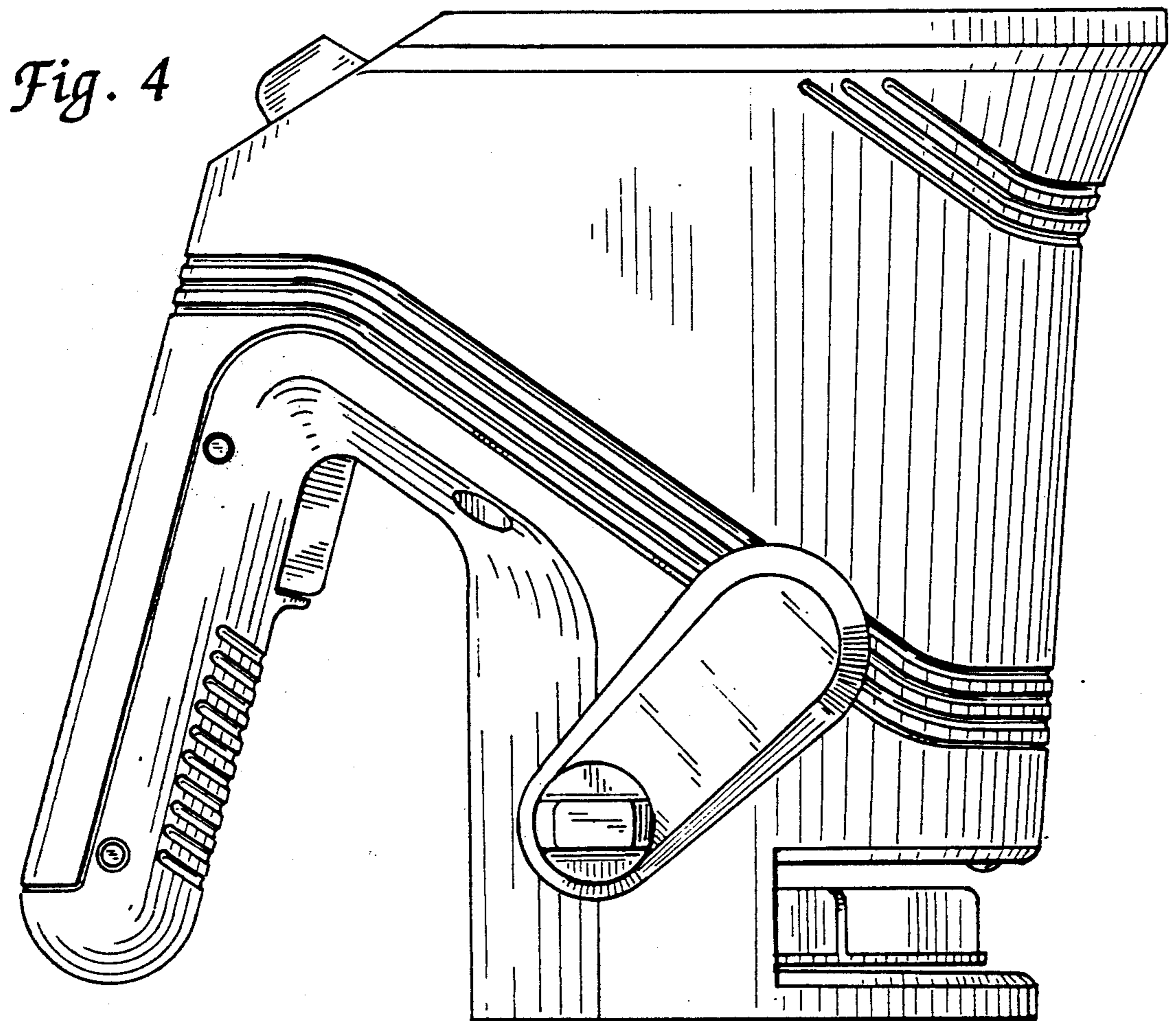


Fig. 4

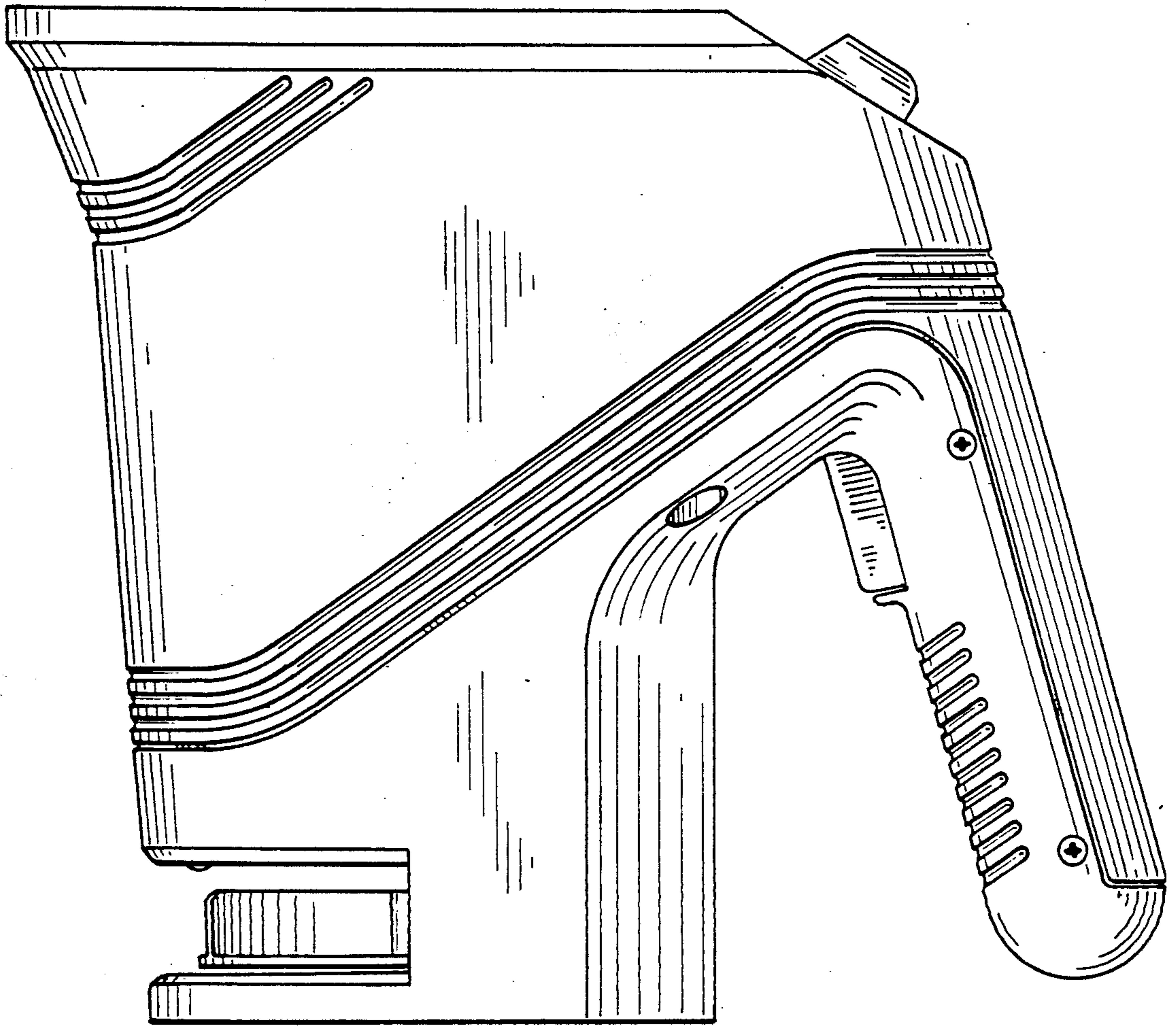


Fig. 5

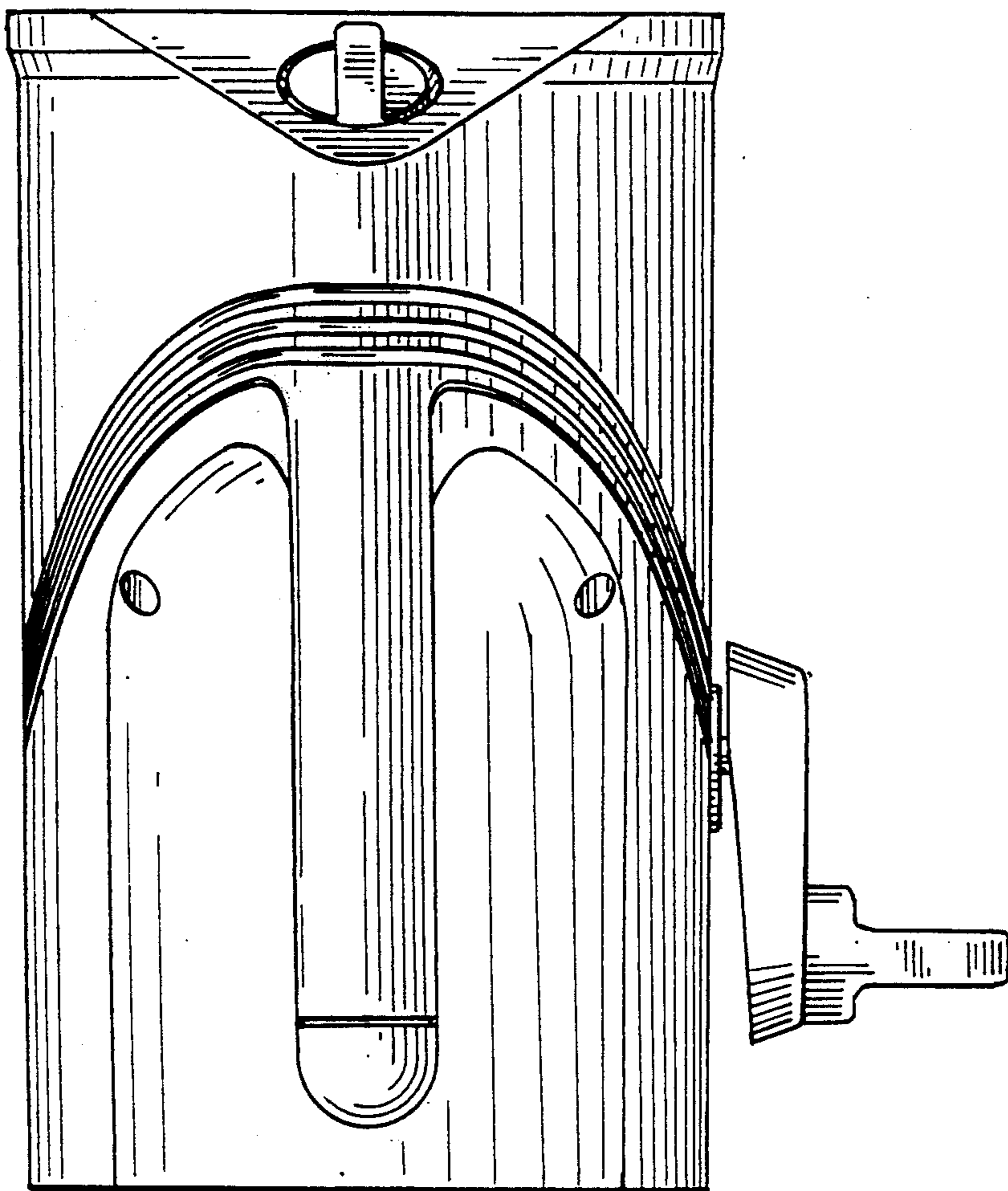


Fig. 6

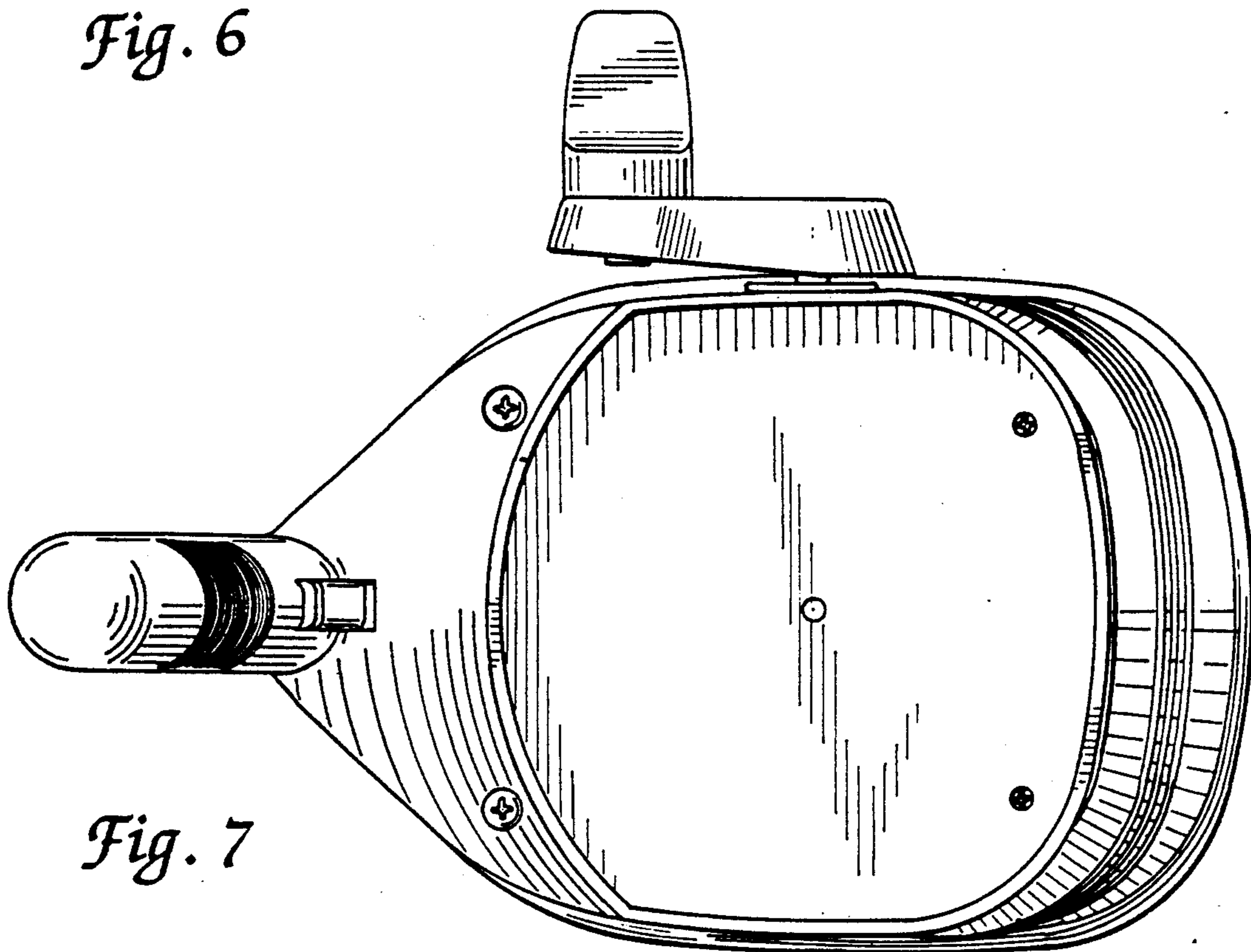


Fig. 7