



US00D333949S

# United States Patent [19]

[11] Patent Number: **Des. 333,949**

**Kiyokane**

[45] Date of Patent: **\*\* Mar. 16, 1993**

[54] CONFECTION MOLD

[56] References Cited

[75] Inventor: **Jerrilyn C. Kiyokane, Torrance, Calif.**

### U.S. PATENT DOCUMENTS

D. 227,335 6/1973 Di Lorenzo ..... D7/674 X  
D. 307,848 5/1990 Kiyokane ..... D7/676

[73] Assignee: **Namkung Promotions Inc., Costa Mesa, Calif.**

*Primary Examiner*—Terry A. Pfeffer  
*Attorney, Agent, or Firm*—James E. Brunton

[\*\*] Term: **14 Years**

[57] CLAIM

The ornamental design for a confection mold, as shown.

[21] Appl. No.: **636,954**

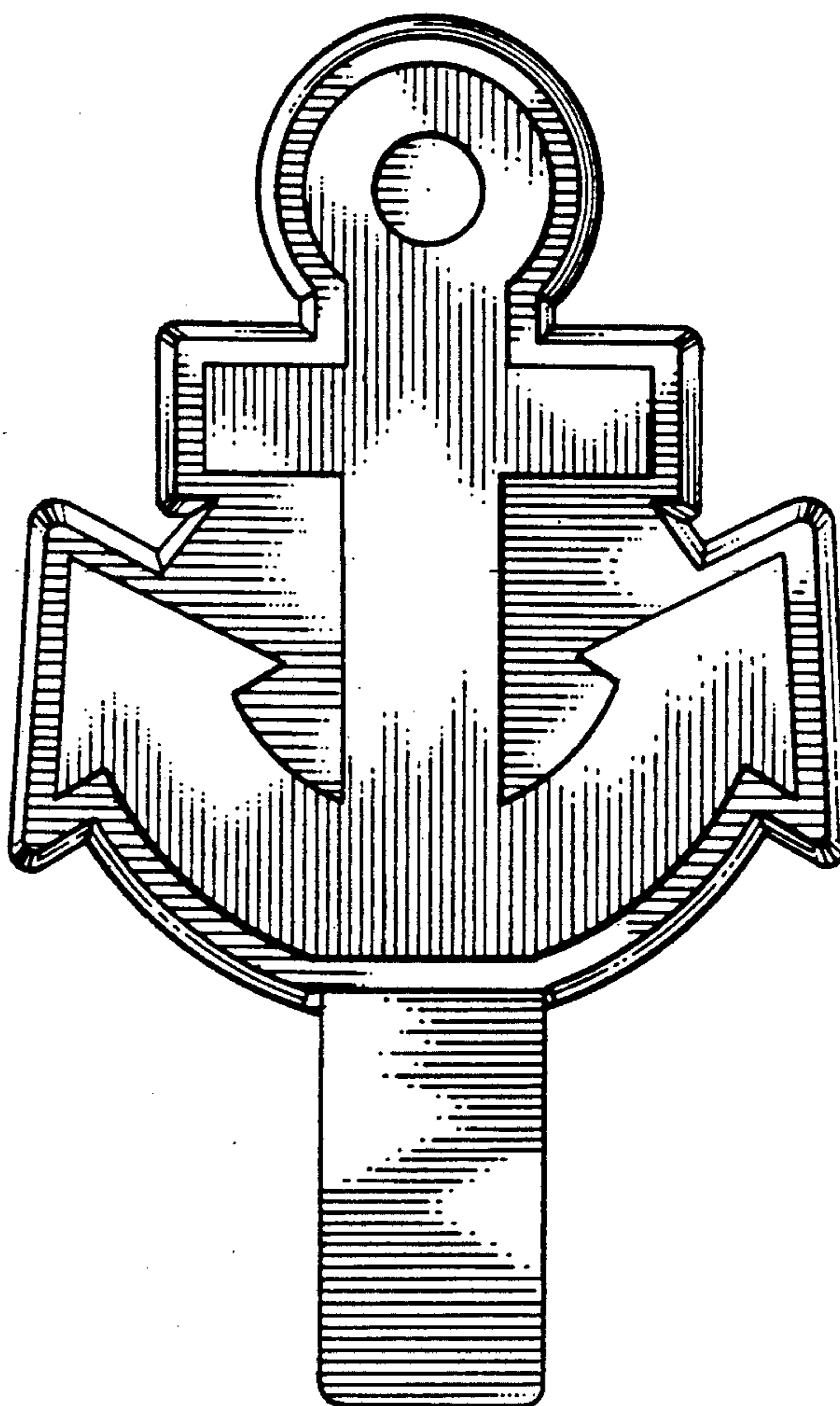
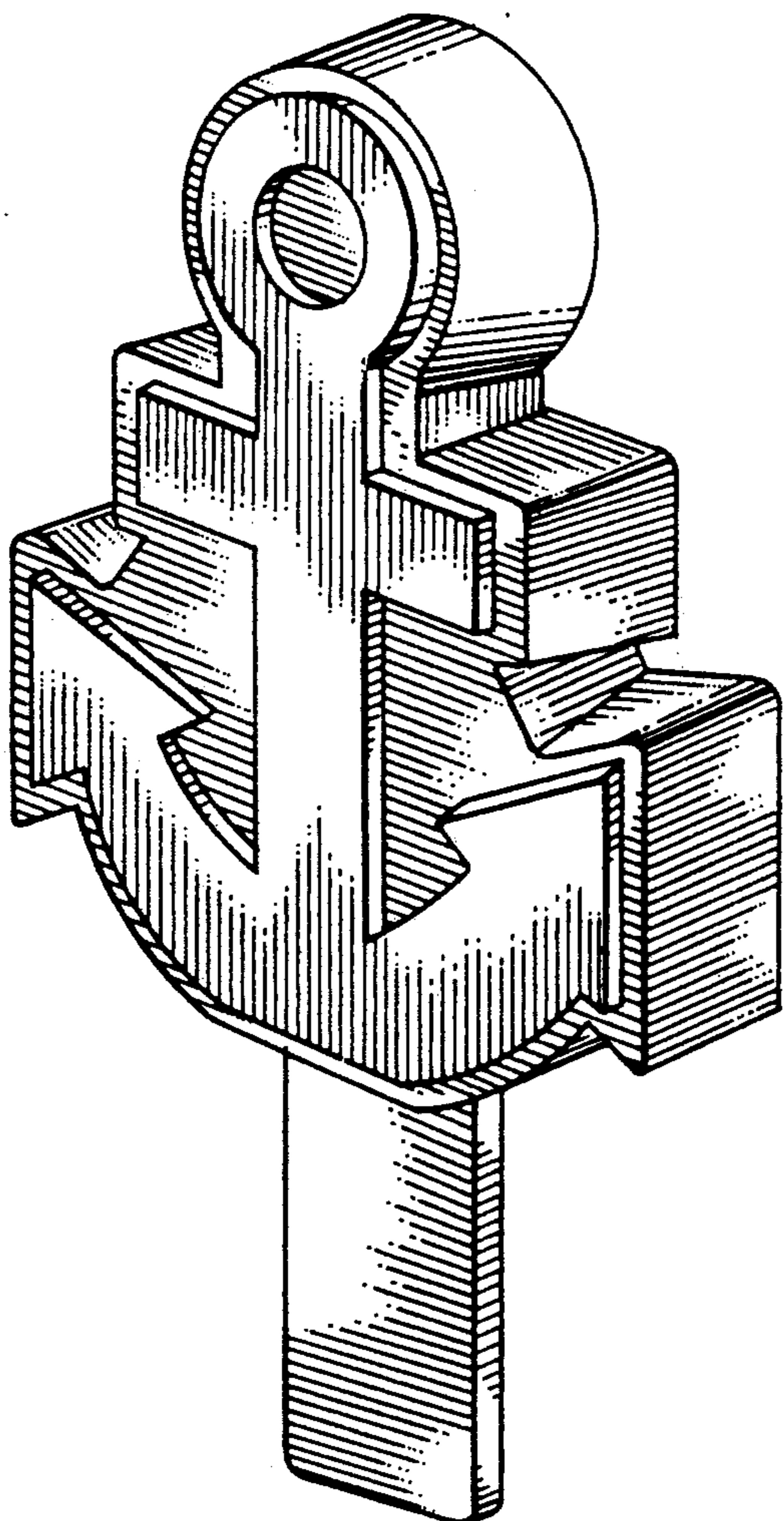
### DESCRIPTION

[22] Filed: **Jan. 2, 1991**

[52] U.S. Cl. .... **D7/676**

[58] Field of Search ..... **D7/672-677;**  
**D1/102-105; 249/55, 117, 127, 135; 425/126.2;**  
**426/104, 134, 421, 515**

FIG. 1 is a front elevational view of the confection mold showing my new design;  
FIG. 2 is a right side elevational view thereof;  
FIG. 3 is a top plan view thereof;  
FIG. 4 is a left side elevational view thereof;  
FIG. 5 is a bottom plan view thereof; and,  
FIG. 6 is a rear elevational view thereof.



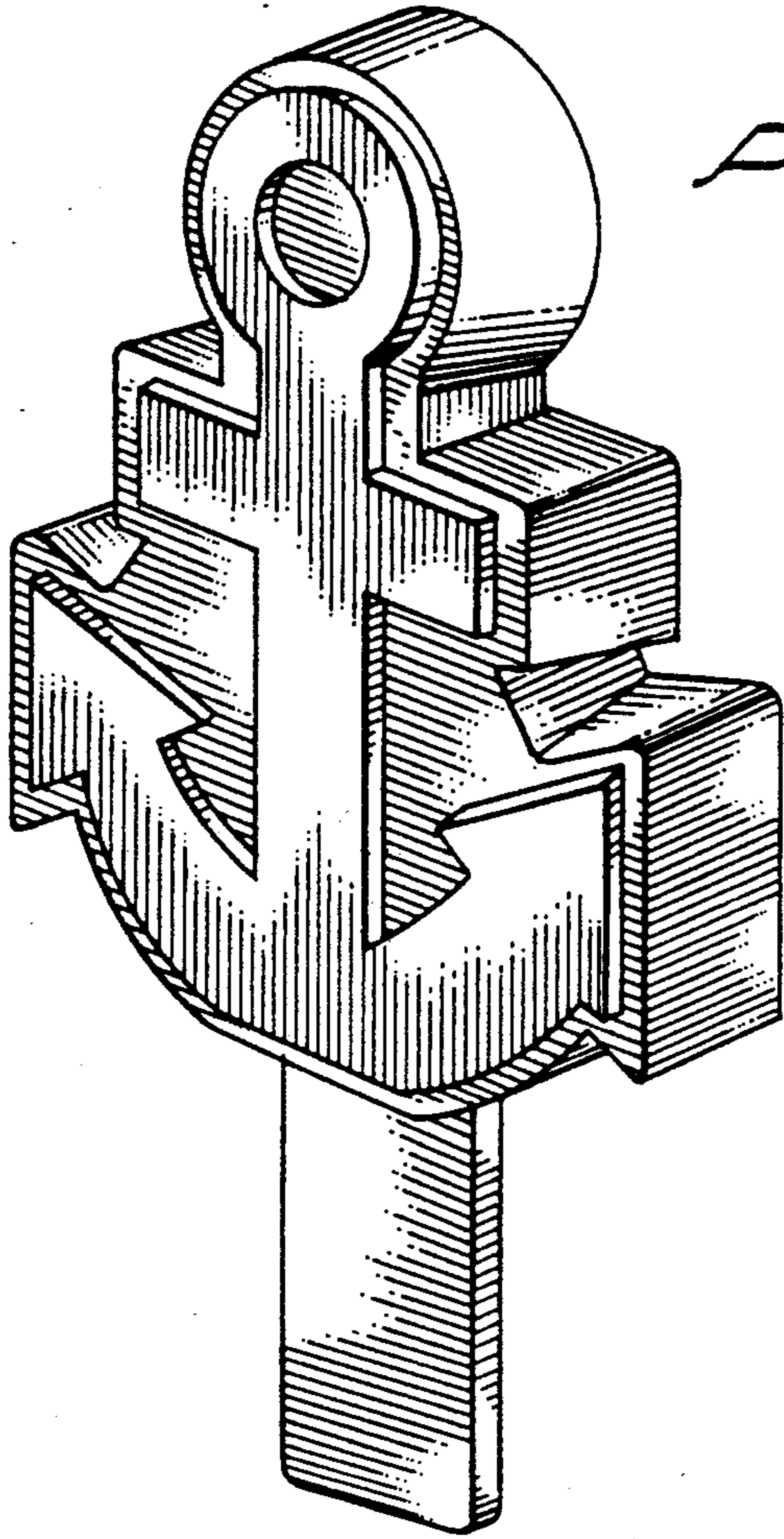


FIG. 1

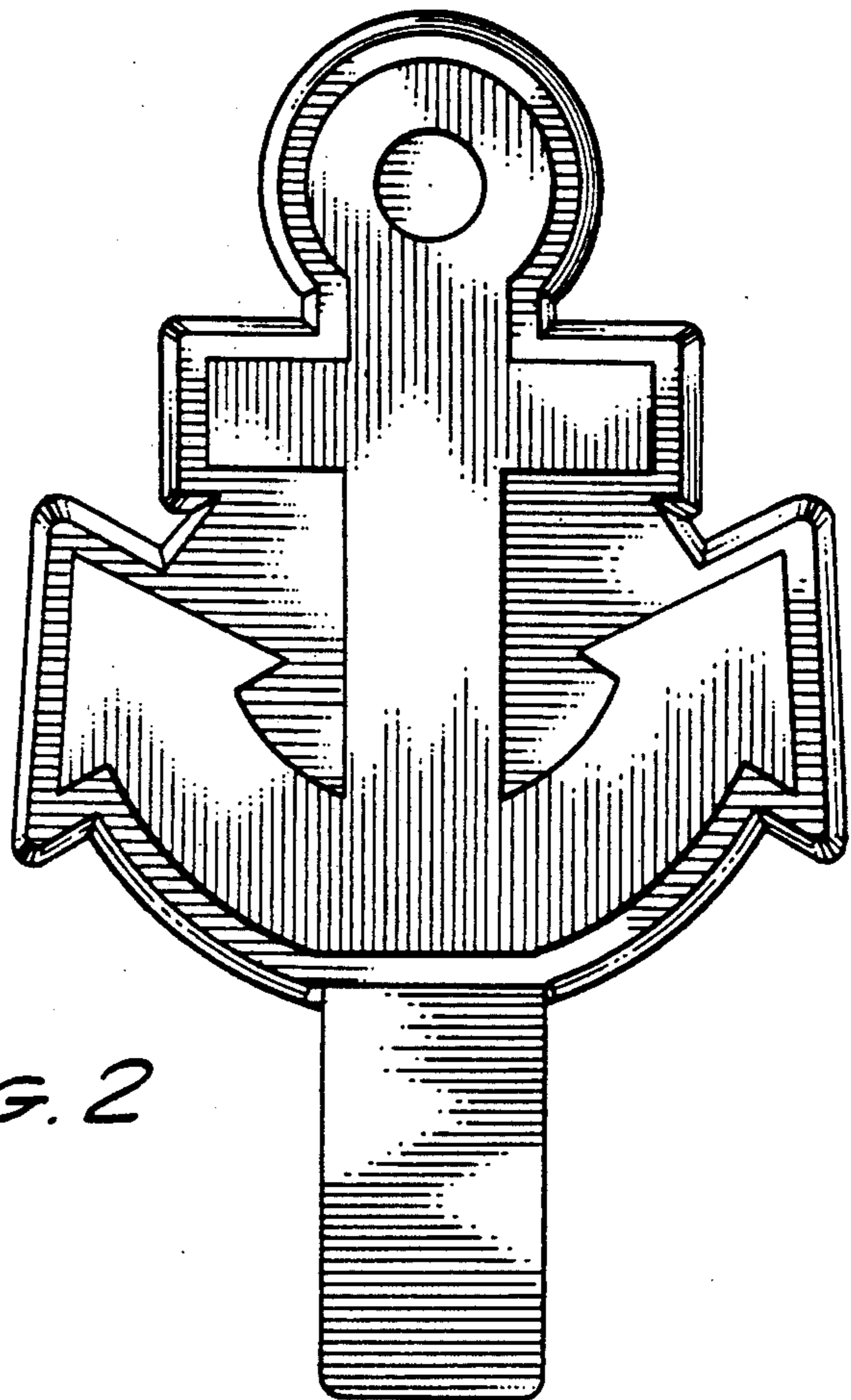
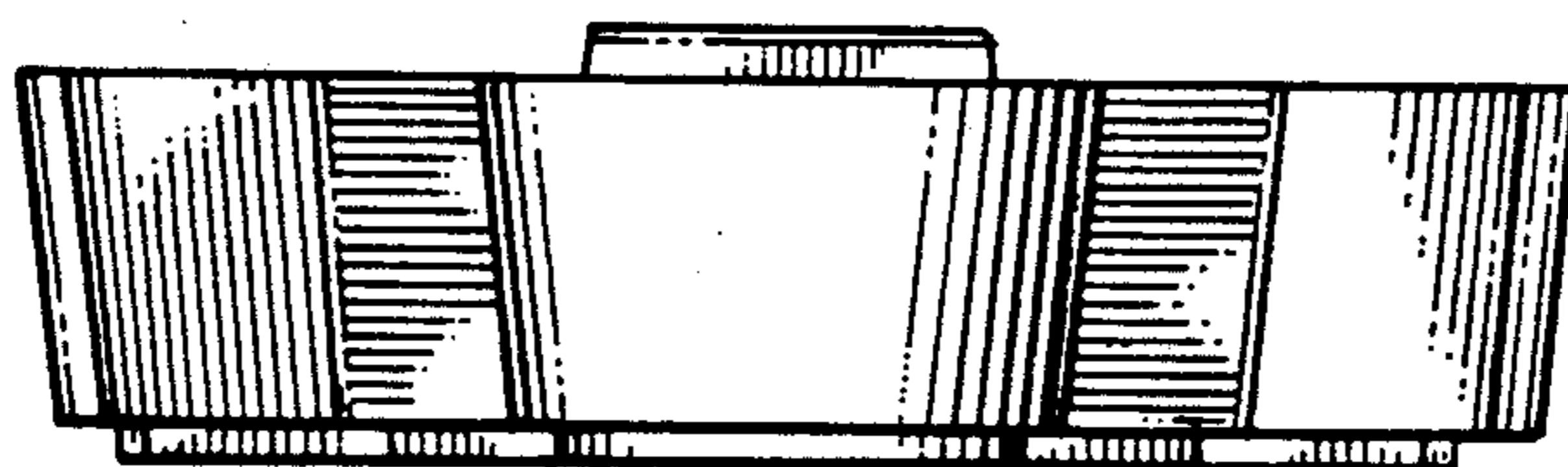


FIG. 2

FIG. 3





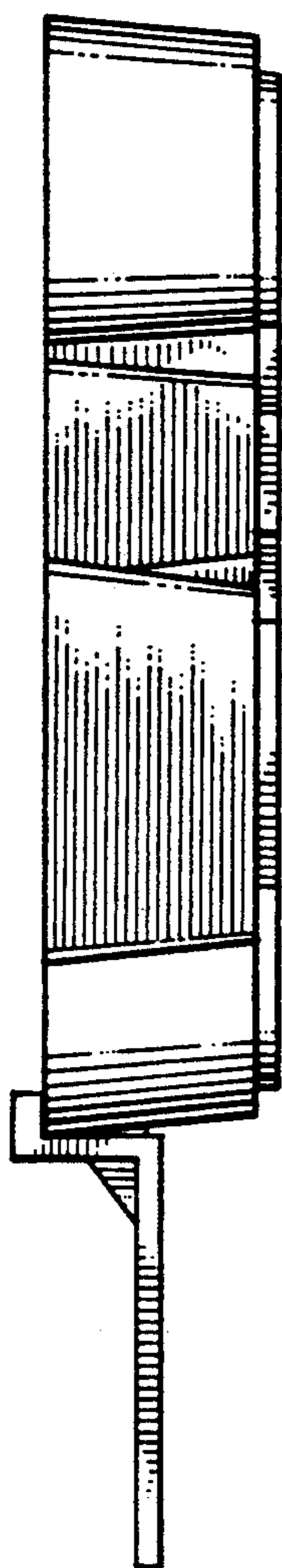


FIG. 4

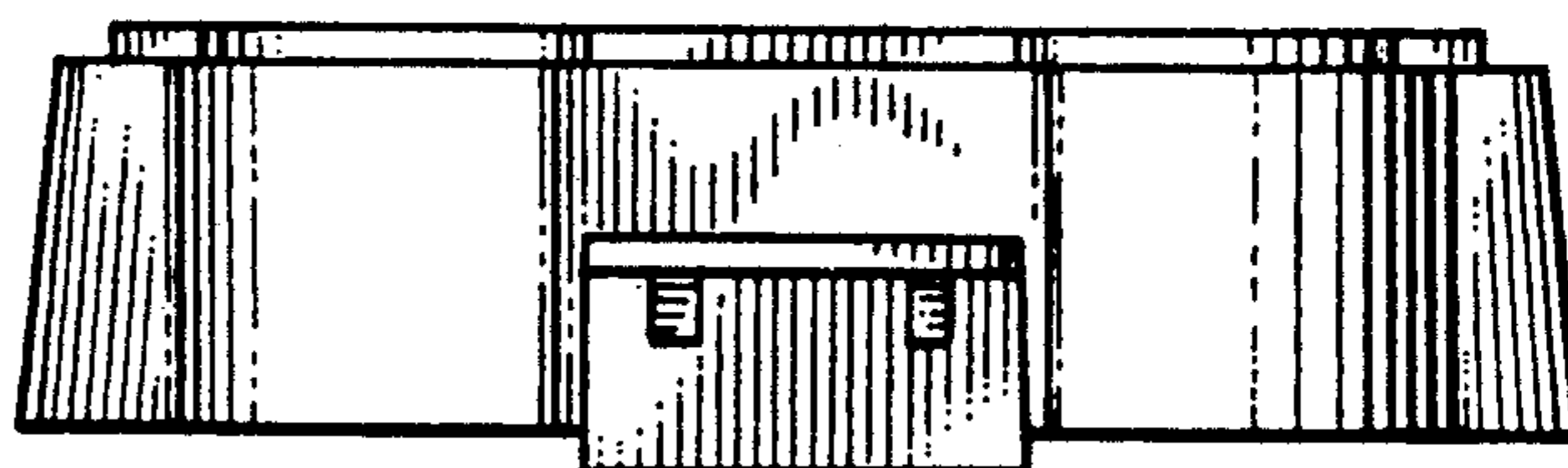


FIG. 5

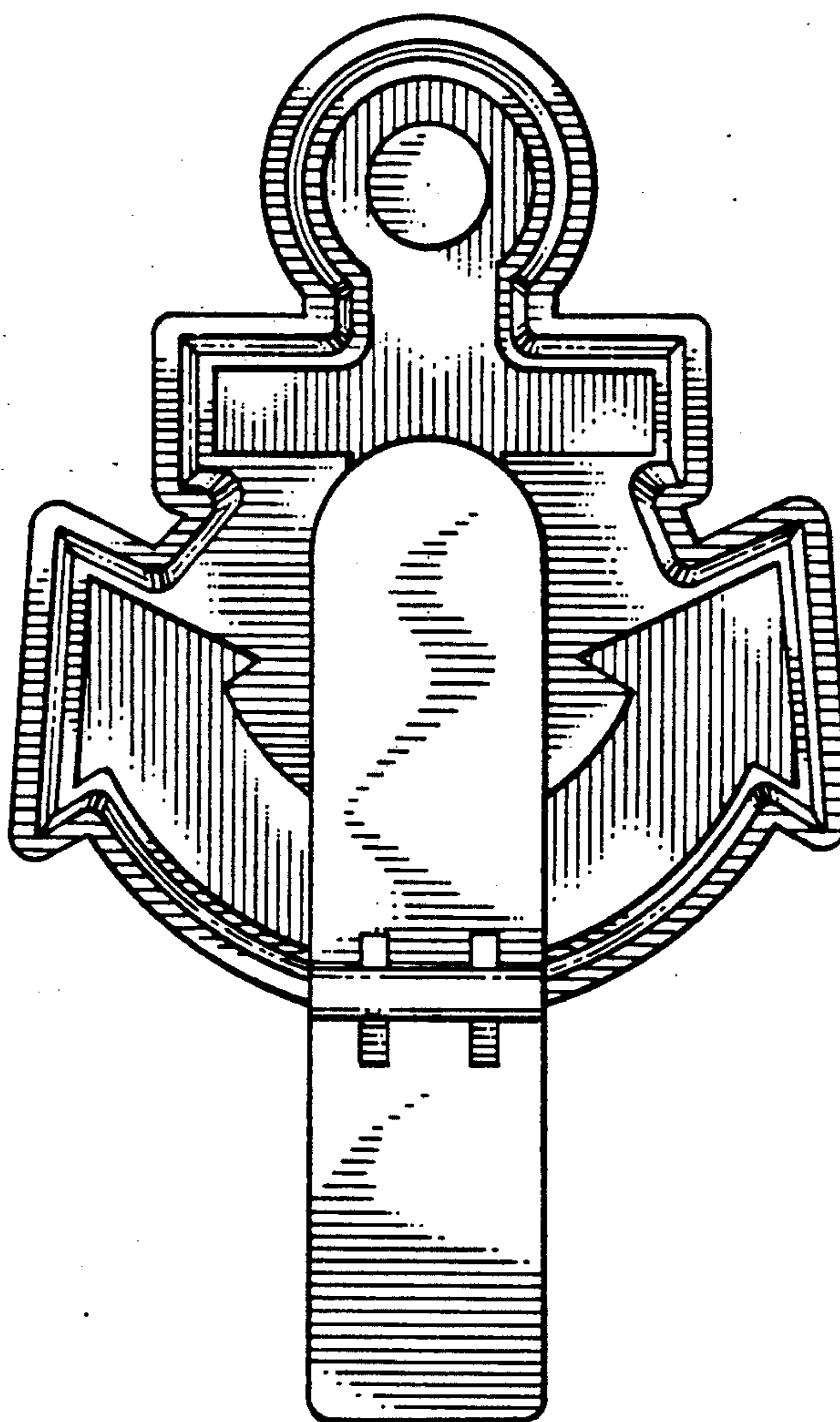


FIG. 6