



US00D333947S

United States Patent [19]

[11] Patent Number: **Des. 333,947**

Markee et al.

[45] Date of Patent: **** Mar. 16, 1993**

[54] JUICER

[76] Inventors: **Brent Markee; Harold Kawaguchi; Robert D. Lamson**, all of c/o Trillium Health Products, Inc., 655 S. Orcas, Suite 220, Seattle, Wash. 98108

[**] Term: **14 Years**

[21] Appl. No.: **812,212**

[22] Filed: **Dec. 20, 1991**

[52] U.S. Cl. **D7/665**

[58] Field of Search **D7/372-374, D7/665, 666; 99/495, 501-506**

[56] **References Cited**

U.S. PATENT DOCUMENTS

D. 309,083 7/1990 Kahlcke D7/665

OTHER PUBLICATIONS

Modern Plastics, Sep. 1954, p. 189, Juicer.

Primary Examiner—Terry A. Pfeffer
Attorney, Agent, or Firm—Hughes & Multer

[57] **CLAIM**

The ornamental design for a juicer, as shown.

DESCRIPTION

FIG. 1 is a perspective view of the juicer showing our new design;

FIG. 2 is a front elevational view thereof;

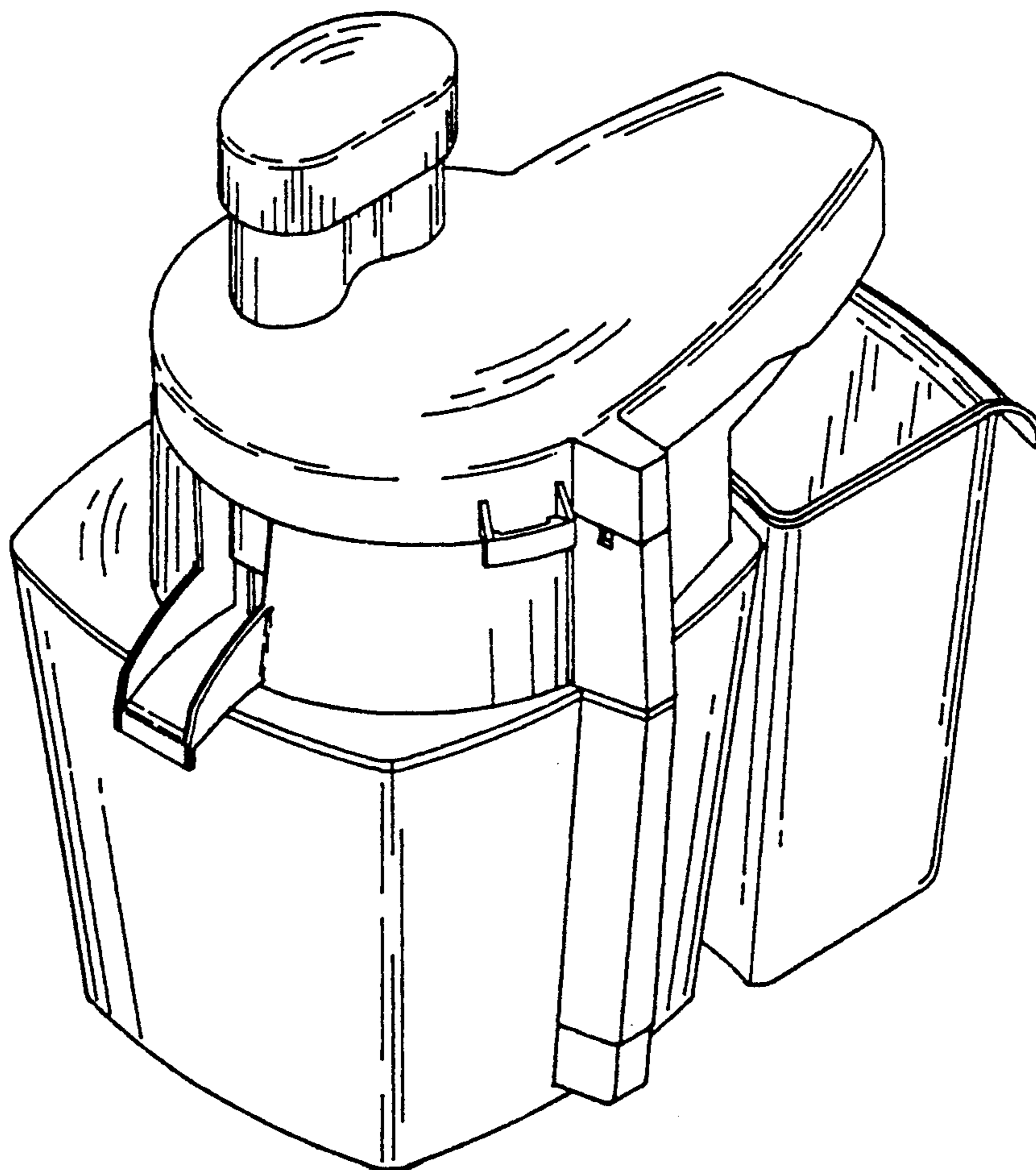
FIG. 3 is a rear elevational view thereof;

FIG. 4 is a left side elevational view thereof;

FIG. 5 is a right side elevational view thereof;

FIG. 6 is a top plan view thereof; and,

FIG. 7 is a bottom plan view thereof.



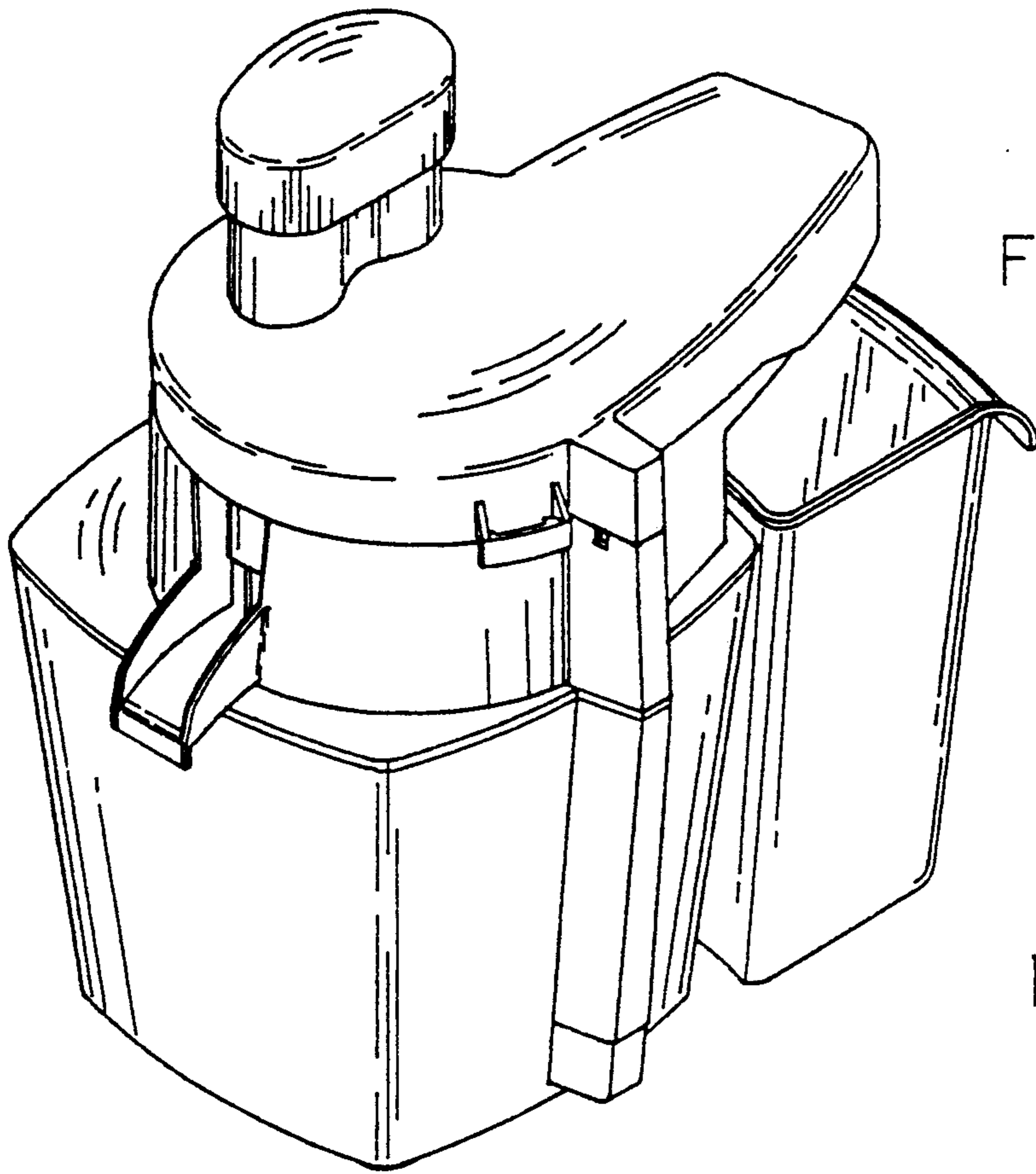


FIG. 1

FIG. 3

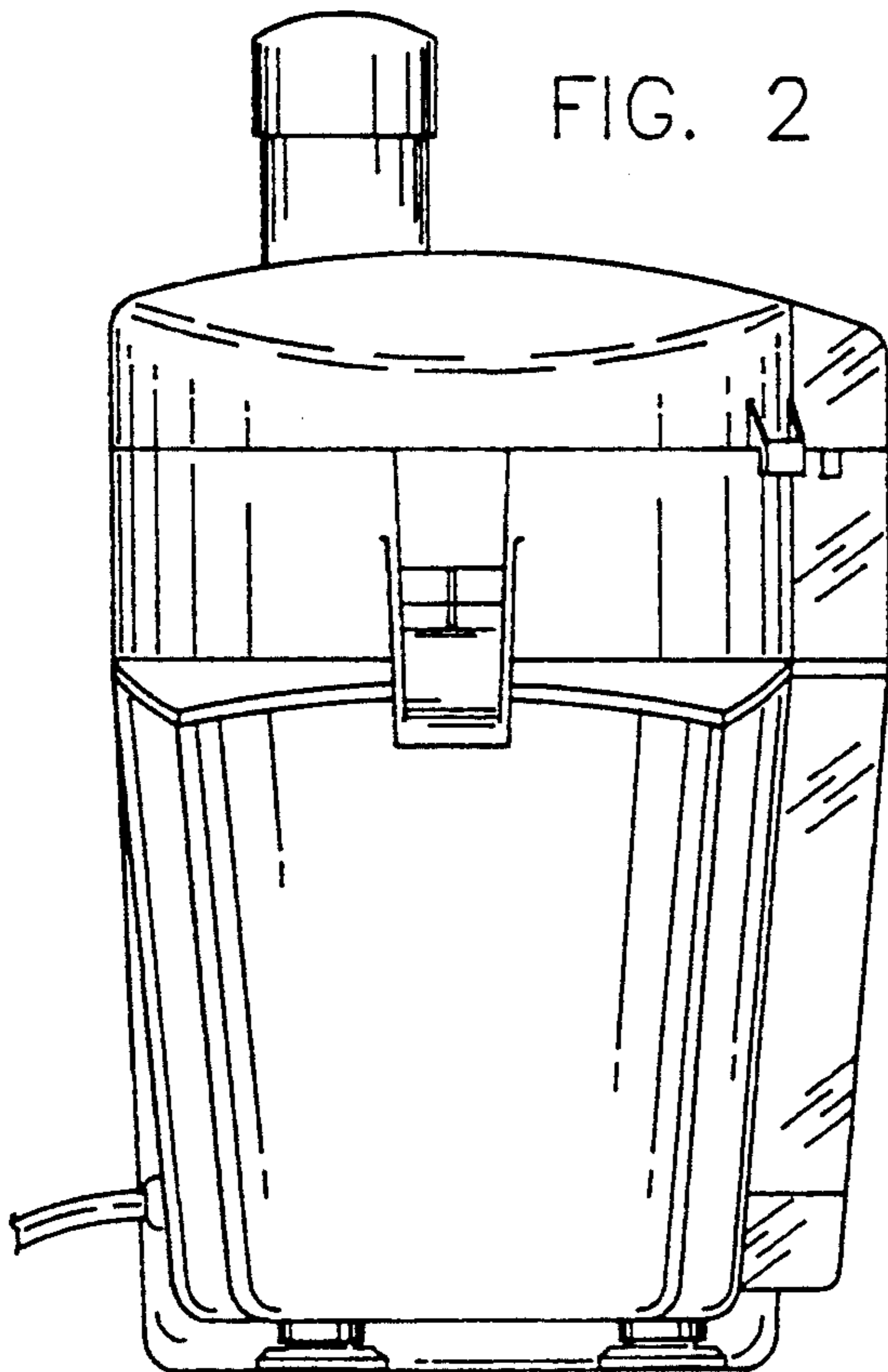


FIG. 2

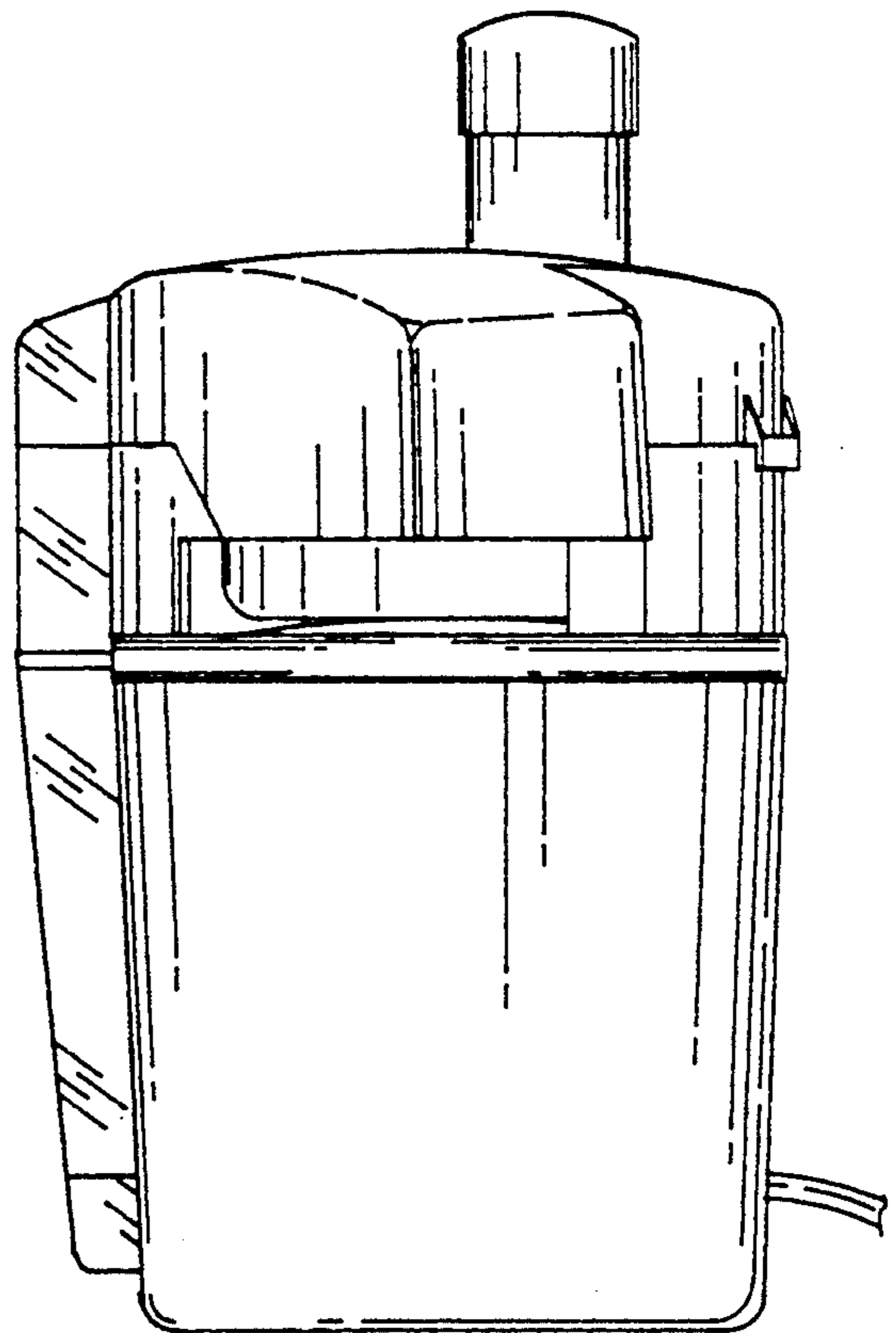


FIG. 4

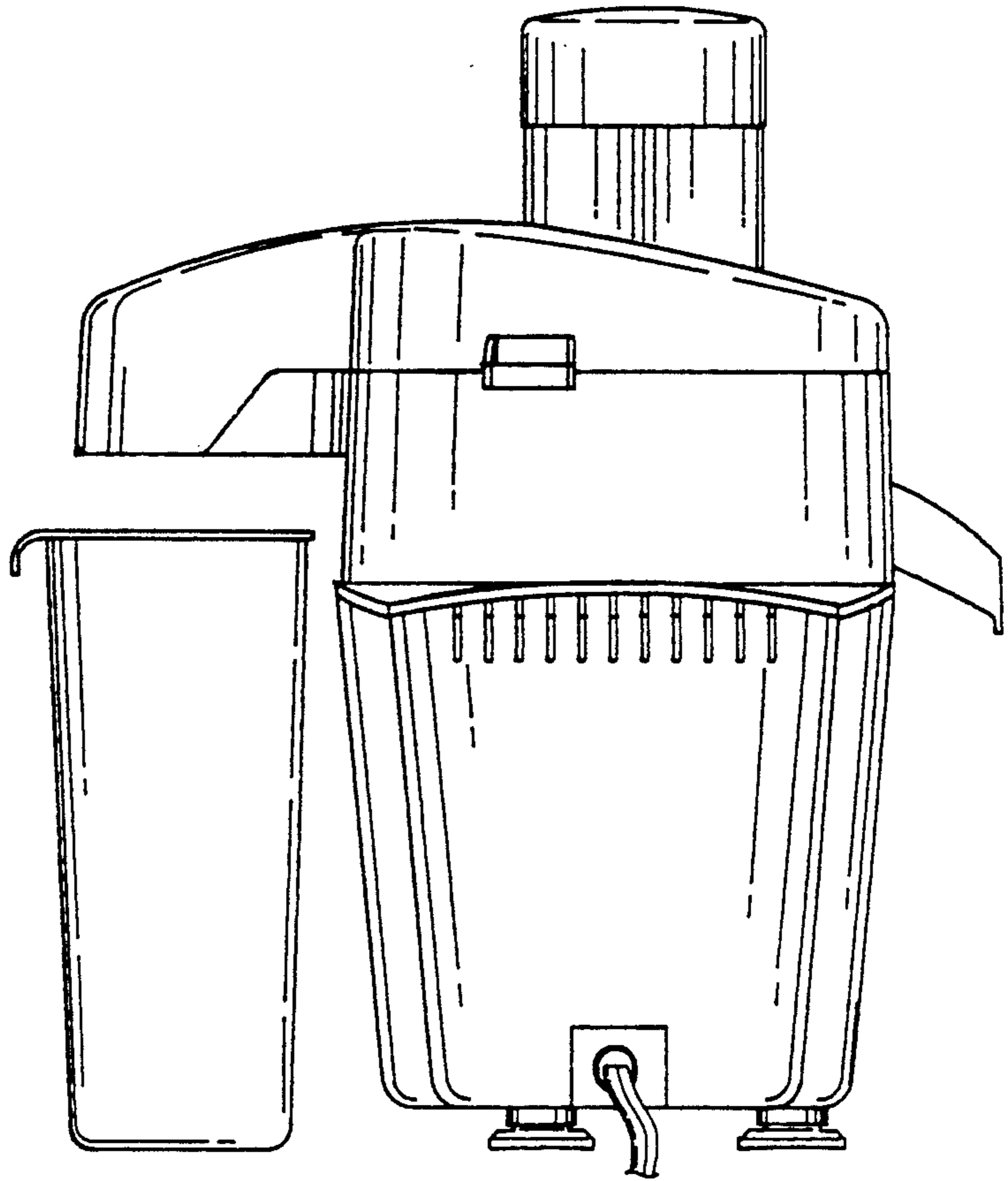
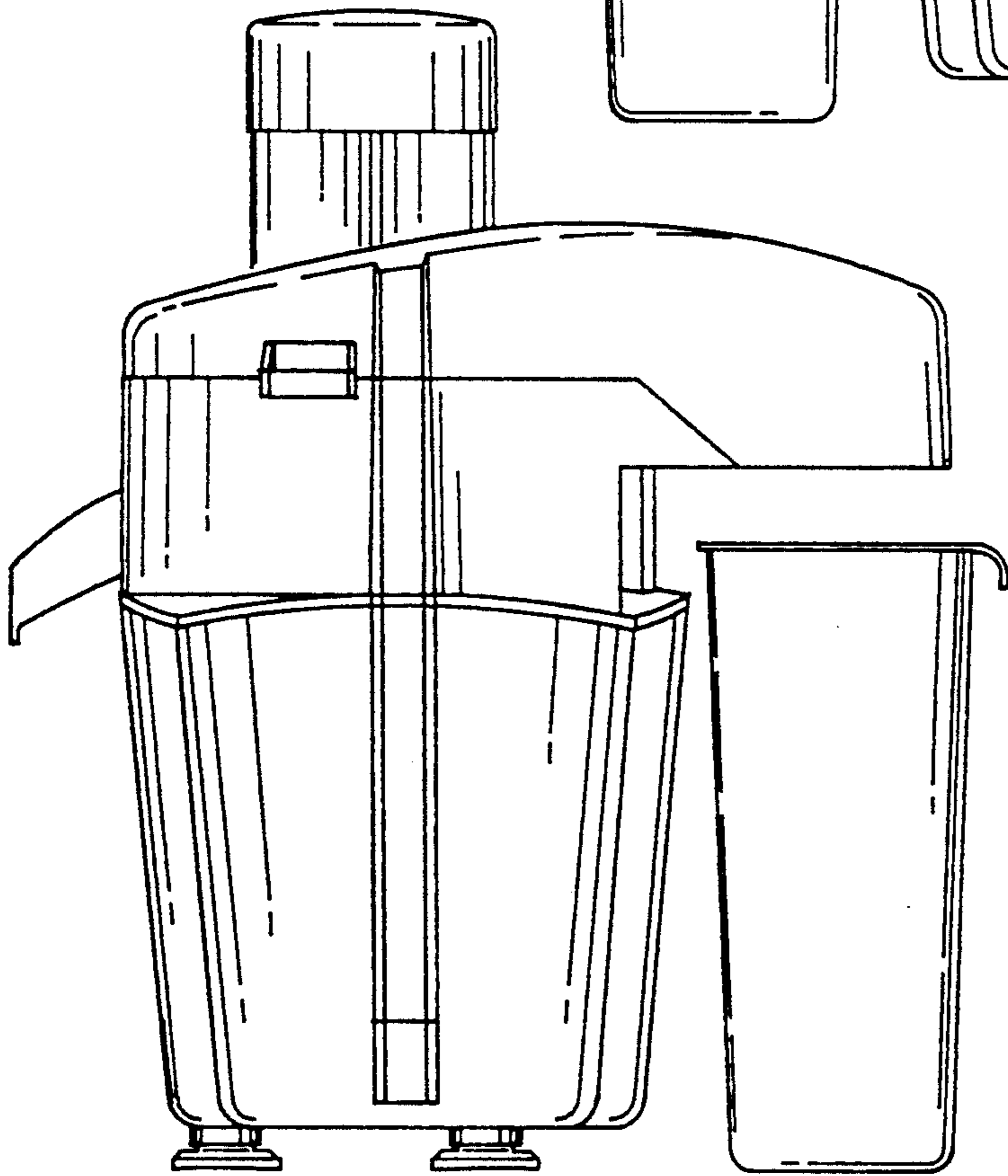


FIG. 5



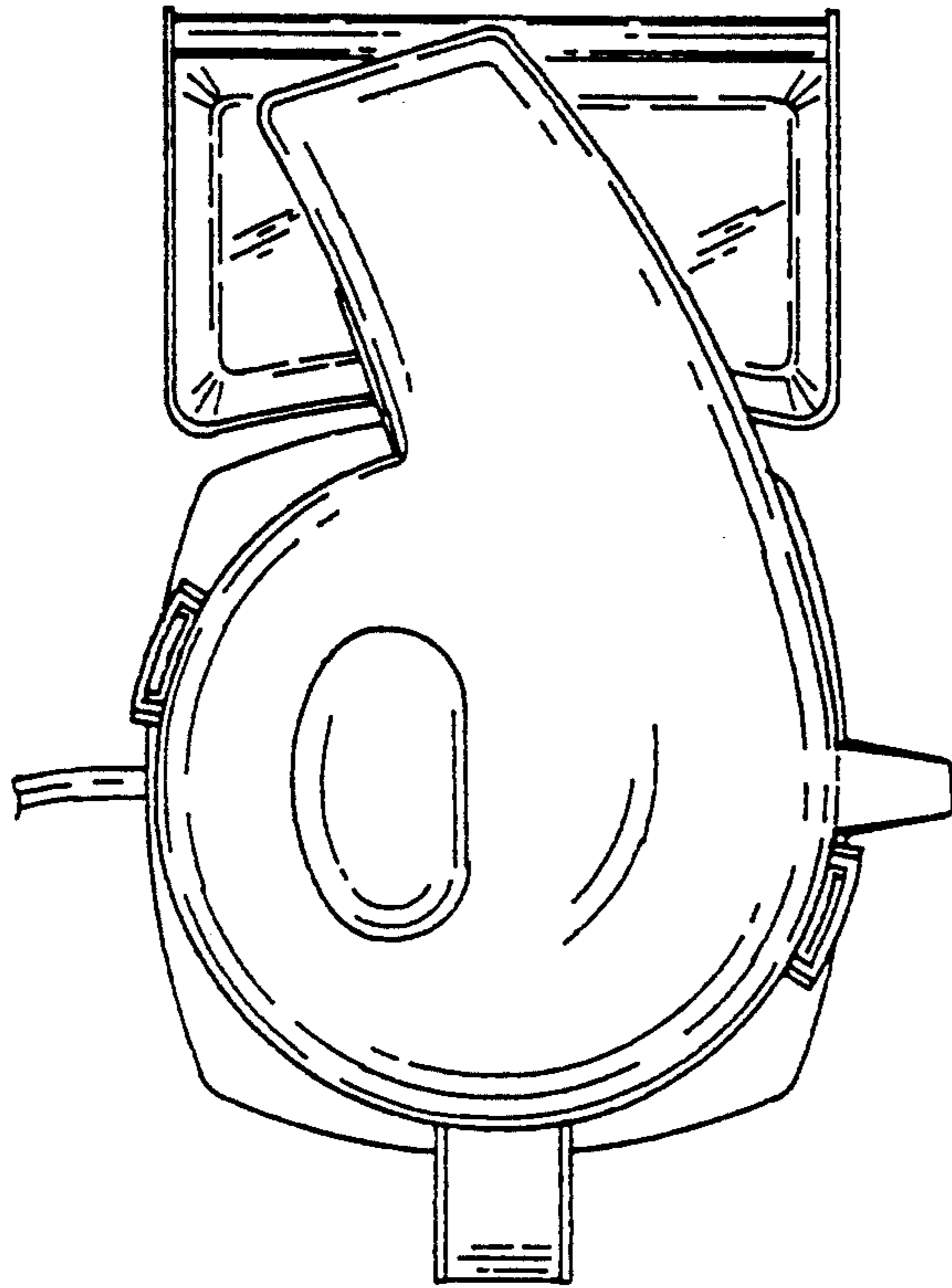


FIG. 6

FIG. 7

