



US00D333945S

# United States Patent [19]

Ancona et al.

[11] Patent Number: **Des. 333,945**

[45] Date of Patent: **\*\* Mar. 16, 1993**

[54] **WOOD GADGET ORGANIZER**

[75] Inventors: **Bruce Ancona; Jane Ancona**, both of New York, N.Y.

[73] Assignee: **M. Kamenstein, Inc.**, White Plains, N.Y.

[\*\*] Term: **14 Years**

[21] Appl. No.: **638,548**

[22] Filed: **Jan. 15, 1991**

[52] U.S. Cl. .... **D7/641**

[58] Field of Search ..... **D7/637-641;**  
**D19/65, 75, 77, 81, 84; 206/553; 211/60.1, 70.6,**  
**70.7, 71**

[56] **References Cited**

### U.S. PATENT DOCUMENTS

D. 316,502 4/1991 Ancona et al. .... D7/641

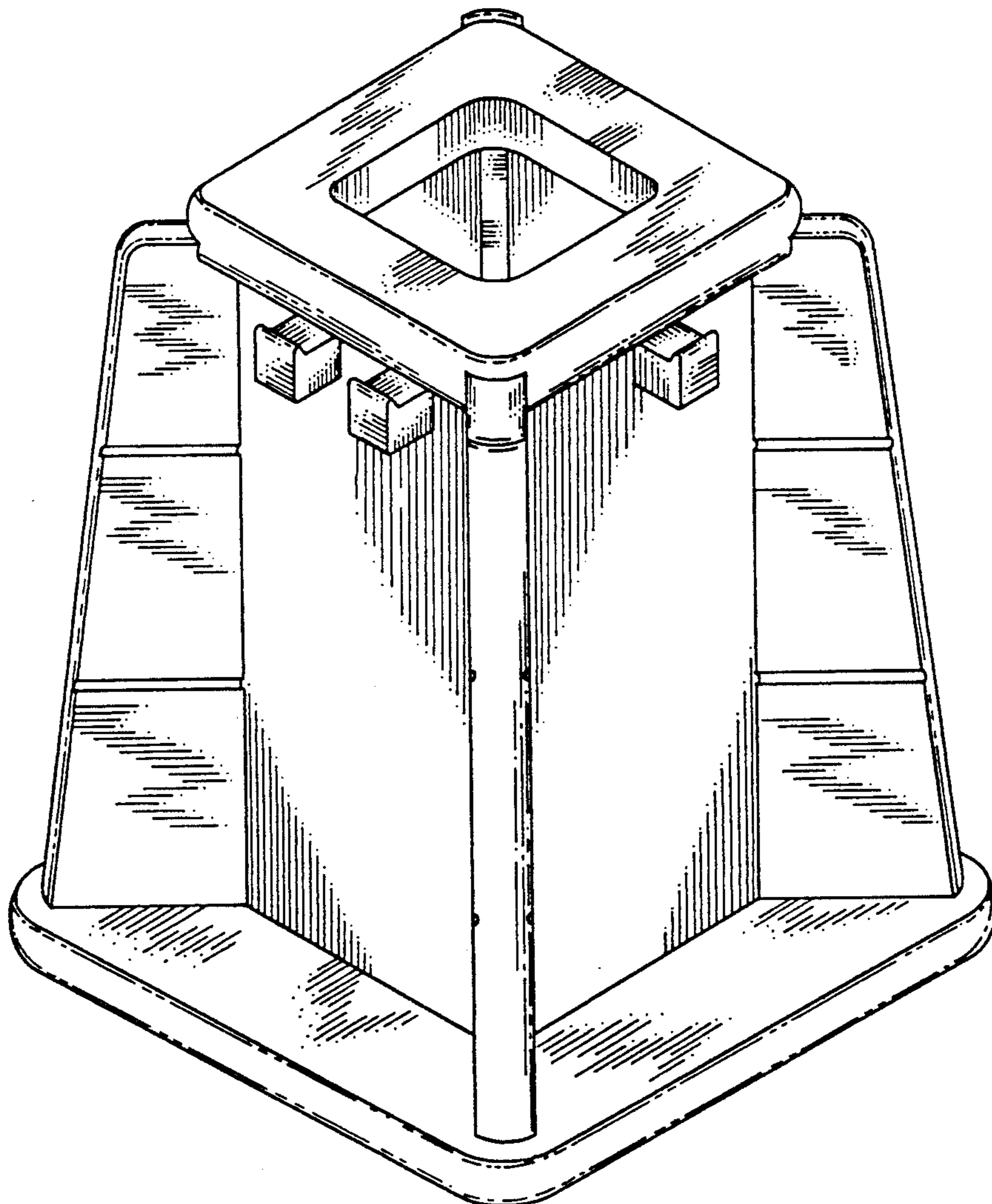
*Primary Examiner*—Terry A. Pfeffer  
*Attorney, Agent, or Firm*—James A. Drobile; Robert A. Koons, Jr.; Robert E. Rosenthal

[57] **CLAIM**

The ornamental design for a wood gadget organizer, as shown and described.

### DESCRIPTION

FIG. 1 is a perspective view of a wood gadget organizer showing our new design;  
FIG. 2 is a top plan view thereof;  
FIG. 3 is a bottom plan view thereof;  
FIG. 4 is a front elevational view thereof, the opposite side being a mirror image; and,  
FIG. 5 is a side elevational view thereof, the opposite side being a mirror image.



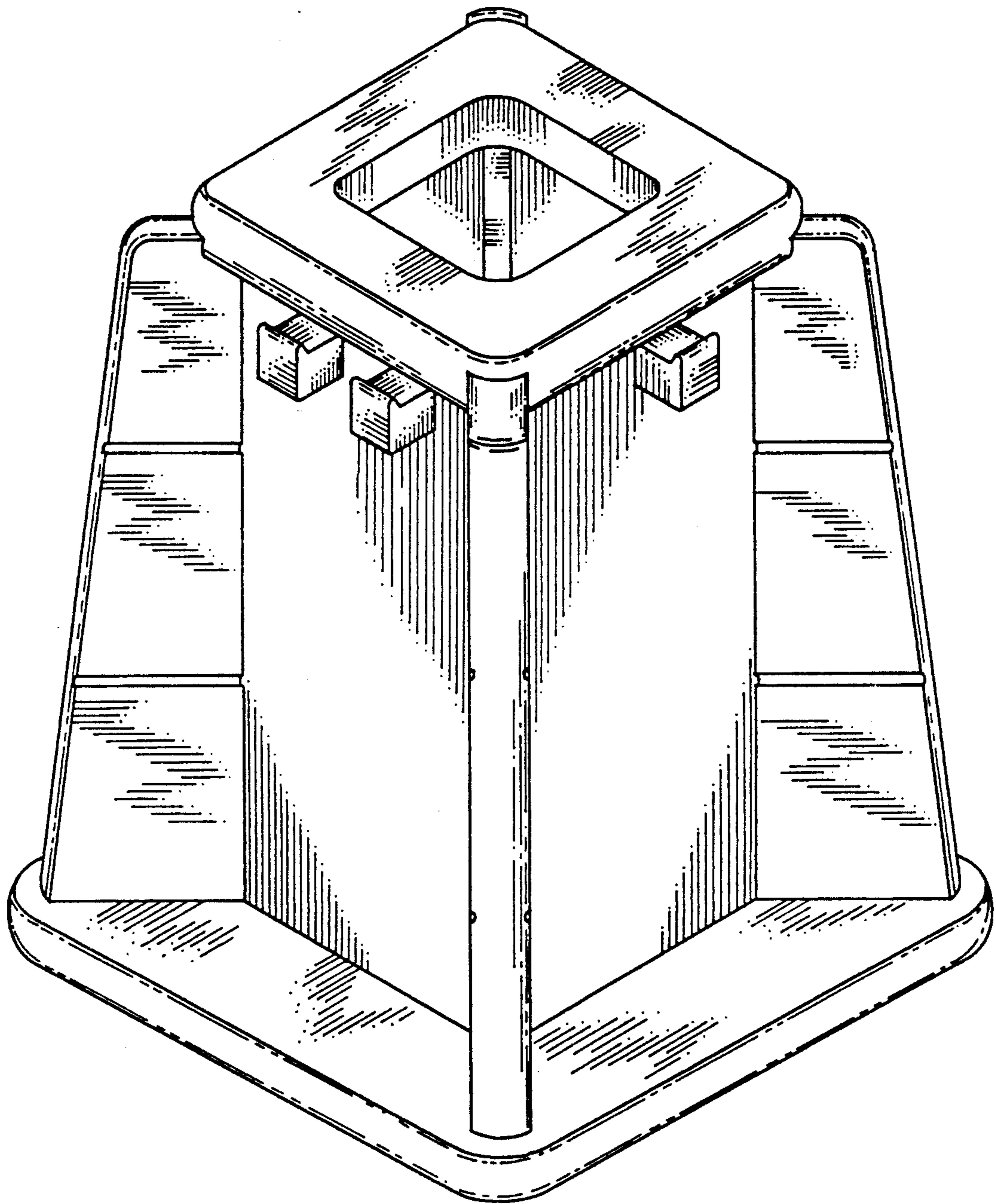


FIG. 1

FIG. 2

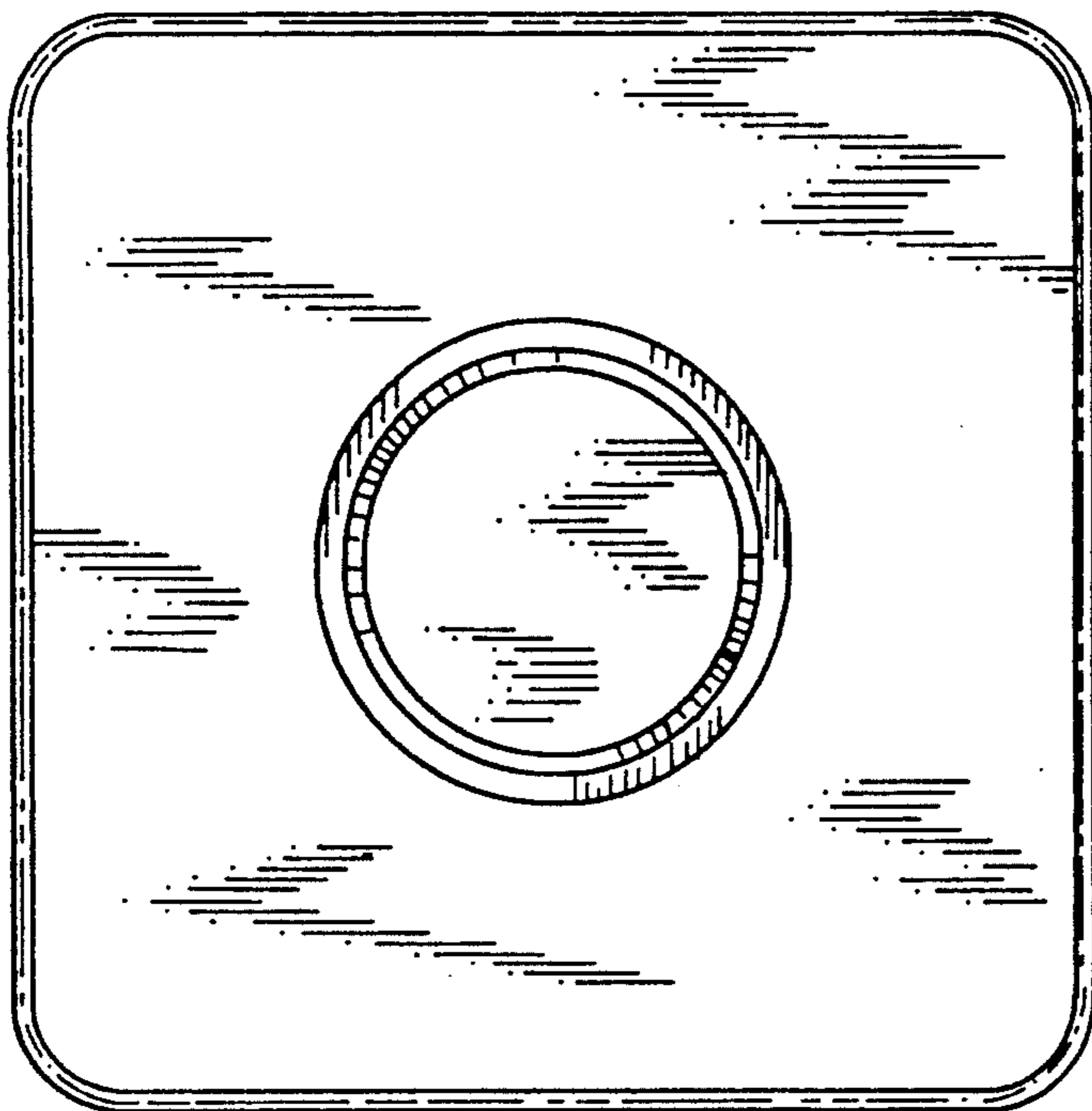
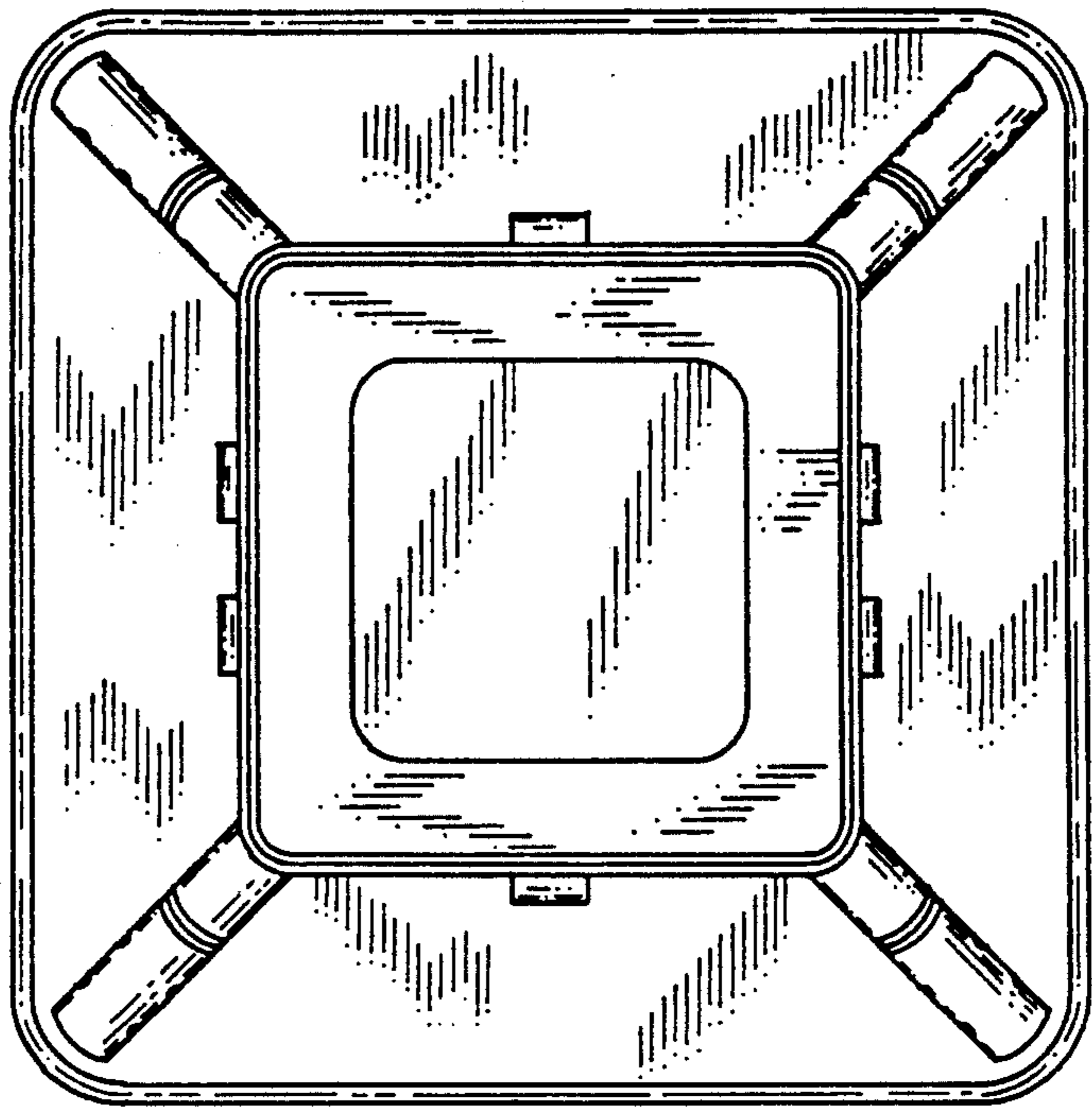


FIG. 3

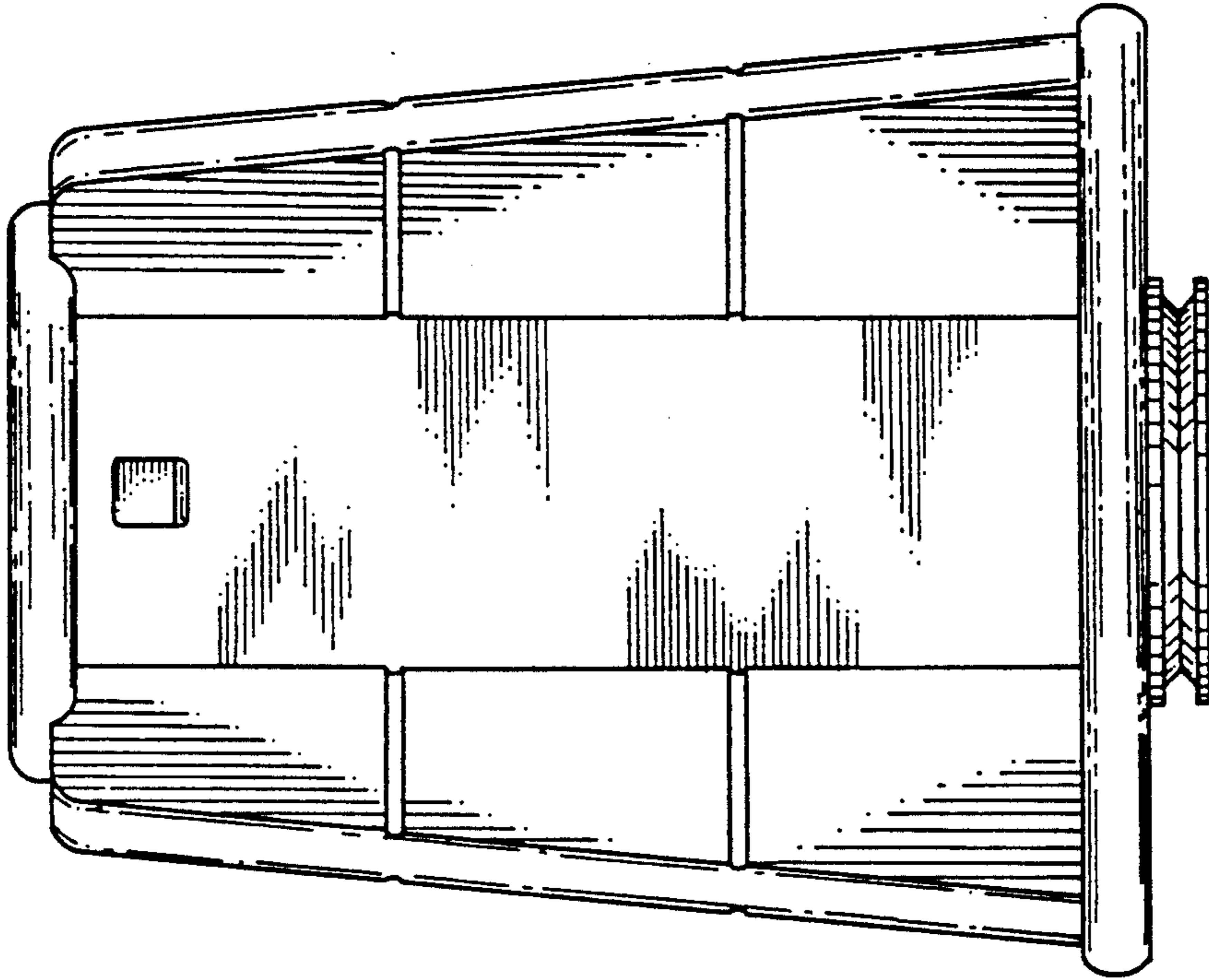


FIG. 5

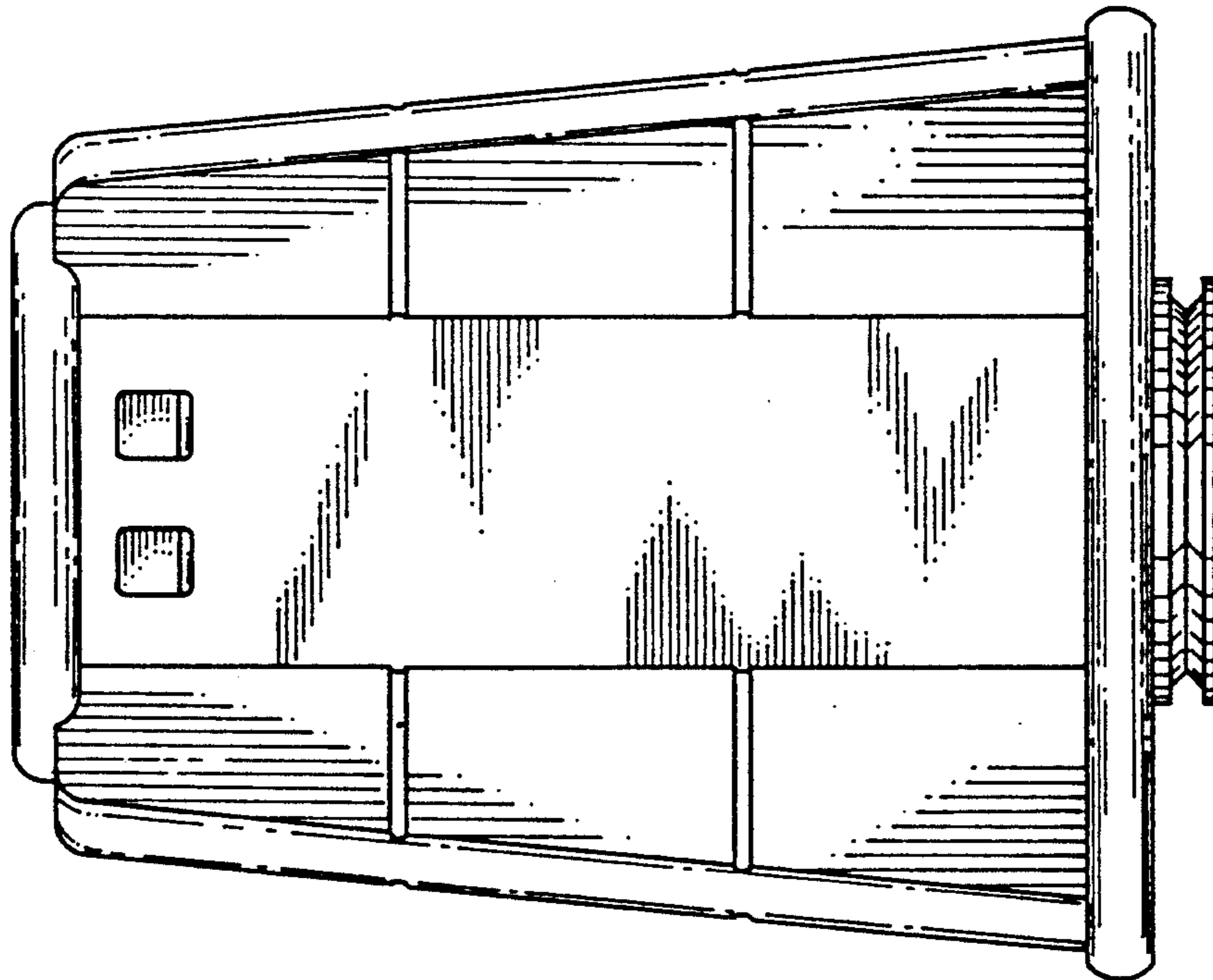


FIG. 4