



US00D333944S

United States Patent [19]

[11] Patent Number: **Des. 333,944**

Denzin et al.

[45] Date of Patent: **** Mar. 16, 1993**

- [54] RIM FOR A FOOD RECEPTACLE
- [75] Inventors: Dirk Denzin, West Bend; Alan Schommer, Fredonia, both of Wis.
- [73] Assignee: The Vollrath Company, Inc., Sheboygan, Wis.
- [**] Term: 14 Years
- [21] Appl. No.: 528,175
- [22] Filed: May 24, 1990
- [52] U.S. Cl. D7/554; D7/550; D7/392.1
- [58] Field of Search D7/550, 551, 586, 554, D7/587, 392.1, 394; 220/359, 306, 421; D9/432, 415, 430

Polar Ware Co., "Food Service" catalog, May, 1988, pp. 1-3.
 The Vollrath Company, product brochure Form No. 35001, 1986.
 Cambro Manufacturing Co., "Product News", Nov. 15, 1978.
 Rubbermaid Commercial Products, Inc., "Rubbermaid Food Specialists" brochure, May, 1978.

Primary Examiner—Alan P. Douglas
Assistant Examiner—M. N. Pandozzi
Attorney, Agent, or Firm—Foley & Lardner

[57] CLAIM

The ornamental design for a rim for a food receptacle.

DESCRIPTION

FIG. 1 is a perspective view of a rim for a food receptacle showing our new design, with the food receptacle shown in phantom;
 FIG. 2 is a top plan view of a rim for a food receptacle showing our new design with the food receptacle shown in phantom;
 FIG. 3 is a left end elevational view of a rim for a food receptacle with the food receptacle shown in phantom, the right end elevational view being a mirror image thereof; and,
 FIG. 4 is a front side elevational view of a rim for a food receptacle with the food receptacle shown in phantom, the rear elevational view being a mirror image thereof. The broken line showing of a tray bottom is for illustrative purposes only and forms no part of the claimed design.

The bottom plan view is plain and unornamented.

[56] **References Cited**

U.S. PATENT DOCUMENTS

D. 288,396	2/1987	Ritman	D7/550 X
2,814,427	11/1957	Emery	D7/550
3,233,812	2/1966	Kennedy	229/2.5
3,581,970	6/1971	Colato	D7/550
4,113,095	9/1978	Dietz et al.	206/508
4,298,156	11/1981	Reifers et al.	229/2.5
4,660,734	4/1987	Heaney et al.	220/657
4,828,112	5/1989	Vollrath et al.	206/519

OTHER PUBLICATIONS

Cambro Manufacturing Corp., "1989 Cambro Catalog", Jan. 1, 1990, pp. 18-21.

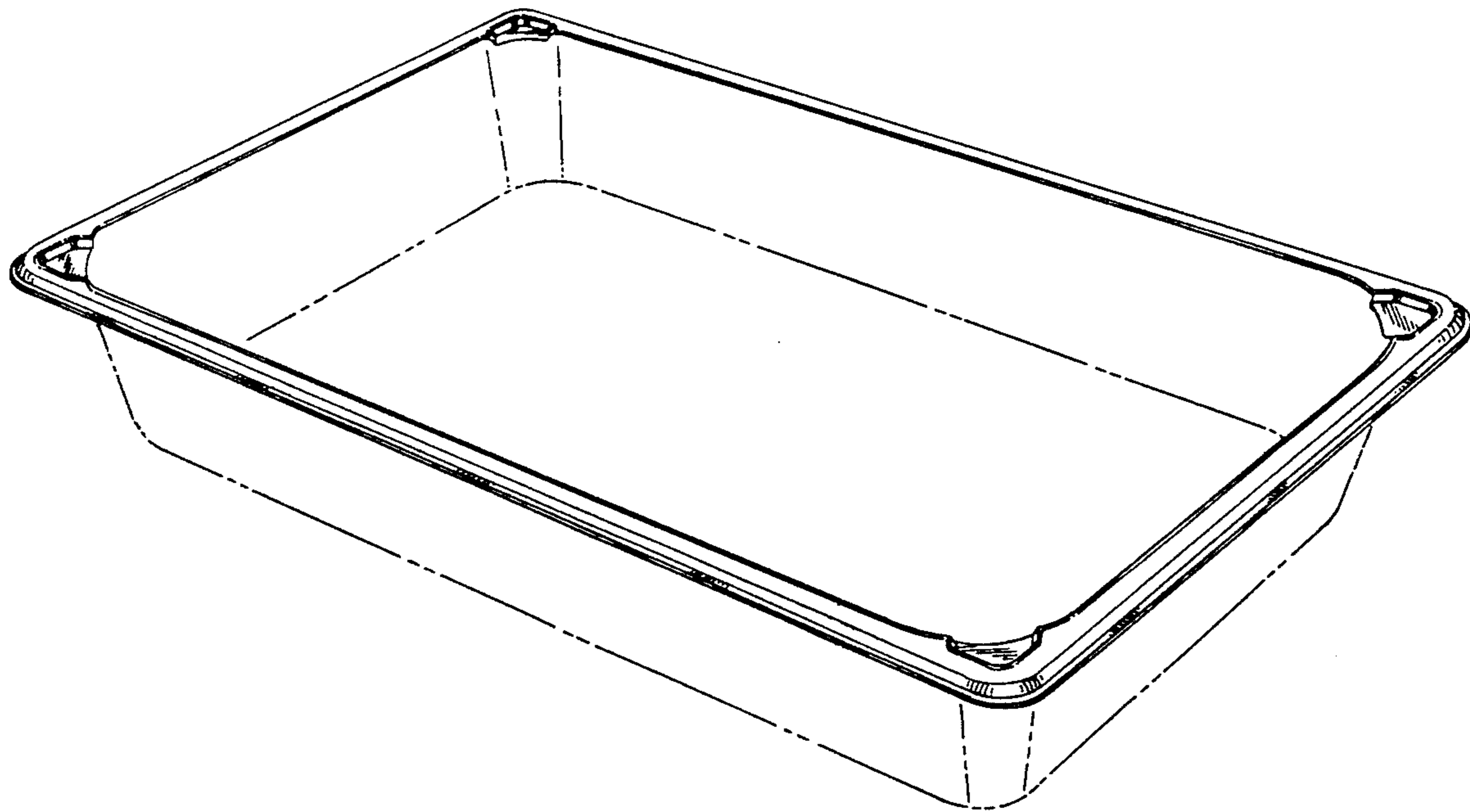


FIG. 1

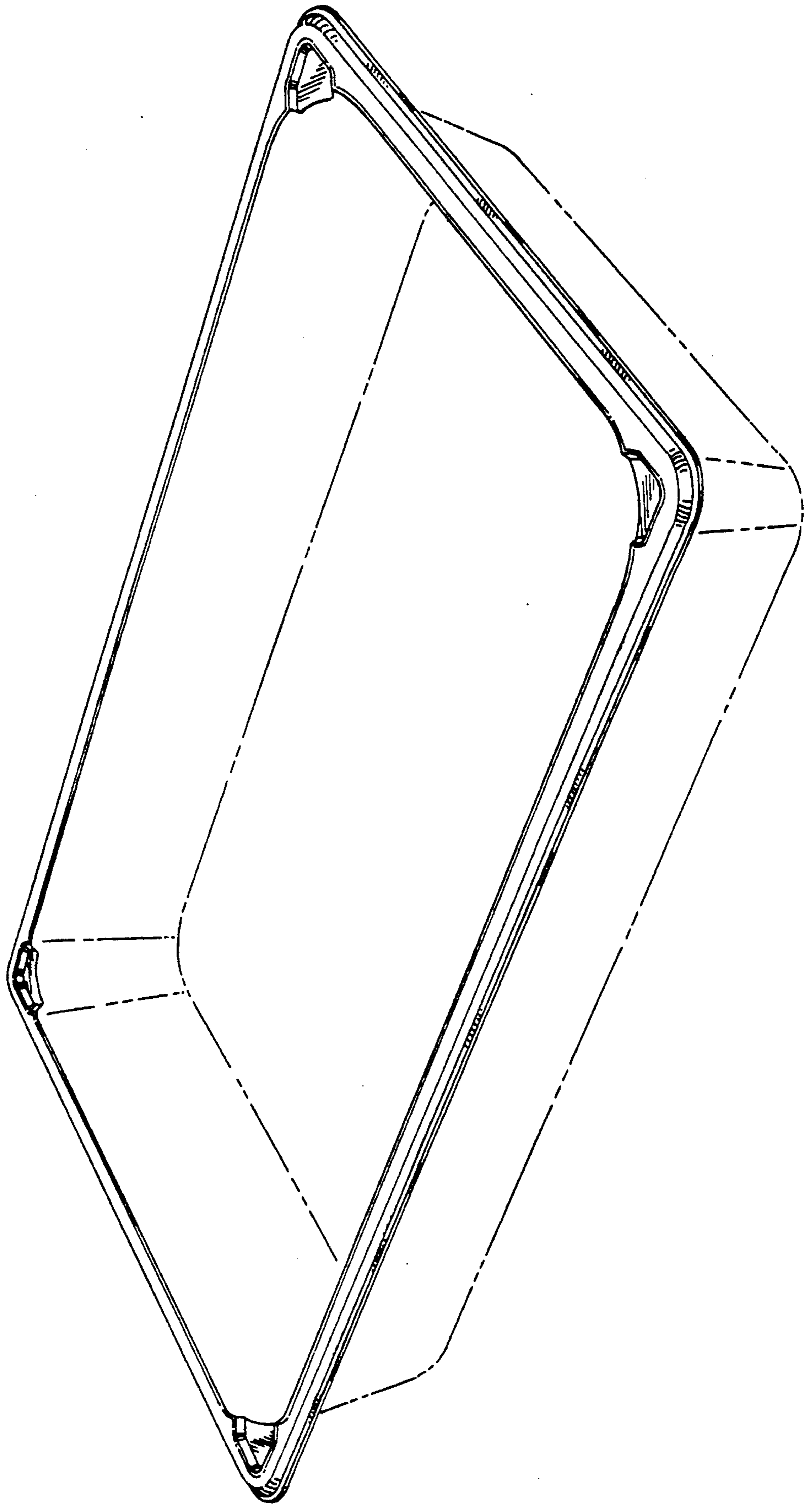


FIG. 2

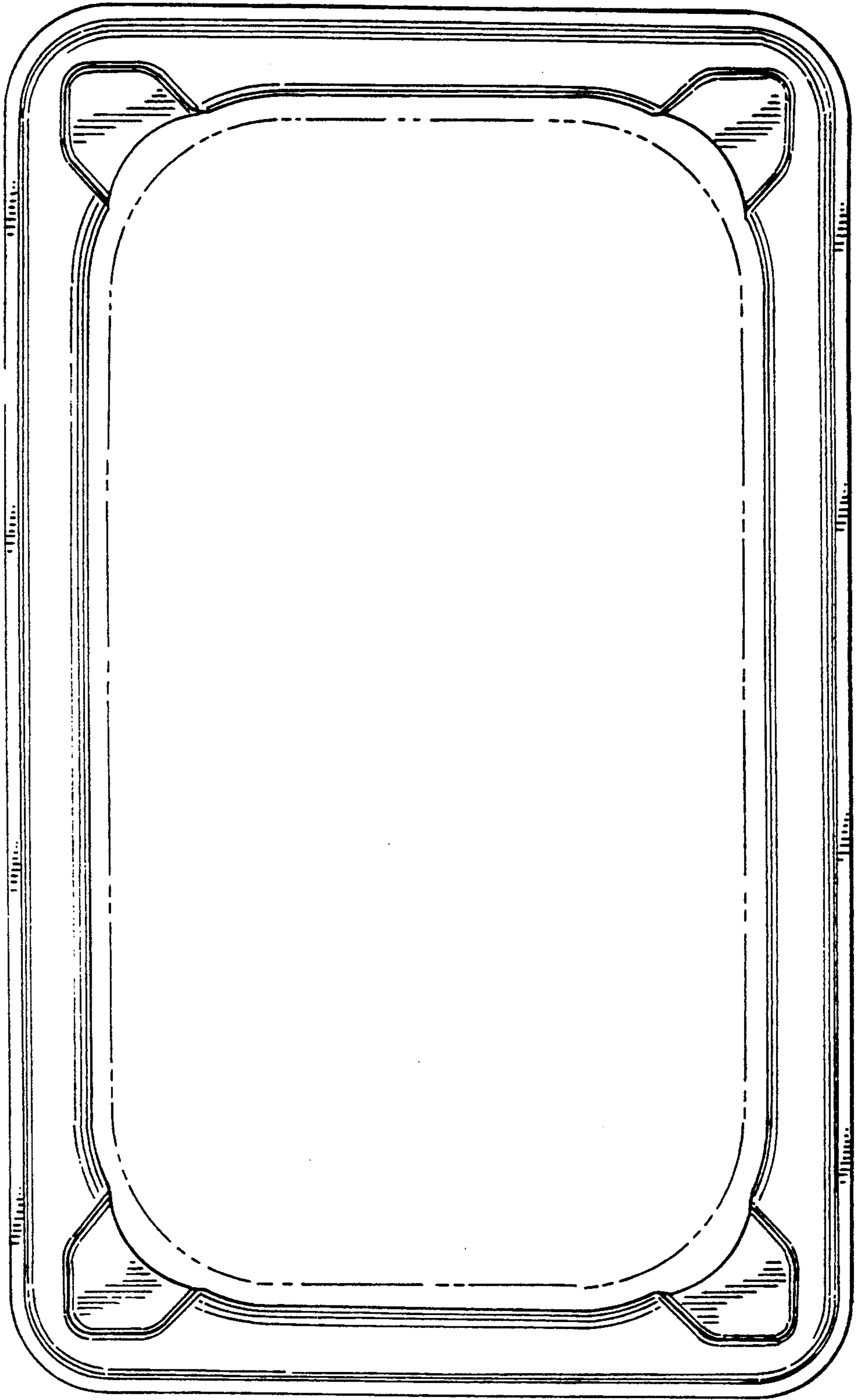


FIG. 3

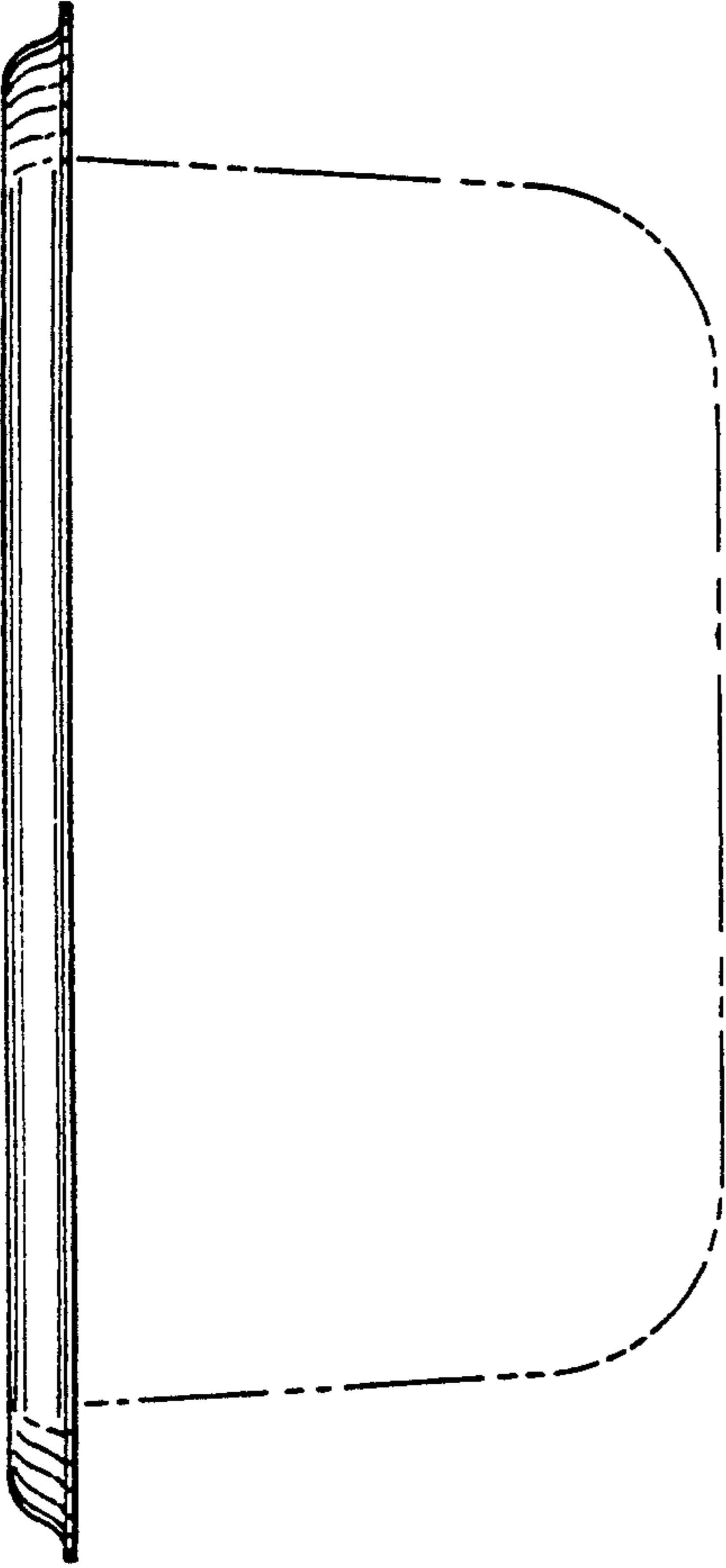


FIG. 4

