



US00D333930S

United States Patent [19]

Olsen

[11] Patent Number: **Des. 333,930**

[45] Date of Patent: **** Mar. 16, 1993**

[54] DISPLAY CASE

[75] Inventor: **Nancy A. Olsen, Hillsborough, Calif.**

[73] Assignee: **American Fashion Jewels, Inc., So. San Francisco, Calif.**

[**] Term: **14 Years**

[21] Appl. No.: **665,005**

[22] Filed: **Mar. 5, 1991**

[52] U.S. Cl. **D6/470**

[58] Field of Search **D6/396, 449, 470, 471, D6/472, 480, 484, 486; 312/114, 117**

[56] References Cited

U.S. PATENT DOCUMENTS

- D. 247,079 1/1978 Otema D6/470 X
- D. 305,286 1/1990 Otema D6/470
- D. 306,107 2/1990 Crosfillex D6/486 X

OTHER PUBLICATIONS

Berg Showcases Mfg. Inc., dated Jul. 1982, p. 5, item A.
 Tecno Display & Showcases, item TV 60.
 Visual Merchandising & Store Design, Jan. 1988, p. 85,
 Dalco Concept, center of page.
 Interiors, Aug. 1988, p. 148, Desk from SFI.

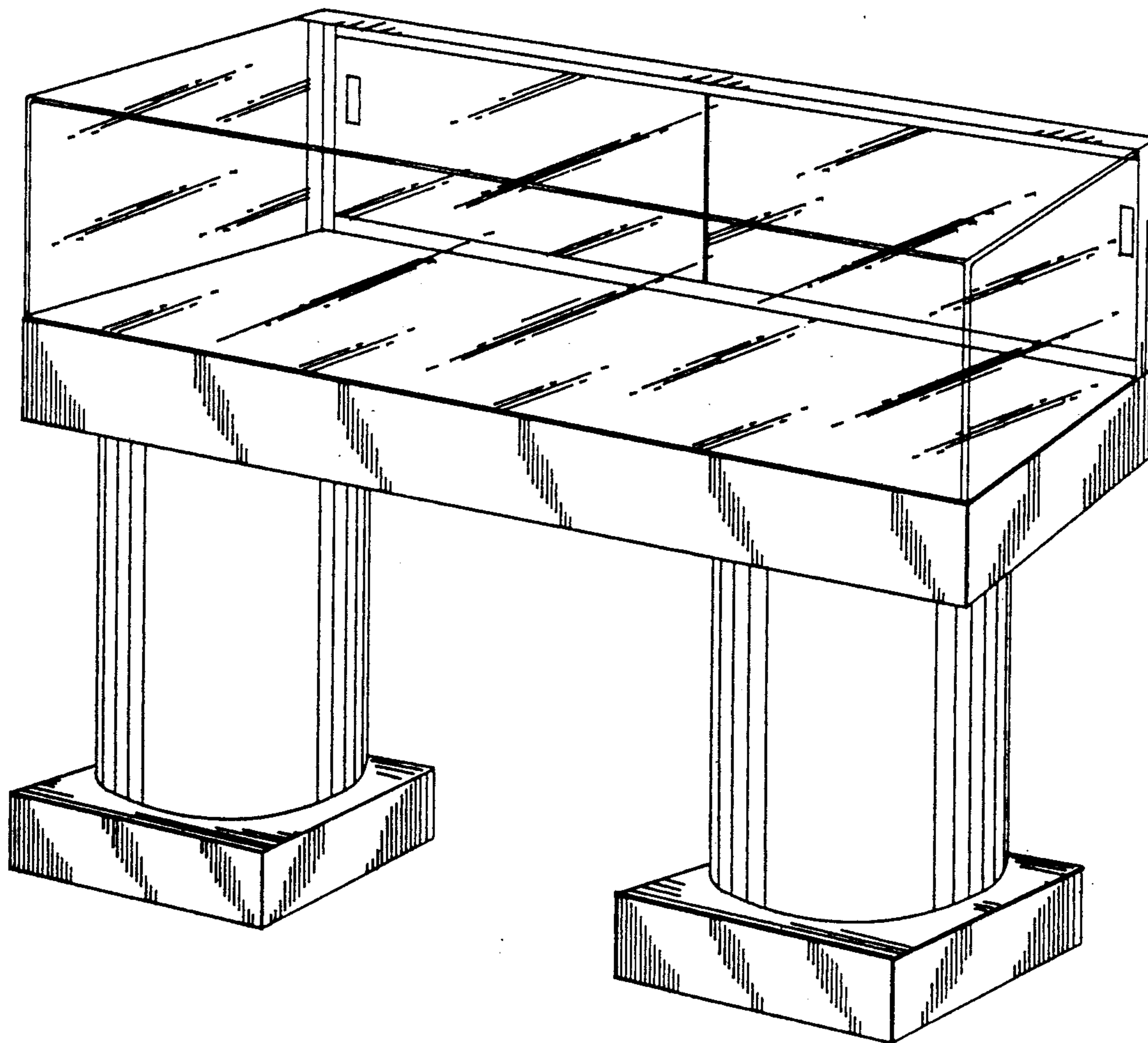
Primary Examiner—Alan P. Douglas
Assistant Examiner—Jeffrey Asch
Attorney, Agent, or Firm—Flehr, Hohbach, Test,
 Albritton & Herbert

[57] CLAIM

The ornamental design for a display case, as shown.

DESCRIPTION

FIG. 1 is a perspective view of a display case showing my design;
 FIG. 2 is a front elevational view thereof;
 FIG. 3 is a rear elevational view thereof;
 FIG. 4 is a right elevational side view thereof;
 FIG. 5 is a left elevational side view thereof;
 FIG. 6 is a top plan view thereof; and,
 FIG. 7 is a bottom plan view thereof.



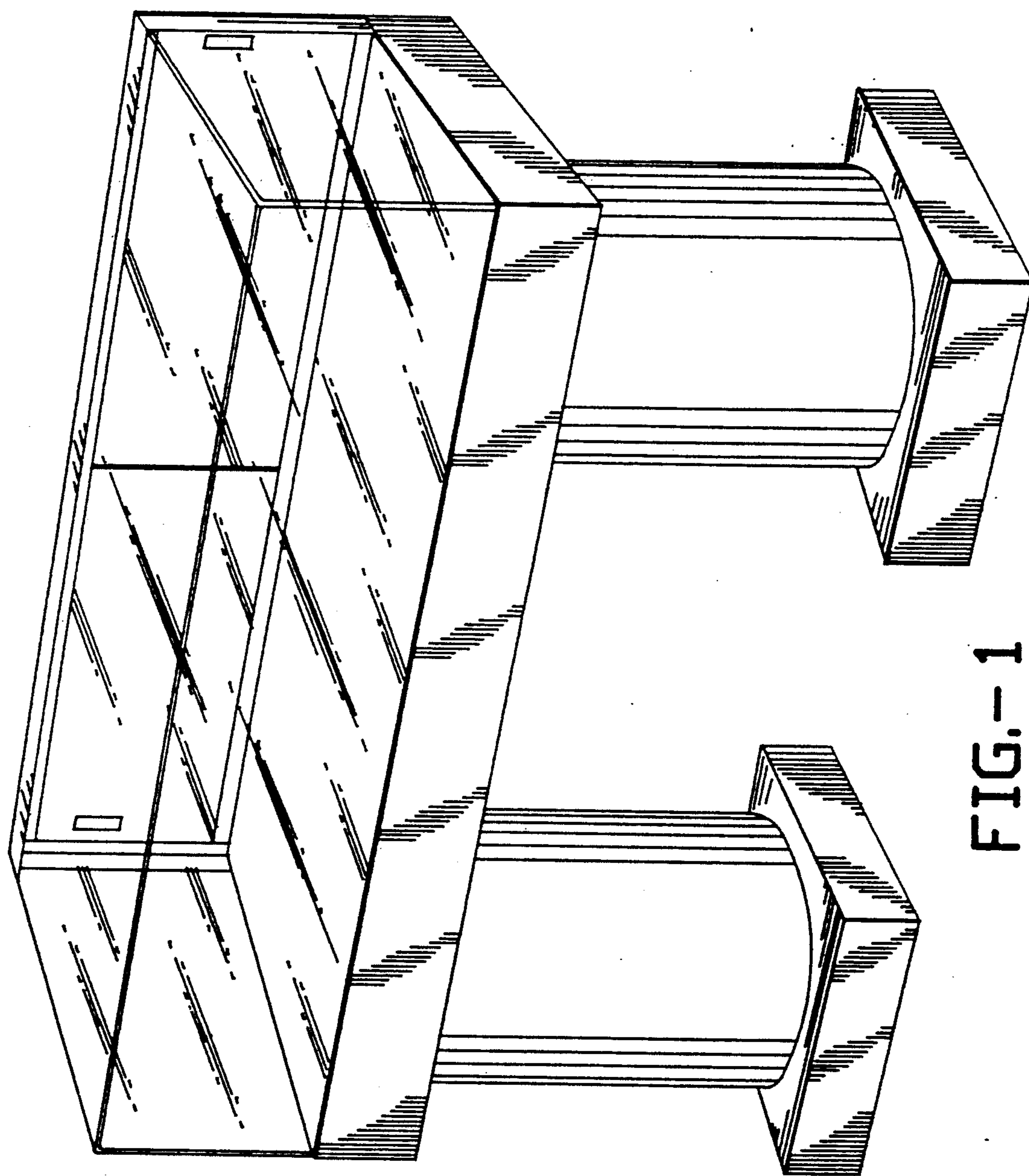


FIG.- 1

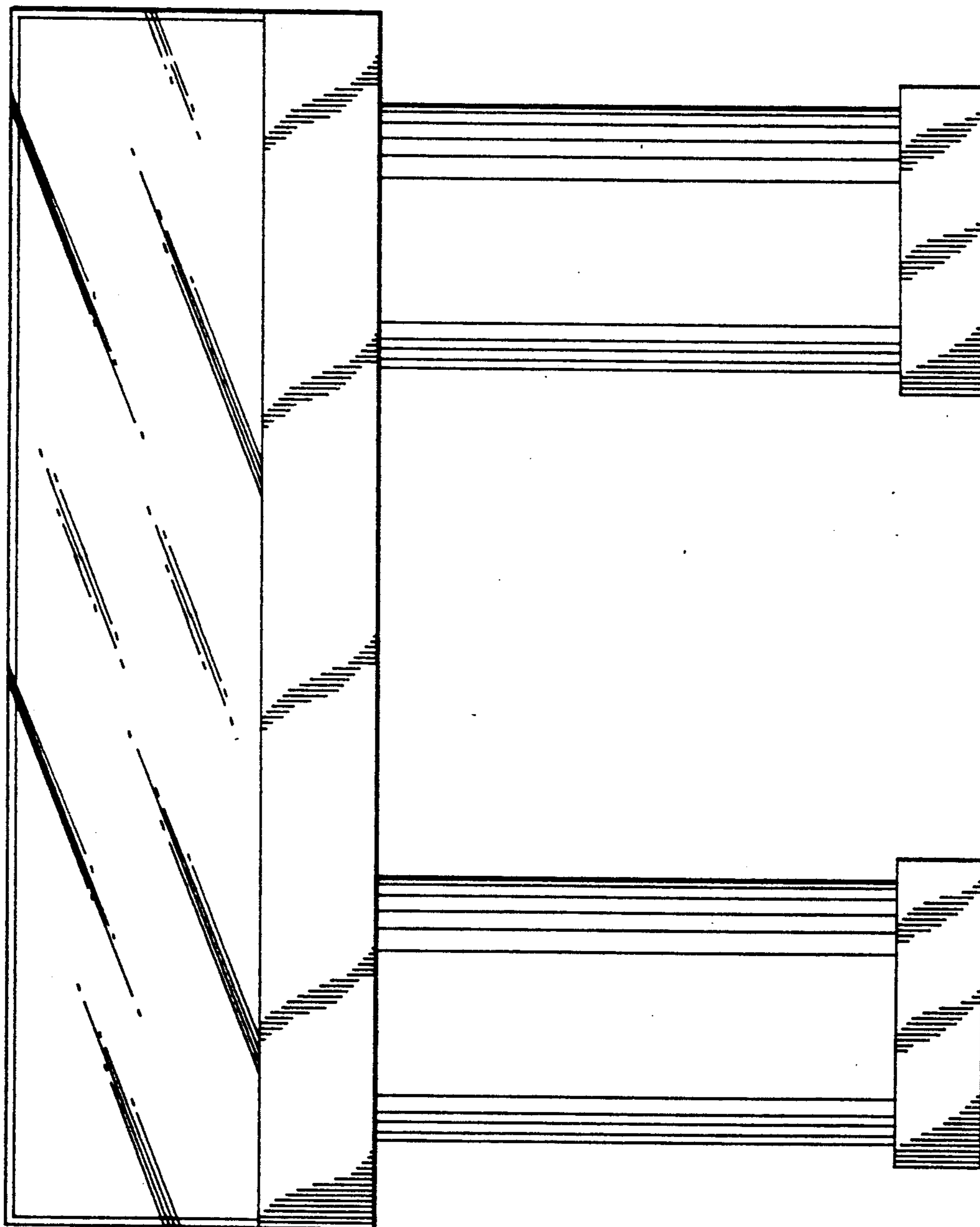


FIG.-2

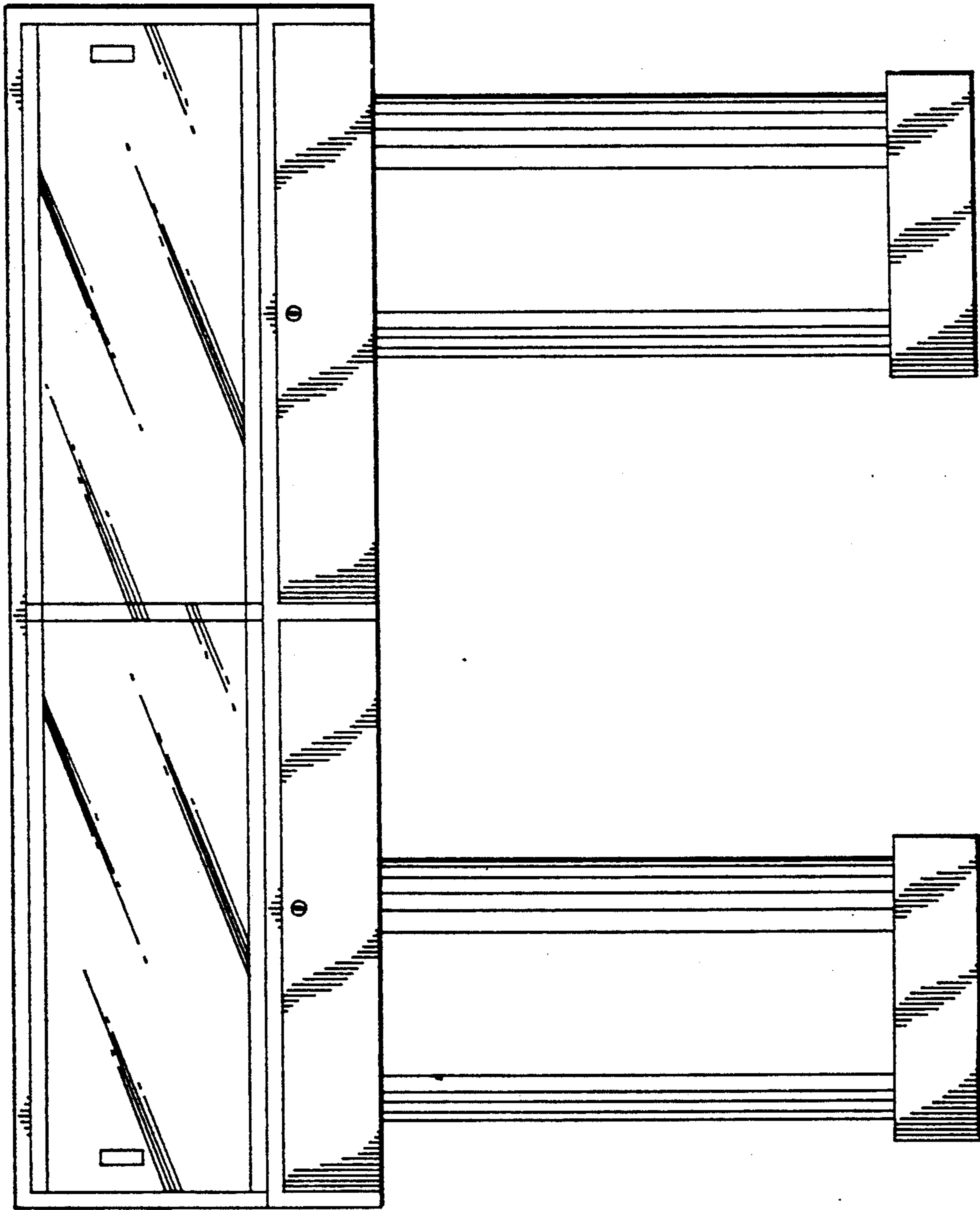


FIG.- 3

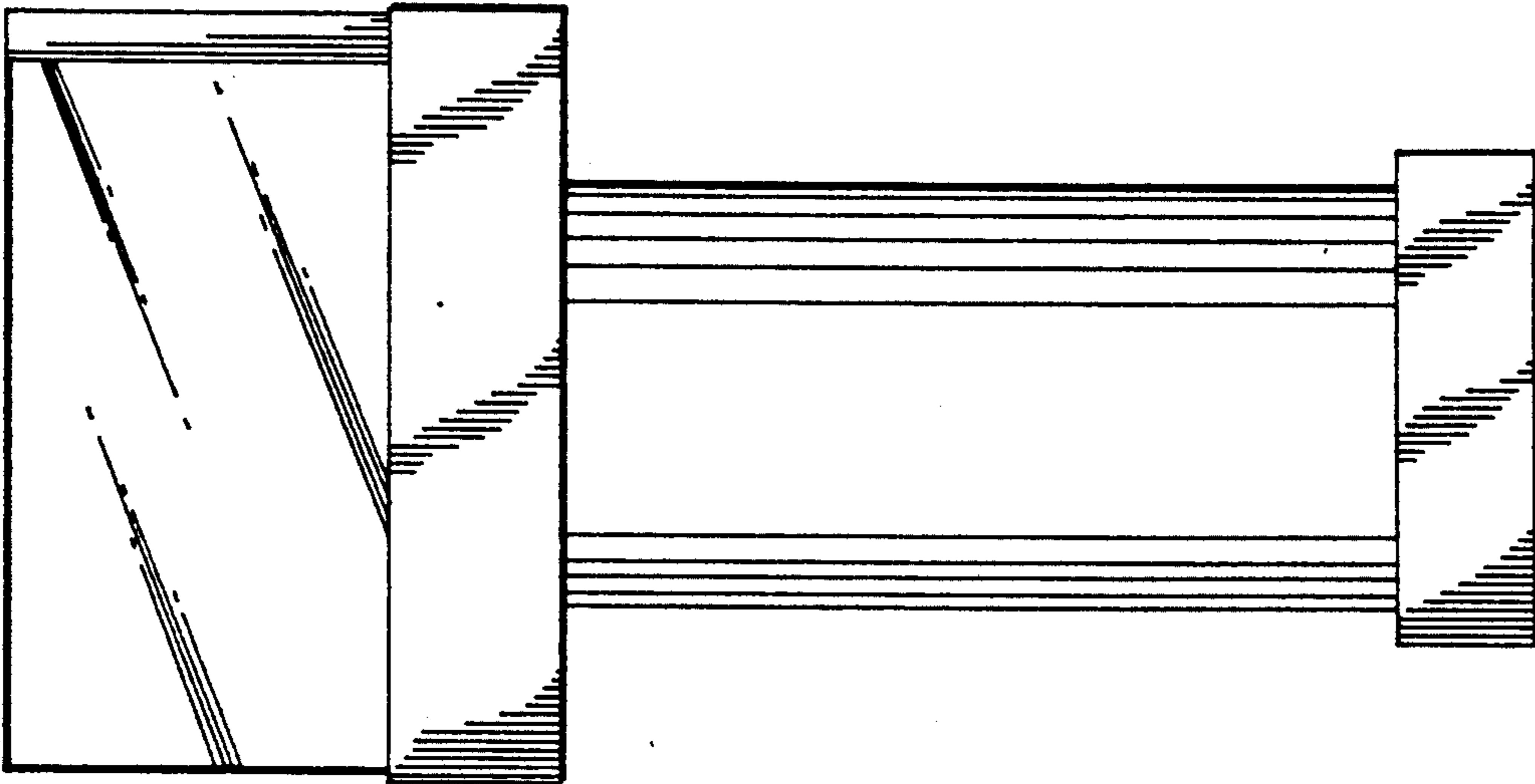


FIG.-4

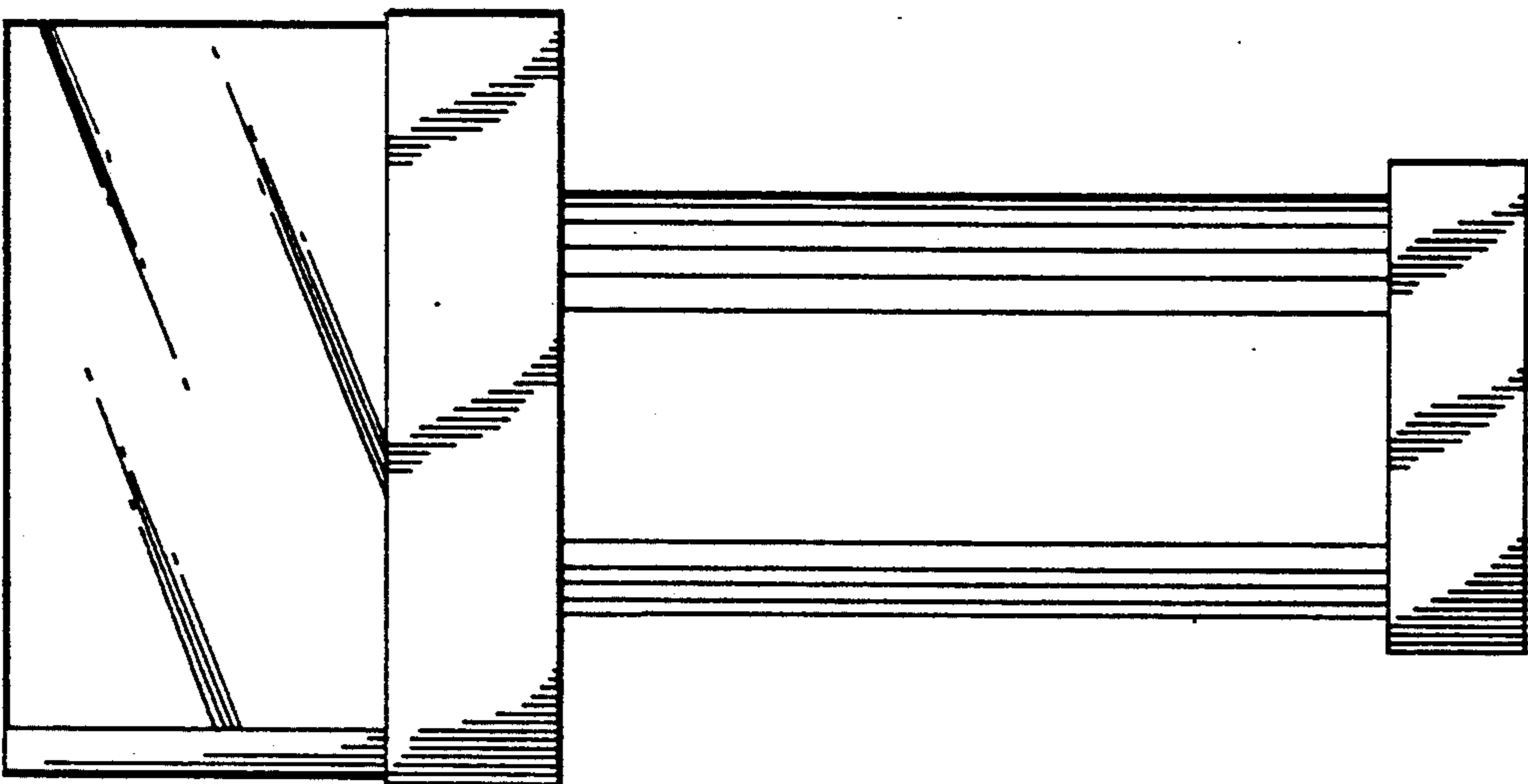


FIG.-5

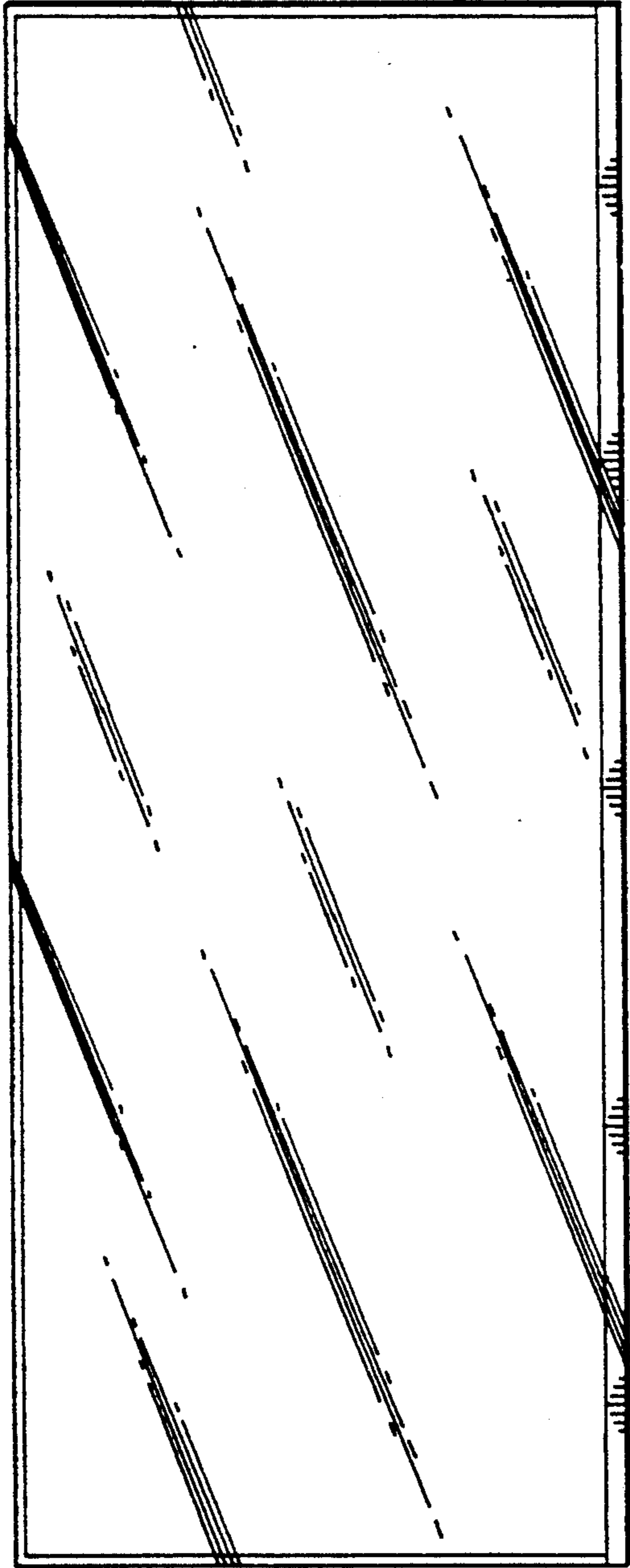


FIG.- 6

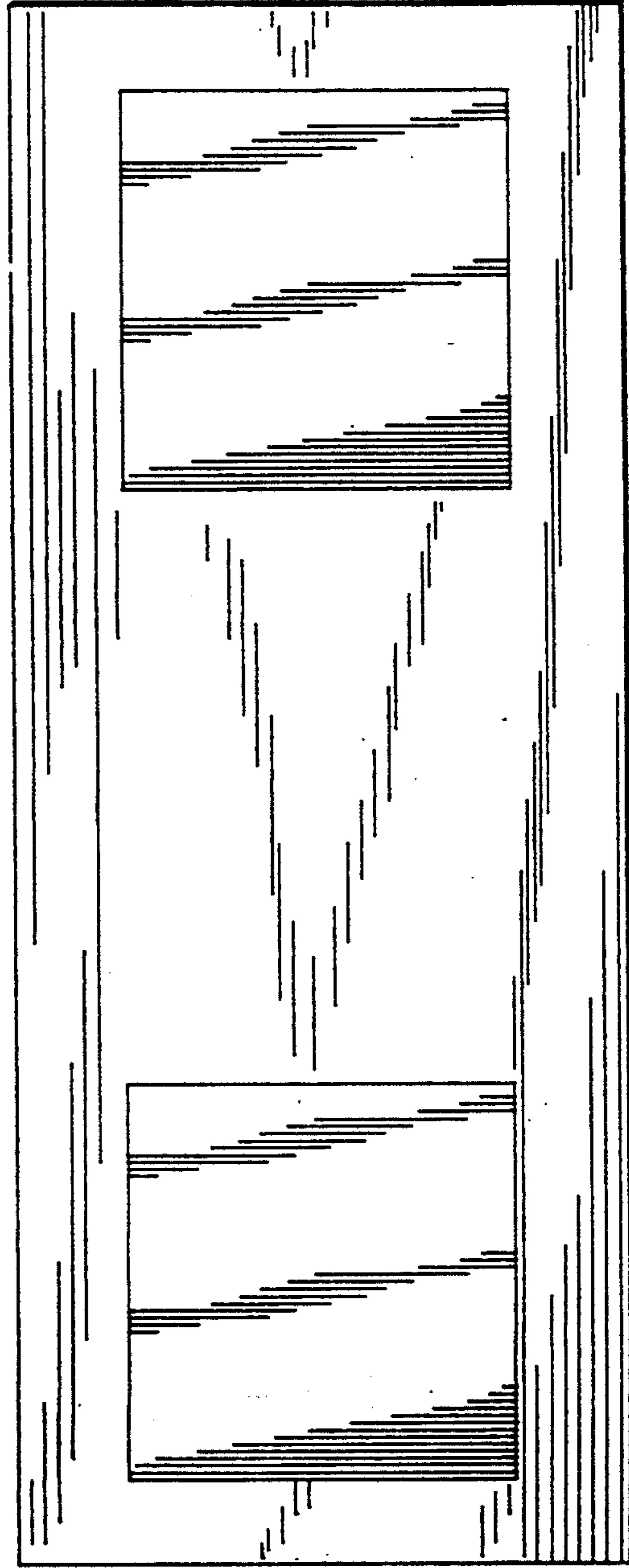


FIG.- 7