



US00D333928S

# United States Patent [19]

[11] Patent Number: **Des. 333,928**

Santowski et al.

[45] Date of Patent: **\*\* Mar. 16, 1993**

[54] POINT OF SALE MERCHANDISE STAND  
HAVING ROTATING DISPLAY

D. 232,891	9/1974	Parrotte	.....	D6/431
D. 232,892	9/1974	Parotte	.....	D6/431
D. 239,062	3/1976	Sklaroff	.....	D6/446
D. 303,472	9/1989	Manhart	.....	D6/553
D. 323,931	2/1992	Haynes	.....	D6/456 X
3,710,487	1/1973	Saltz	.....	D19/76 X

[75] Inventors: **Jerome G. Santowski, Mequon; Sue Lugviel, Hubertus; Evarist R. Henke, Hartford; William A. Kaepernick, Horicon; Gregory G. Hug, Allenton, all of Wis.**

*Primary Examiner*—Alan P. Douglas  
*Assistant Examiner*—Jeffrey Asch  
*Attorney, Agent, or Firm*—Andrus, Scales, Starke & Sawall

[73] Assignee: **Broan Mfg. Co., Inc., Hartford, Wis.**

[\*\*] Term: **14 Years**

### [57] CLAIM

[21] Appl. No.: **452,946**

The ornamental design for a point of sale merchandise stand having rotating display, as shown.

[22] Filed: **Dec. 19, 1989**

### DESCRIPTION

[52] U.S. Cl. .... **D6/456**

[58] Field of Search ..... D6/396, 397, 449, 446, D6/429-431, 456, 436, 466-468, 553, 512, 559, 567; D19/76; 40/371, 379, 377, 378; 211/133, 186, 187, 13, 164

FIG. 1 is a front elevational view of a point of sale merchandise stand having rotating display showing our new design;

FIG. 2 is a right side elevational view;

FIG. 3 is a top plan view;

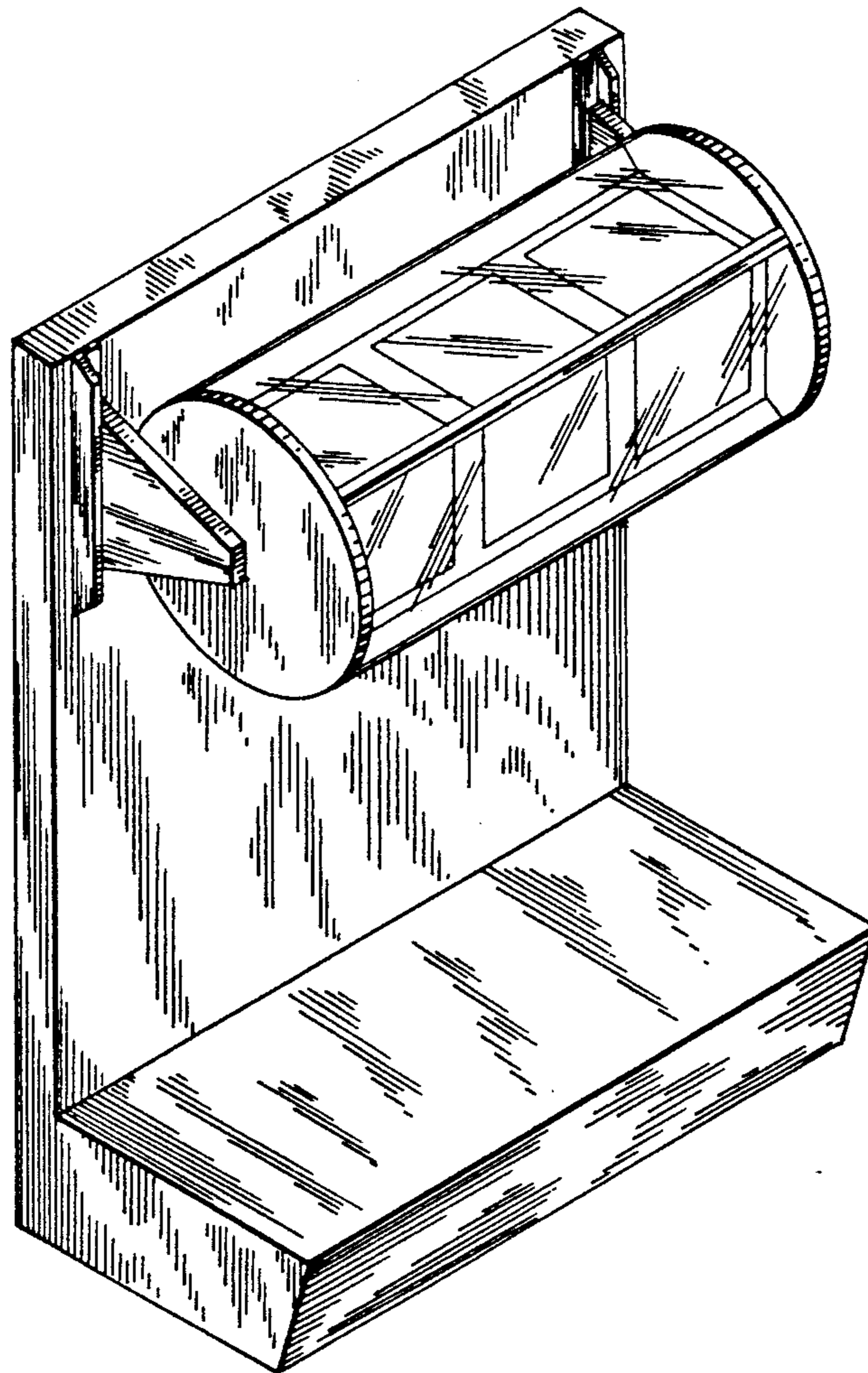
FIG. 4 is a rear elevational view; and,

FIG. 5 is a top, front, and left side perspective view thereof.

### [56] References Cited

#### U.S. PATENT DOCUMENTS

D. 41,539 7/1911 Lee ..... D6/456



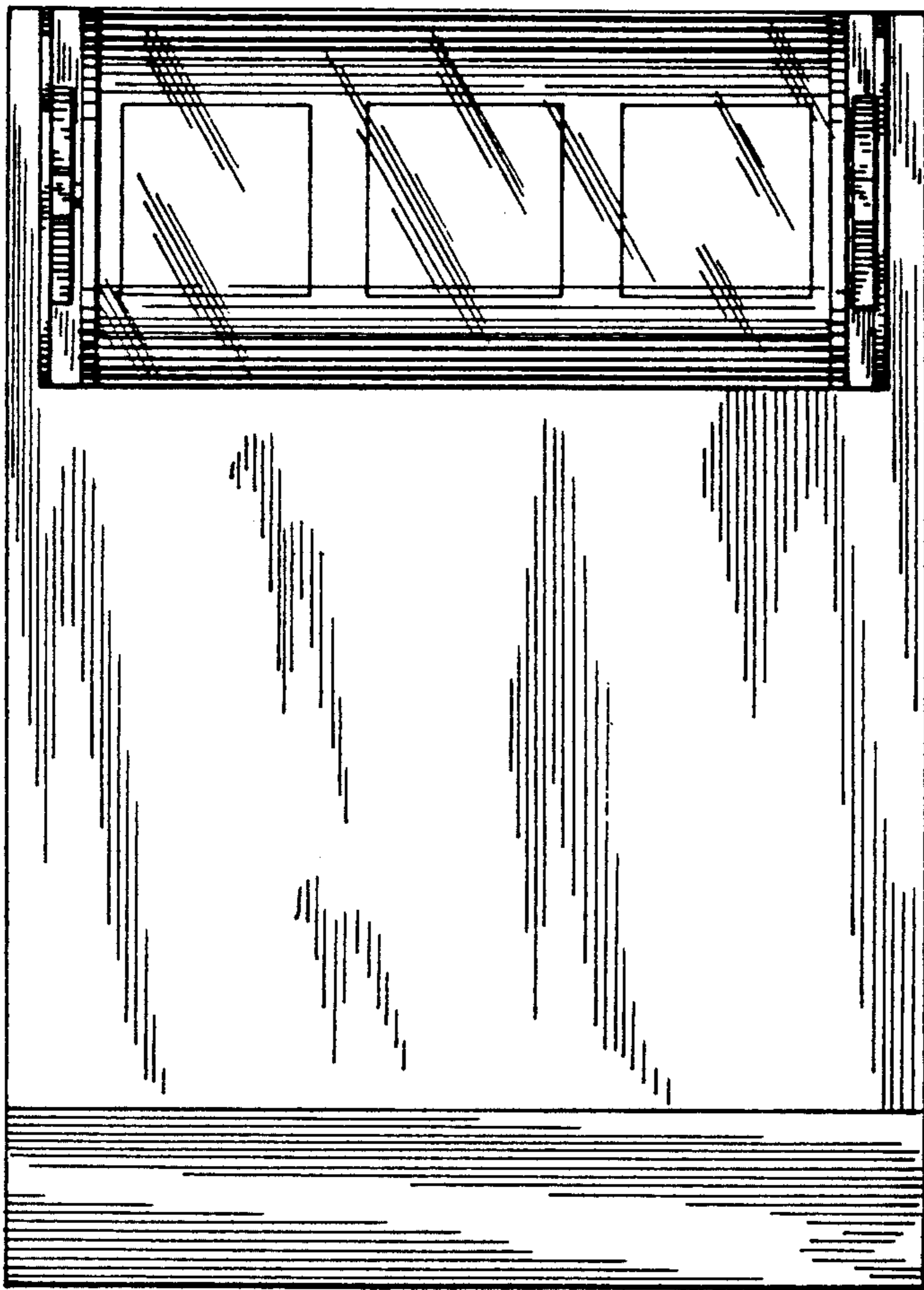


FIG. 1

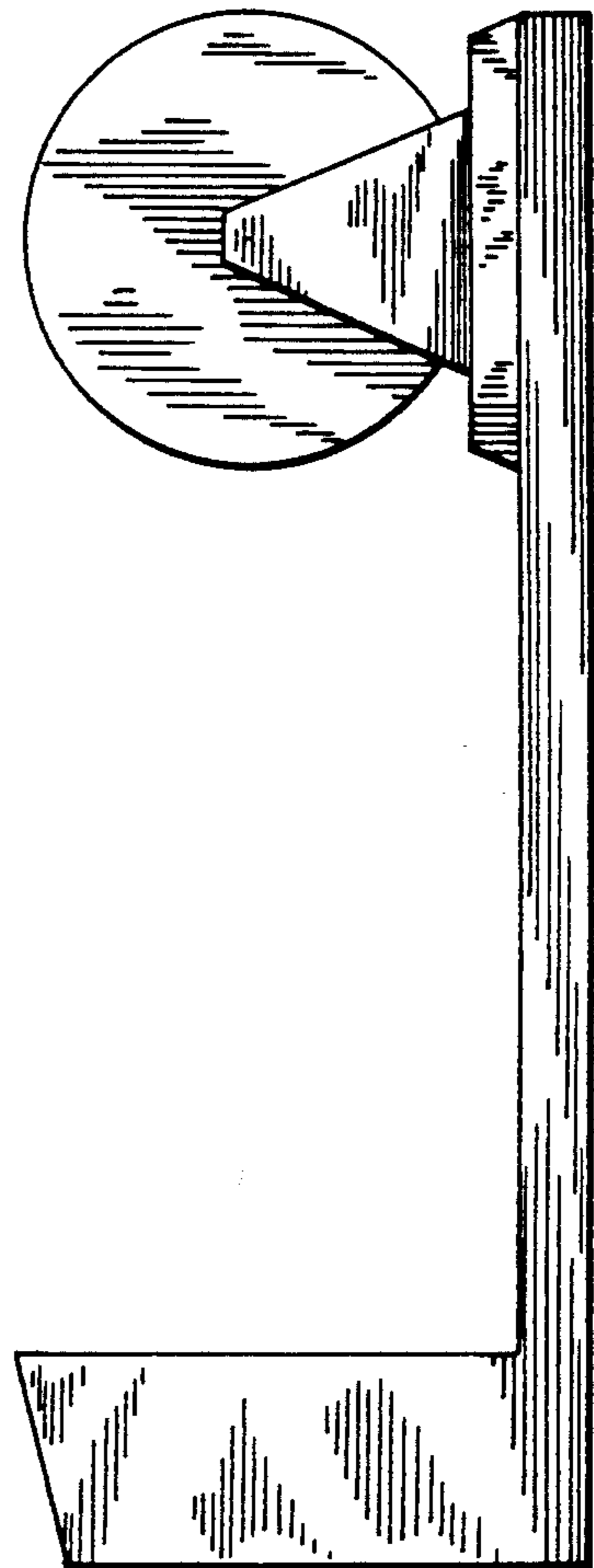


FIG. 2

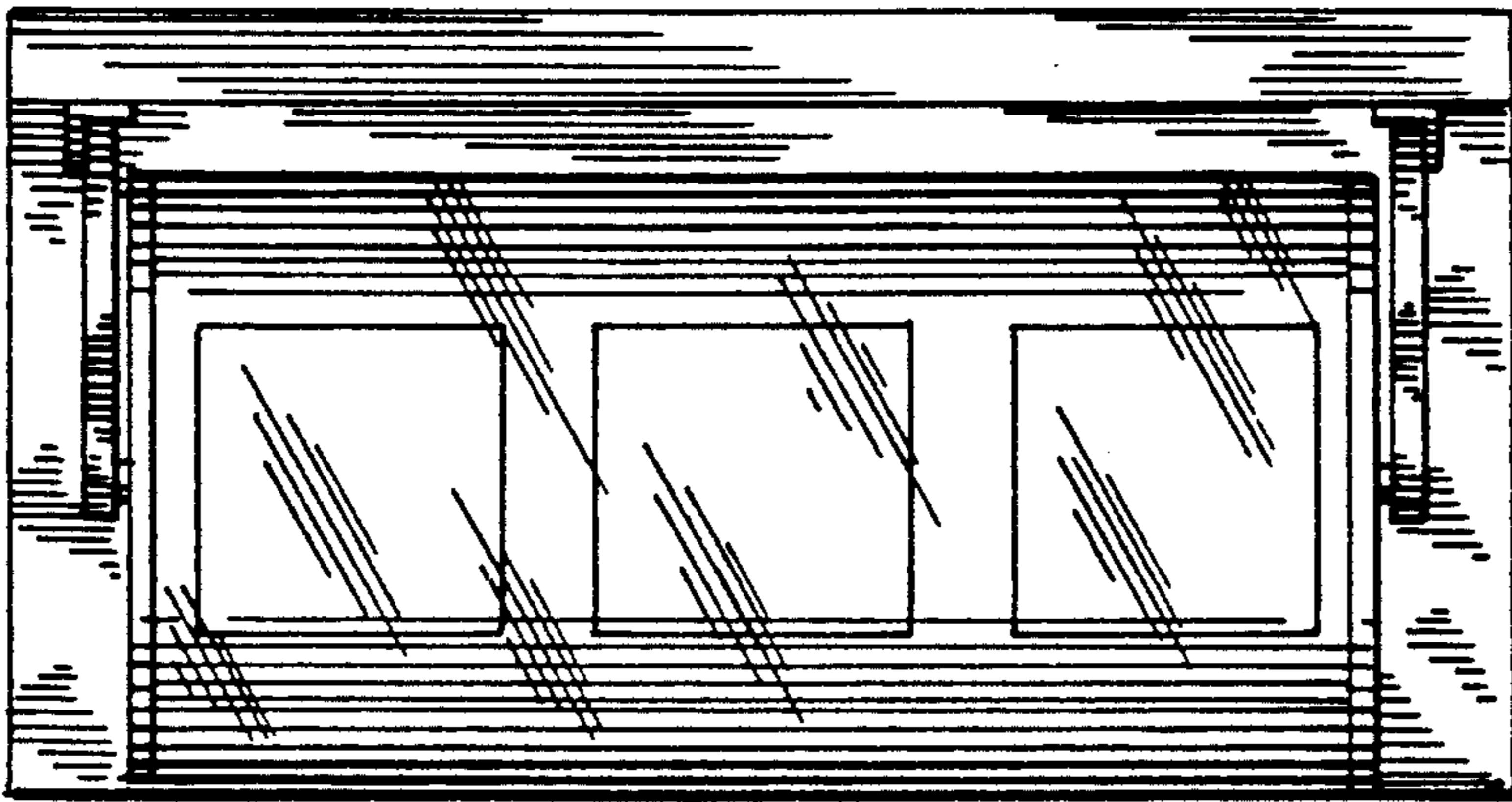


FIG. 3

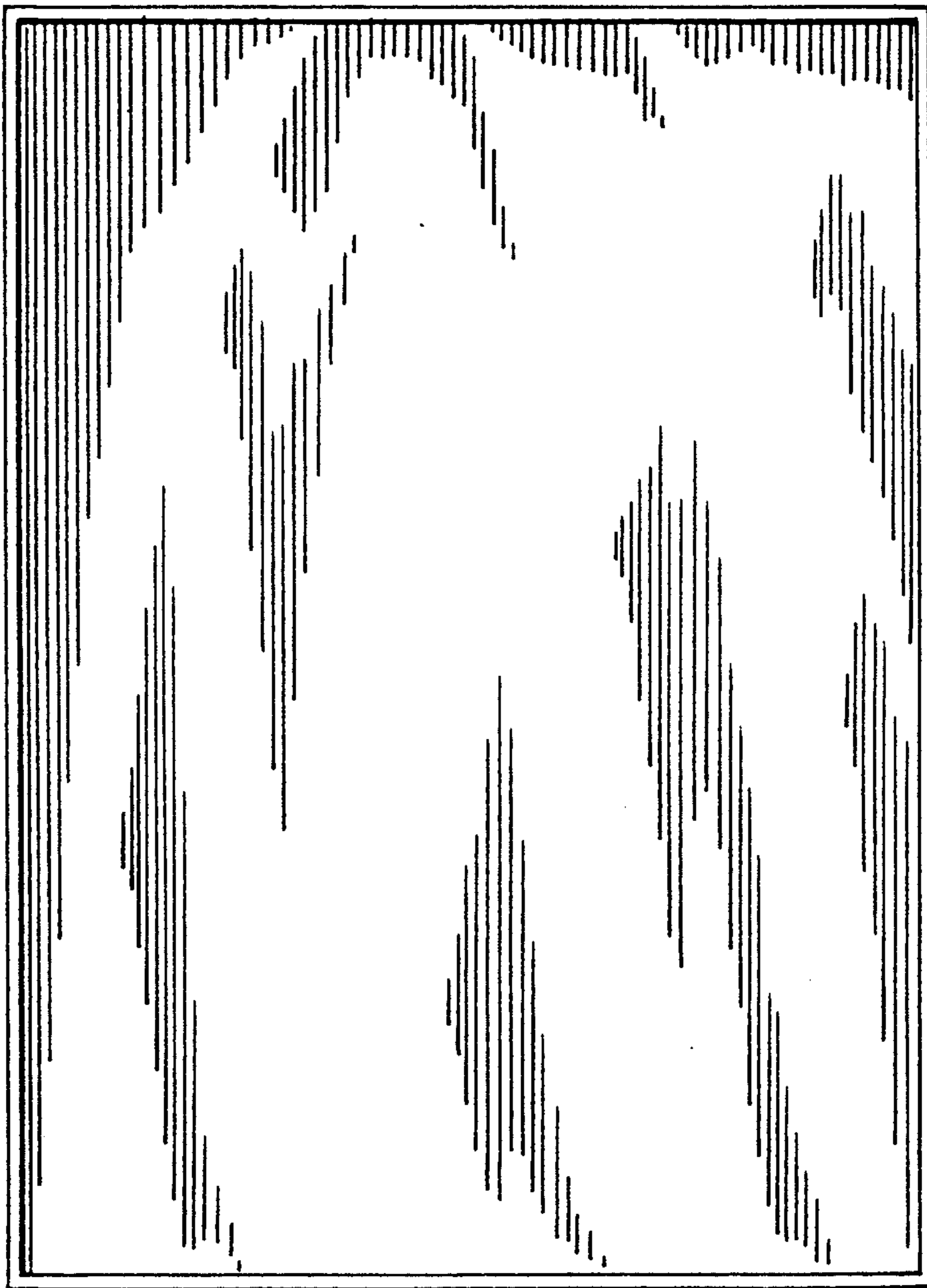


FIG. 4

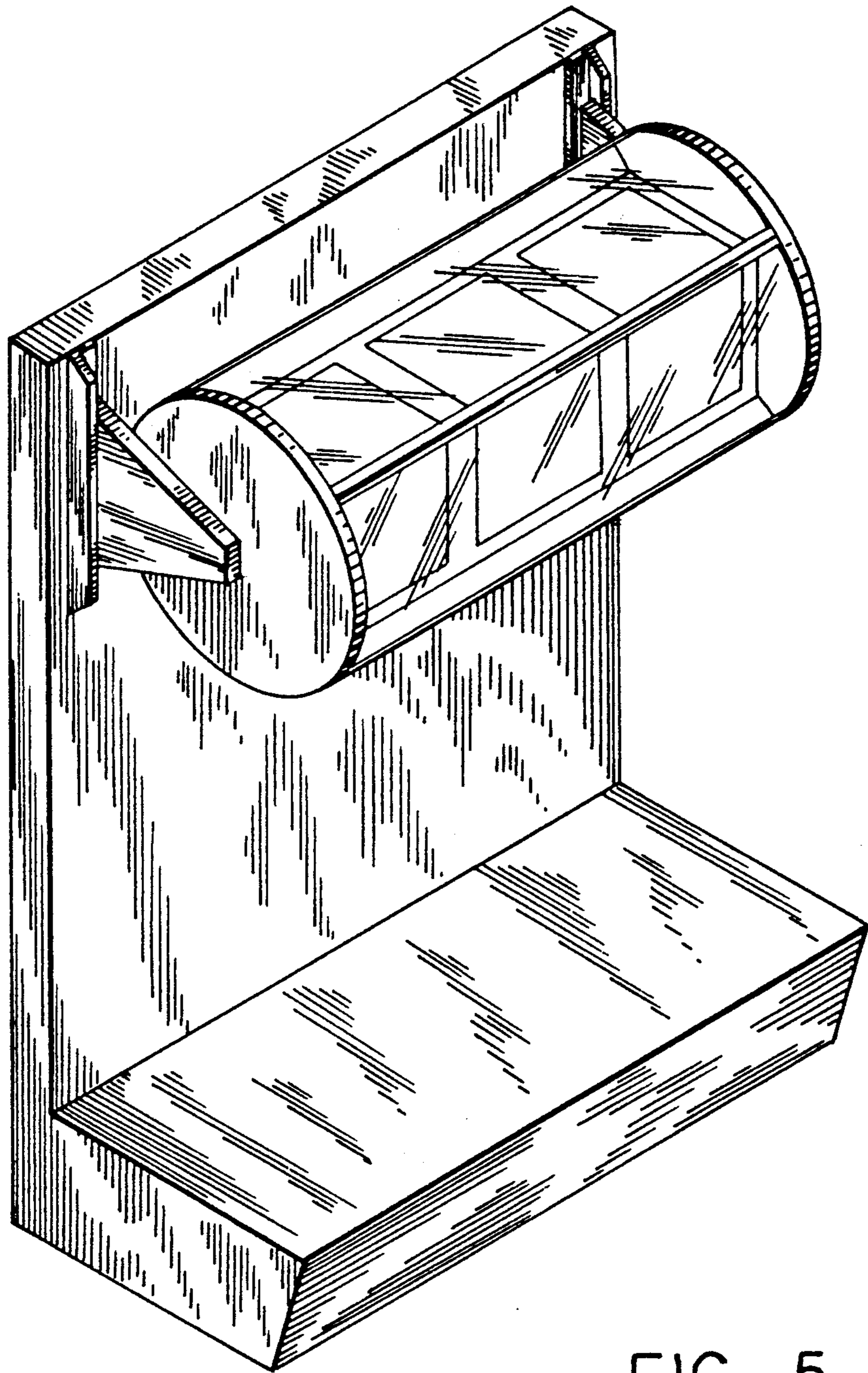


FIG. 5