



US00D333927S

United States Patent [19]

[11] Patent Number: **Des. 333,927**

Bello

[45] Date of Patent: **** Mar. 16, 1993**

[54] COMBINATION BED AND OTTOMAN

3,999,231 12/1976 Robins .
4,192,029 3/1980 Bond .
4,276,665 7/1981 Mis .

[76] Inventor: **Ralph E. Bello**, 9916 Dixie Hwy.,
Louisville, Ky. 40272

[**] Term: **14 Years**

OTHER PUBLICATIONS

American Hosp. Supply Corp. ©1955 p. 110 Item #E
at top right.

[21] Appl. No.: **473,380**

Primary Examiner—Alan P. Douglas

[22] Filed: **Feb. 1, 1990**

Assistant Examiner—J. E. Seeger

[52] U.S. Cl. **D6/383; D6/393;**
D6/349

Attorney, Agent, or Firm—Terry M. Gernstein

[58] Field of Search **D6/382-386,**
D6/388, 390-395, 505-508, 349, 503; 5/661, 2.1

[57] CLAIM

The ornamental design for a combination bed and otto-
man, as shown and described.

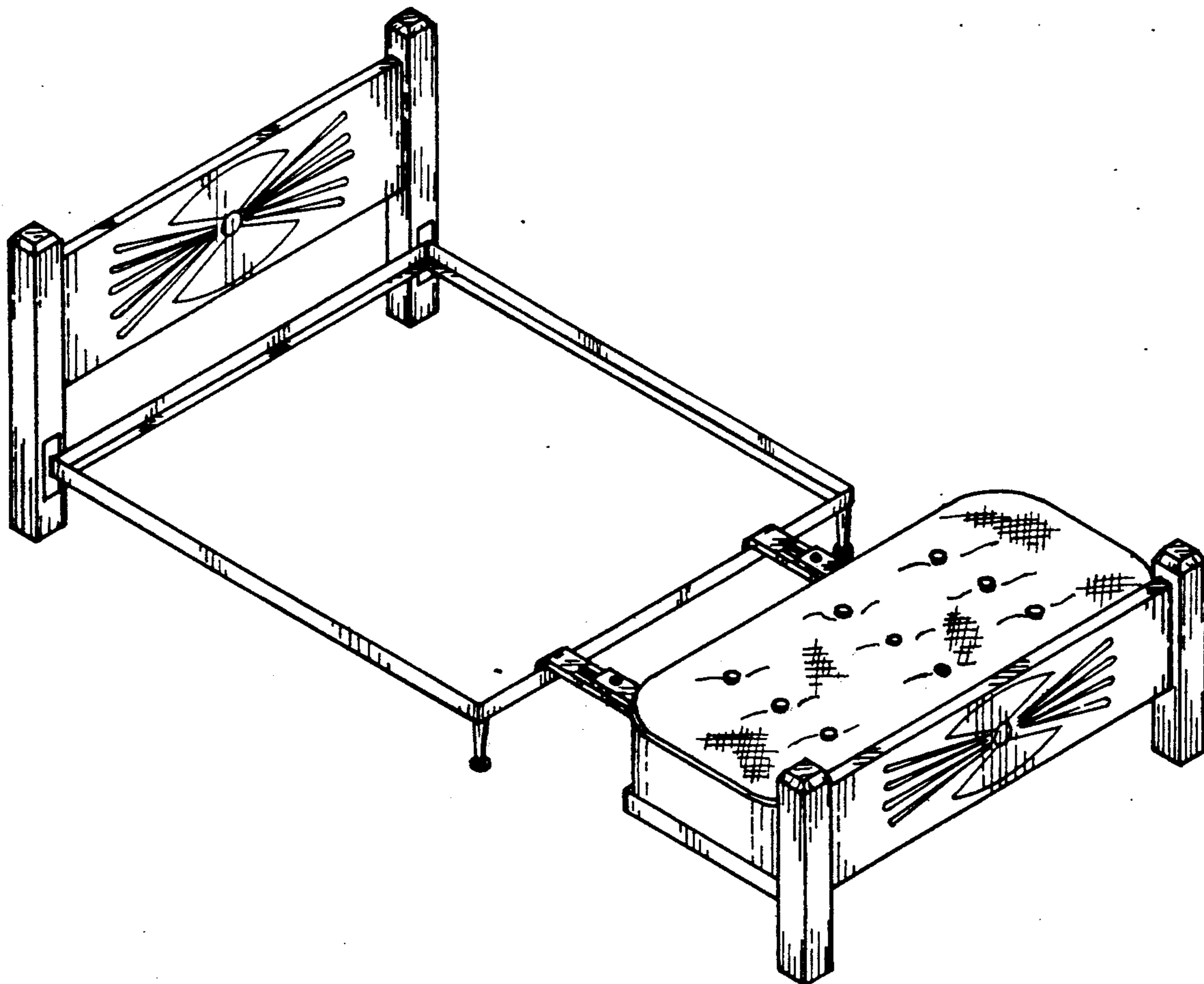
[56] References Cited

DESCRIPTION

U.S. PATENT DOCUMENTS

D. 69,240	1/1926	Stuart	D6/505
D. 83,878	4/1931	Rocic	D6/388
D. 110,893	8/1938	Davis	D6/384
D. 116,244	8/1939	Shurcliff	D6/393
D. 146,378	2/1947	Obrig	D6/349
D. 233,492	11/1974	Gilbert	D6/349
D. 241,485	9/1976	Blodee	D6/349 X
3,327,328	6/1967	Slivoski	5/661

FIG. 1 is a perspective view of a combination bed and ottoman showing my new design;
FIG. 2 is a left side elevational view thereof;
FIG. 3 is a right side elevational view thereof;
FIG. 4 is a front elevational view thereof;
FIG. 5 is a rear elevational view thereof;
FIG. 6 is a top plan view thereof; and,
FIG. 7 is a bottom view thereof.



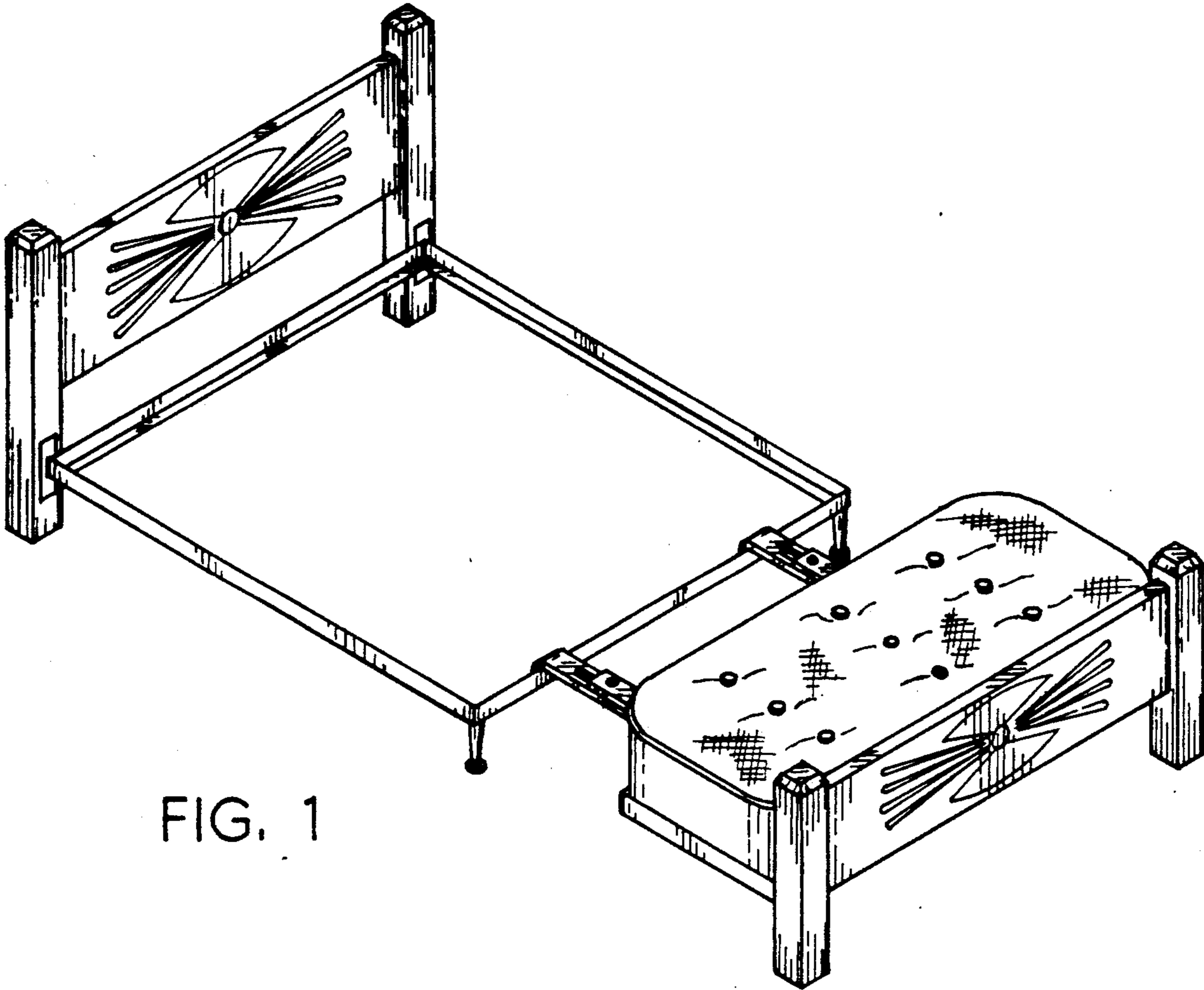


FIG. 1

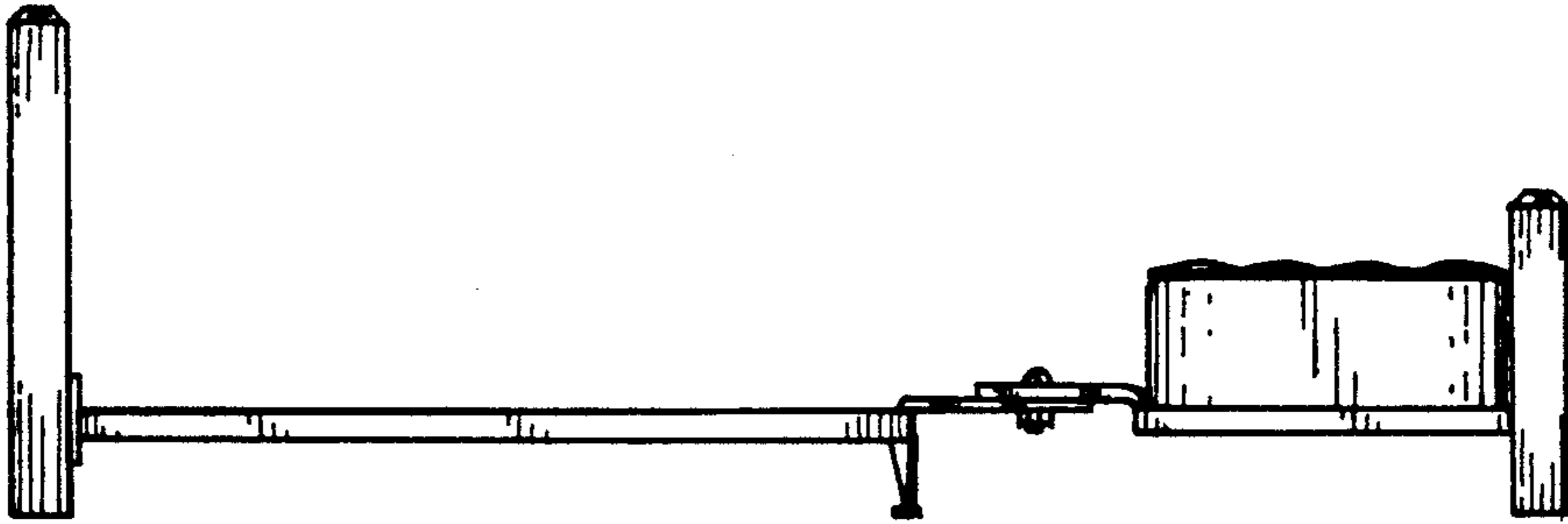


FIG. 2

FIG. 4

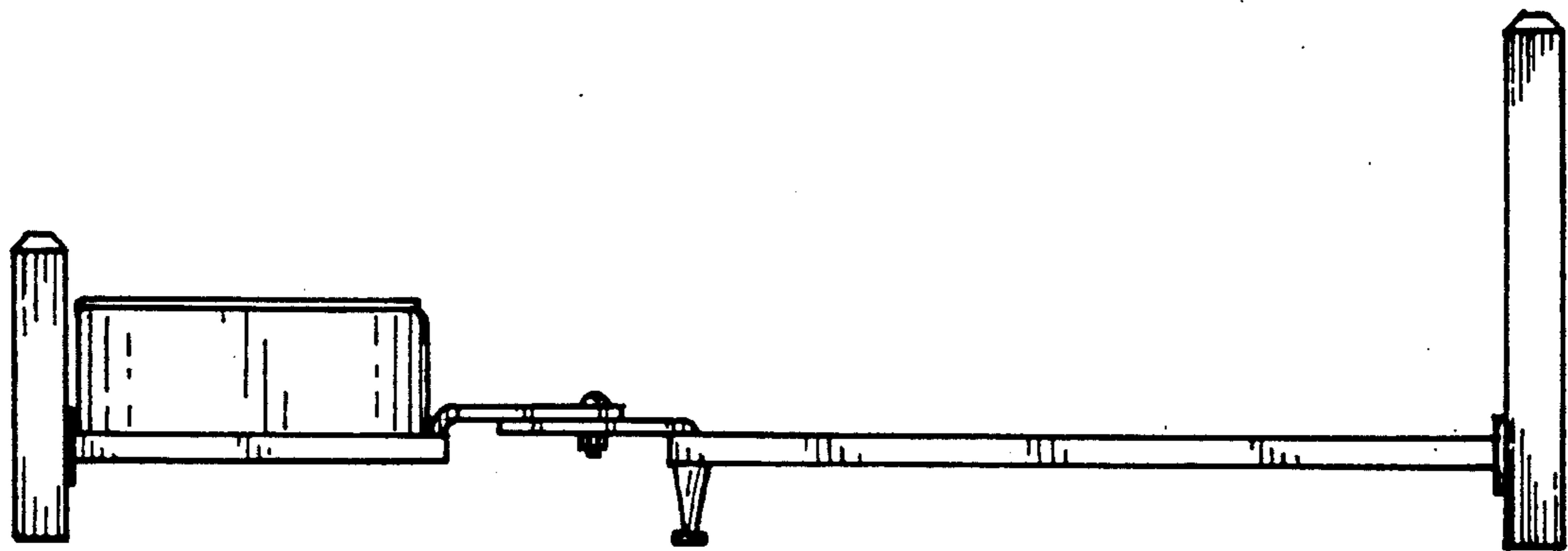
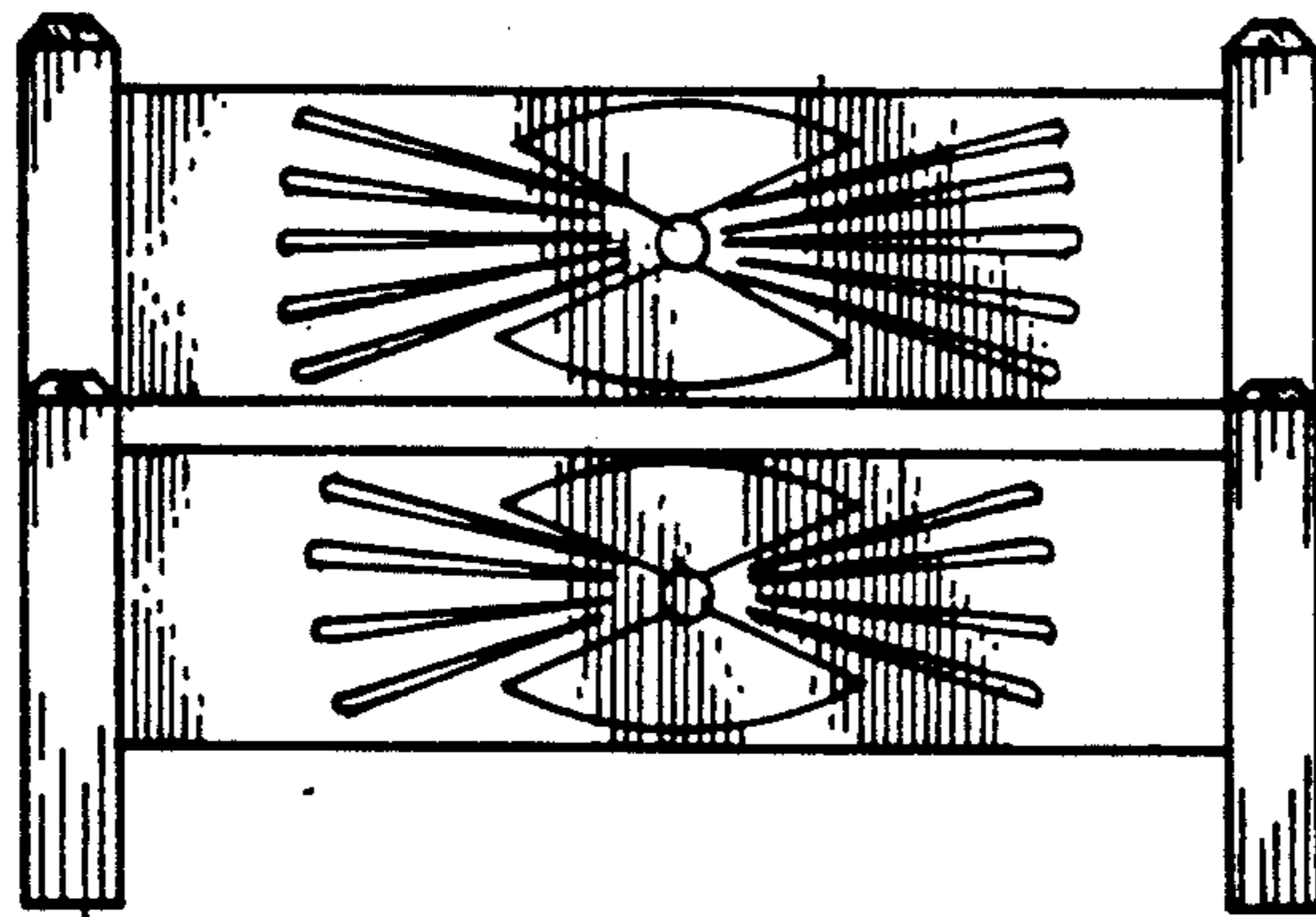
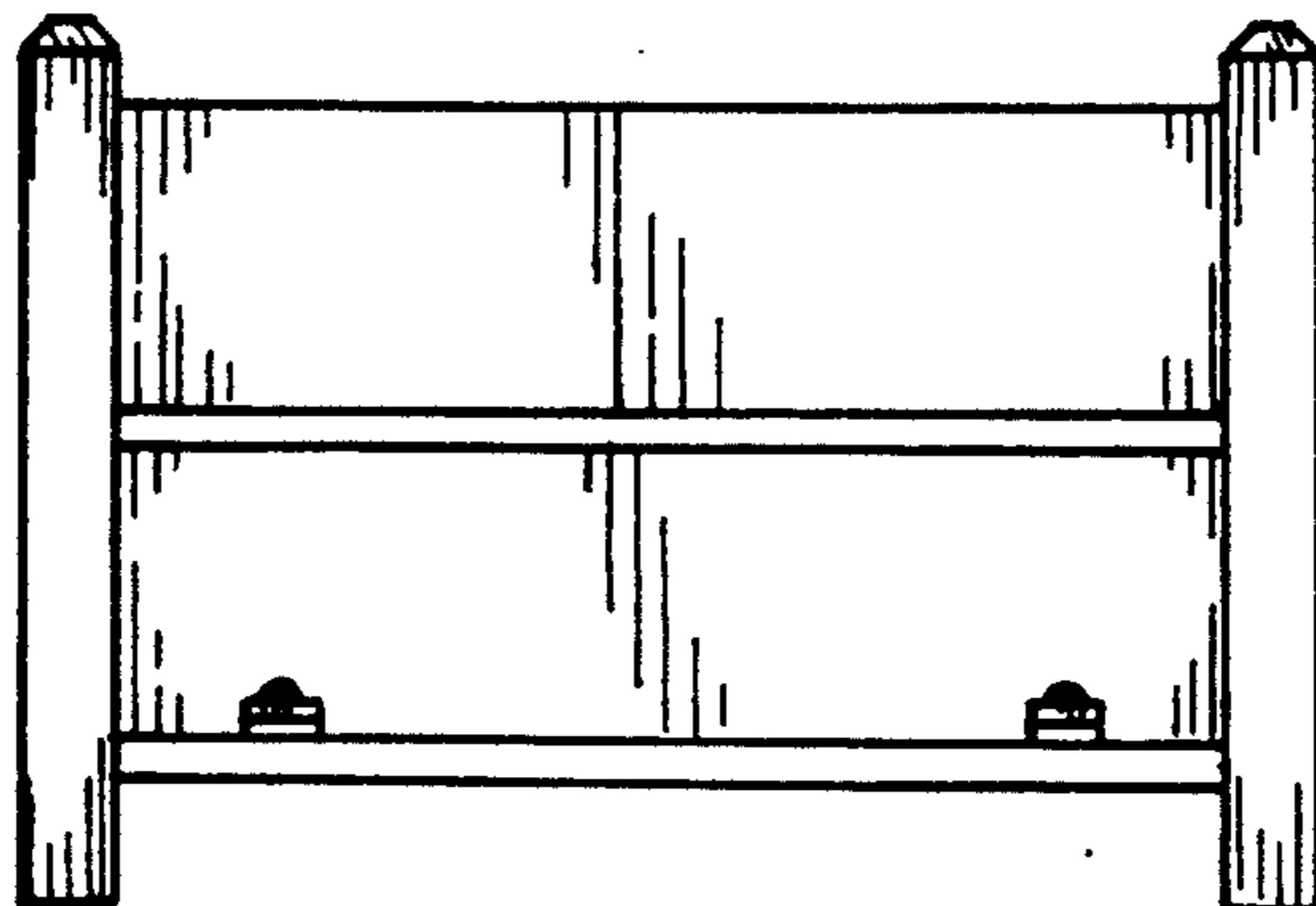


FIG. 3

FIG. 5



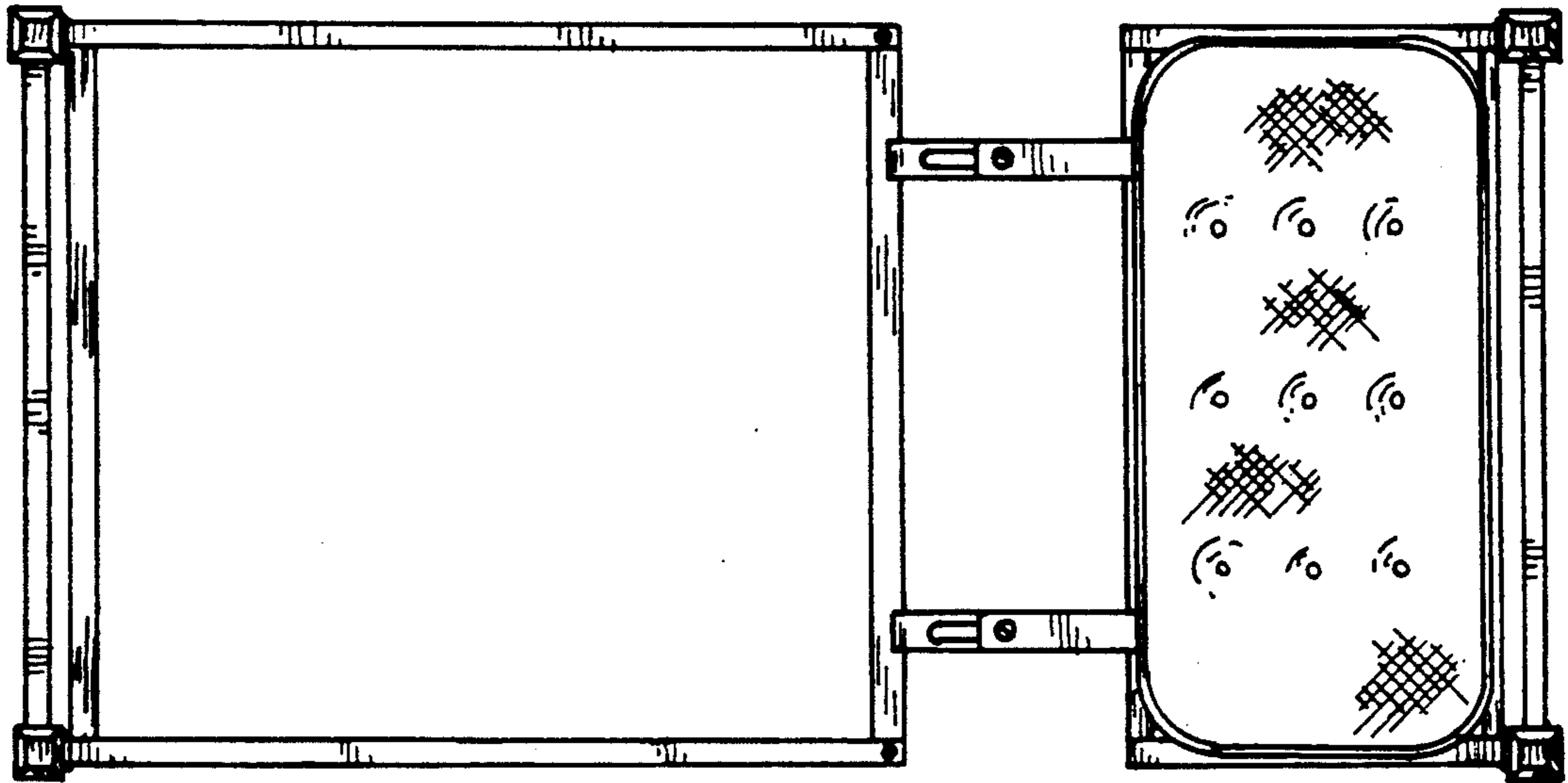


FIG. 6

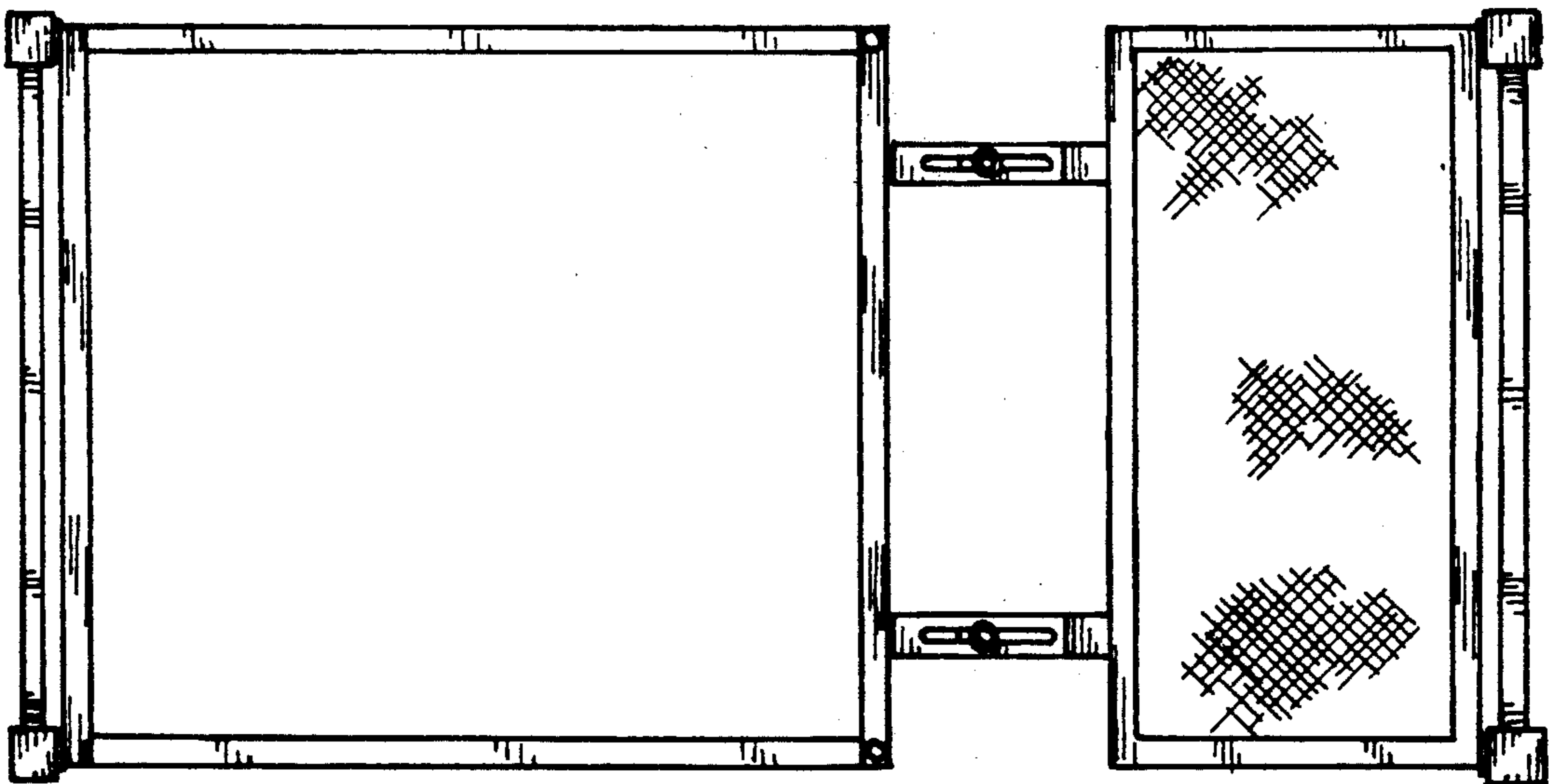


FIG. 7