



US00D333926S

# United States Patent [19] Hubert

[11] Patent Number: **Des. 333,926**  
[45] Date of Patent: **\*\* Mar. 16, 1993**

[54] **ARMCHAIR**

[75] Inventor: **Manfred Hubert, Meylan, France**

[73] Assignee: **Allibert S.A., Grenoble, France**

[\*\*] Term: **14 Years**

[21] Appl. No.: **481,108**

[22] Filed: **Feb. 16, 1990**

[30] **Foreign Application Priority Data**

Aug. 18, 1989 [XH] Hague ..... DM/014375

[52] U.S. Cl. .... **D6/374; D6/369;  
D6/379; D6/380**

[58] Field of Search ..... **D6/334, 369, 370, 374,  
D6/375, 376, 379, 380, 499, 500, 501, 502;  
297/DIG. 2**

[56] **References Cited**

**U.S. PATENT DOCUMENTS**

- D. 173,930 2/1955 Belden ..... D6/379
- D. 234,240 2/1975 Noda et al. .... D6/379
- D. 235,496 6/1975 Noda et al. .... D6/379
- D. 262,077 12/1981 Deconinck ..... D6/375 X
- D. 279,842 7/1985 Walker ..... D6/370
- D. 284,718 7/1986 Massonnet ..... D6/380 X
- D. 287,673 1/1987 Verschuren ..... D6/375 X
- D. 289,949 5/1987 Tron ..... D6/376
- D. 291,510 8/1987 Strousse et al. .... D6/380

- D. 292,046 9/1987 Walker ..... D6/370
- D. 303,591 9/1989 Grosfillex ..... D6/370
- D. 303,736 10/1989 Grosfillex ..... D6/379
- D. 304,001 10/1989 Grosfillex ..... D6/379
- D. 317,088 5/1991 Grosfillex ..... D6/379
- D. 324,786 3/1992 Saiger ..... D6/379

**OTHER PUBLICATIONS**

Contract Interiors, Aug. 1978, p. 46, chair at bottom right.

Interiors, Oct. 1984, p. 34, chair at bottom left.

Schöner Wohnen, Apr. 1985, p. 202-G, chair at top center.

*Primary Examiner*—Alan P. Douglas

*Assistant Examiner*—Gary D. Watson

*Attorney, Agent, or Firm*—Foley & Lardner

[57] **CLAIM**

The ornamental design for an armchair, as shown and described.

**DESCRIPTION**

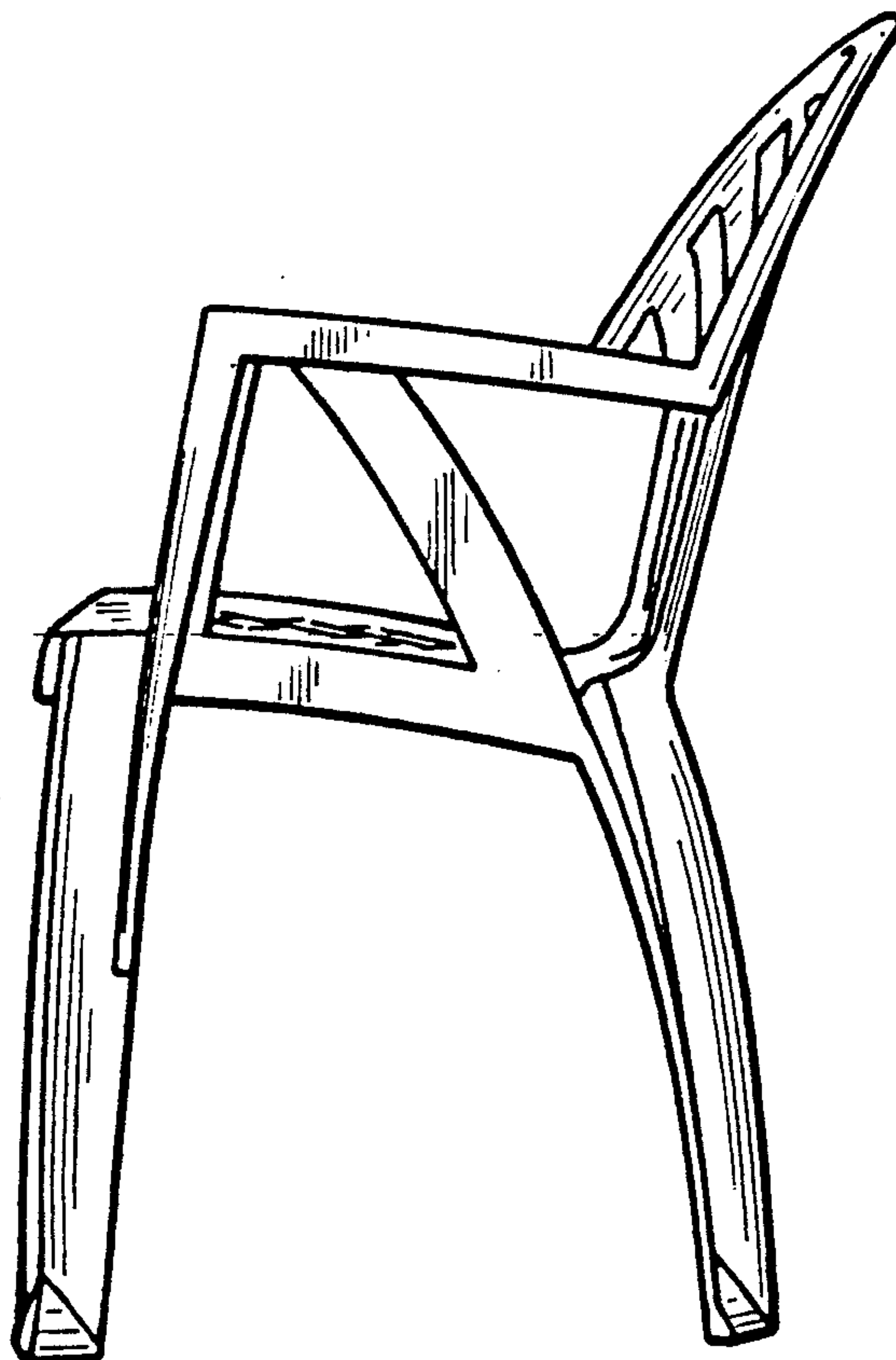
FIG. 1 is a front elevational view of an armchair showing my new design;

FIG. 2 is a rear elevational view;

FIG. 3 is a top plan view;

FIG. 4 is a bottom plan view; and,

FIG. 5 is a right side elevational view, the left side being a mirror image thereof.



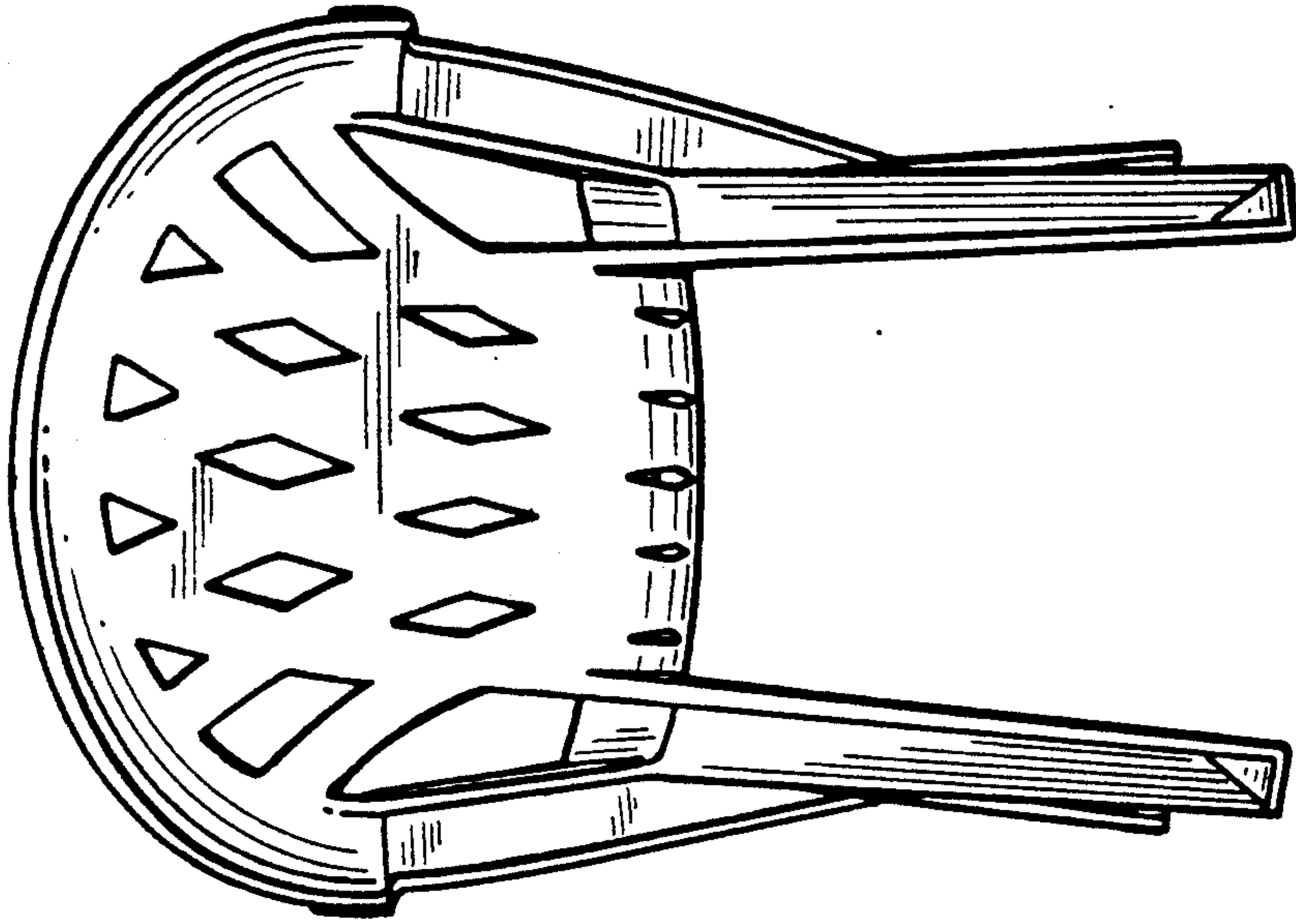


FIG. 2

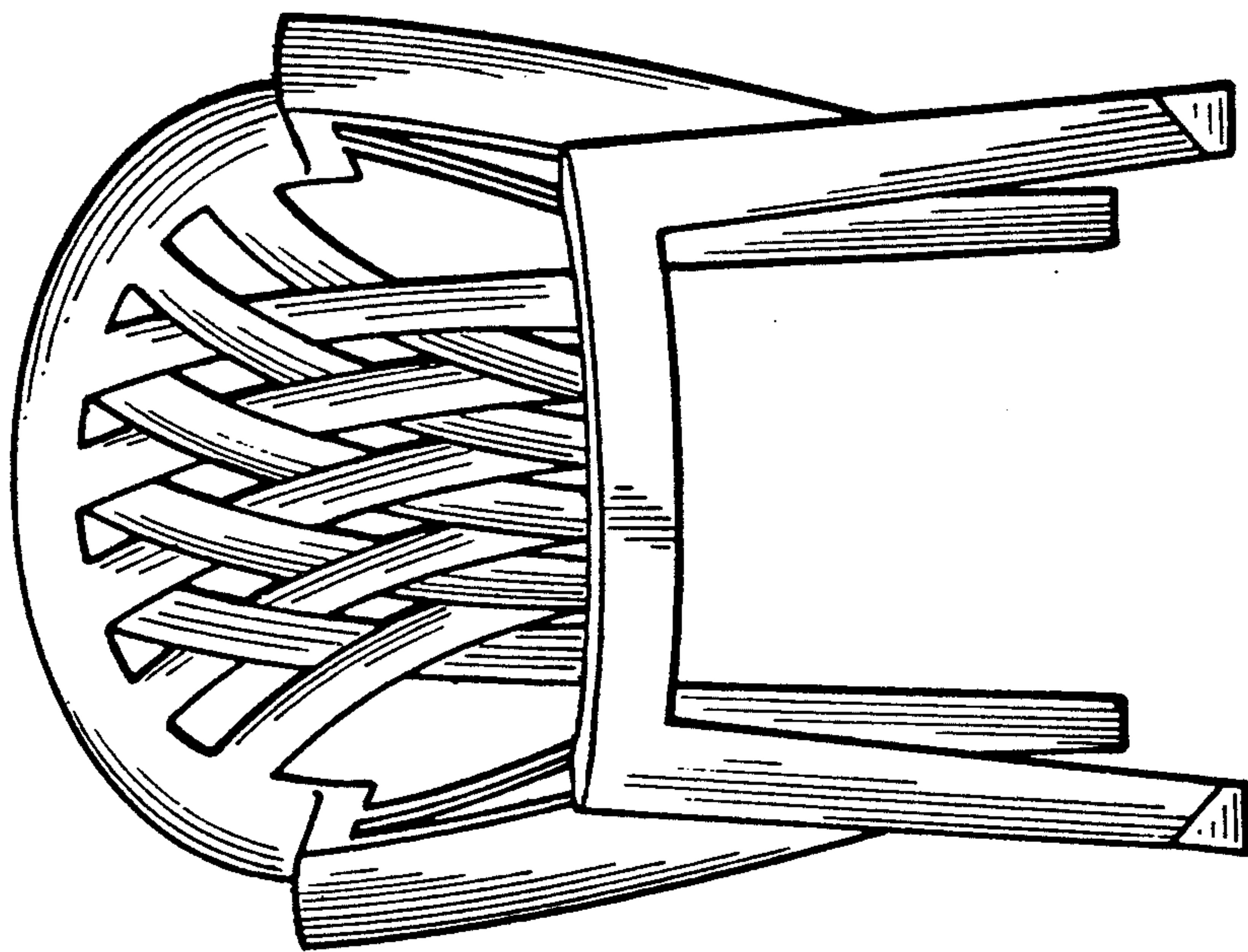


FIG. 1

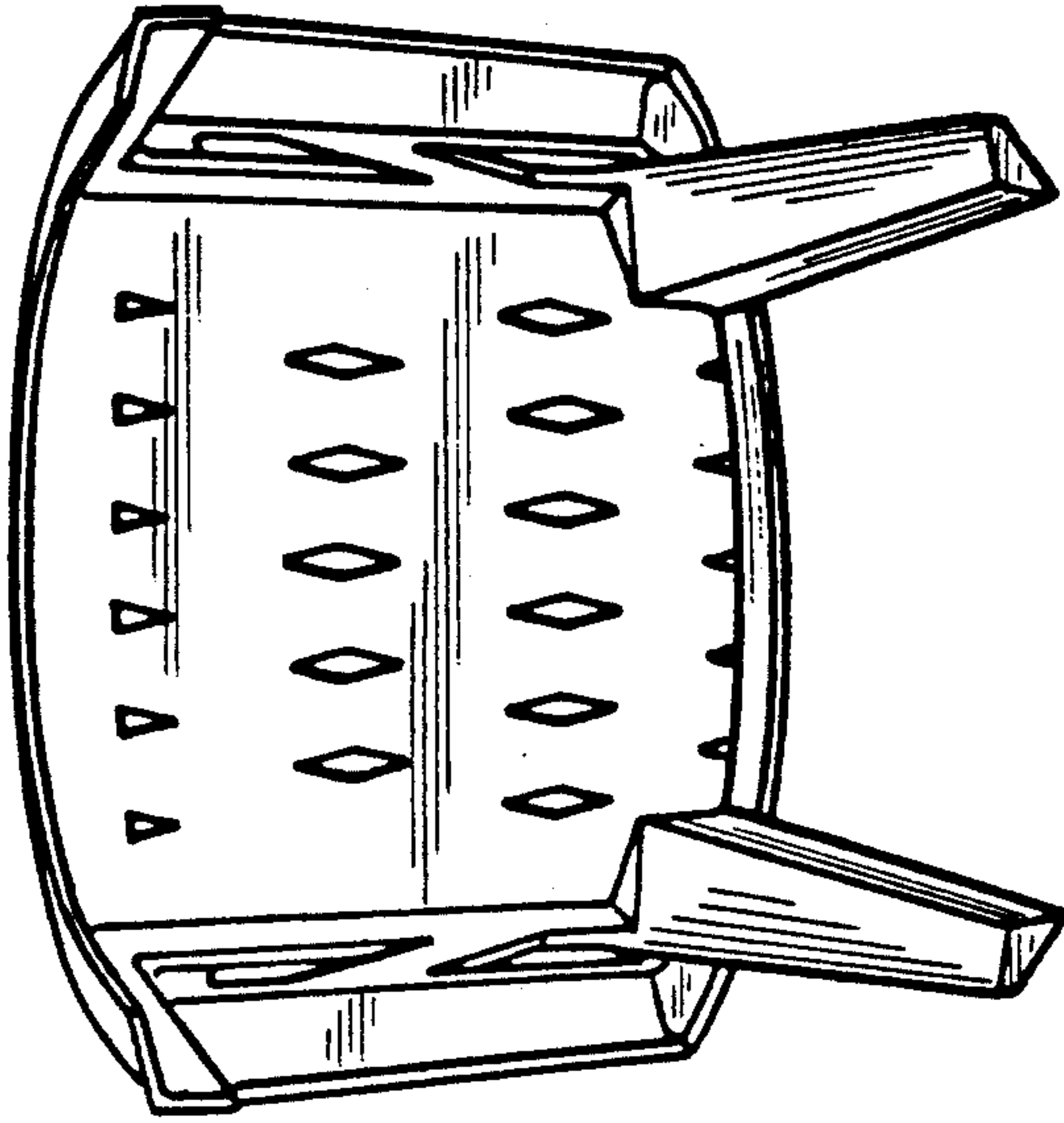


FIG. 4

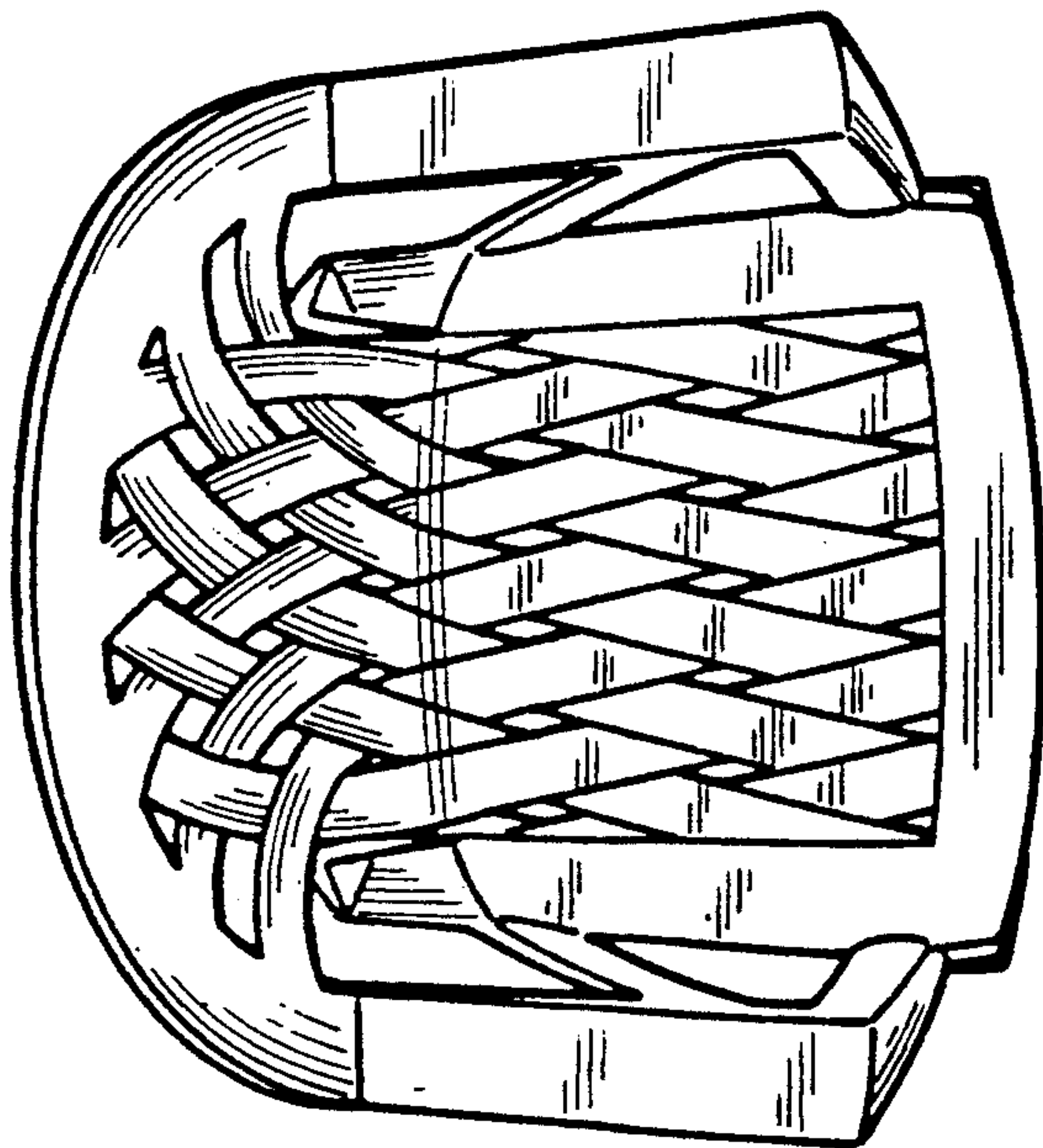


FIG. 3

FIG. 5

