



US00D333924S

# United States Patent [19]

[11] Patent Number: **Des. 333,924**

Parfitt et al.

[45] Date of Patent: **\*\* Mar. 16, 1993**

[54] **VEHICLE SEAT MOUNTING MECHANISM**

[75] Inventors: **Michael J. Parfitt; Frank Parfitt,**  
both of Acacia Ridge, Australia

[73] Assignee: **Transaid Pty. Ltd.,** Acacia Ridge,  
Australia

[\*\*] Term: **14 Years**

[21] Appl. No.: **442,683**

[22] Filed: **Nov. 29, 1989**

[30] **Foreign Application Priority Data**

May 30, 1989 [AU] Australia ..... 1721/89  
[52] U.S. Cl. .... **D6/356**  
[58] Field of Search ..... D6/334, 335, 356, 500,  
D6/501, 502

[56] **References Cited**

**U.S. PATENT DOCUMENTS**

D. 296,047 6/1988 Kucera et al. .... D6/356 X  
D. 315,255 3/1991 Beerman ..... D6/356  
3,771,827 11/1973 Winfree ..... D6/356 X  
3,913,974 10/1975 Bowen ..... D6/356 X

**OTHER PUBLICATIONS**

*J. C. Whitney & Co. Cat.*, p. "Swiveling Flip-up Pedestal", right center of page.

*J. C. Whitney & Co. Cat.*, p. 48, "Reclining Swivel Pedestal," center of page.

*J. C. Whitney & Co. Cat.*, p. 48, "Swivel Pedestal," left center of page.

*Primary Examiner*—Alan P. Douglas

*Assistant Examiner*—Monica A. Hannon

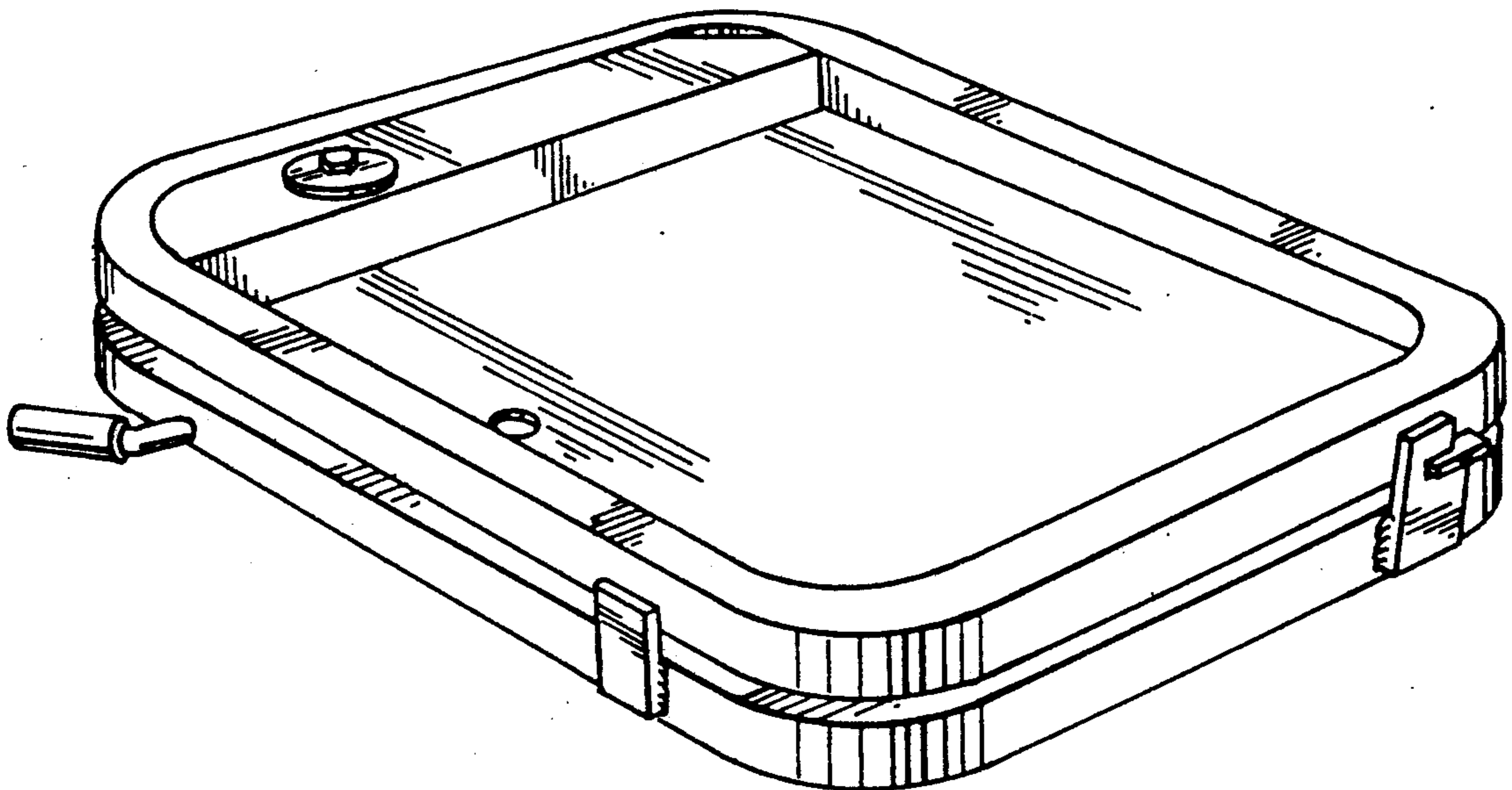
*Attorney, Agent, or Firm*—Kimmel, Crowell & Weaver

[57] **CLAIM**

The ornamental design for a vehicle seat mounting mechanism, as shown and described.

**DESCRIPTION**

FIG. 1 is a top plan view of a vehicle seat mounting mechanism showing our new design;  
FIG. 2 is a bottom plan view thereof;  
FIG. 3 is a side elevational view thereof;  
FIG. 4 is a rear elevational view thereof;  
FIG. 5 is a front elevational view thereof;  
FIG. 6 is a top plan view with the mechanism in an open position thereof;  
FIG. 7 is a bottom plan view with the mechanism in an open position thereof;  
FIG. 8 is a top perspective view with the mechanism in an open position thereof;  
FIG. 9 is a top perspective view thereof;  
FIG. 10 is a bottom perspective view thereof; and,  
FIG. 11 is a bottom perspective view with the mechanism in an open position thereof.



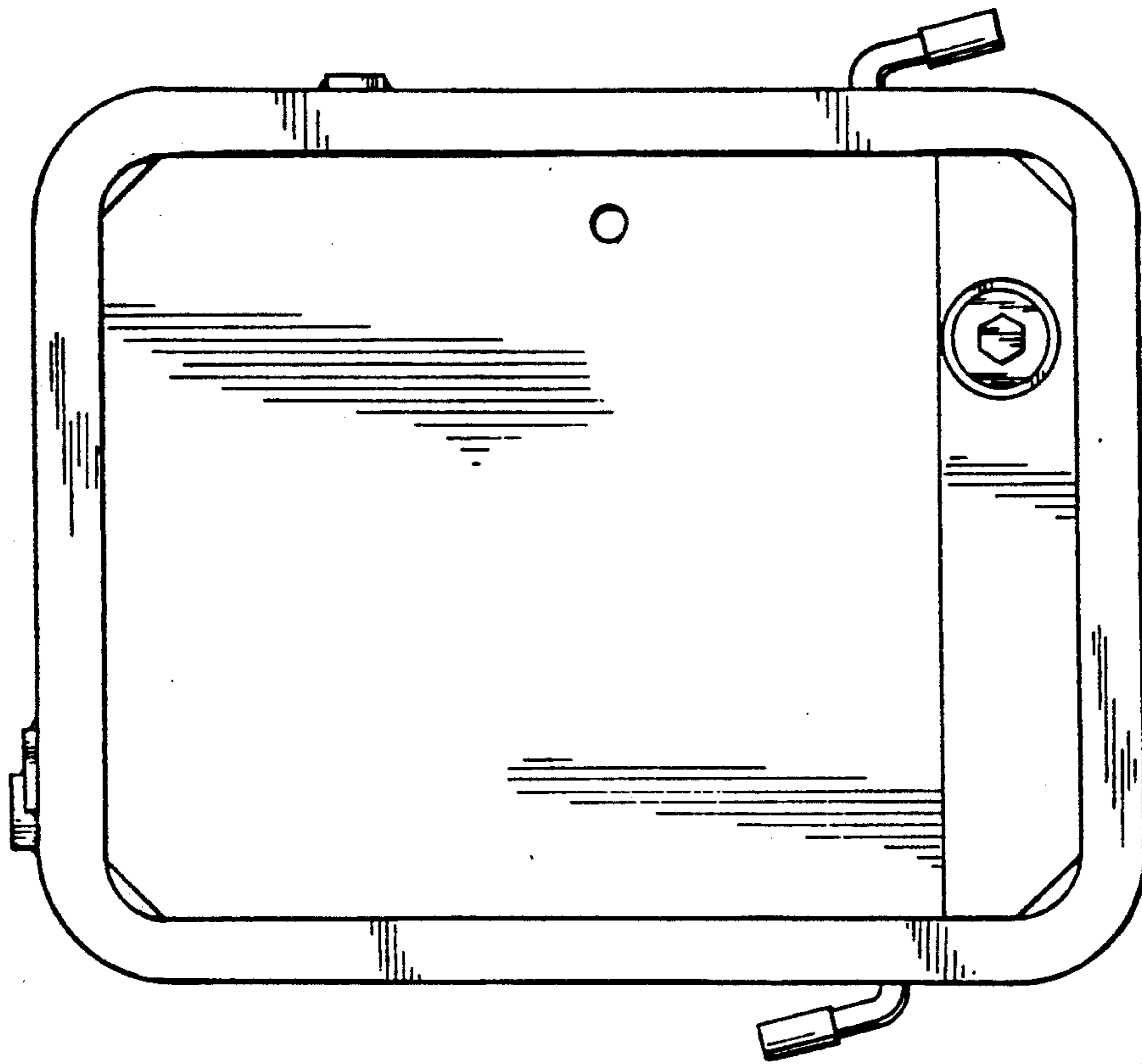


FIG. 1.

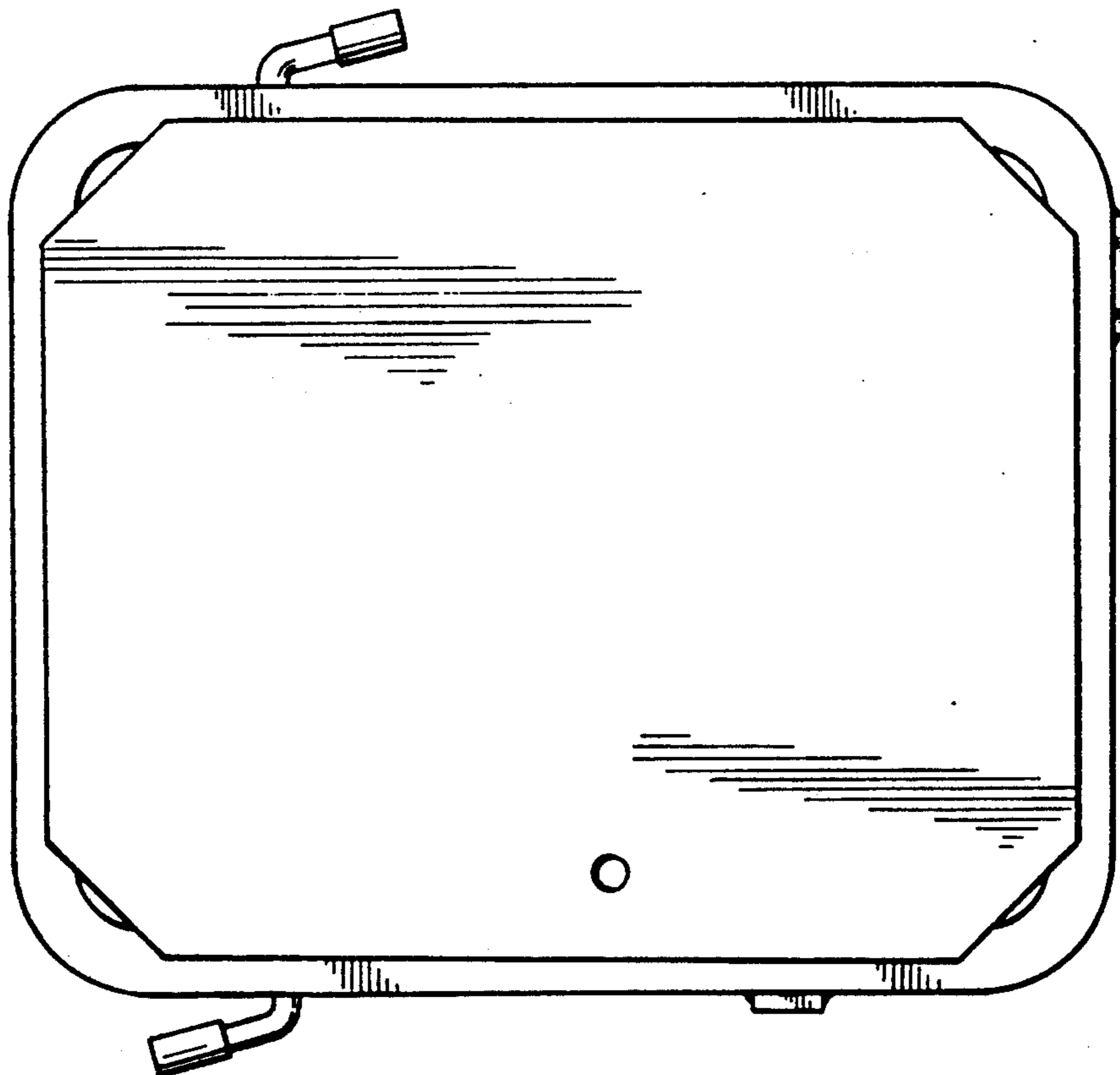
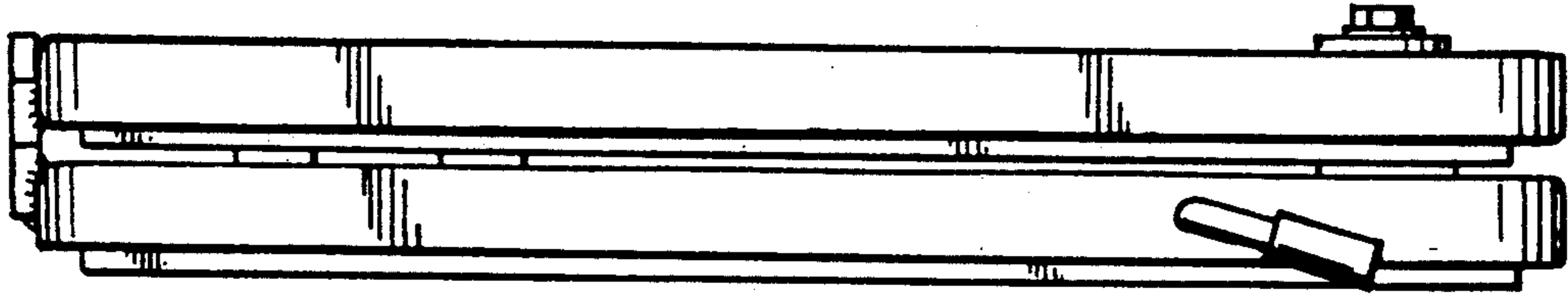
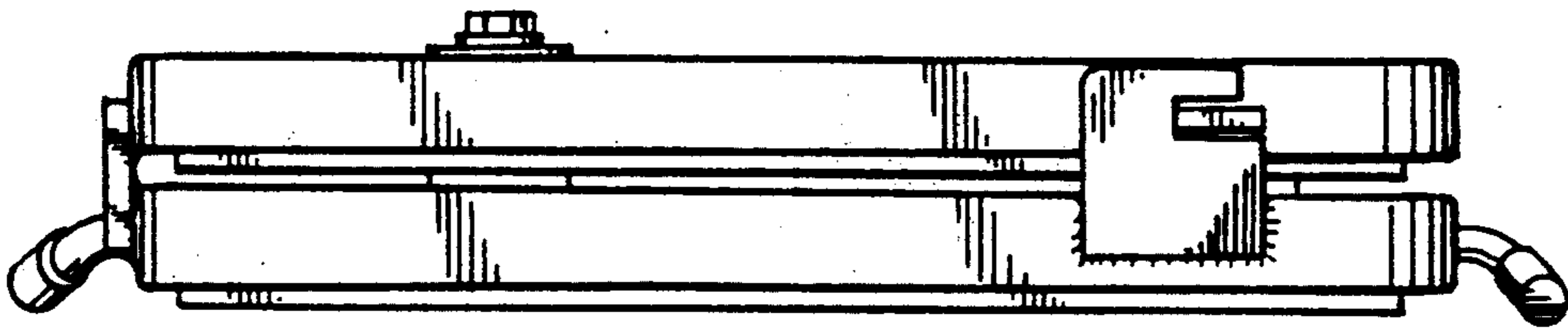


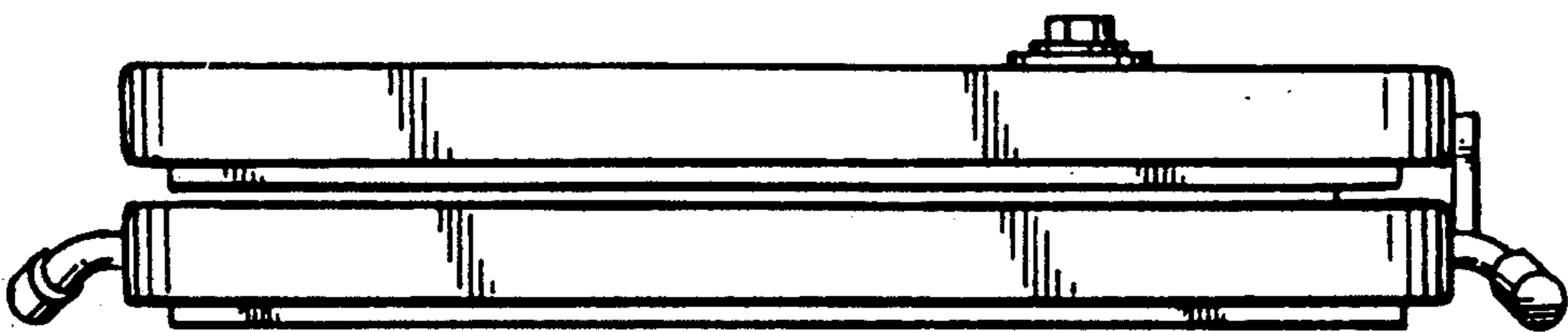
FIG. 2.



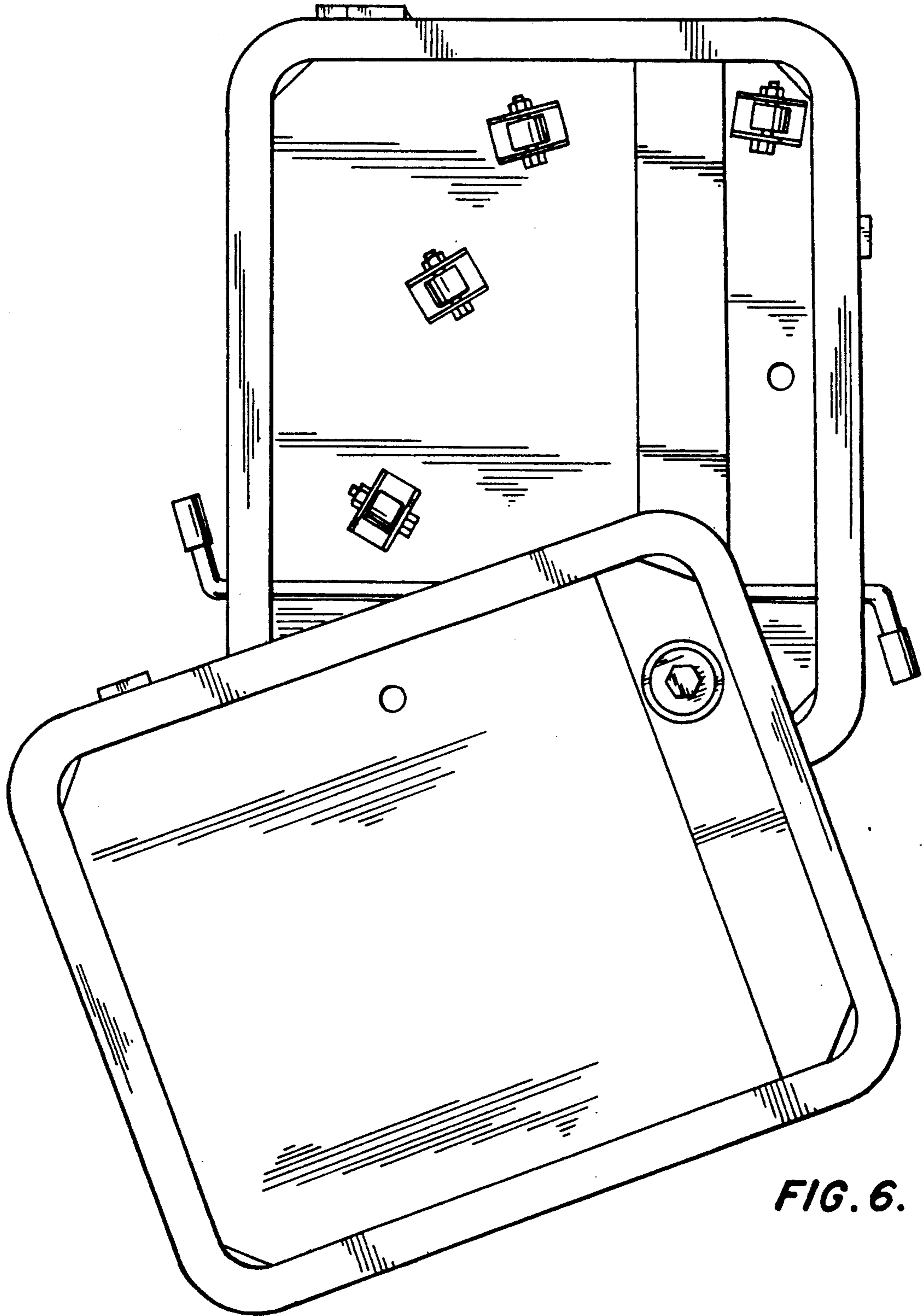
*FIG. 3.*



*FIG. 4.*



*FIG. 5.*



**FIG. 6.**

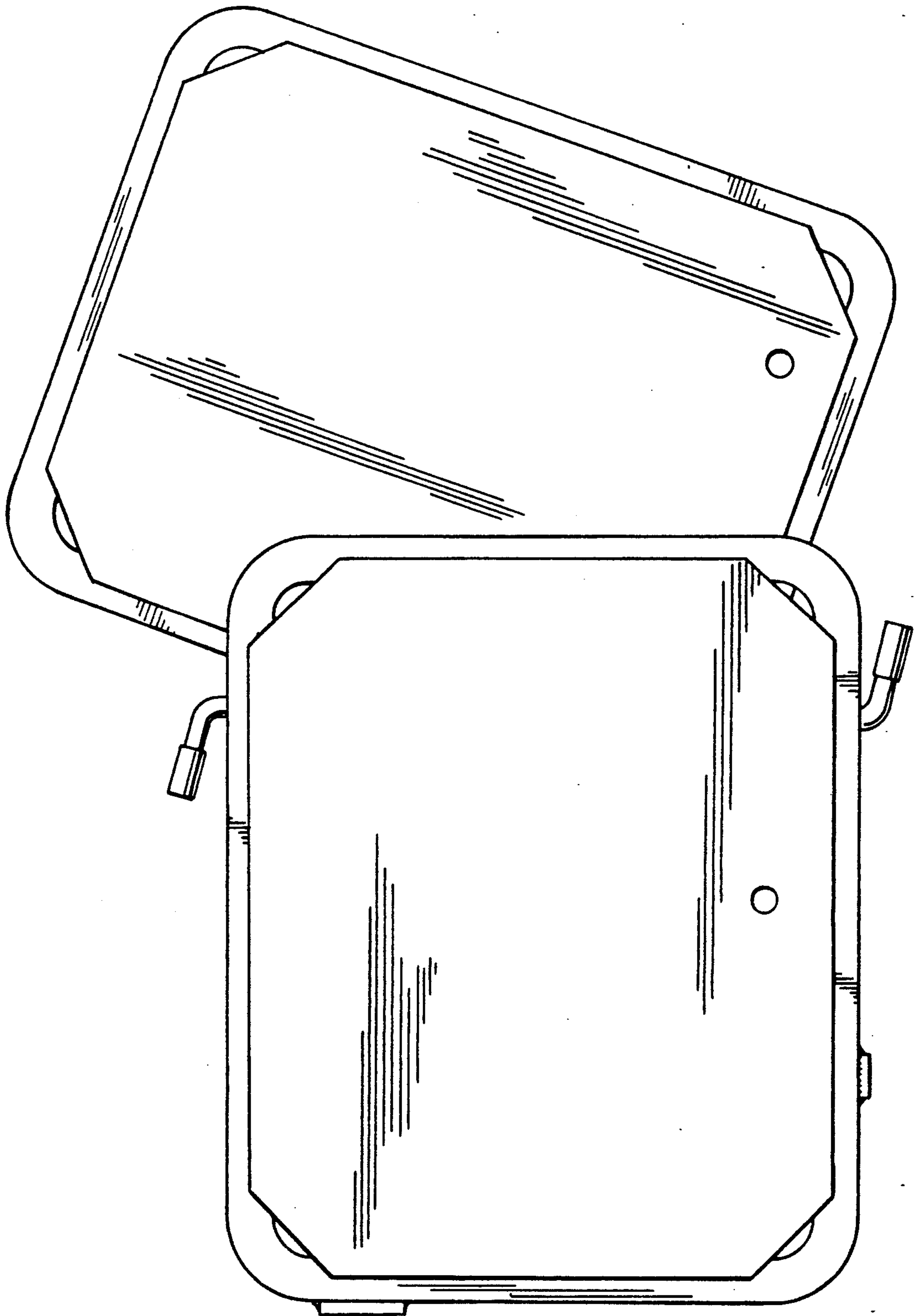
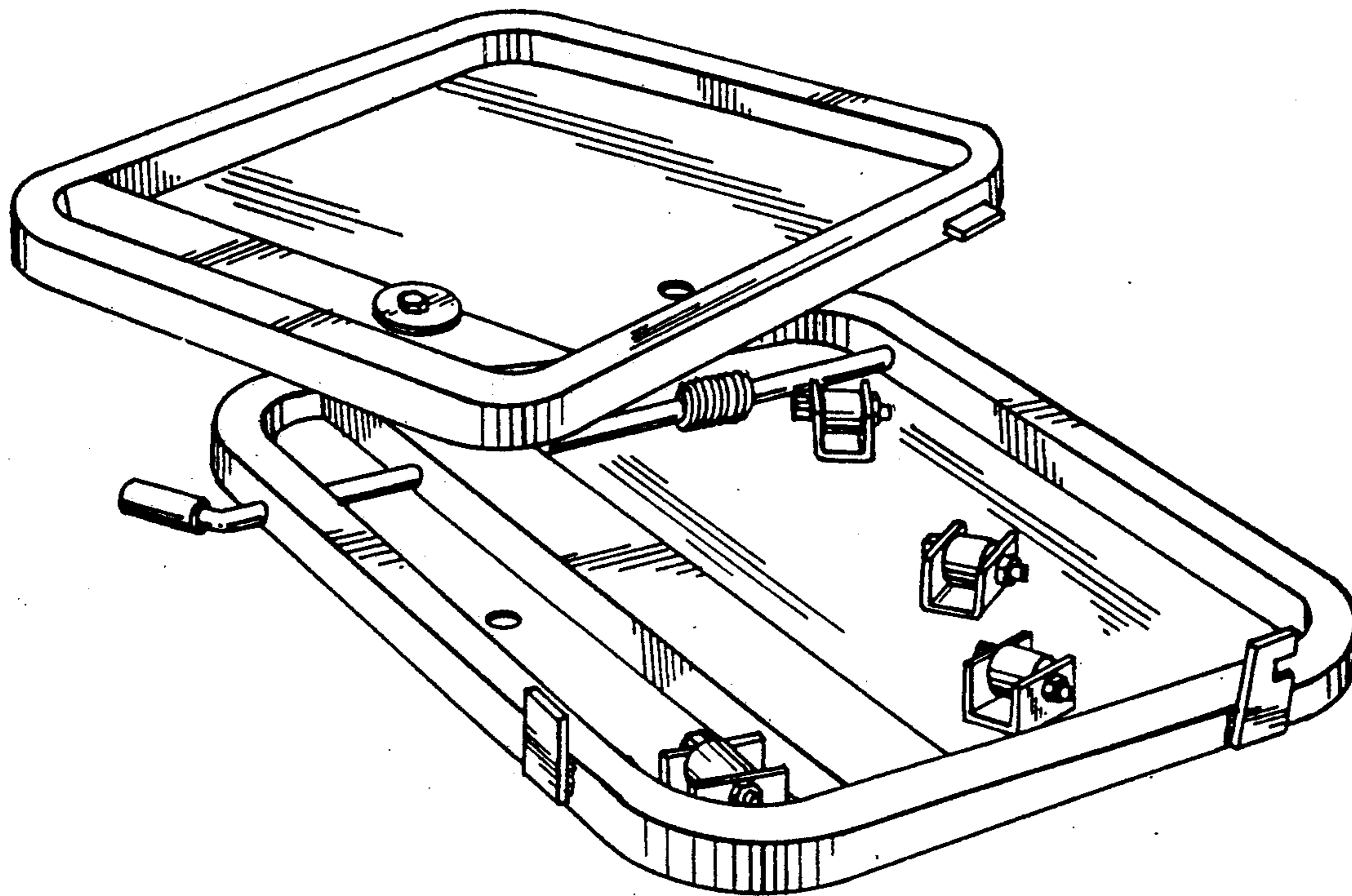
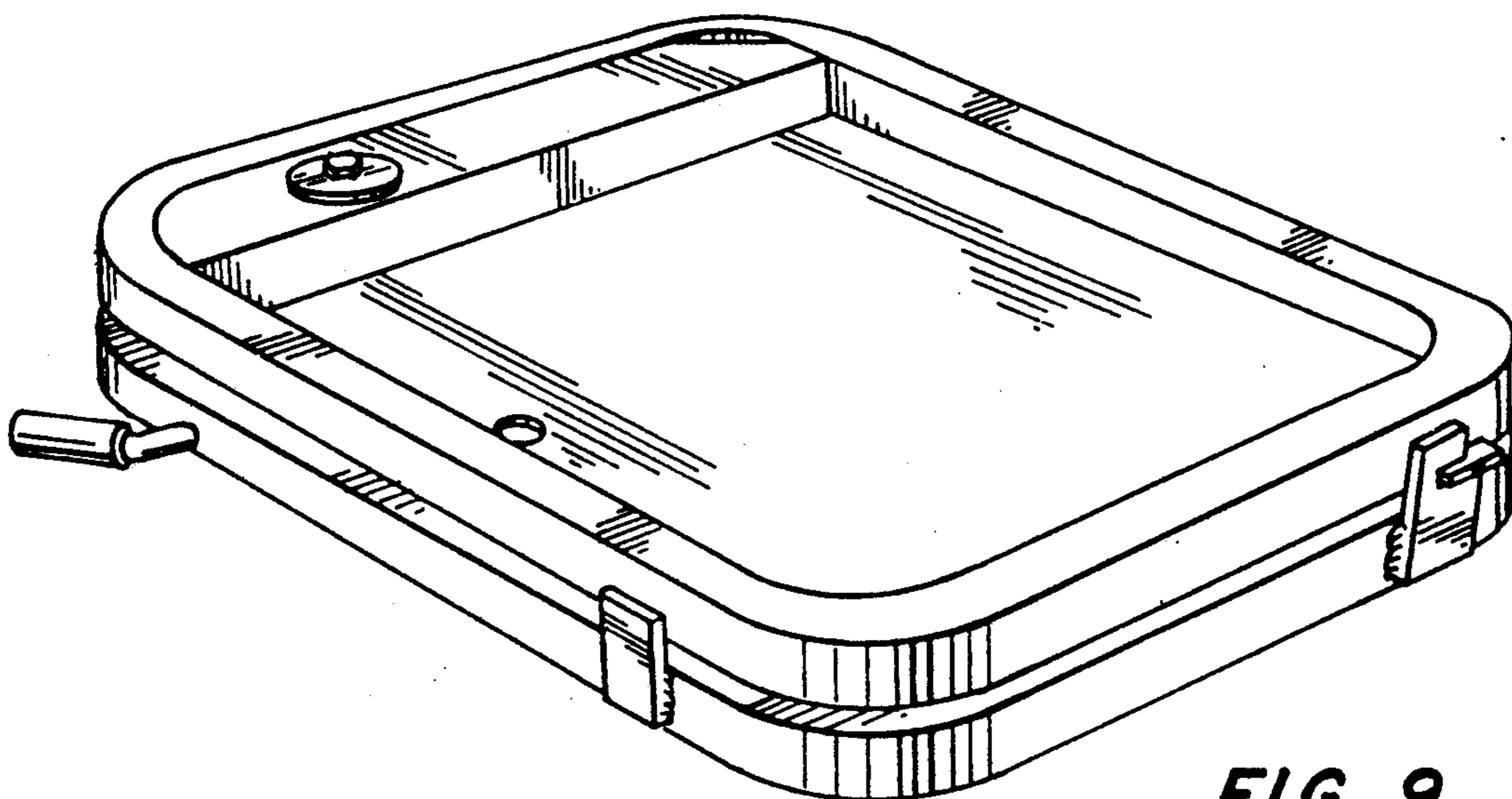


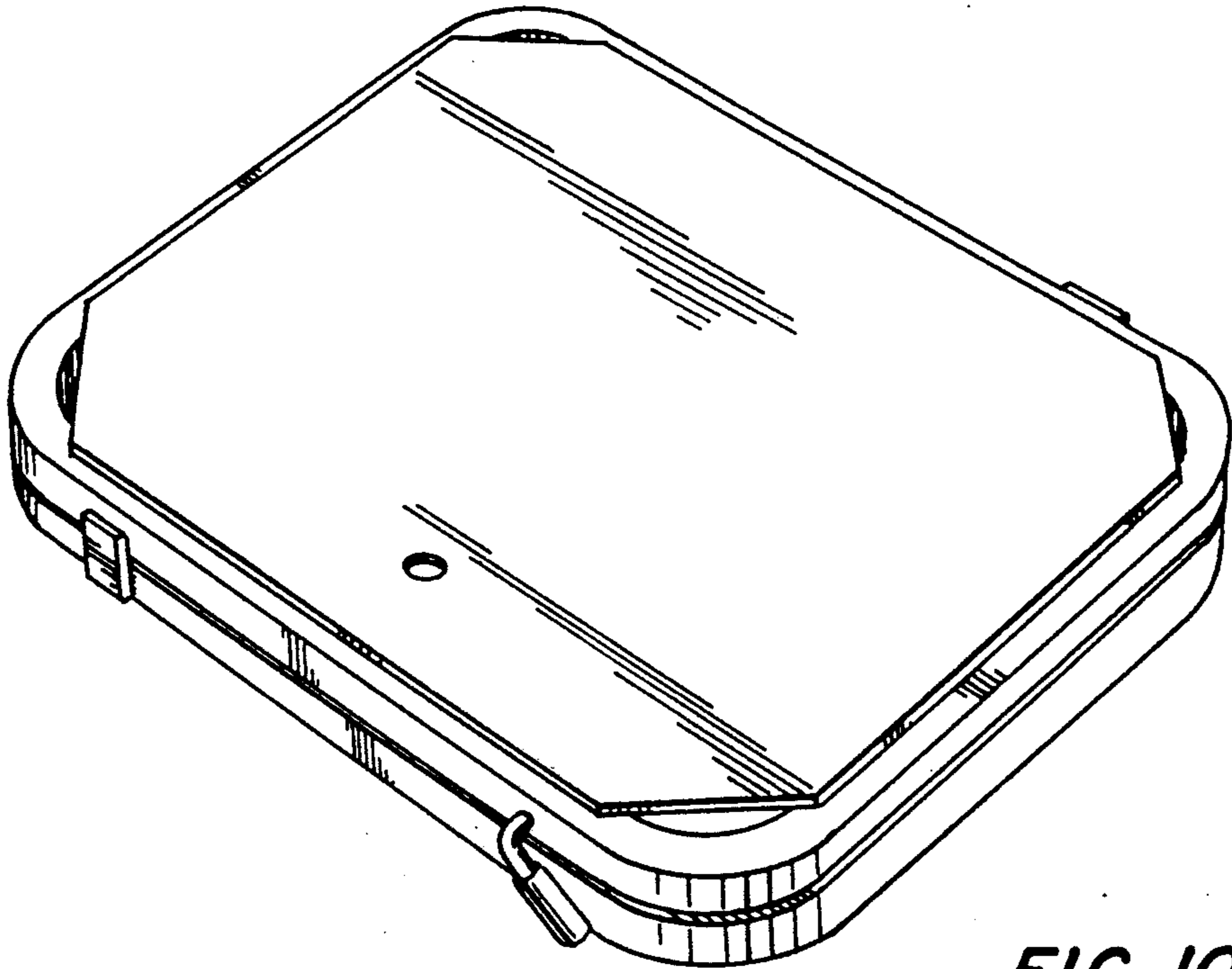
FIG. 7.



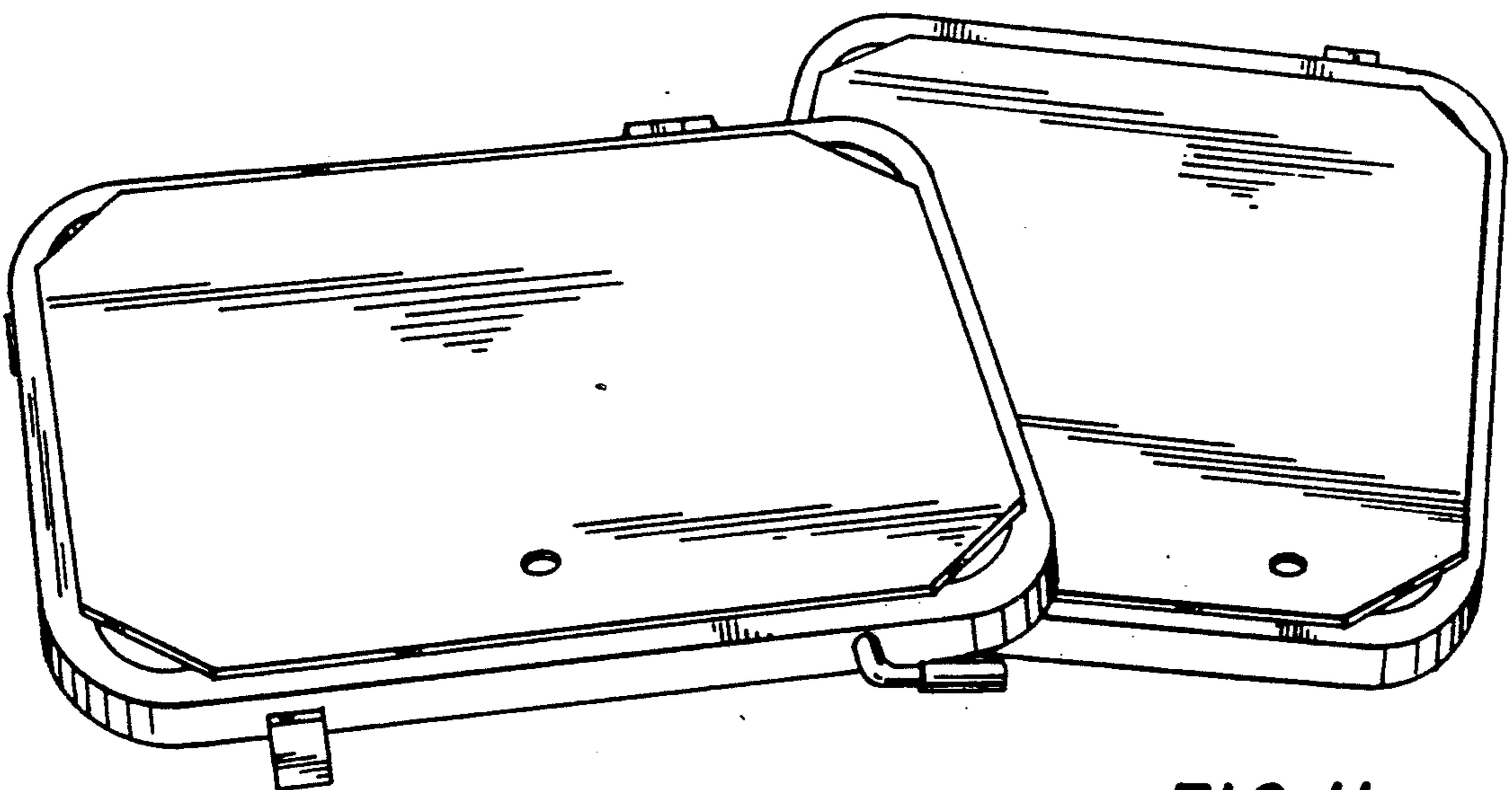
**FIG. 8.**



**FIG. 9.**



*FIG. 10.*



*FIG. 11.*