



US00D333921S

# United States Patent [19]

[11] Patent Number: **Des. 333,921**

Vetter

[45] Date of Patent: **\*\* Mar. 16, 1993**

## [54] COMBINED DISHWASHING BRUSH AND SCRAPER

[75] Inventor: **Roland Vetter,**  
Giengen-Scachsenhausen, Fed. Rep.  
of Germany

[73] Assignee: **Schwaebische Buerstenfabrik Hans  
Haug KG, Koenigsbrunn, Fed. Rep.  
of Germany**

[\*\*] Term: **14 Years**

[21] Appl. No.: **891,462**

[22] Filed: **May 29, 1992**

### Related U.S. Application Data

[62] Division of Ser. No. 376,806, Jul. 7, 1989, Pat. No. Des.  
326,778.

### [30] Foreign Application Priority Data

Jan. 14, 1989 [DE] Fed. Rep. of Germany ..... 8900362

[52] U.S. Cl. .... **D4/118; D4/132**

[58] Field of Search ..... **D4/114-116,  
D4/118, 127, 130-138, 199; D28/63; D32/40,  
42, 45; 15/104.92-104.94, 105-106, 111, 143 R,  
159 R, 159 A, 160; 401/268-291**

## [56] References Cited

### U.S. PATENT DOCUMENTS

D. 180,204	4/1957	Slough .....	D4/115
D. 195,820	8/1963	Williams .....	D4/115
D. 241,091	8/1976	Ahlstrom .....	D4/133
D. 284,607	8/1986	Muller .....	D28/63
D. 292,949	12/1987	Vetter .....	D4/116
4,360,940	11/1982	Smith .....	15/160

*Primary Examiner*—Wallace R. Burke

*Assistant Examiner*—Lavone D. Tabor

*Attorney, Agent, or Firm*—Flynn, Thiel, Boutell & Tanis

## [57] CLAIM

The ornamental design for a combined dishwashing brush and scraper, as shown and described.

## DESCRIPTION

FIG. 1 is a left side elevational view of a combined dishwashing brush and scraper showing my new design, the right side being a mirror image thereof;

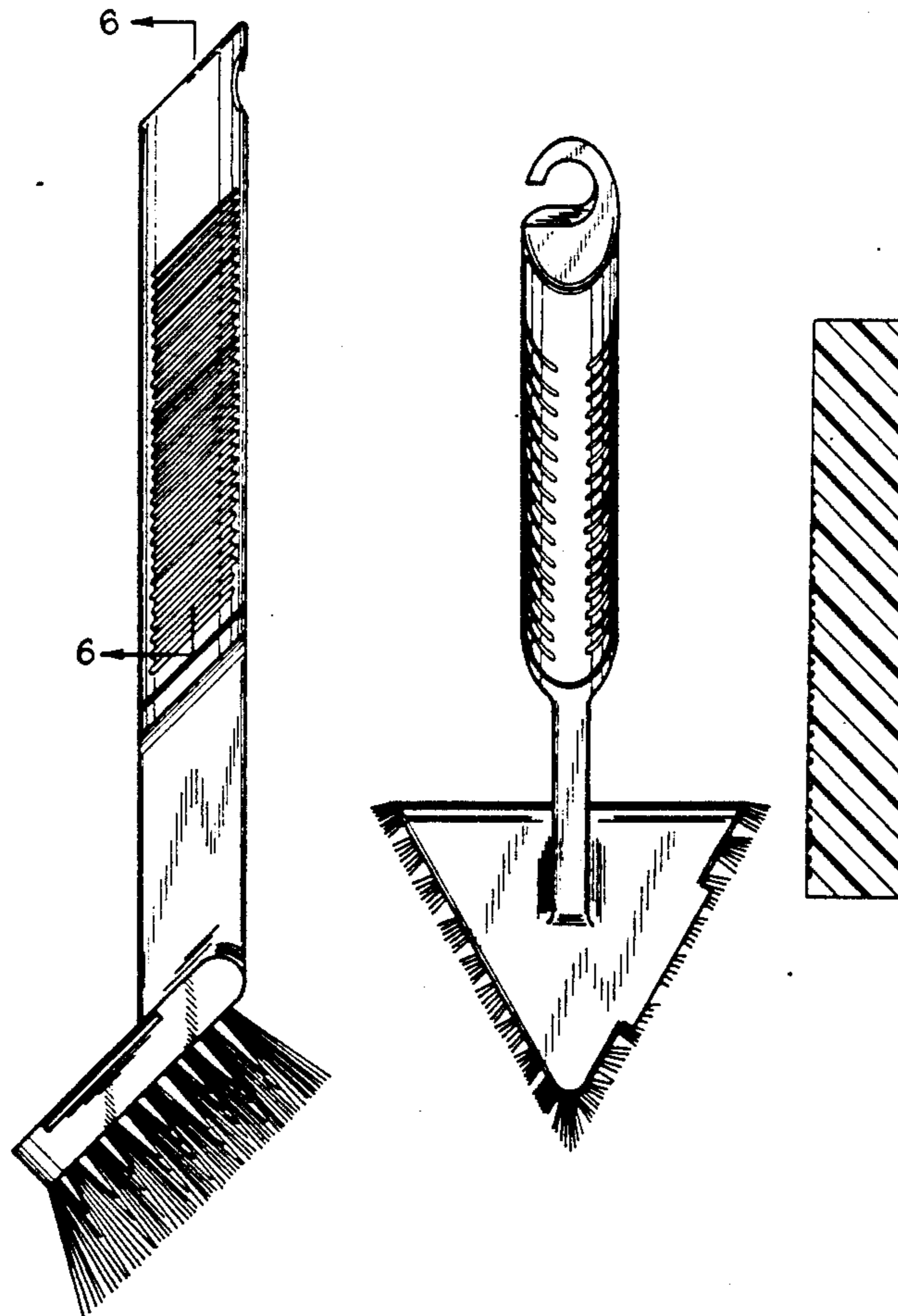
FIG. 2 is a top view thereof;

FIG. 3 is a bottom view thereof;

FIG. 4 is a front view thereof;

FIG. 5 is a rear view thereof; and,

FIG. 6 is a sectional view taken along the line 6—6 in FIG. 1.



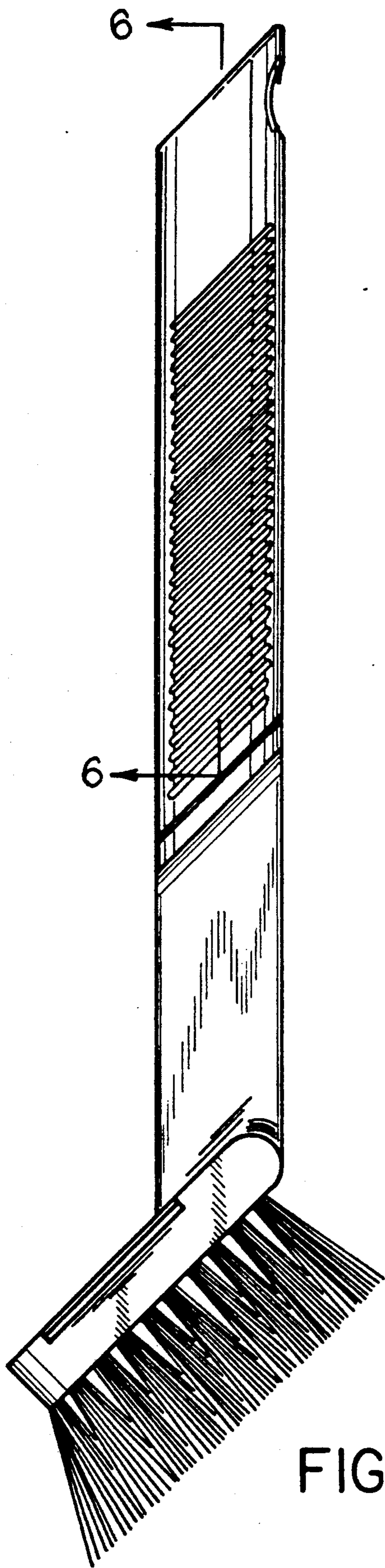


FIG. 1

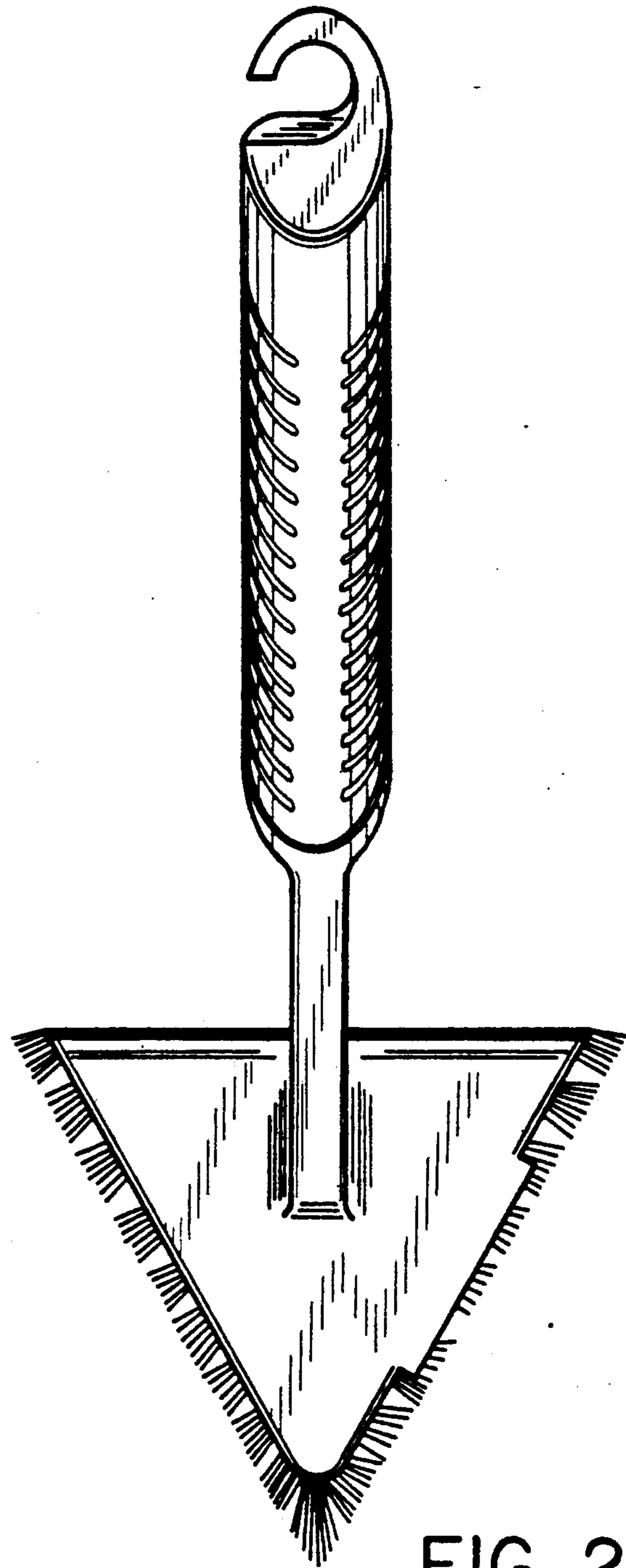


FIG. 2

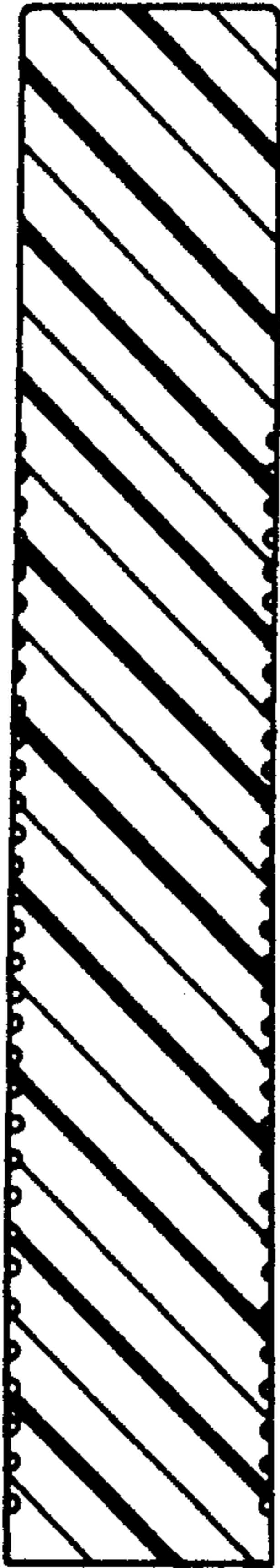


FIG. 6

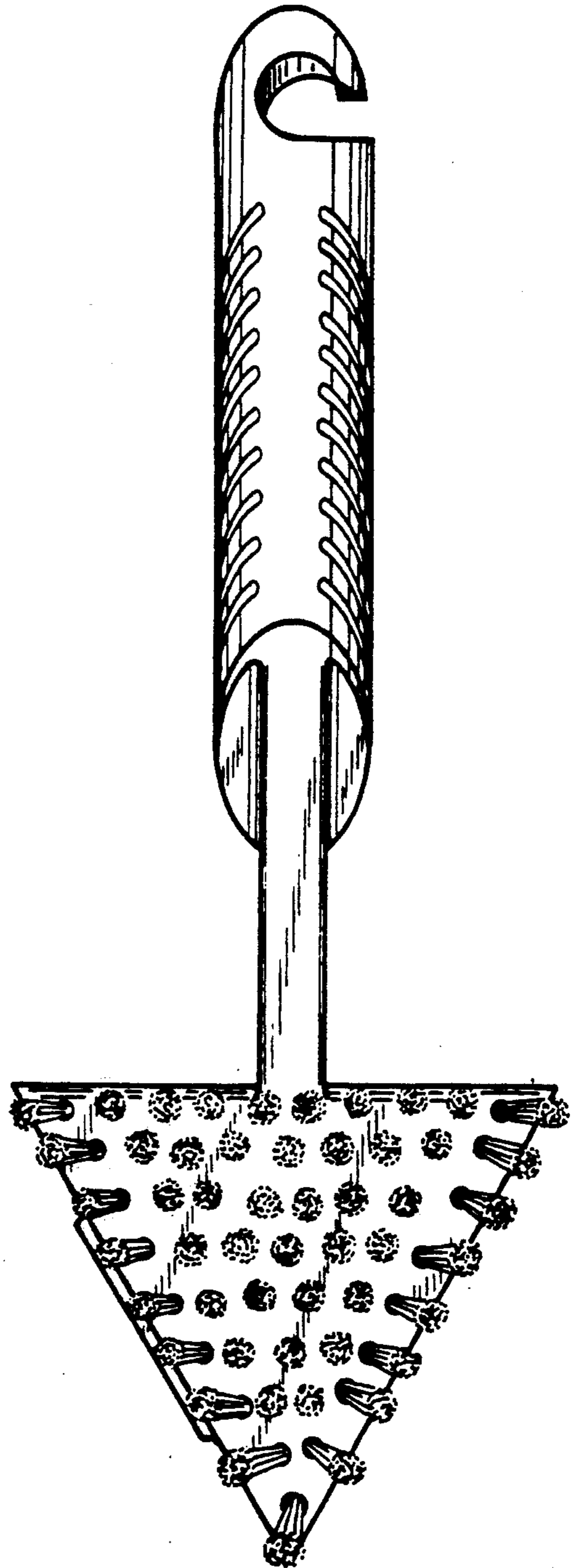


FIG. 3

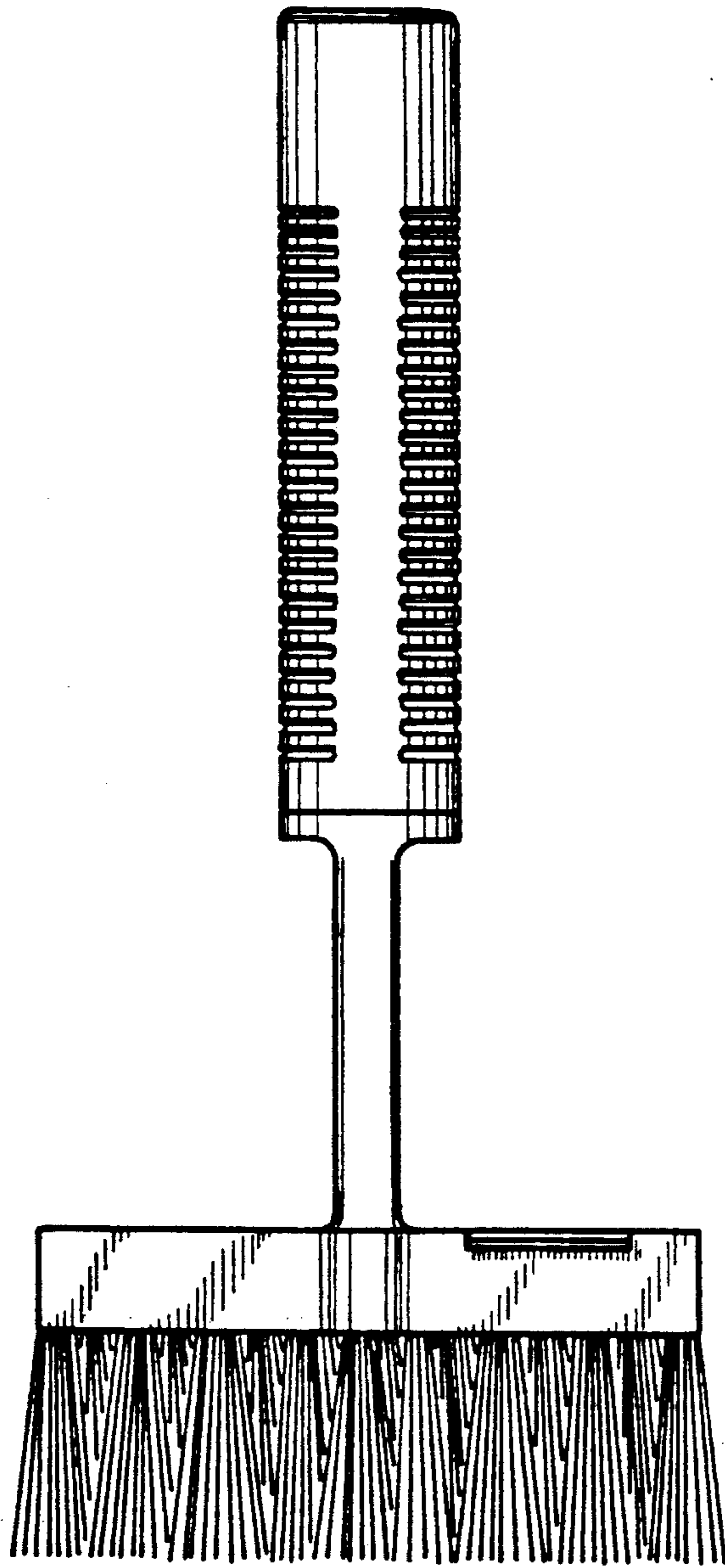


FIG. 4

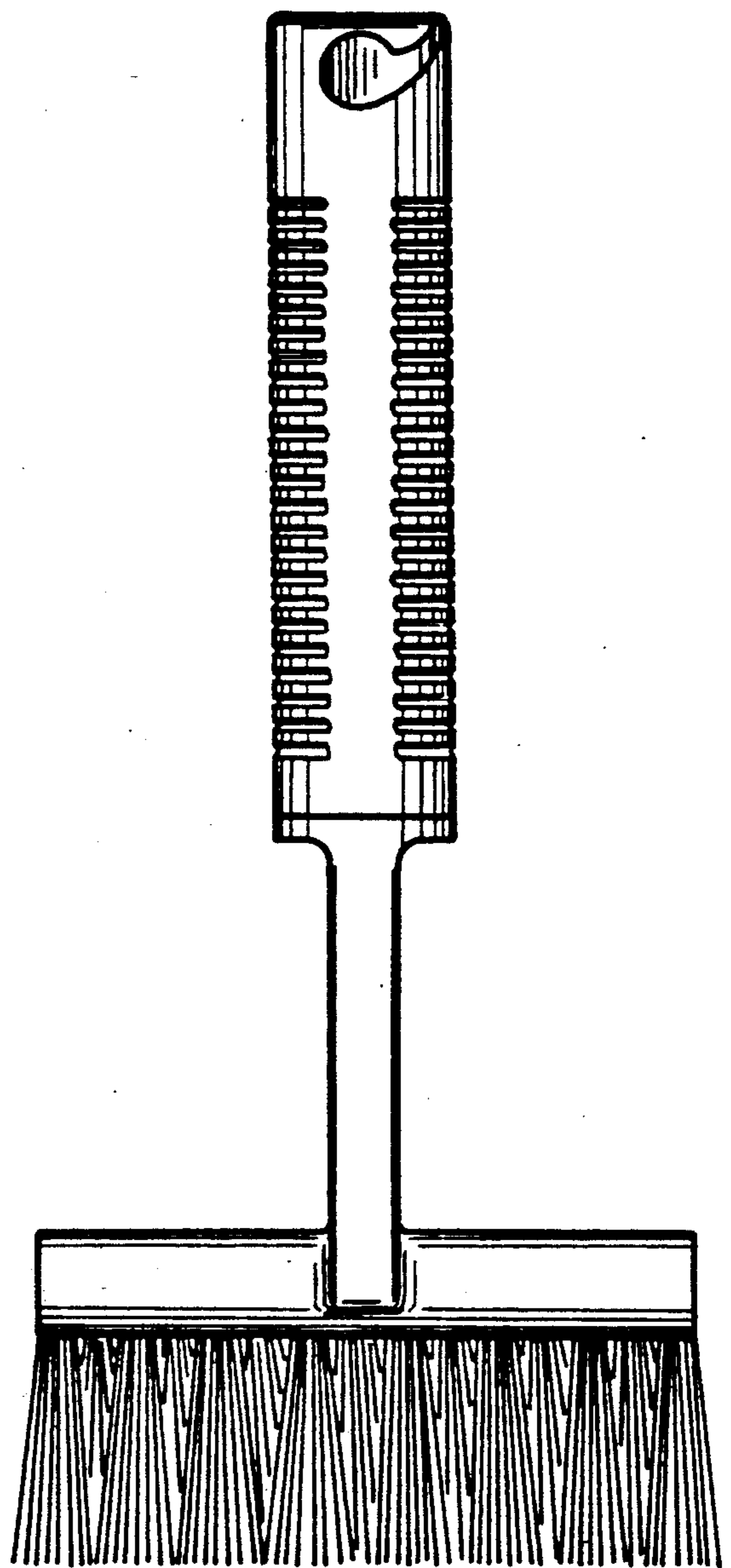


FIG. 5