



US00D333920S

United States Patent [19]

[11] Patent Number: **Des. 333,920**

Vetter

[45] Date of Patent: **** Mar. 16, 1993**

[54] **COMBINED DISHWASHING BRUSH, SCRAPER, AND LIQUID DISPENSER**

[58] Field of Search D4/114-116, D4/118, 130-138, 199; D28/63; D32/40, 42, 45; 15/104.92, 104.94, 105-106, 111, 143 R, 159 R, 159 A, 160; 401/268-291

[75] Inventor: **Roland Vetter,**
Giengen-Sachsenhausen, Fed. Rep. of Germany

[56] **References Cited**

[73] Assignee: **Schwaebische Buerstenfabrik Hans Haug KG,** Koenigsbrunn, Fed. Rep. of Germany

U.S. PATENT DOCUMENTS

- D. 195,820 8/1963 Williams D4/115
- D. 197,637 3/1964 Vallis D4/118
- D. 284,607 8/1986 Muller D28/63
- 2,772,430 12/1956 Moritt 15/111 X
- 4,826,340 5/1989 Rothweiler et al. 401/279

[**] Term: **14 Years**

Primary Examiner—Wallace R. Burke
Assistant Examiner—Lavone D. Tabor
Attorney, Agent, or Firm—Flynn, Thiel, Boutell & Tanis

[21] Appl. No.: **891,465**

[57] **CLAIM**

[22] Filed: **May 29, 1992**

The ornamental design for a combined dishwashing brush, scraper and liquid dispenser, shown and described.

Related U.S. Application Data

DESCRIPTION

[62] Division of Ser. No. 376,806, Jul. 7, 1989, Pat. No. D. 326,778.

FIG. 1 is a left side elevational view of a combined dishwashing brush, scraper and liquid dispenser showing my new design, the right side being a mirror image thereof;

[30] **Foreign Application Priority Data**

Jan. 14, 1989 [DE] Fed. Rep. of Germany M8900362.4

FIG. 2 is a top view thereof;

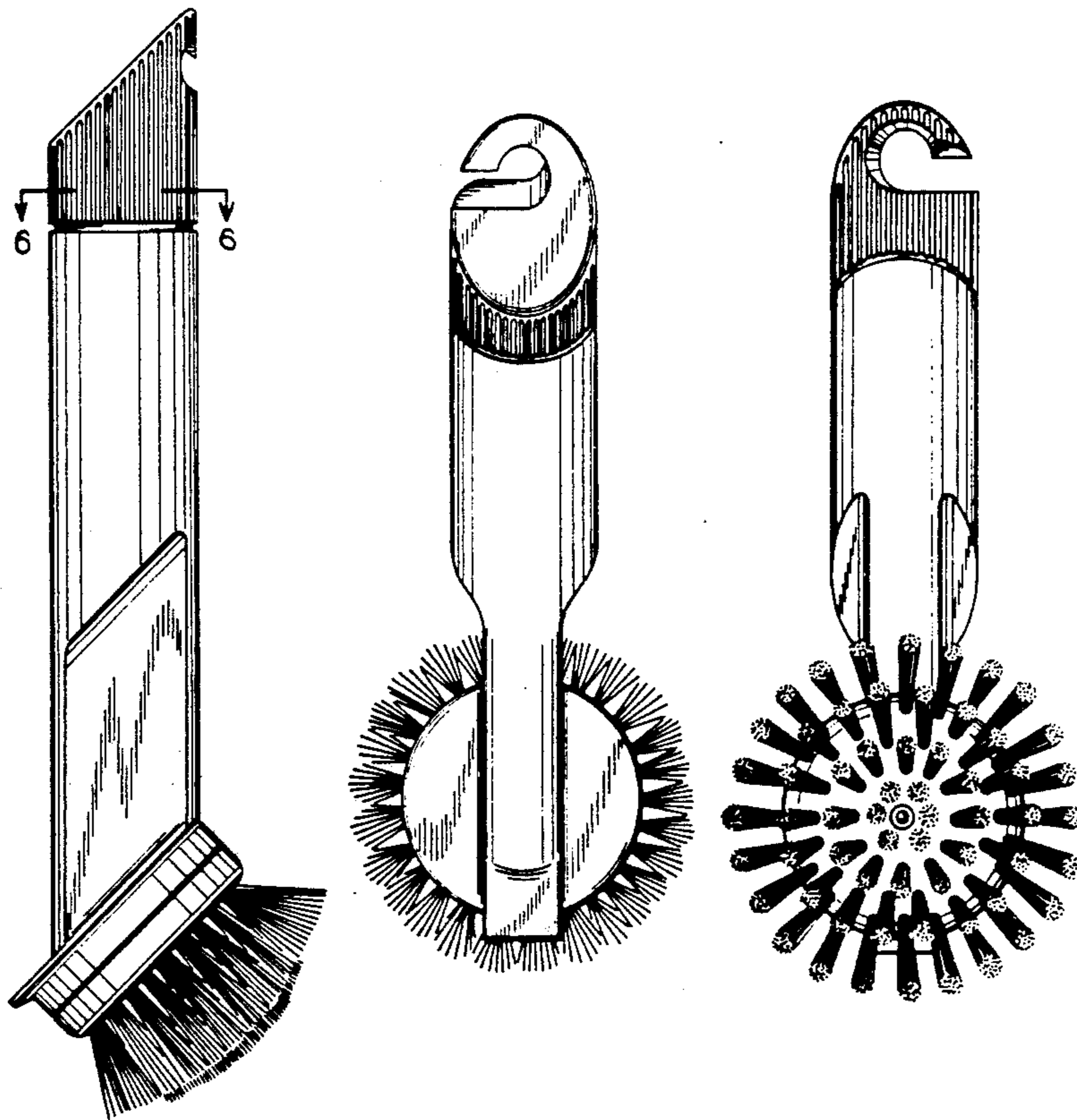
FIG. 3 is a bottom view thereof;

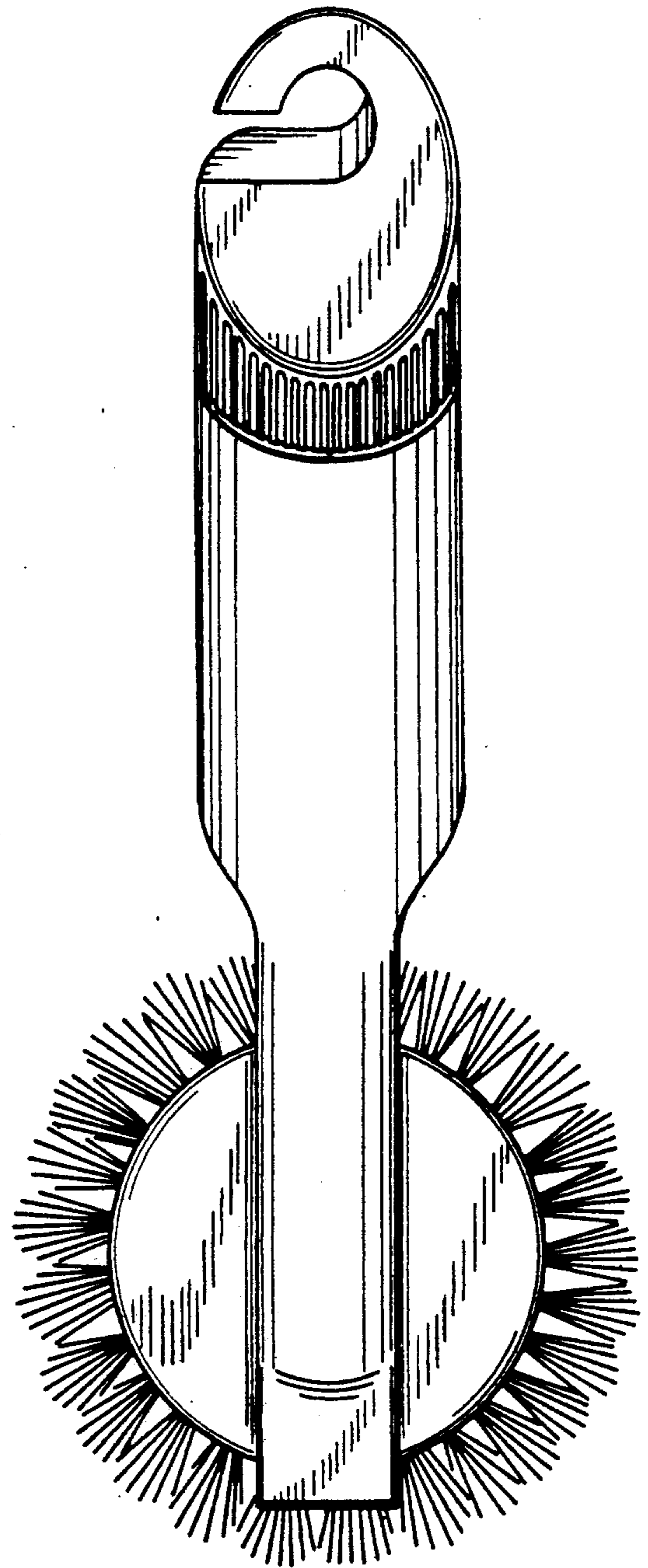
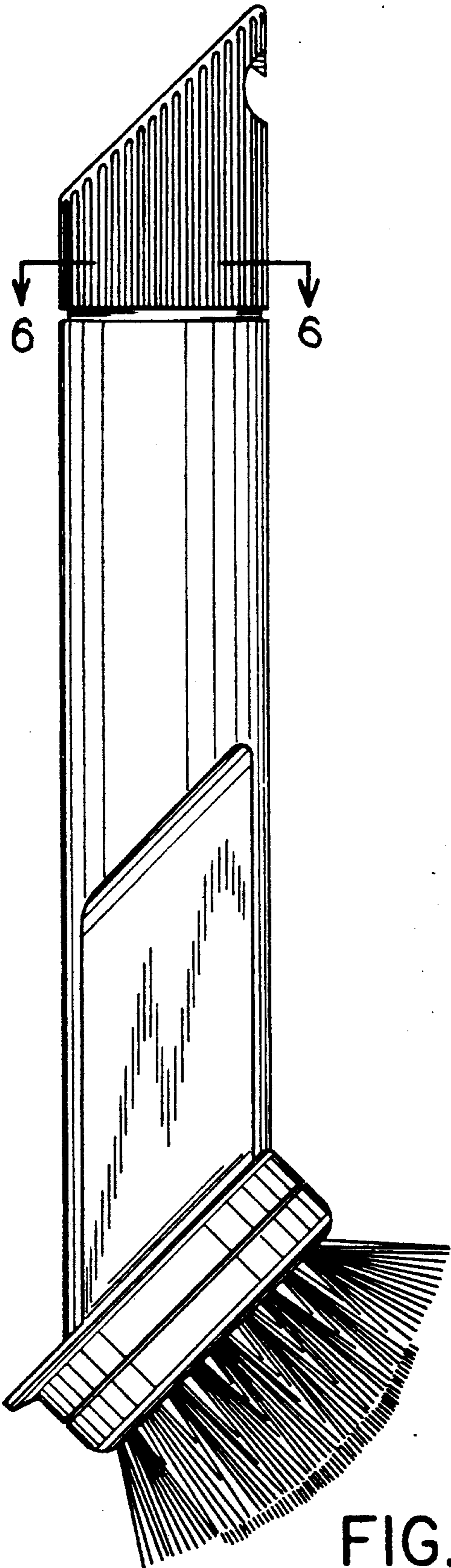
FIG. 4 is a front view thereof;

[52] U.S. Cl. **D4/114; D4/118; D4/132**

FIG. 5 is a rear view thereof; and,

FIG. 6 is a sectional view taken along line 6—6 in FIG. 1.





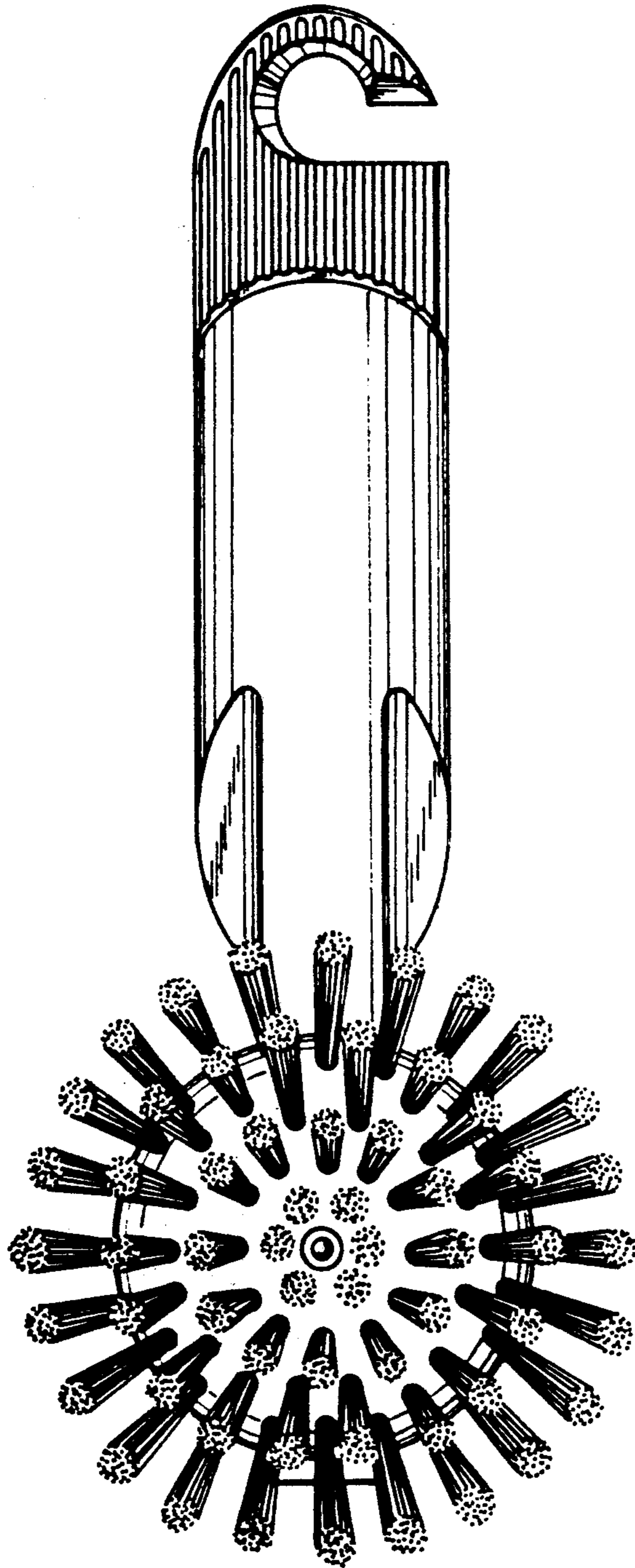


FIG. 3

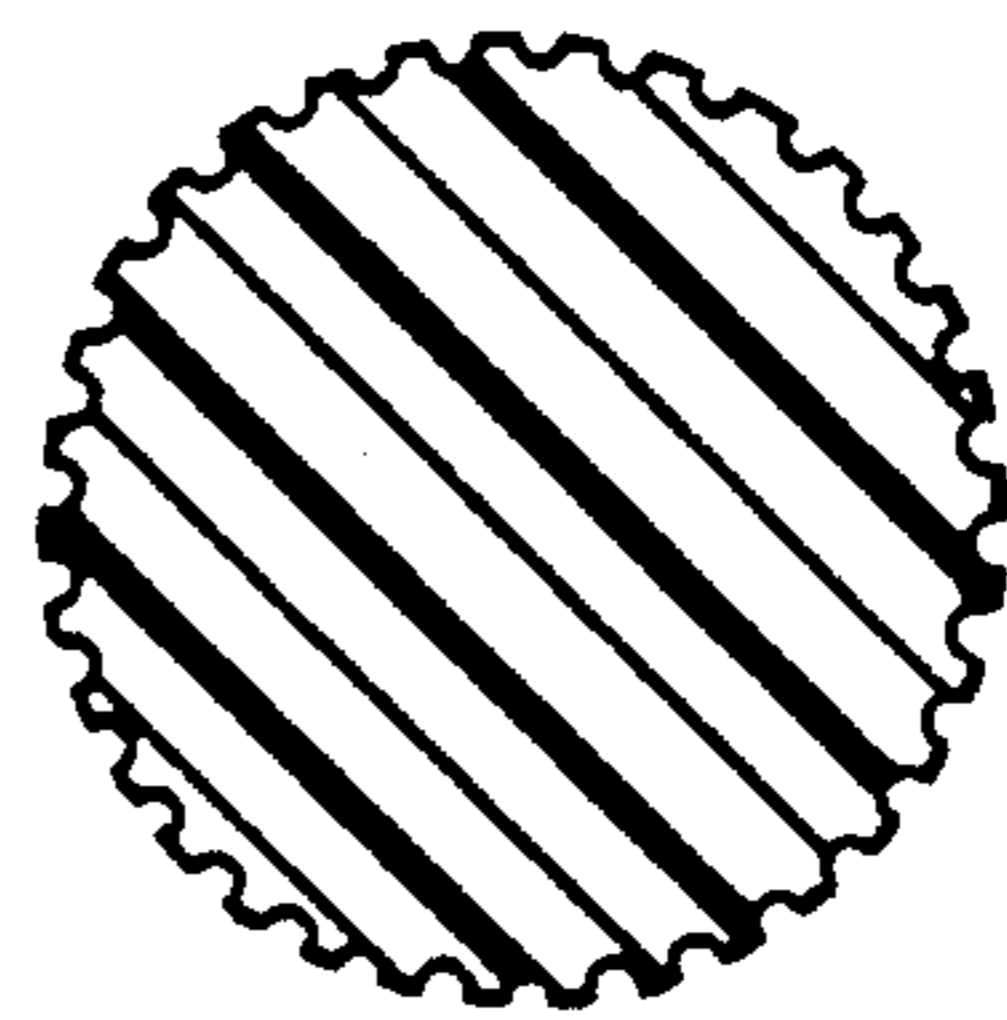


FIG. 6

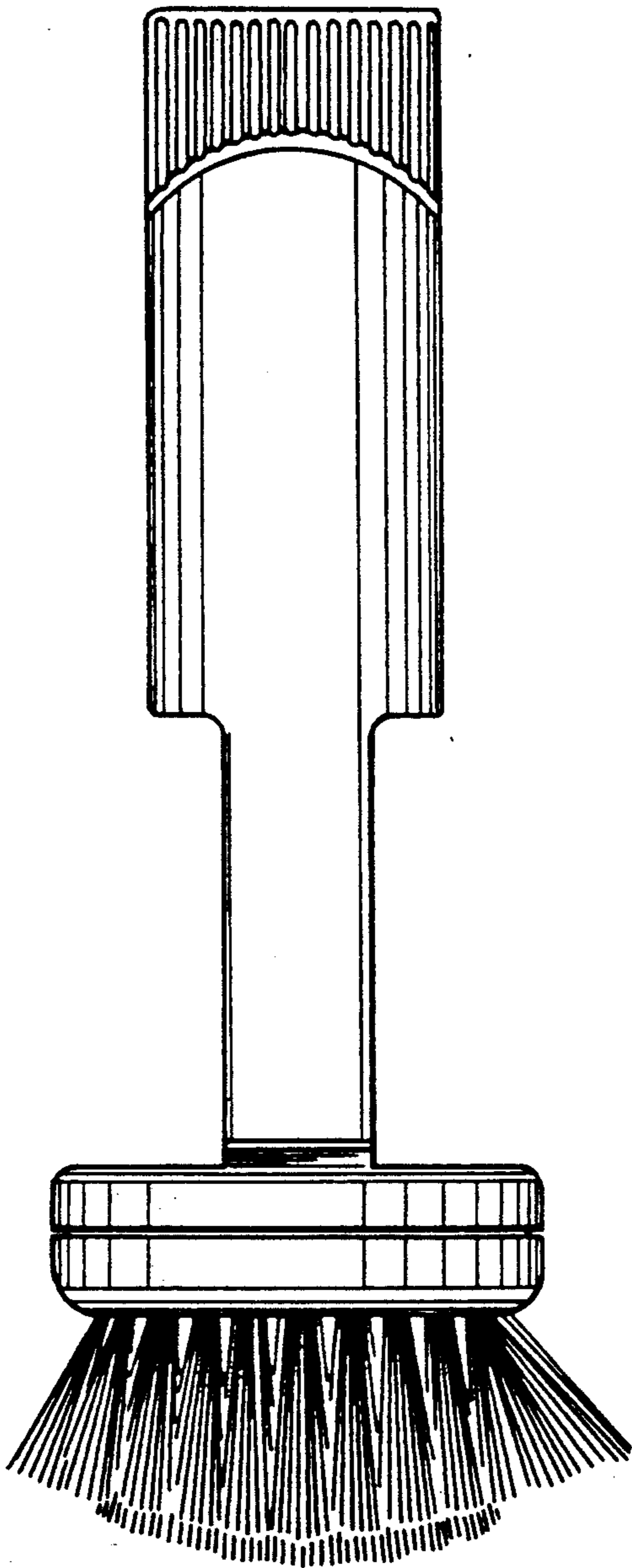


FIG. 4

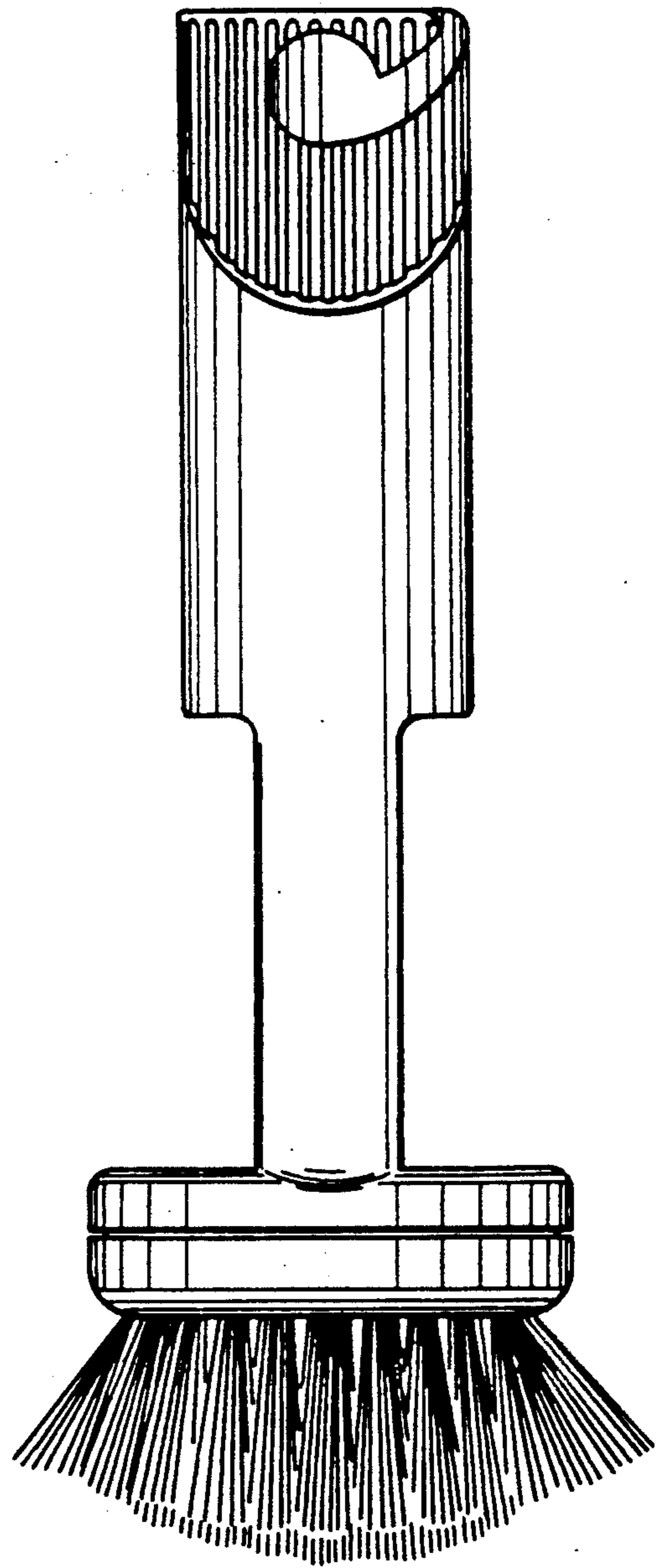


FIG. 5