



US00D333916S

# United States Patent [19]

[11] Patent Number: **Des. 333,916**

Seber et al.

[45] Date of Patent: **\*\* Mar. 16, 1993**

[54] **FOURTEEN POCKET NAIL AND TOOL CARRIER**

D. 316,485 4/1991 Seber ..... D3/105  
4,923,105 5/1990 Snyder ..... 224/901 X

[75] Inventors: **Brett P. Seber, Escondido; Steve Leiserson, LaMesa, both of Calif.**

### OTHER PUBLICATIONS

Hyde Tools, ©1986, p. 30; Nail/Tool Bag #09075.

[73] Assignee: **Buck Knives, Inc., El Cajon, Calif.**

*Primary Examiner*—A. Hugo Word  
*Assistant Examiner*—Doris V. Coles  
*Attorney, Agent, or Firm*—Gregory Garmong

[\*\*] Term: **14 Years**

[21] Appl. No.: **742,931**

### [57] CLAIM

[22] Filed: **Aug. 9, 1991**

The ornamental design for a fourteen pocket nail and tool carrier, as shown and described.

[52] U.S. Cl. .... **D3/105; D2/630**

[58] Field of Search ..... **D3/100, 104, 105, 106, D3/101, 102; D2/630; 224/904, 901, 250, 253, 232, 249, 246, 240, 224, 226, 191**

### DESCRIPTION

FIG. 1 is a front elevational view of a fourteen pocket nail and tool carrier, showing our new design; FIG. 2 is a right side elevational view thereof; FIG. 3 is a top plan view thereof; FIG. 4 is a left side elevational view thereof; FIG. 5 is a rear elevational view thereof; and, FIG. 6 is a bottom plan view thereof.

### [56] References Cited

#### U.S. PATENT DOCUMENTS

D. 254,759 4/1980 Rodstein ..... D2/630  
D. 316,185 4/1991 Seber ..... D3/106 X  
D. 316,186 4/1991 Seber ..... D3/105

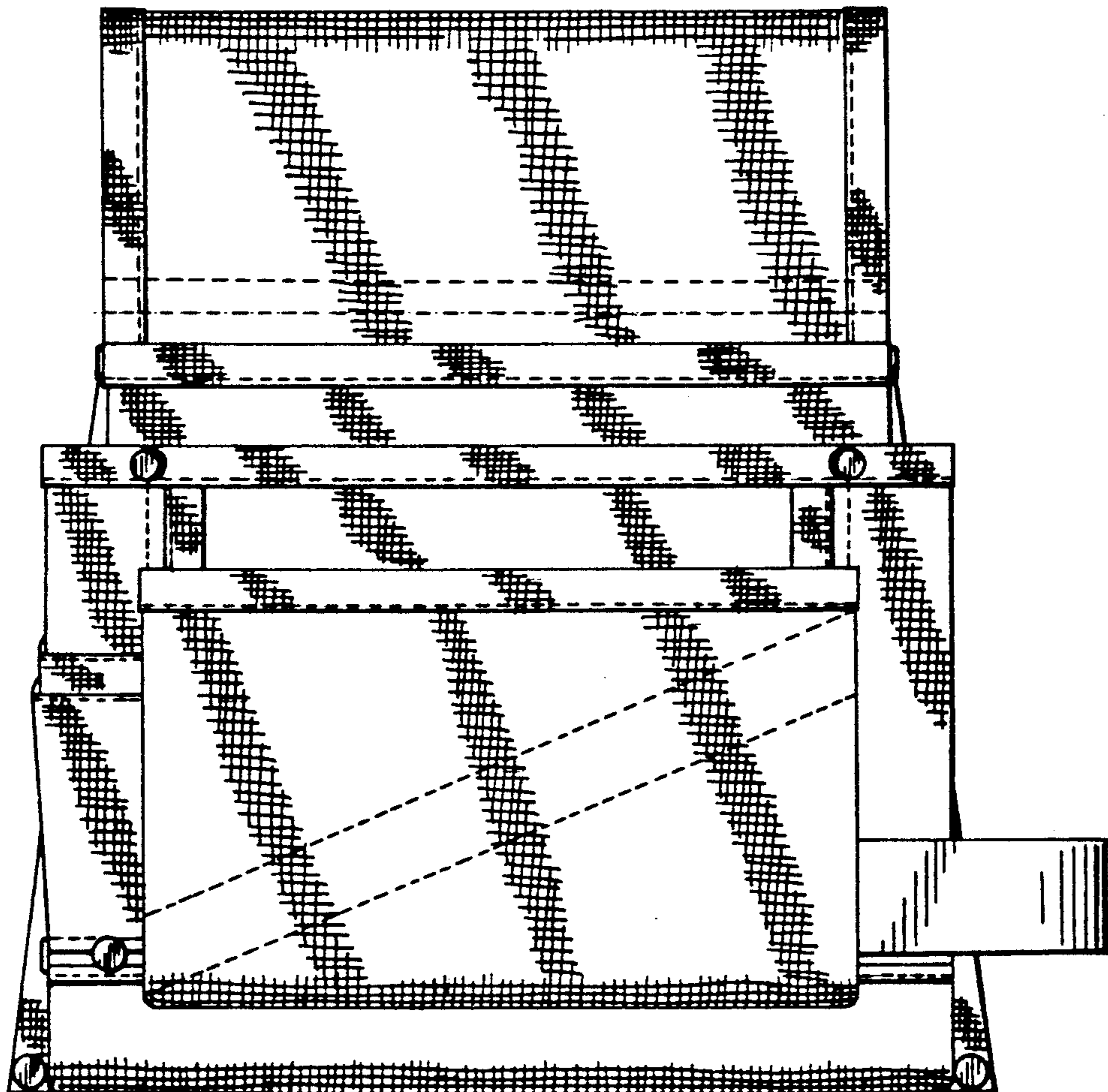


FIG. 1

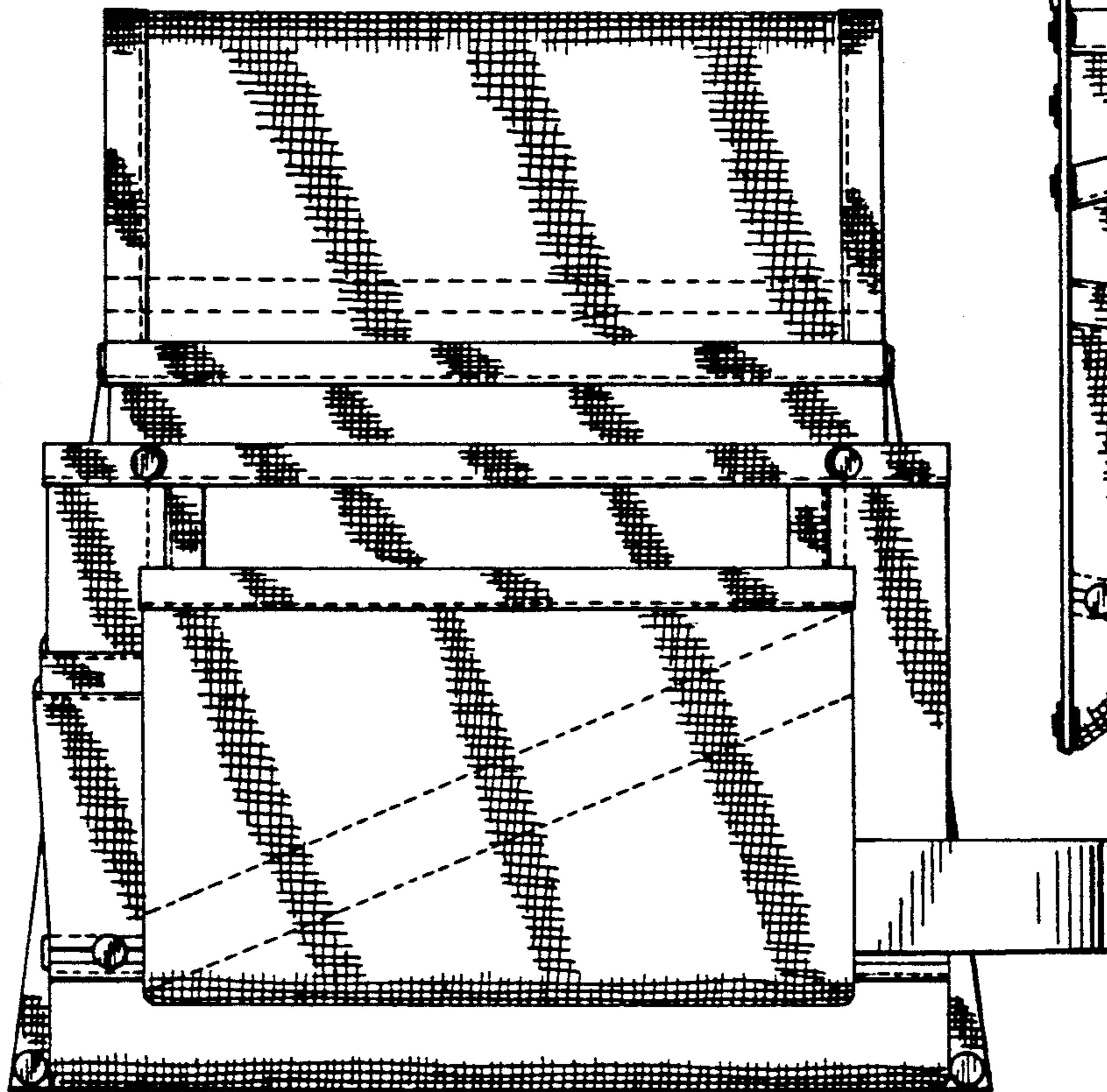


FIG. 2

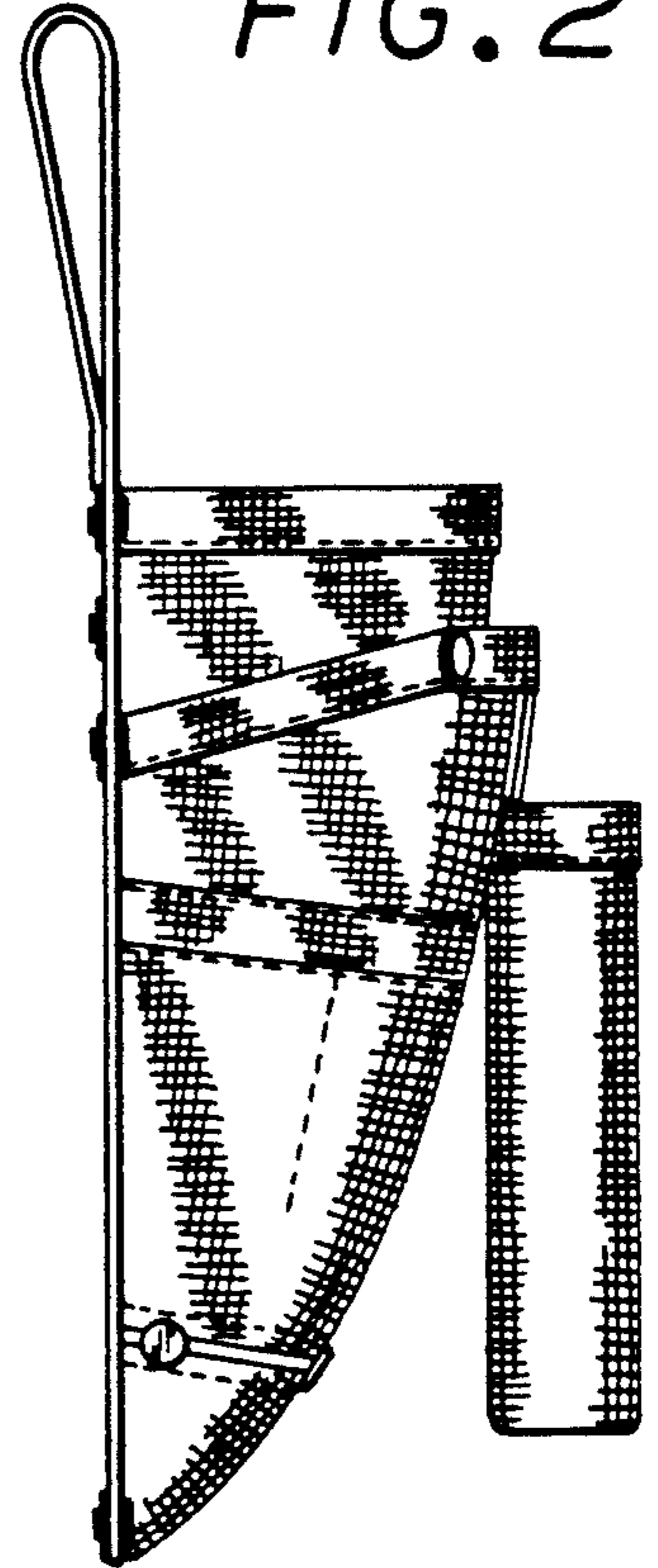


FIG. 3

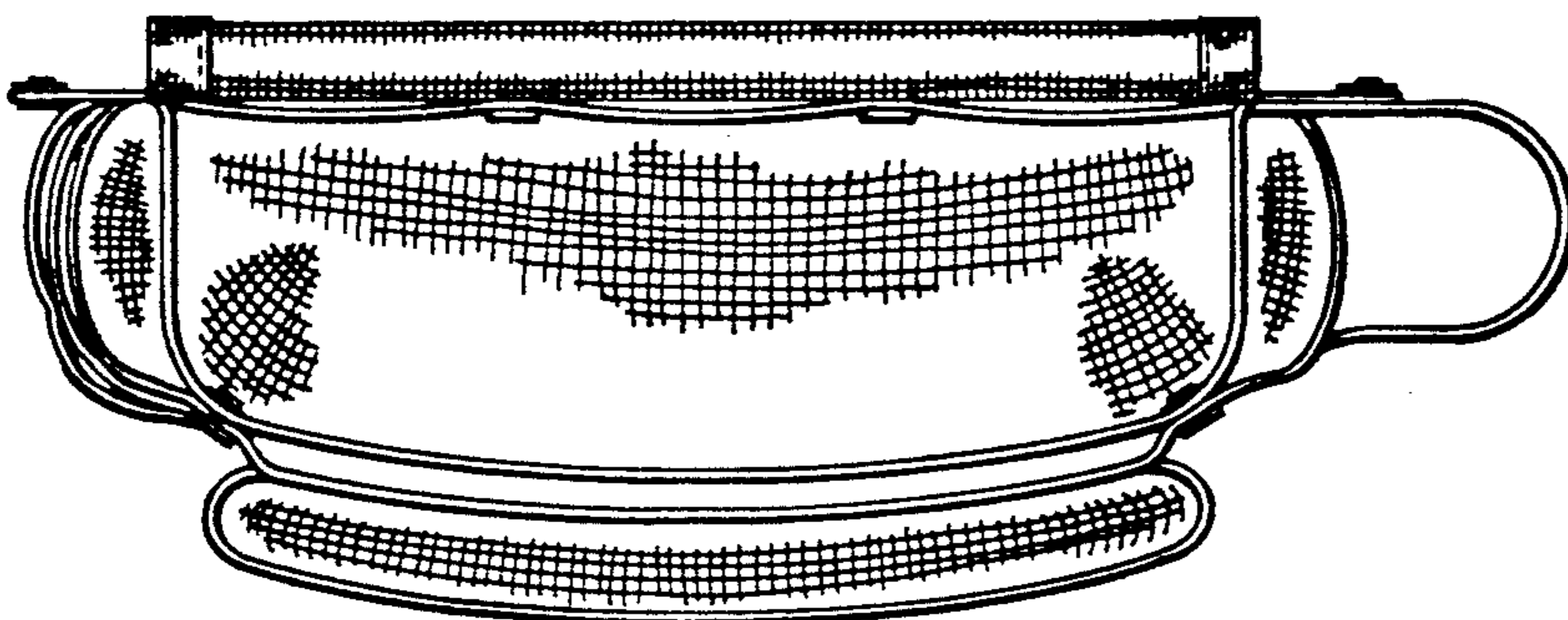


FIG. 4

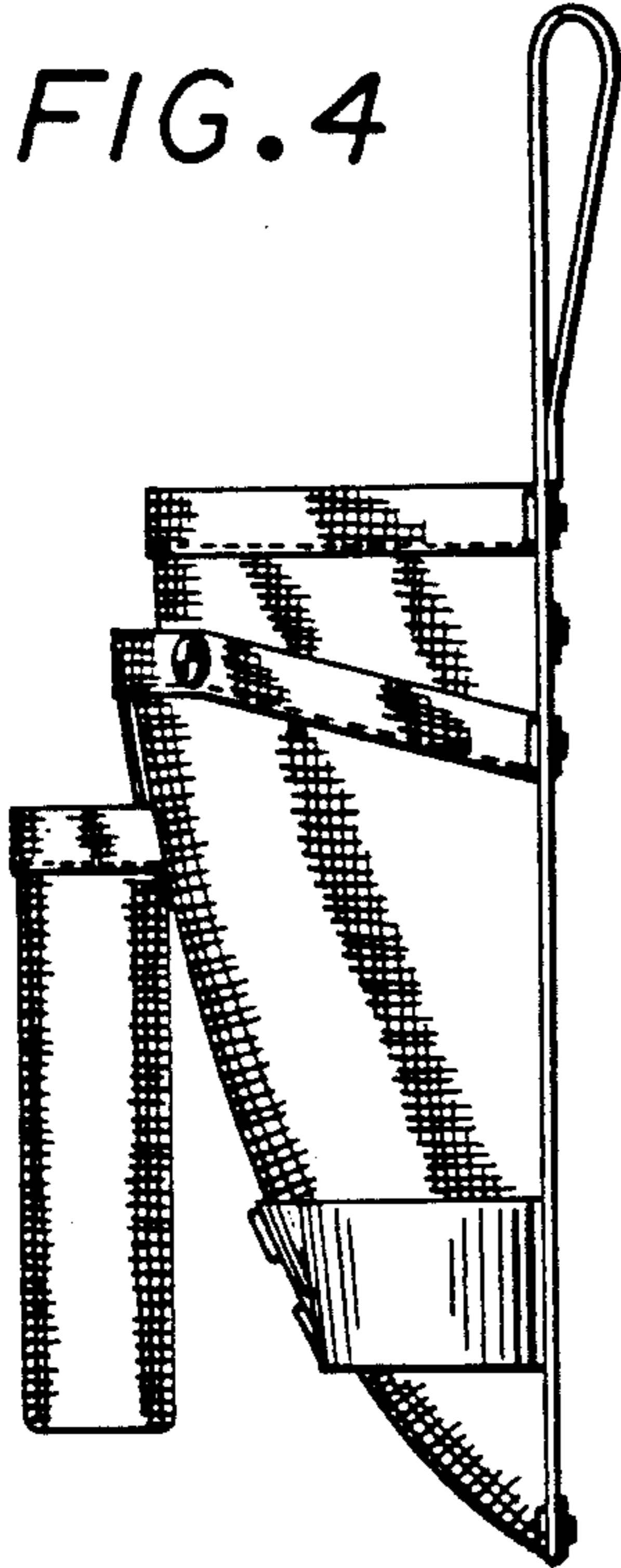


FIG. 5

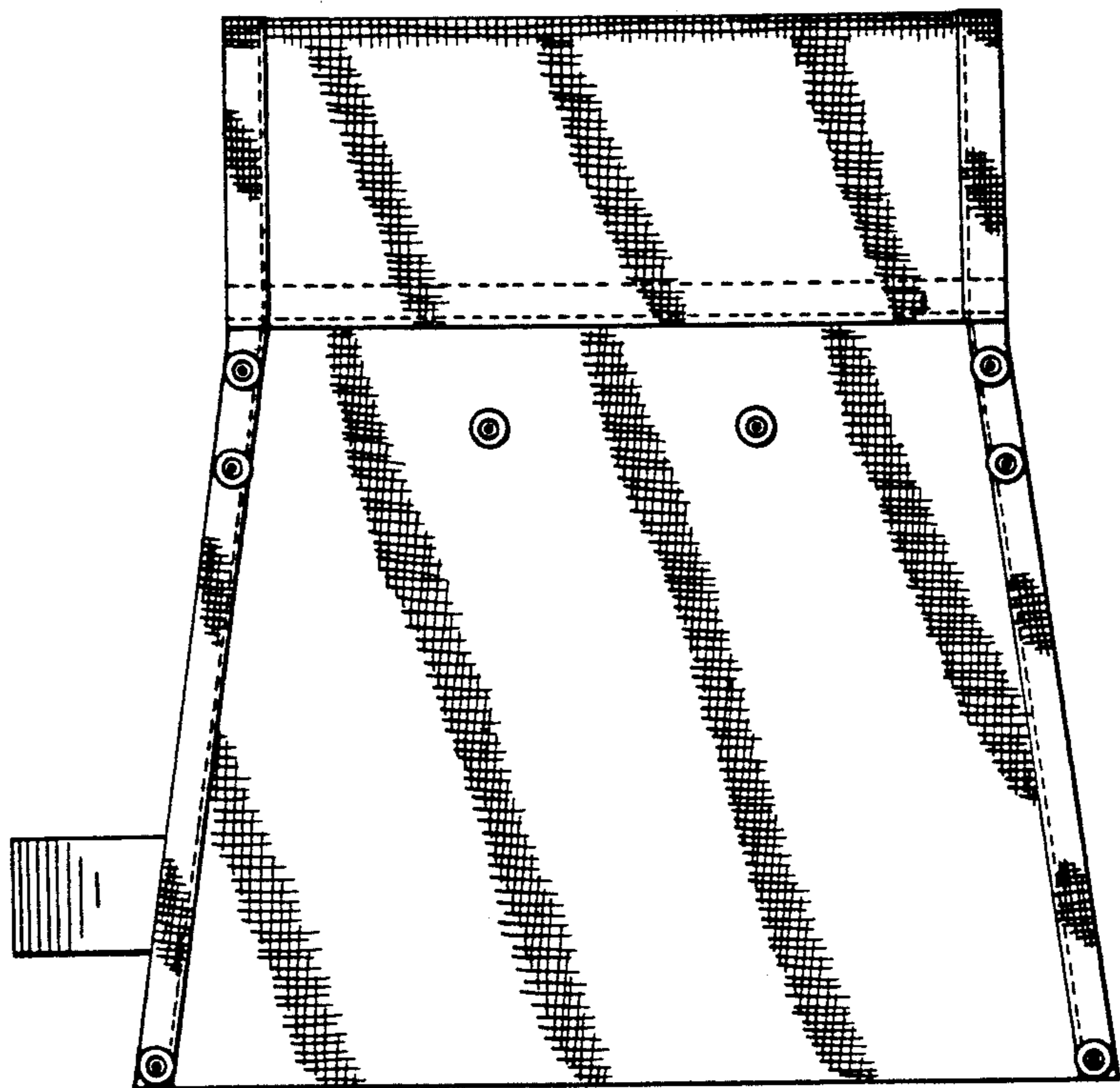
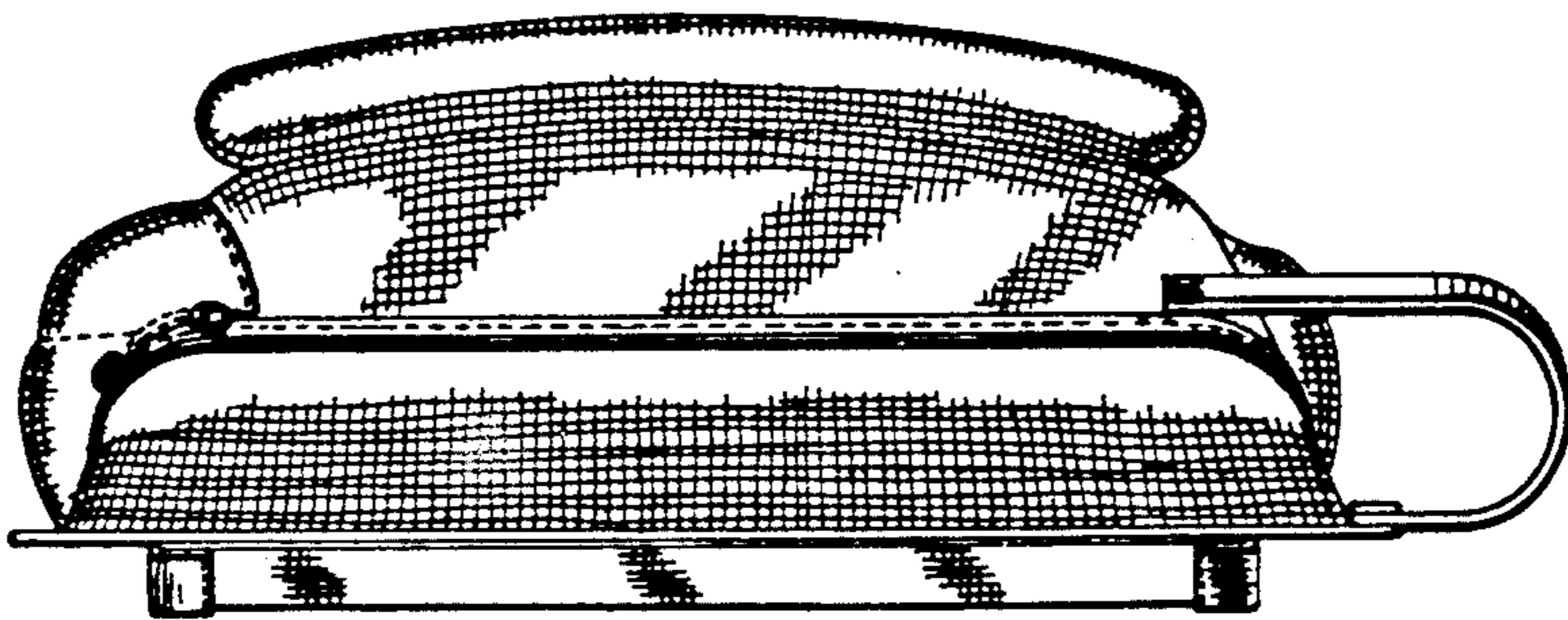


FIG. 6



UNITED STATES PATENT AND TRADEMARK OFFICE  
**CERTIFICATE OF CORRECTION**

PATENT NO. : DES. 333,916

Page 1 of 3

DATED : Mar. 16, 1993

INVENTOR(S) : Brett P. Seber, Steve Leiserson

It is certified that error appears in the above-identified patent and that said Letters Patent is hereby corrected as shown below:

**In the Drawings:**

The attached two sheets of drawings are substituted for those originally printed in the patent.

Signed and Sealed this  
Tenth Day of May, 1994



BRUCE LEHMAN

Commissioner of Patents and Trademarks

Attest:

Attesting Officer

FIG. 1

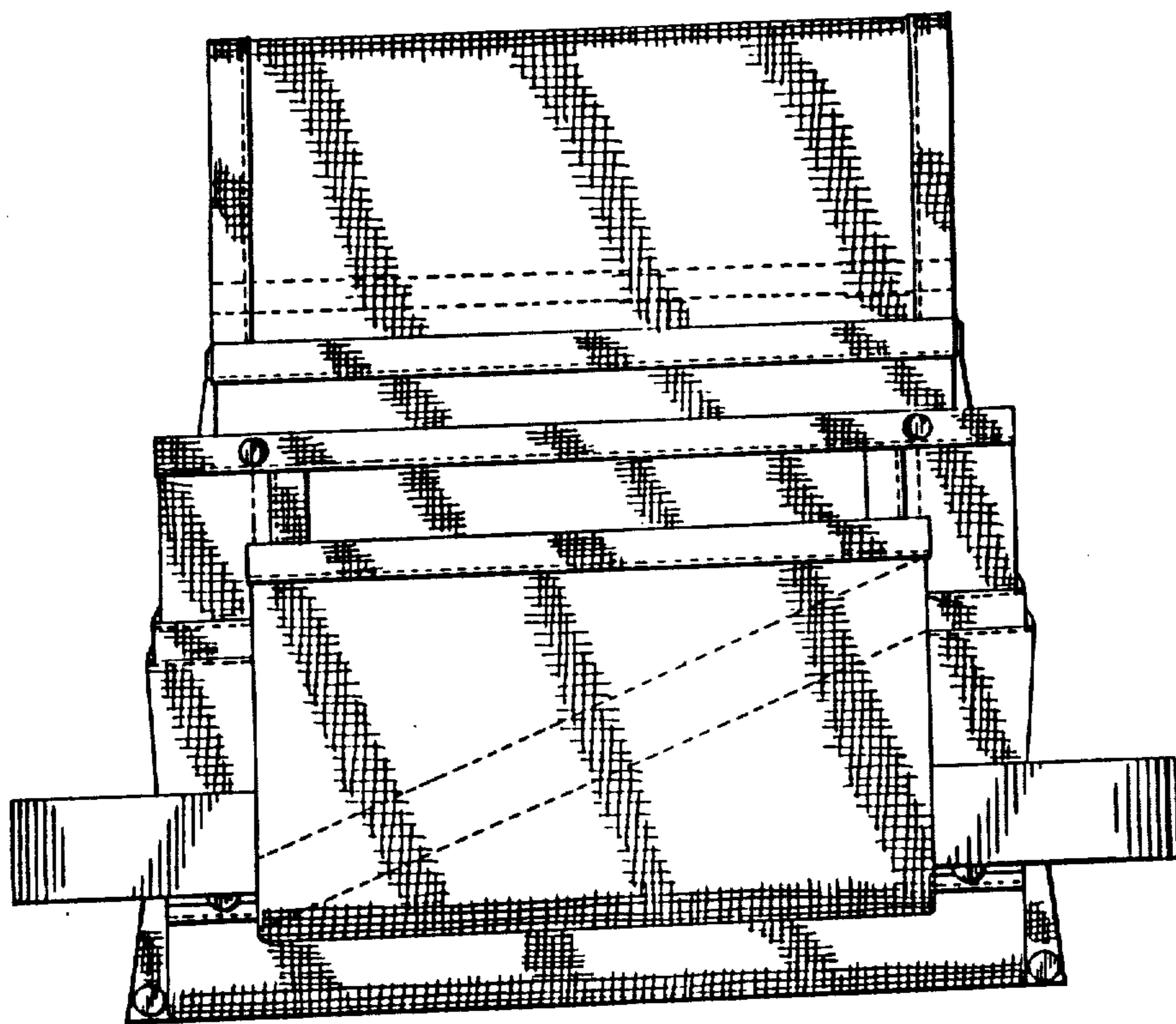


FIG. 2

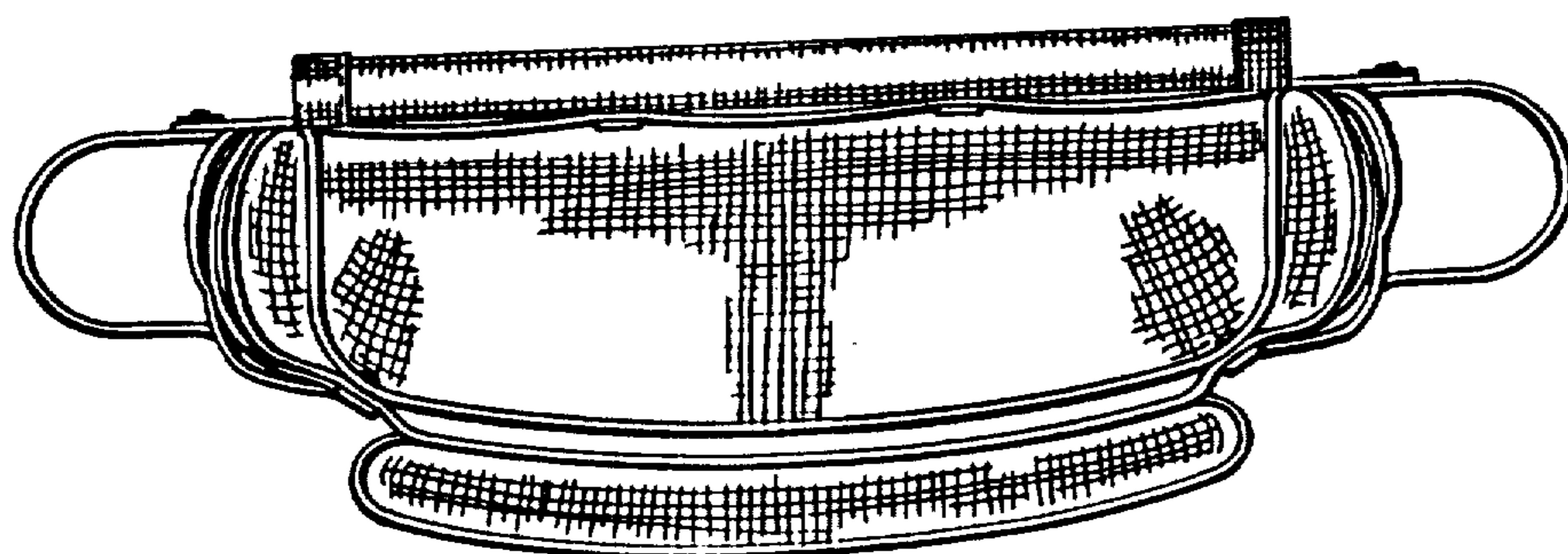
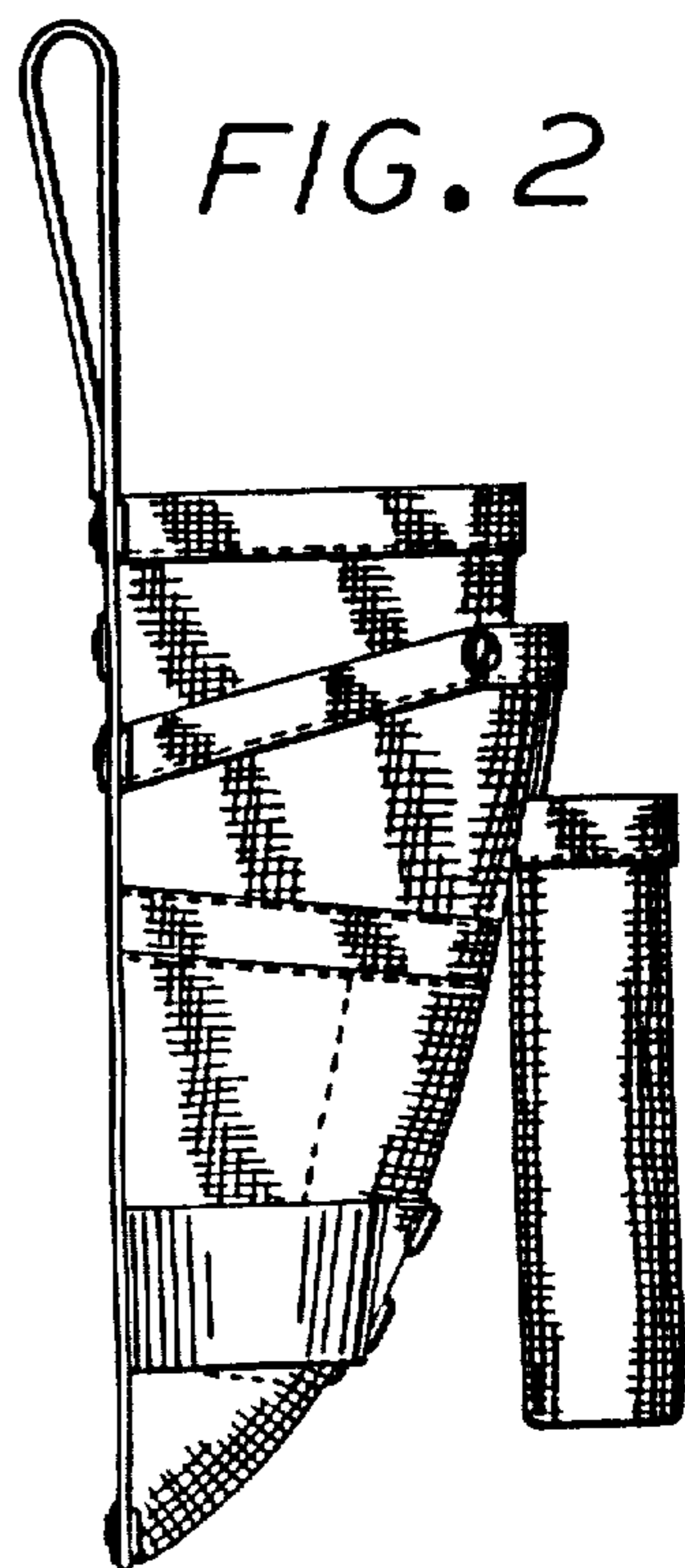


FIG. 3

FIG. 4

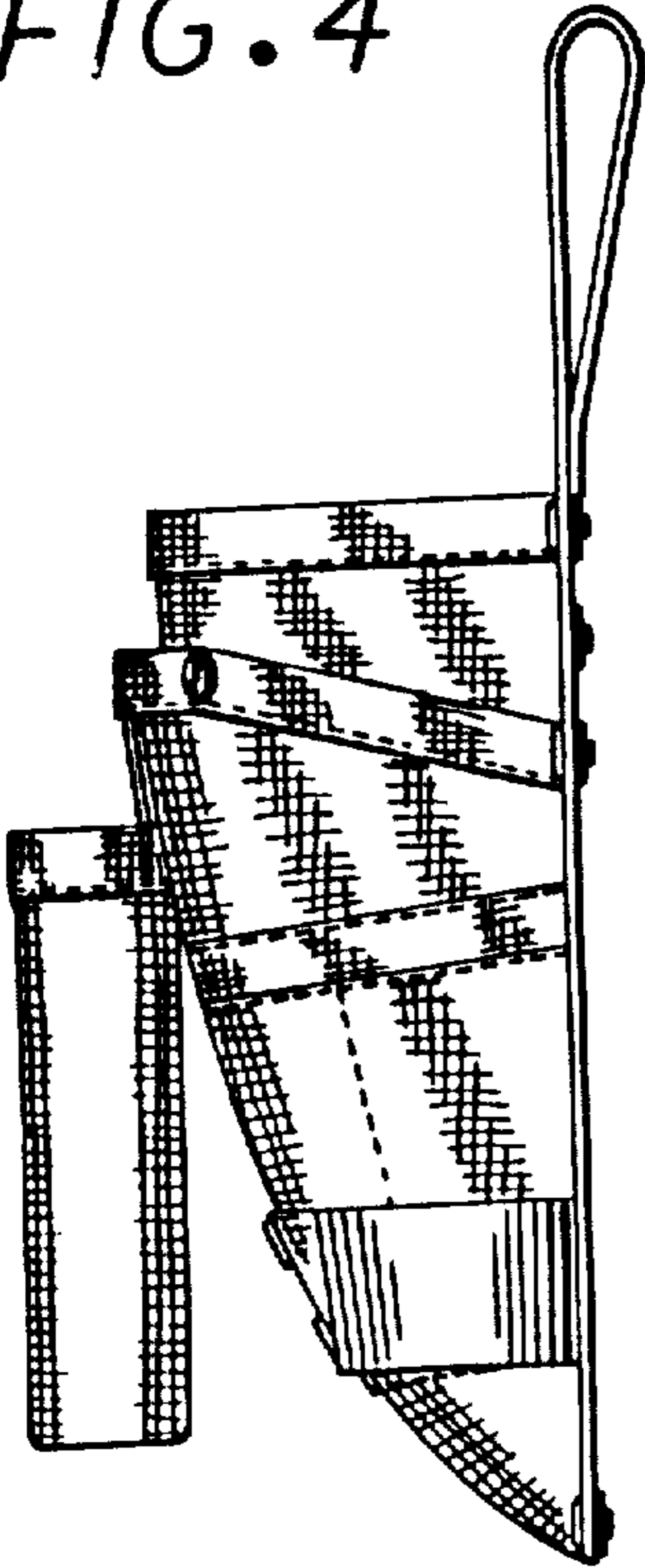


FIG. 5

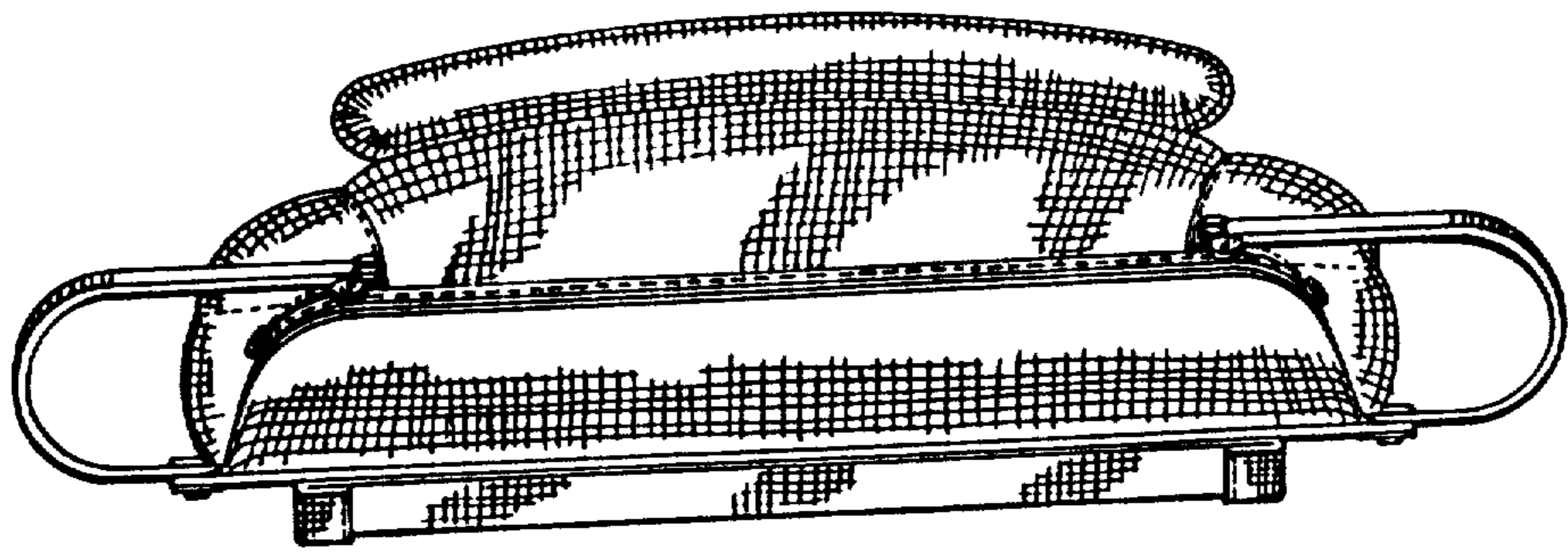
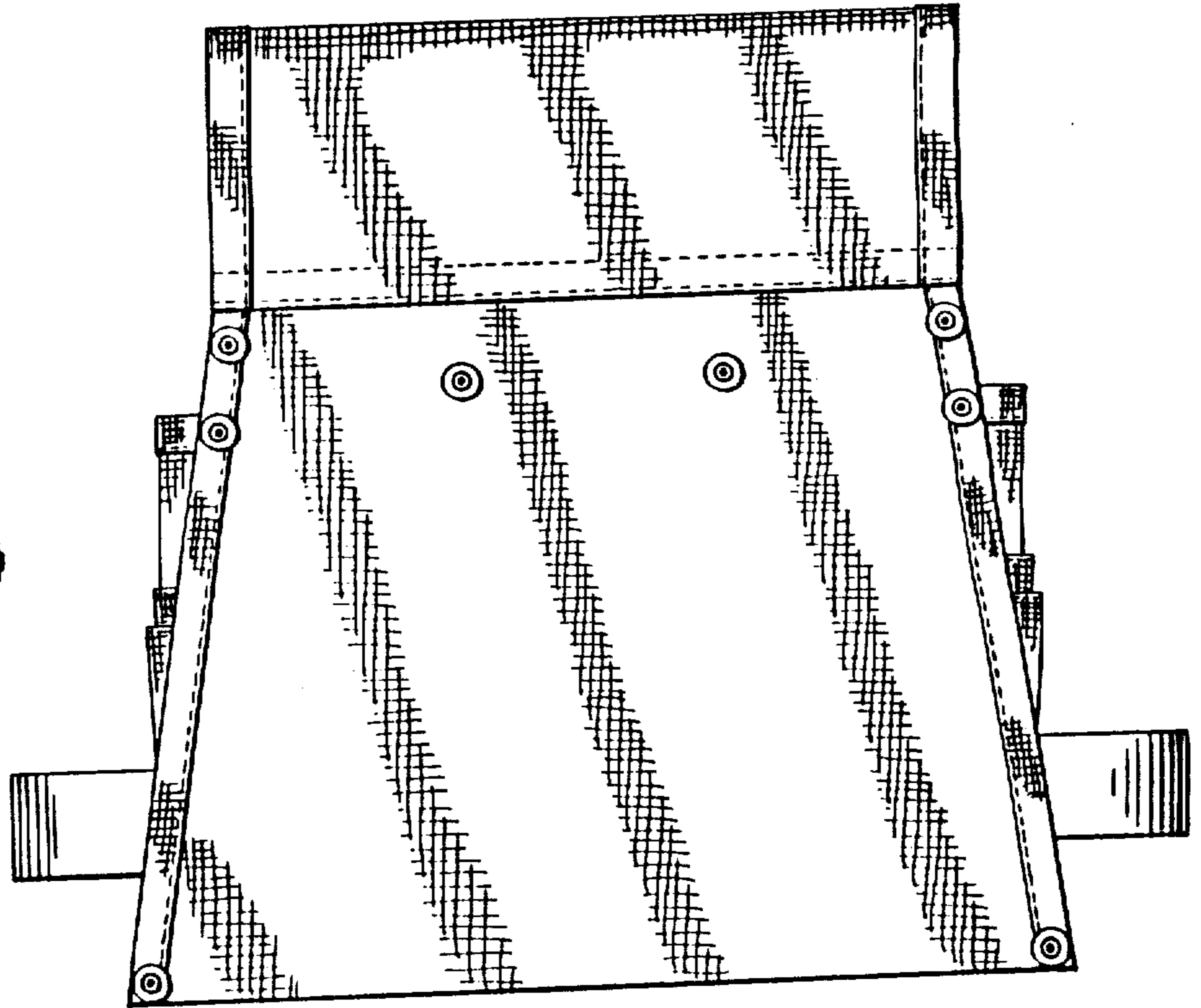


FIG. 6