



US00D333910S

United States Patent [19]
Rorke

[11] **Patent Number: Des. 333,910**
[45] **Date of Patent: ** Mar. 16, 1993**

[54] **PORTABLE DISK STORAGE CONTAINER
OR SIMILAR ARTICLE**

[75] **Inventor: Brooks Rorke, Fairfield, Conn.**

[73] **Assignee: Westinghouse Electric Corp.,
Pittsburgh, Pa.**

[*] **Notice:** The portion of the term of this patent
subsequent to Jul. 21, 2006 has been
disclaimed.

[**] **Term: 14 Years**

[21] **Appl. No.: 536,459**

[22] **Filed: Jun. 12, 1990**

[52] **U.S. Cl. D3/35; D6/407;
D19/90**

[58] **Field of Search D3/30.1, 35, 72, 74,
D3/78; D6/407; D19/75, 76, 78, 86, 90, 91, 99,
100, 92; 206/387, 425, 444, 449, 555; 211/10,
11; 312/183, 184**

[56] **References Cited**

U.S. PATENT DOCUMENTS

- D. 223,732 5/1972 Misenko D19/76
- D. 265,742 8/1982 Meyer et al. D19/90
- D. 275,500 9/1984 Tyke D19/92 X
- D. 283,948 5/1986 Clouser et al. D3/35
- D. 284,204 6/1986 Kirchner D3/35 X
- D. 289,181 4/1987 Solomon D19/90
- D. 291,386 8/1987 Johansson D3/35
- D. 299,037 12/1988 Klodt D19/90

- D. 317,018 5/1991 Tarlow et al. D19/75 X
- 2,447,731 8/1948 Bureau 206/425
- 3,550,979 12/1970 Protzmann .
- 3,874,501 4/1975 Cronheim 206/425
- 4,012,087 3/1977 Edwards, Jr. .
- 4,512,480 4/1985 Evenson .
- 4,544,213 10/1985 Long et al. D6/407 X
- 4,817,861 4/1989 Hennksen 206/425 X

FOREIGN PATENT DOCUMENTS

- 1966102 7/1971 Fed. Rep. of Germany 206/425

Primary Examiner—Carmen H. Vales-Lado

[57] **CLAIM**

The ornamental design for a portable disk storage con-
tainer or similar article, as shown and described.

DESCRIPTION

FIG. 1 is a perspective view of a portable disk storage container or similar article showing my new design, an index card is in raised condition for illustrative purposes only;

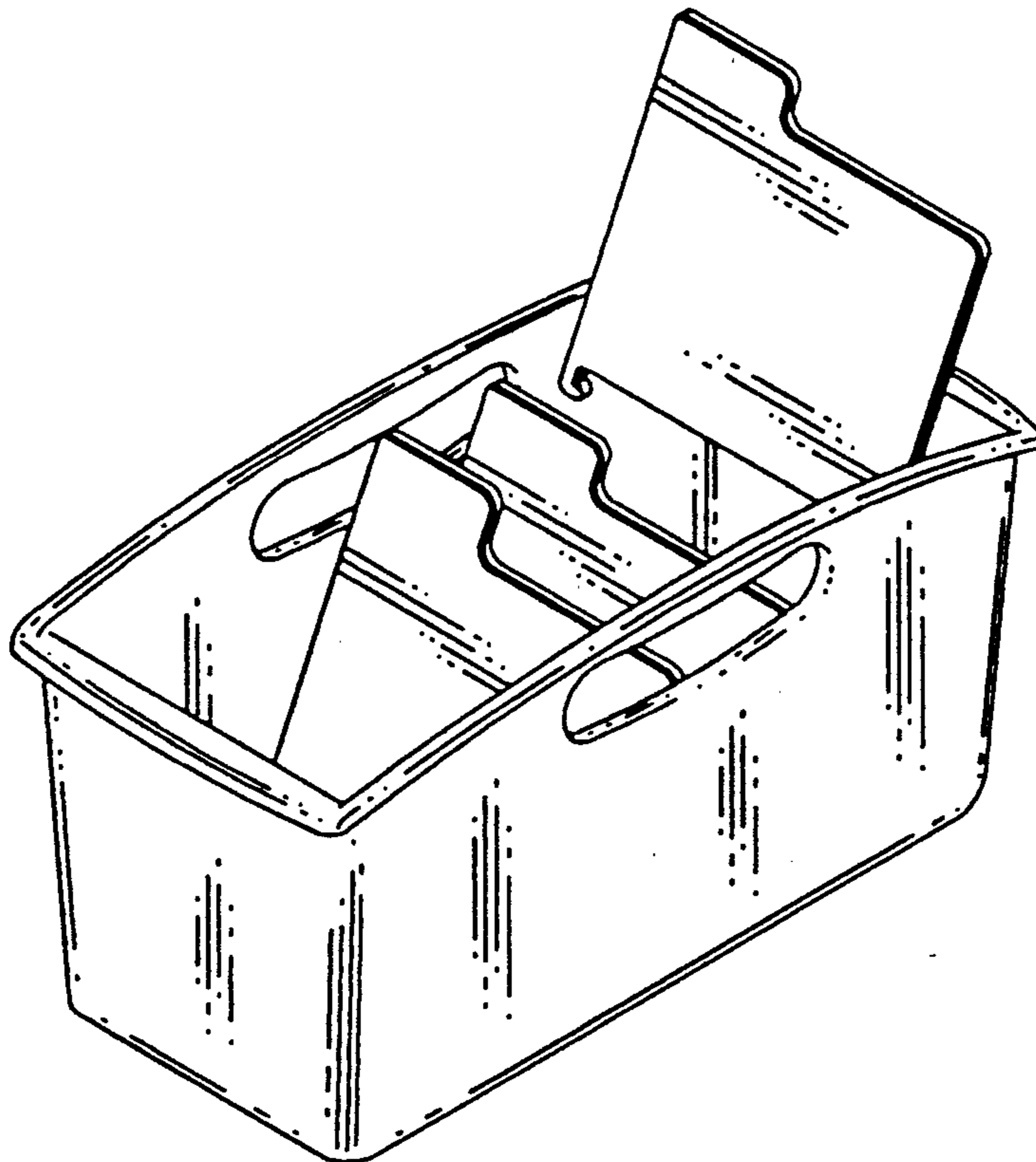
FIG. 2 is a front elevational view thereof, the rear being a mirror image;

FIG. 3 is a top plan view thereof;

FIG. 4 is a bottom plan view thereof;

FIG. 5 is a right side elevational view thereof, the left side being identical thereto; and,

FIG. 6 is a perspective view of a modified form of the portable disk storage container or similar article shown in FIG. 1, the top, bottom and sides being identical to those shown in FIGS. 3, 4 and 5 respectively.



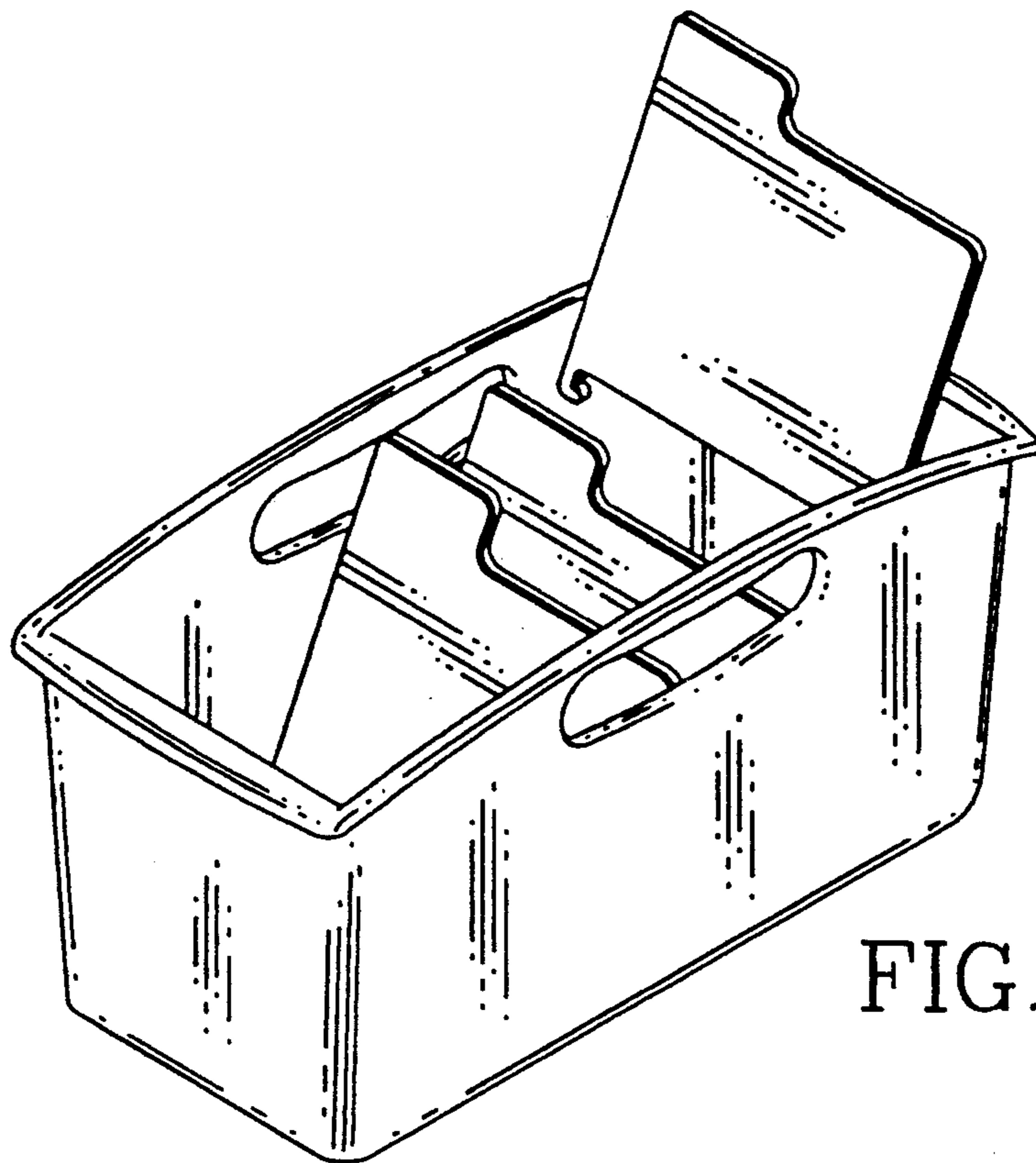


FIG. 1

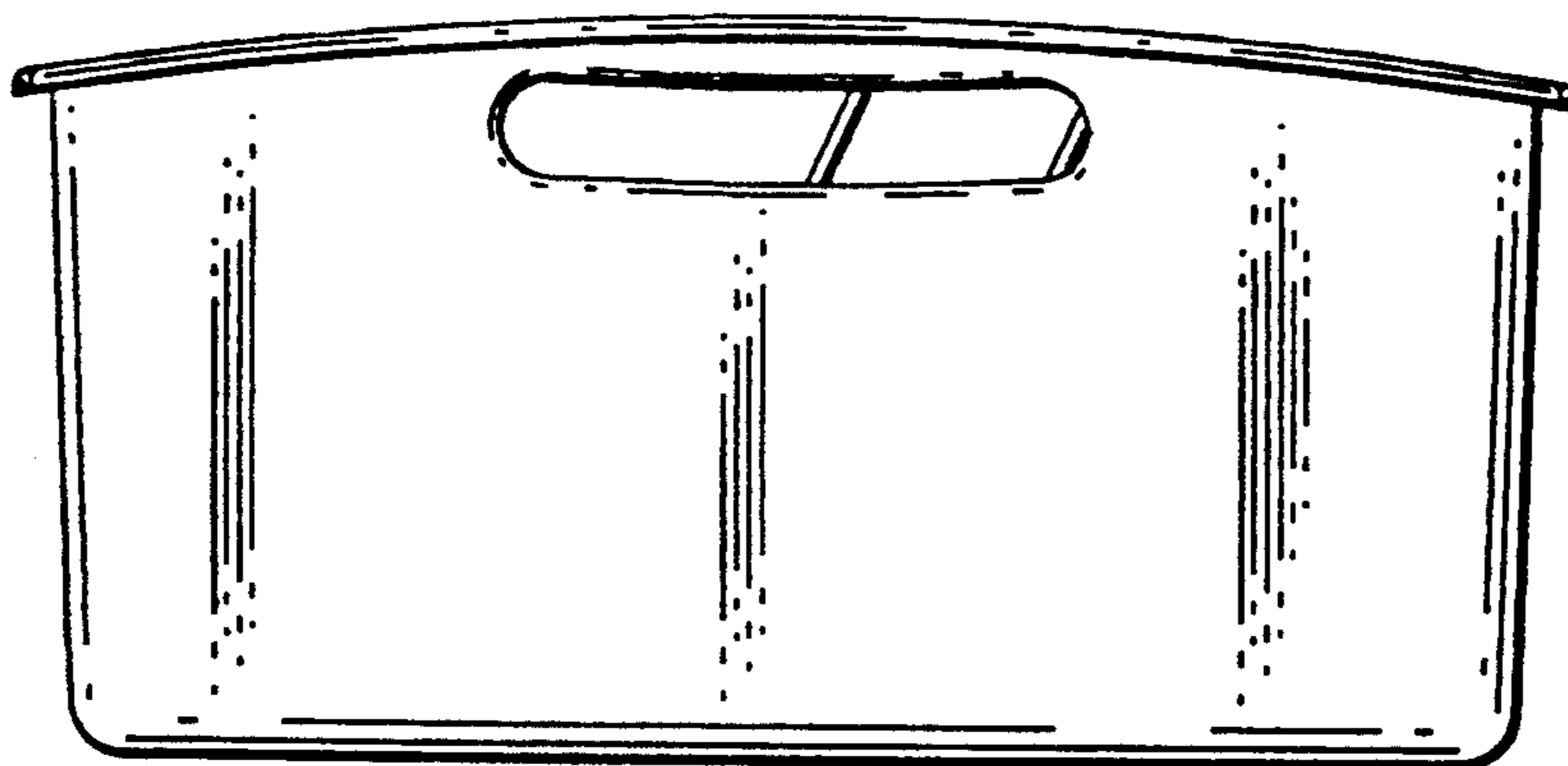


FIG. 2

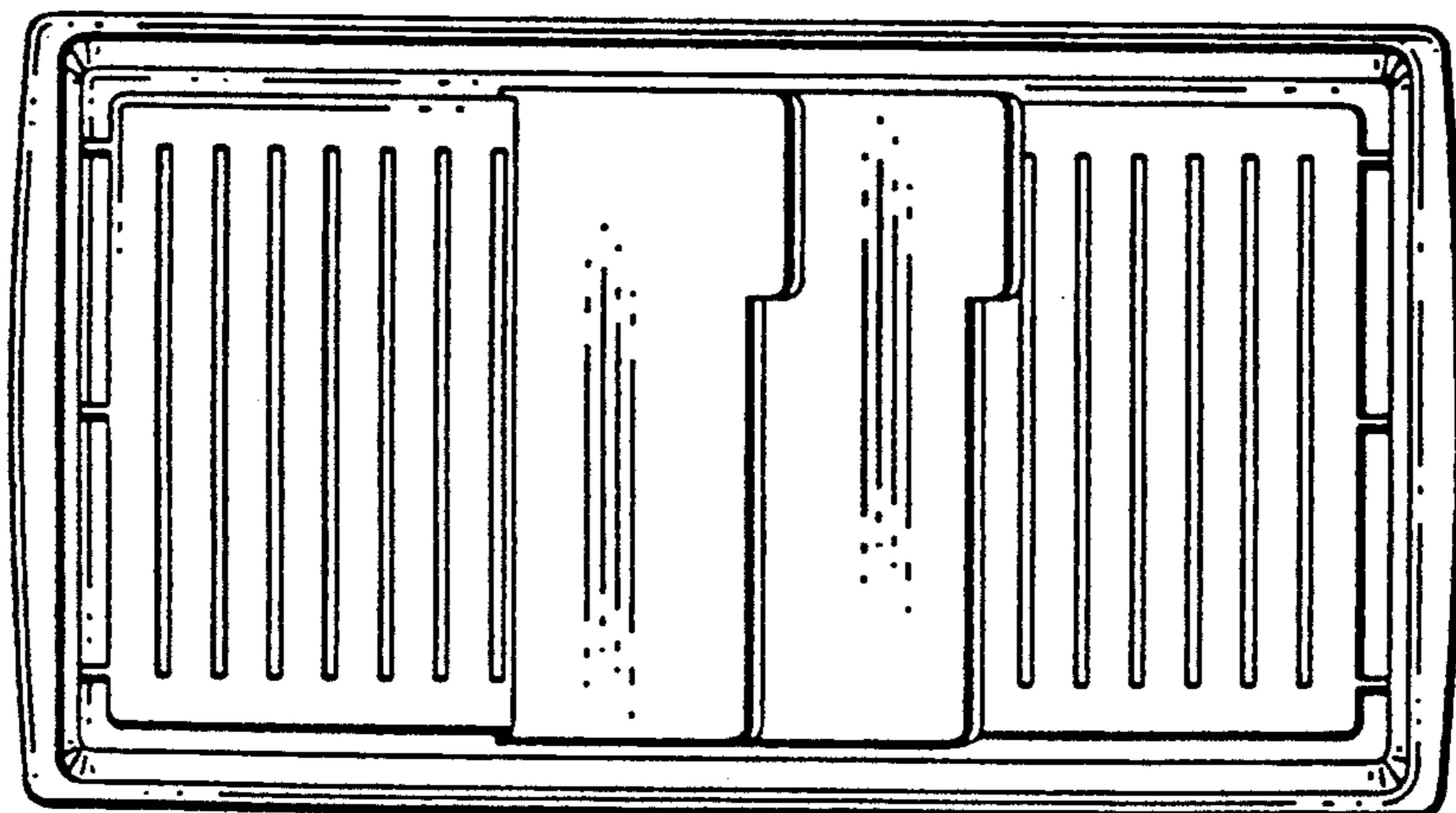


FIG. 3

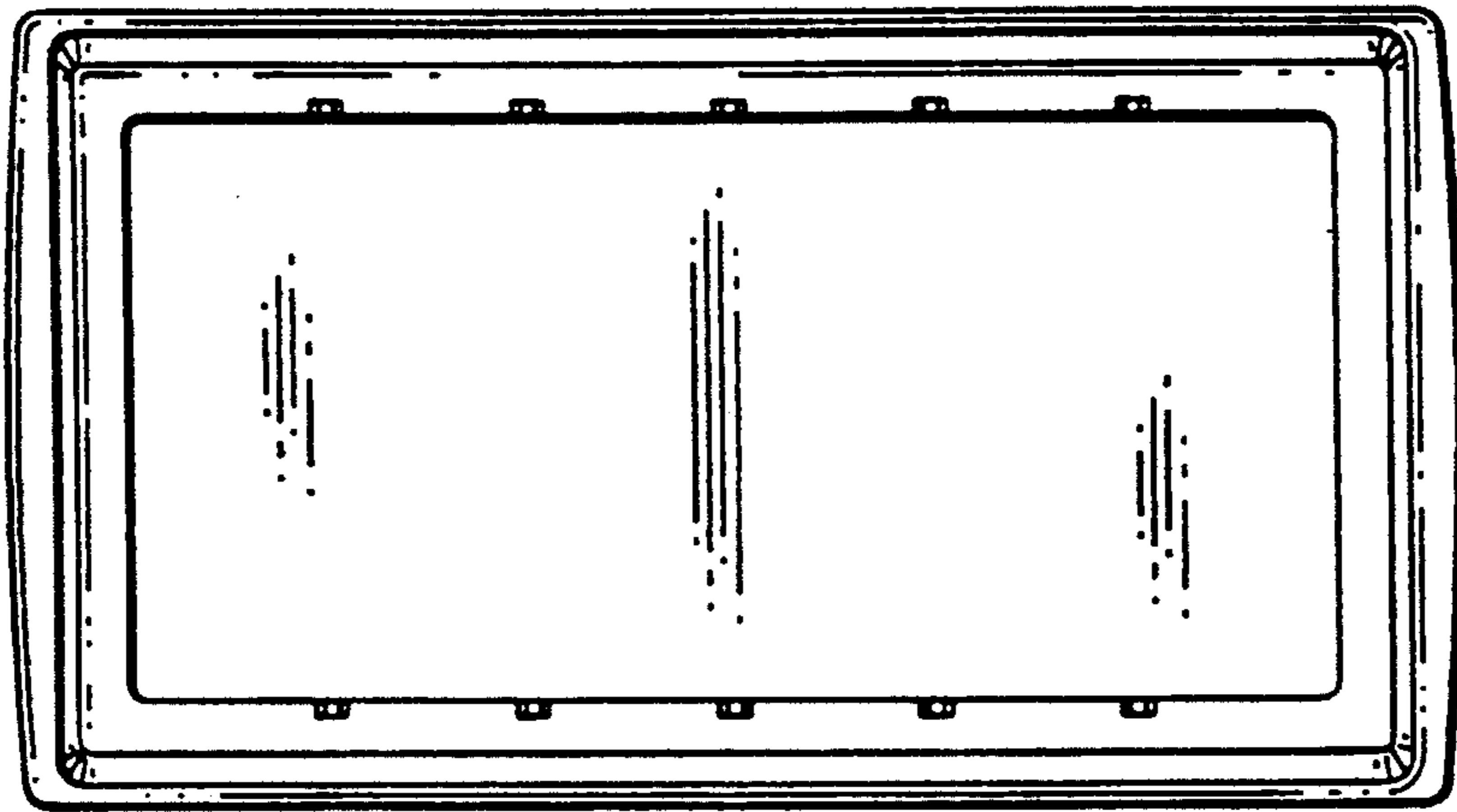


FIG. 4

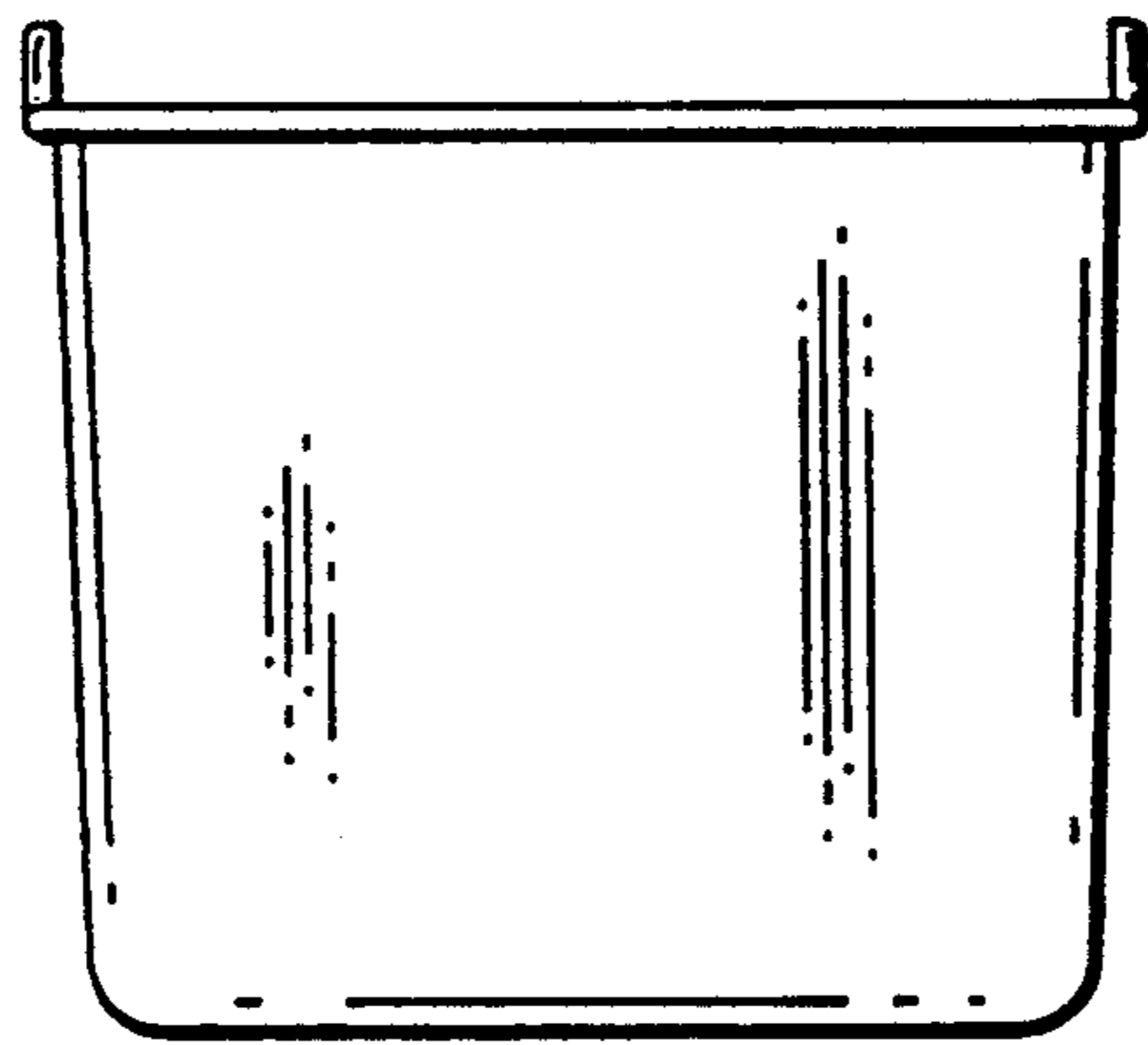


FIG. 5

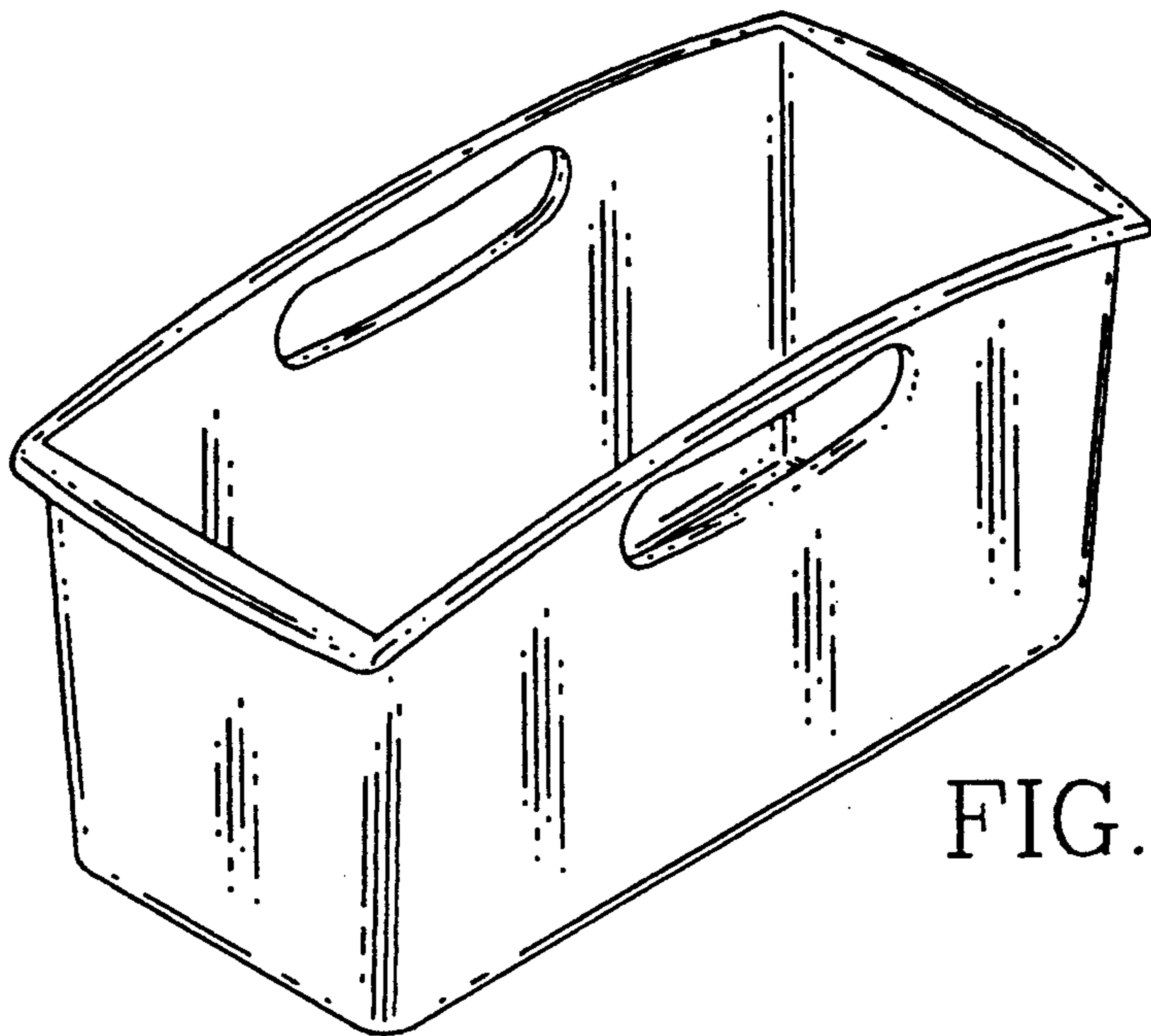


FIG. 6