



US00D333907S

United States Patent [19]

[11] Patent Number: **Des. 333,907**

Greene

[45] Date of Patent: **** Mar. 16, 1993**

[54] **SHOE SOLE FOOT FRAME**

[75] Inventor: **Pamela S. Greene, Portland, Oreg.**

[73] Assignee: **Nike, Inc., Beaverton, Oreg.**

[**] Term: **14 Years**

[21] Appl. No.: **877,775**

[22] Filed: **May 4, 1992**

[52] U.S. Cl. **D2/314**

[58] Field of Search **D2/264, 265, 274, 278, D2/308-314, 317-322; 36/25 R, 28, 29, 32 R, 43-45, 83, 84, 88, 89, 101-107, 112-114, 132, 136**

D. 319,337	8/1991	Hatfield	D2/320
D. 321,776	11/1991	Hatfield	D2/314
D. 321,973	12/1991	Hatfield	D2/320
D. 323,423	1/1992	Rogers	D2/320
D. 324,131	2/1992	Lucas	D2/314
D. 325,667	4/1992	Smith, III	D2/320
4,327,503	5/1982	Johnson	36/32 R
4,611,412	9/1986	Cohen	36/28
4,817,304	4/1989	Parker et al.	36/114
4,947,560	8/1990	Fuerst et al.	36/88

OTHER PUBLICATIONS

Nike catalog—Spring 1991, p. 78.
Fall 1992 Nike catalog, pp. 8, 10, 34, 84, 106.
Spring 1992 Nike catalog, pp. 46, 48, 74.
Fall 1991 Nike catalog, pp. 12, 84, 82.

Primary Examiner—Louis S. Zarfes
Attorney, Agent, or Firm—Banner, Birch, McKie & Beckett

[56] **References Cited**

U.S. PATENT DOCUMENTS

D. 248,192	6/1978	Stevenson	D2/309
D. 248,428	7/1978	Watanabe	D2/309
D. 249,748	10/1978	Kitamura	D2/309
D. 251,817	5/1979	Inohara	D2/309
D. 256,067	7/1980	Hagg et al.	D2/322
D. 260,196	8/1981	Plagenhoef	D2/379
D. 263,518	3/1982	Cohen	D2/322
D. 265,019	6/1982	Vernonet	D2/320
D. 265,435	7/1982	Vernonet	D2/309
D. 265,521	7/1982	Vernonet	D2/309
D. 286,342	10/1986	Stubblefield	D2/320
D. 287,304	12/1986	Peterson et al.	D2/320
D. 291,147	8/1987	Kelley et al.	D2/320
D. 294,653	3/1988	Le	D2/278
D. 294,656	3/1988	Liggett et al.	D2/320
D. 296,035	6/1988	Le	D2/314
D. 296,149	6/1988	Diaz	D2/320
D. 296,384	6/1988	Tong	D2/320
D. 297,885	10/1988	Tong	D2/320
D. 306,372	3/1990	Diaz et al.	D2/320
D. 307,212	4/1990	Aveni	D2/320
D. 307,664	5/1990	Kiyosawa	D2/320
D. 311,447	10/1990	Hatfield	D2/320
D. 312,917	12/1990	Hatfield	D2/314
D. 312,918	12/1990	Aveni	D2/314
D. 316,324	4/1991	Rogers	D2/320
D. 316,626	5/1991	Hatfield	D2/320

[57] **CLAIM**

The ornamental design for a shoe sole foot frame, as shown and described.

DESCRIPTION

FIG. 1 is a side elevational view of one side of a shoe sole foot frame showing my new design;
FIG. 2 is a side elevational view of the other side of the shoe sole foot frame shown in FIG. 1;
FIG. 3 is a front elevational view of the shoe sole foot frame shown in FIG. 1;
FIG. 4 is a rear elevational view of the shoe sole foot frame shown in FIG. 1;
FIG. 5 is a cross section taken along line 5—5 of FIG. 1;
FIG. 6 is a cross section taken along line 6—6 of FIG. 1; and,
FIG. 7 is a cross sectional view taken along line 7—7 of FIG. 1.
The broken line showing of a shoe sole, including the cupped vertical sides of the sole, and the broken line showing of a shoe upper are for illustrative purposes and form no part of the claimed design.

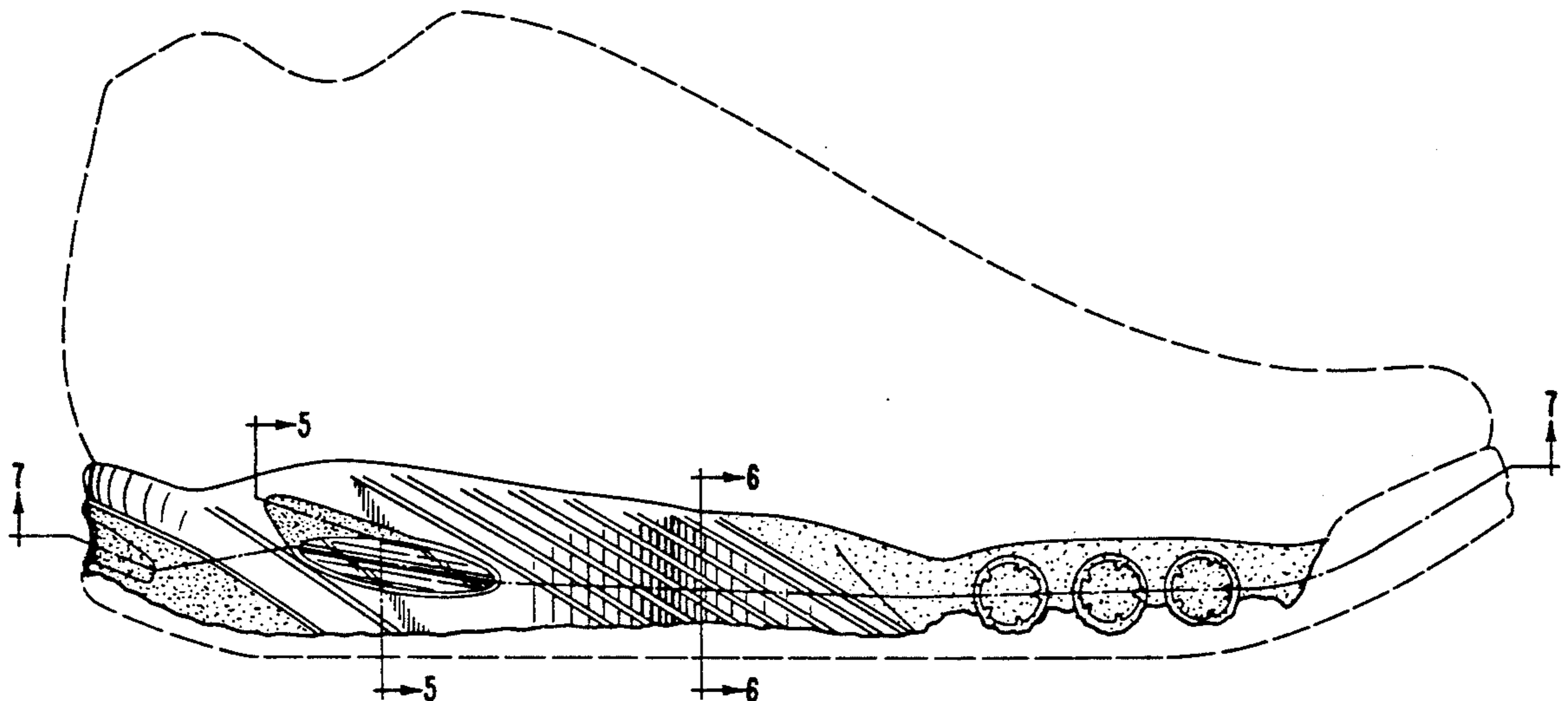
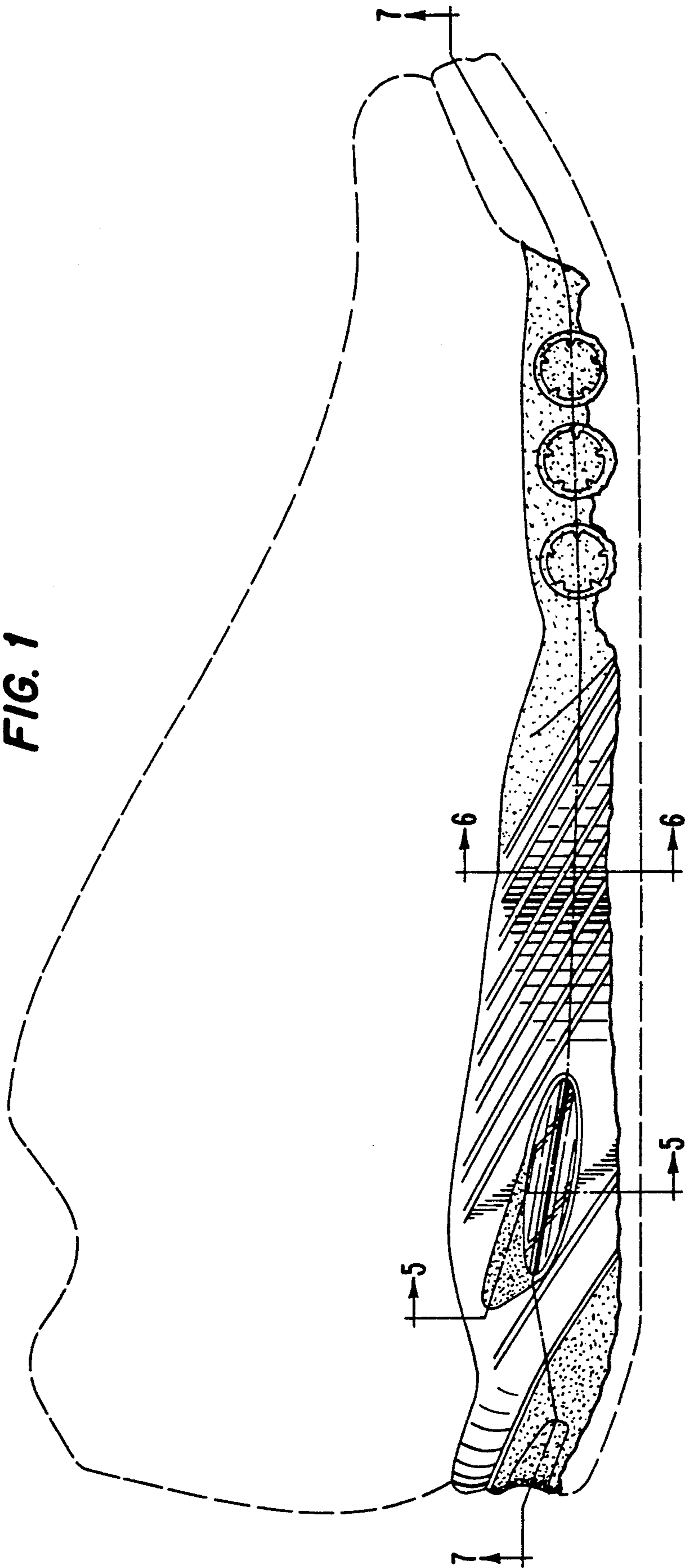


FIG. 1



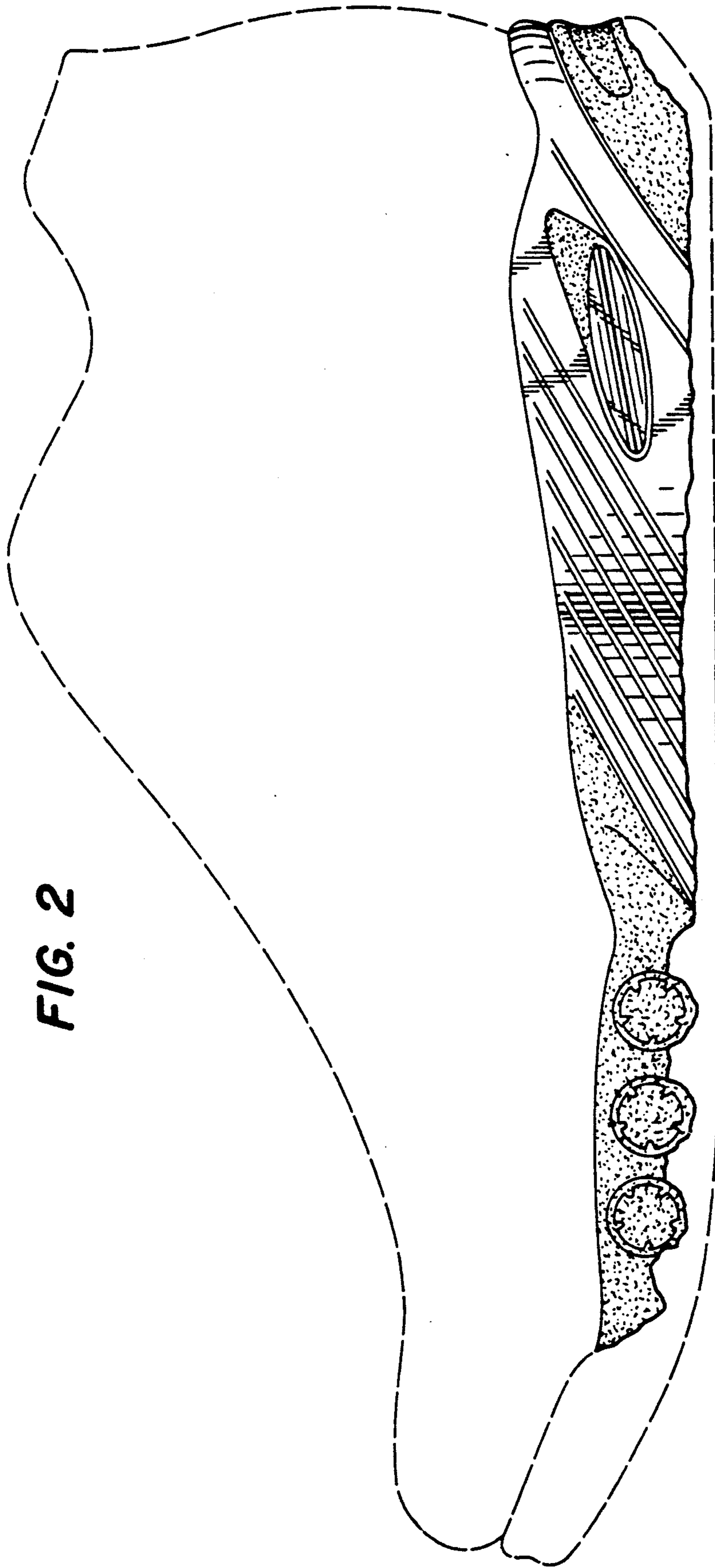


FIG. 2

FIG. 4

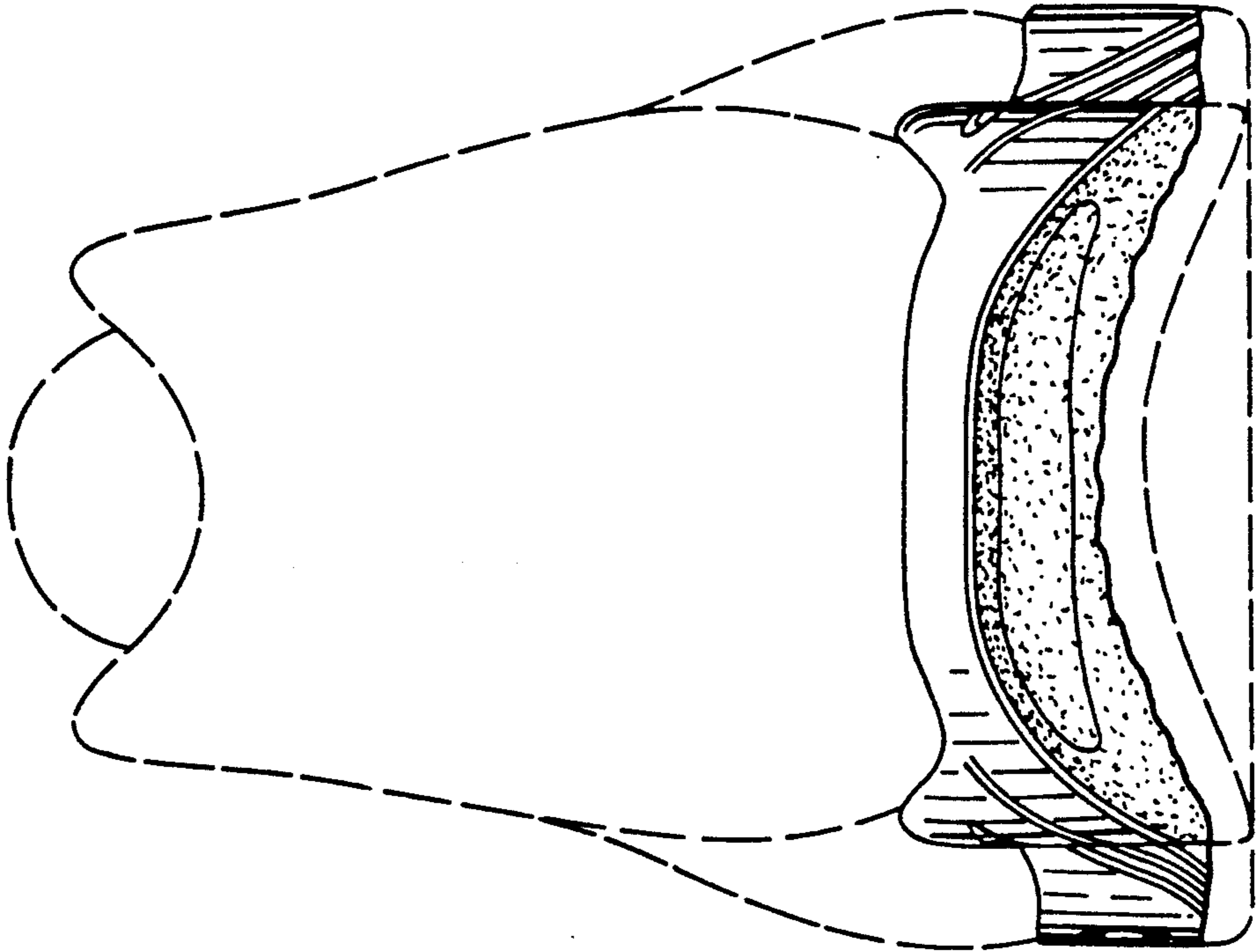
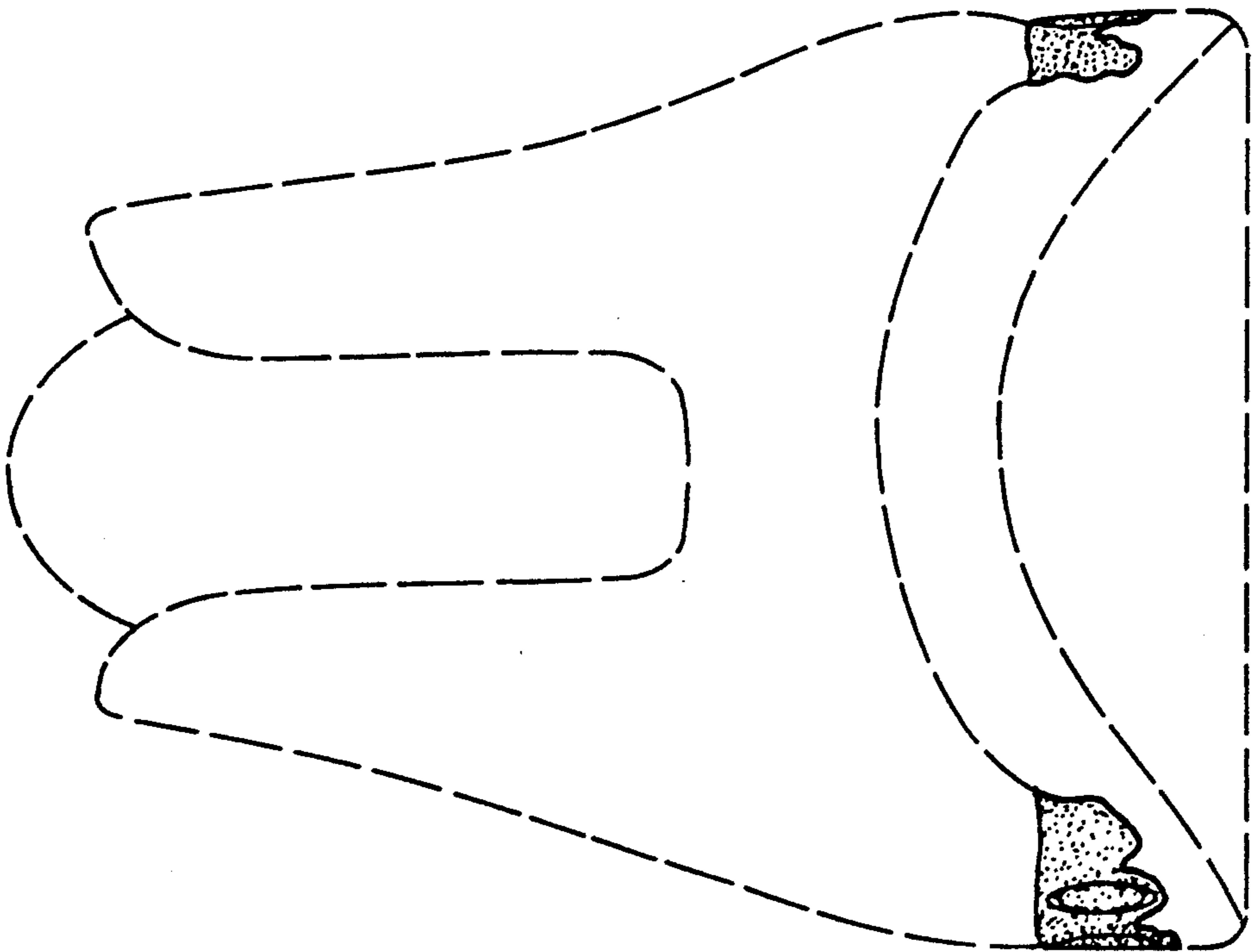


FIG. 3



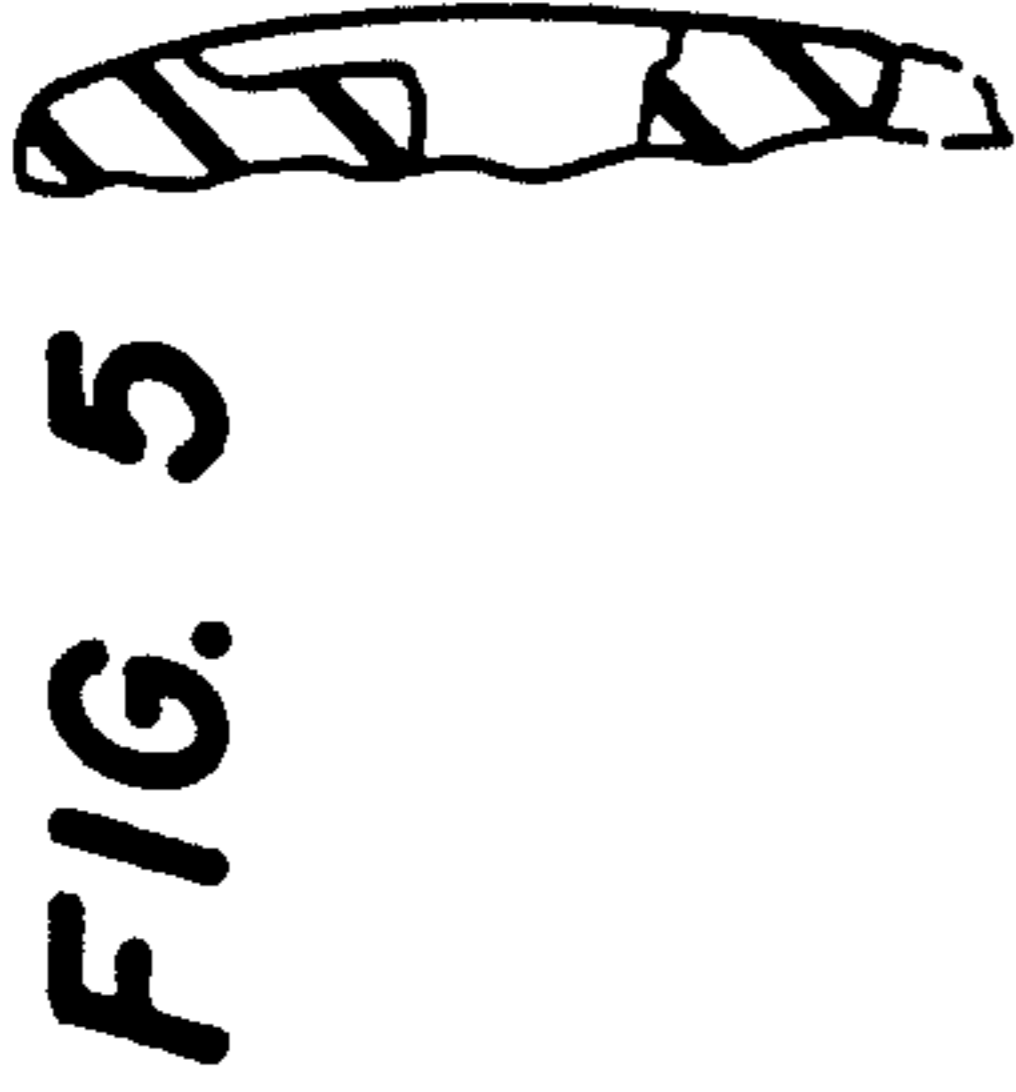


FIG. 5



FIG. 6

FIG. 7

