



US00D333902S

# United States Patent [19]

[11] Patent Number: **Des. 333,902**

Cunningham

[45] Date of Patent: **\*\* Mar. 9, 1993**

## [54] COMBINED TRACTOR TRAILER LIFTER AND SWITCH THEREFOR

[76] Inventor: **Russell D. Cunningham, R.R. 8, Box 399, Decatur, Ill. 62522**

[\*\*] Term: **14 Years**

[21] Appl. No.: **697,463**

[22] Filed: **May 9, 1991**

[52] U.S. Cl. .... **D34/28**

[58] Field of Search ..... **D34/28, 35, 33; 254/423**

### [56] References Cited

#### U.S. PATENT DOCUMENTS

D. 307,965	5/1990	Eley et al. ....	D34/33
3,702,181	11/1972	Keller, Jr. et al. ....	254/423
4,165,861	8/1979	Hanser .....	254/423
4,174,094	11/1979	Valdespino et al. ....	254/423
4,662,610	5/1987	Cofer .....	254/423
4,711,428	12/1987	Carpenter .....	254/423
4,815,711	3/1989	Bruno .....	254/423
4,925,158	5/1990	Yang .....	D34/31 X

### FOREIGN PATENT DOCUMENTS

818610 10/1949 Fed. Rep. of Germany .  
1077822 5/1954 France .

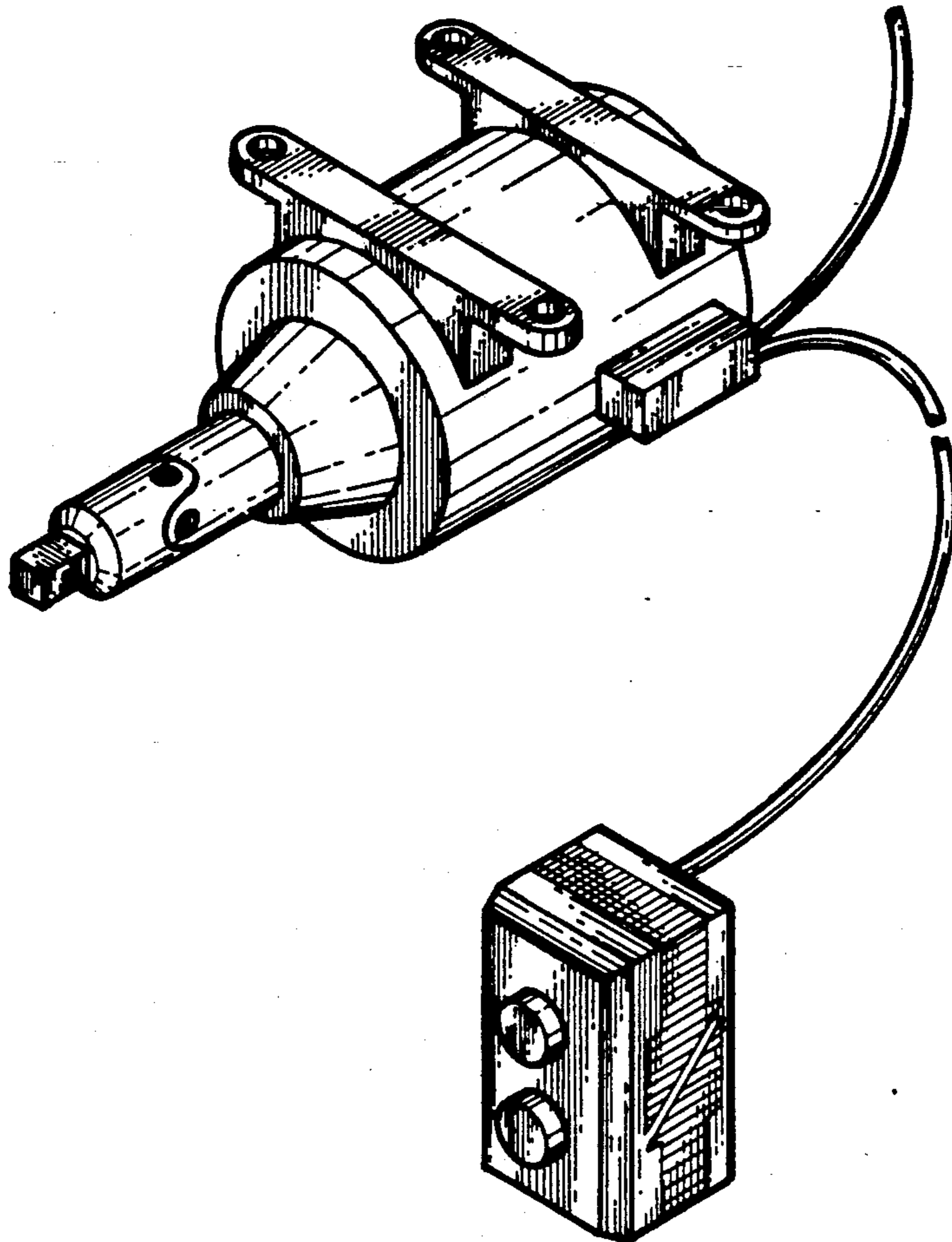
*Primary Examiner*—Wallace R. Burke  
*Assistant Examiner*—H. Baynham  
*Attorney, Agent, or Firm*—Terry M. Gernstein

### [57] CLAIM

The ornamental design for a combined tractor trailer lifter and switch therefor, as shown and described.

### DESCRIPTION

FIG. 1 is a perspective view of a combined tractor trailer lifter and switch therefor showing my new design;  
FIG. 2 is a front elevational view thereof;  
FIG. 3 is a rear elevational view thereof;  
FIG. 4 is a side elevational view thereof;  
FIG. 5 is an opposite side elevational view thereof;  
FIG. 6 is a top plan view thereof; and,  
FIG. 7 is a bottom plan view thereof.  
The cording element of the claimed design is shown broken away to show indeterminate length.



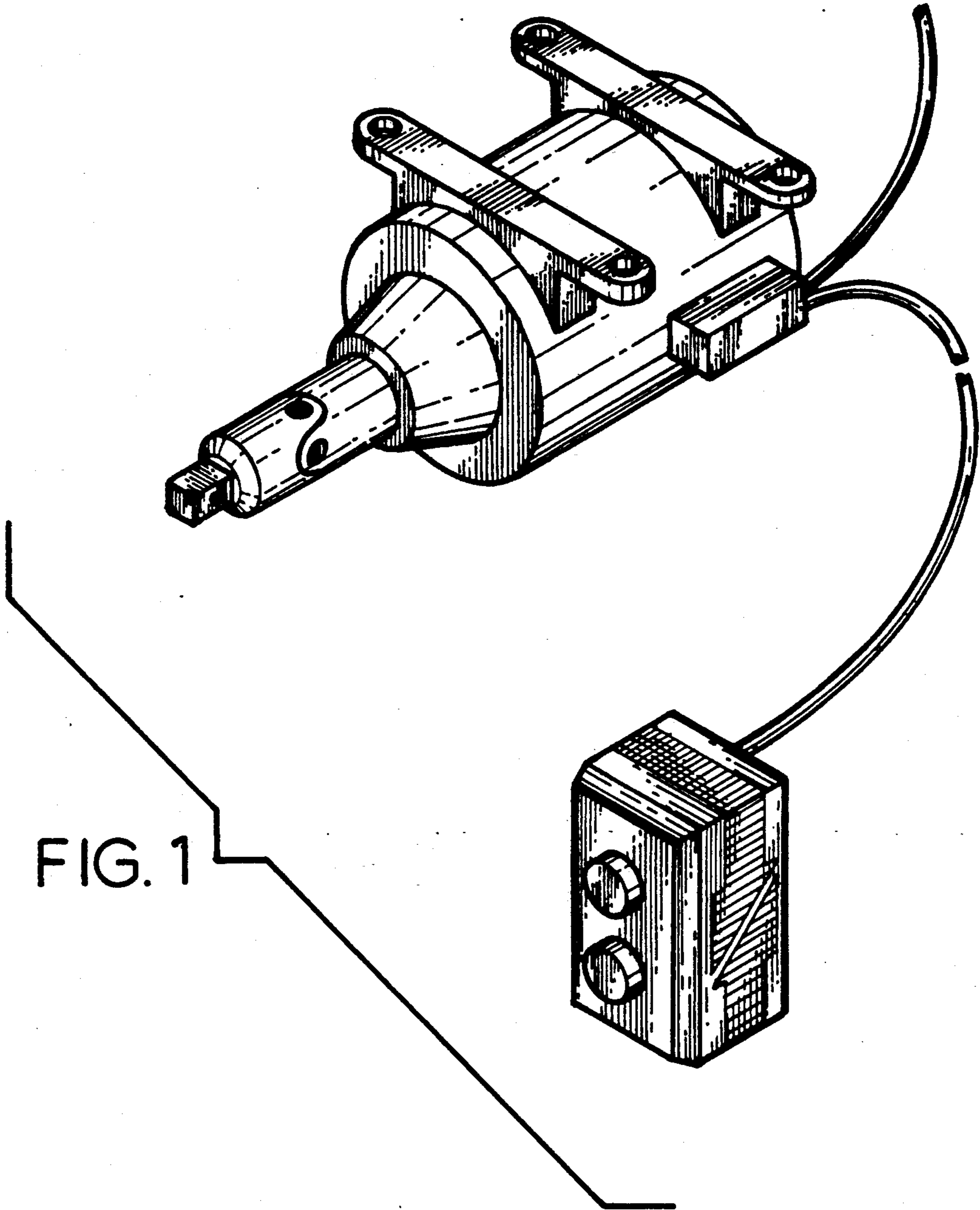


FIG. 1

FIG. 2

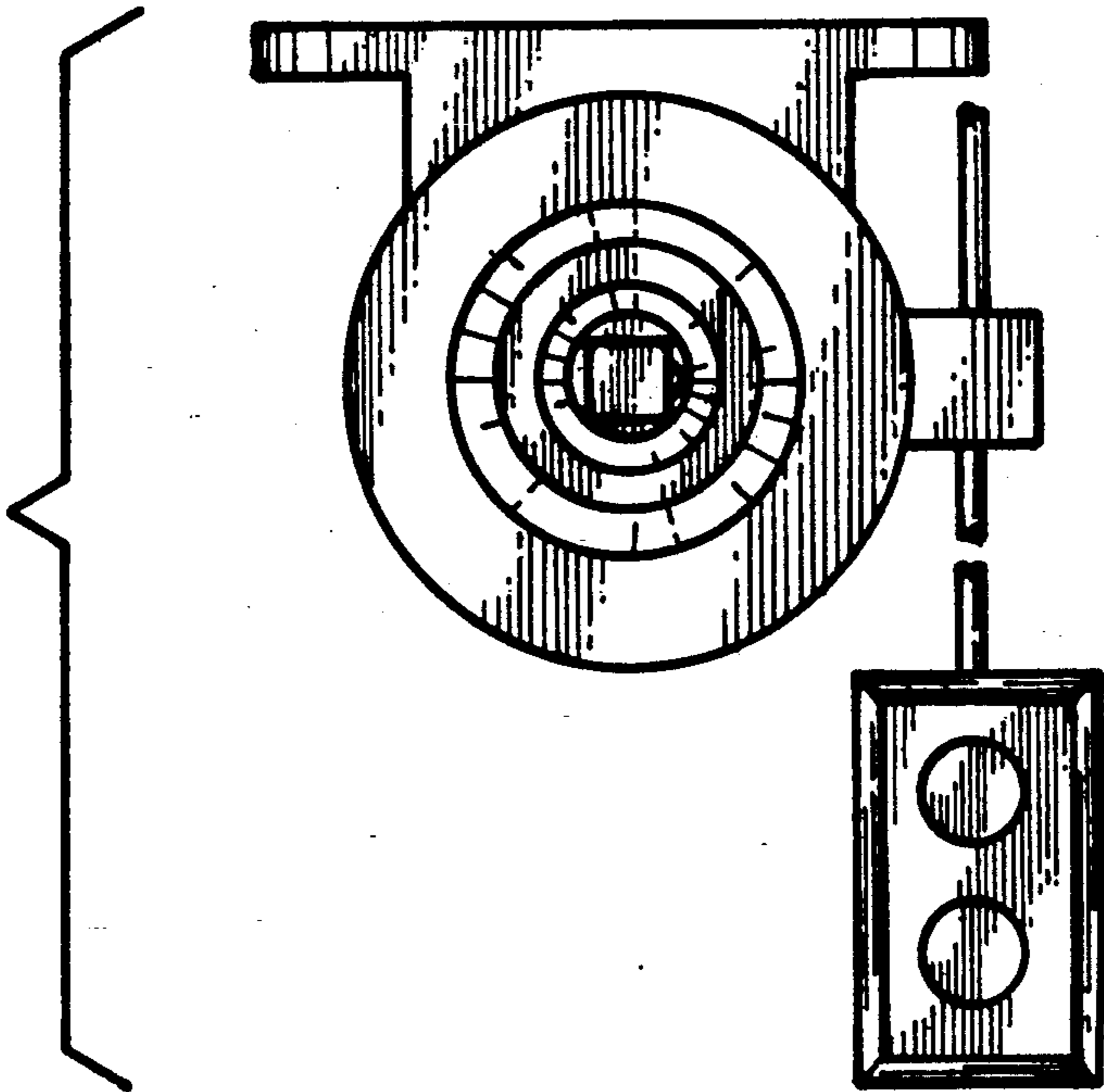
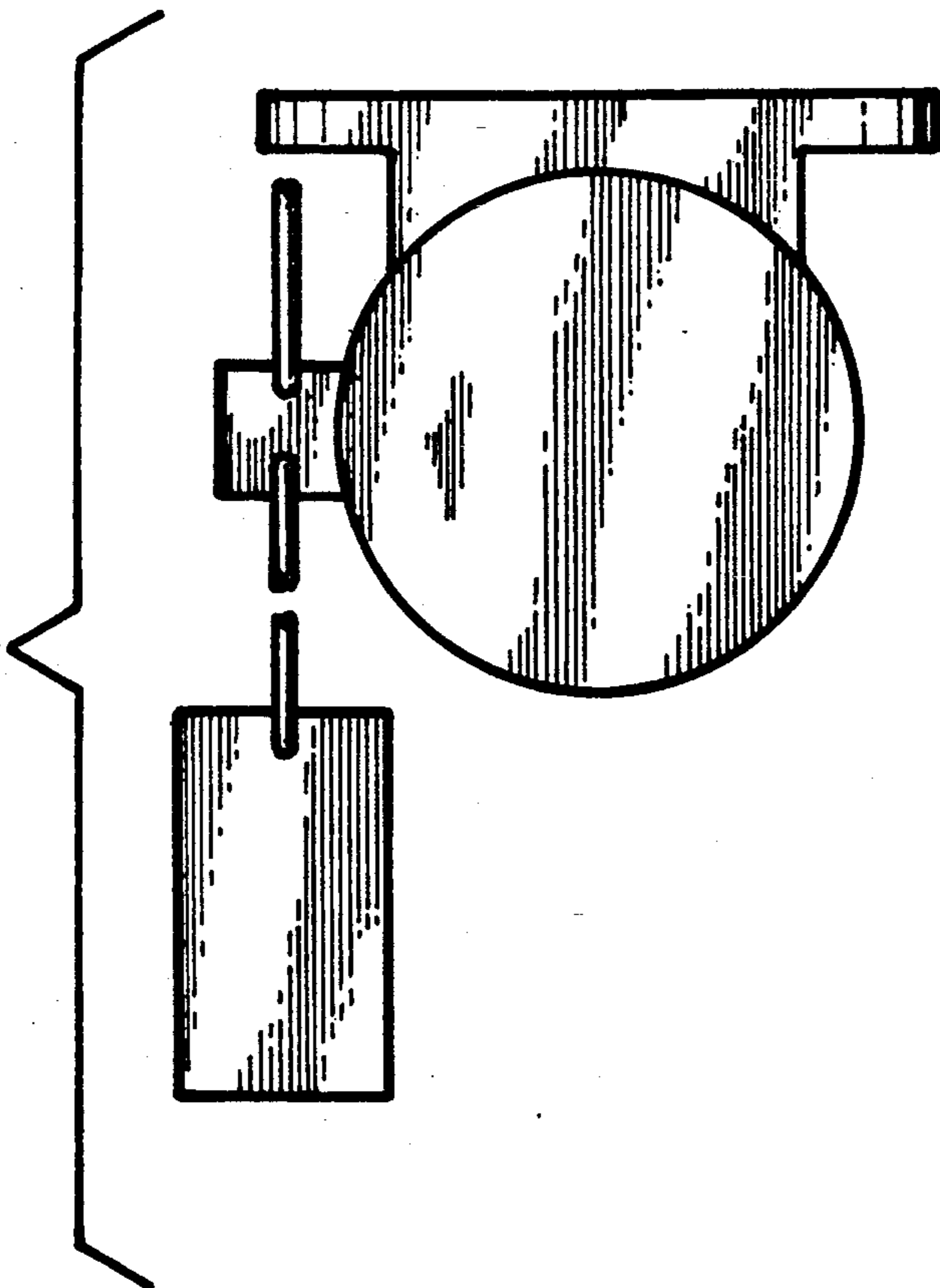


FIG. 3



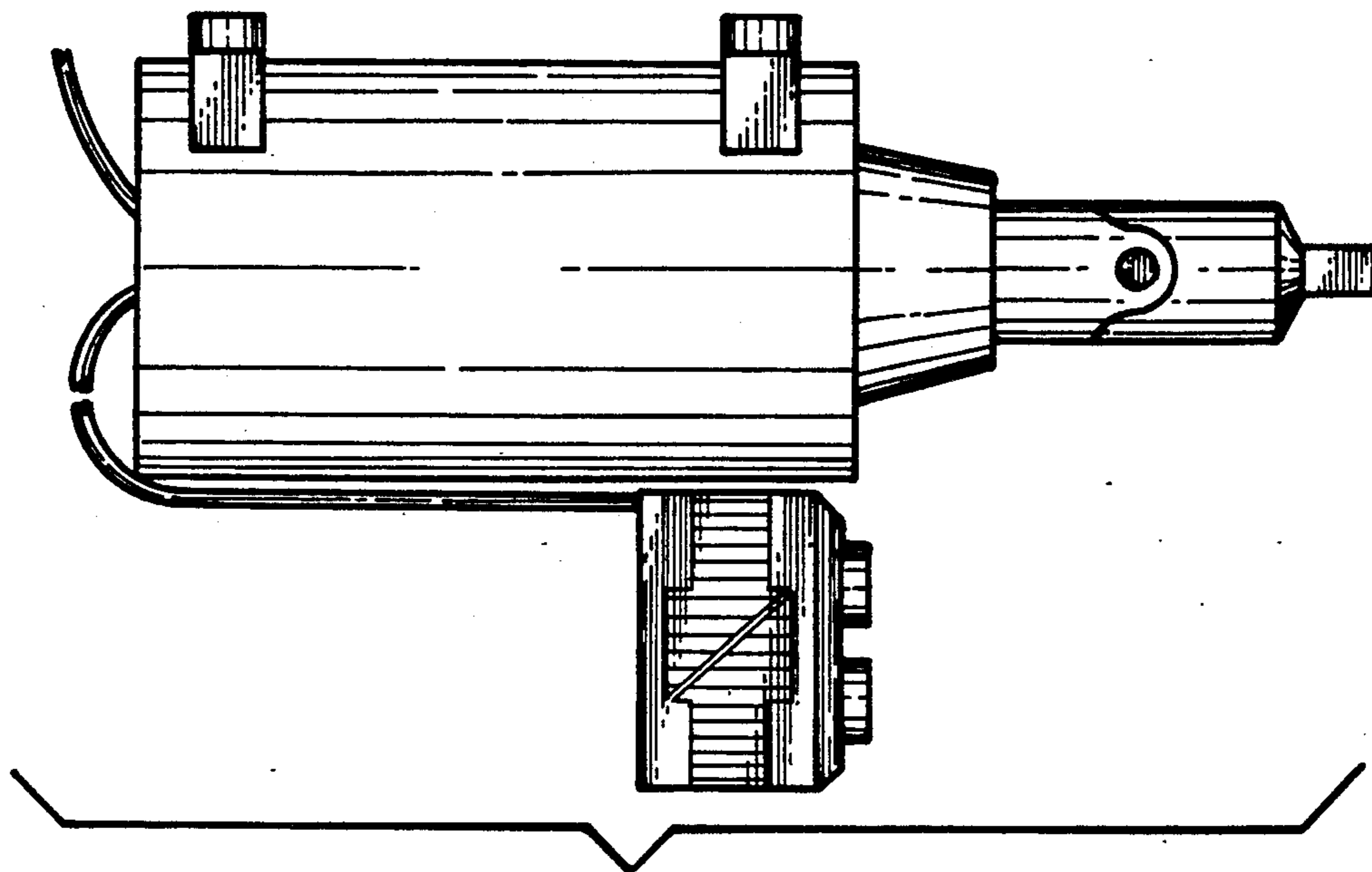


FIG. 4

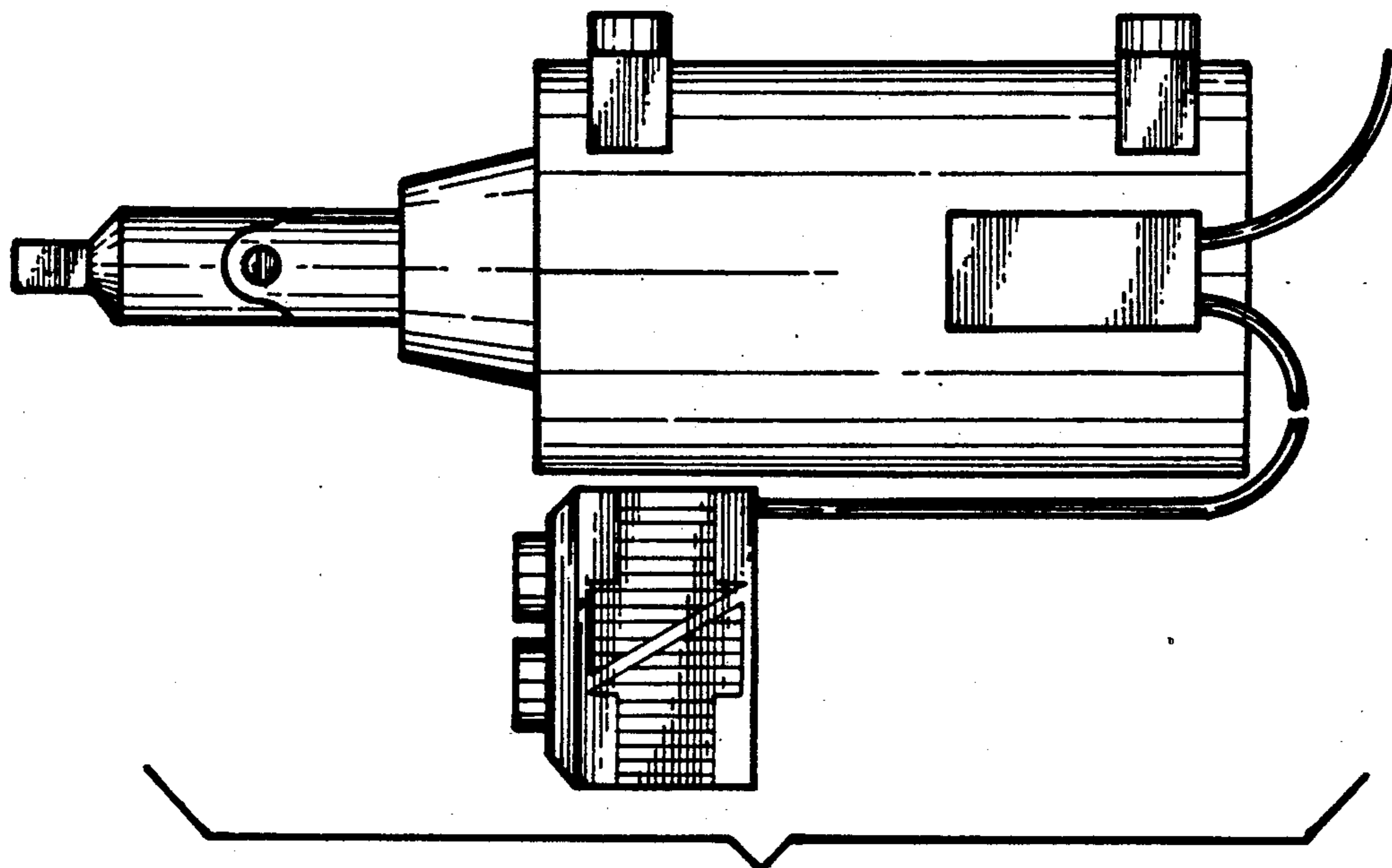


FIG. 5

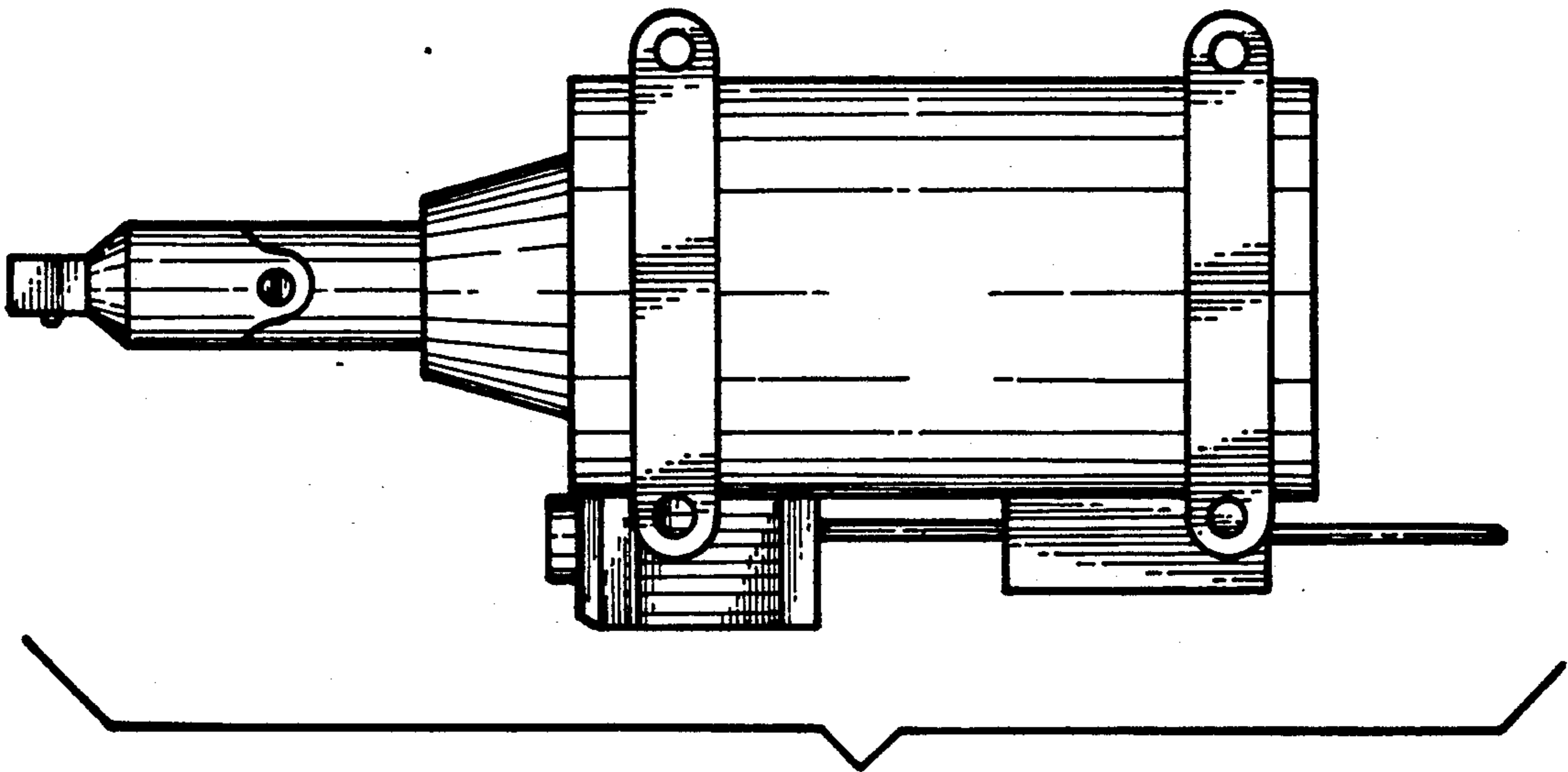


FIG. 6

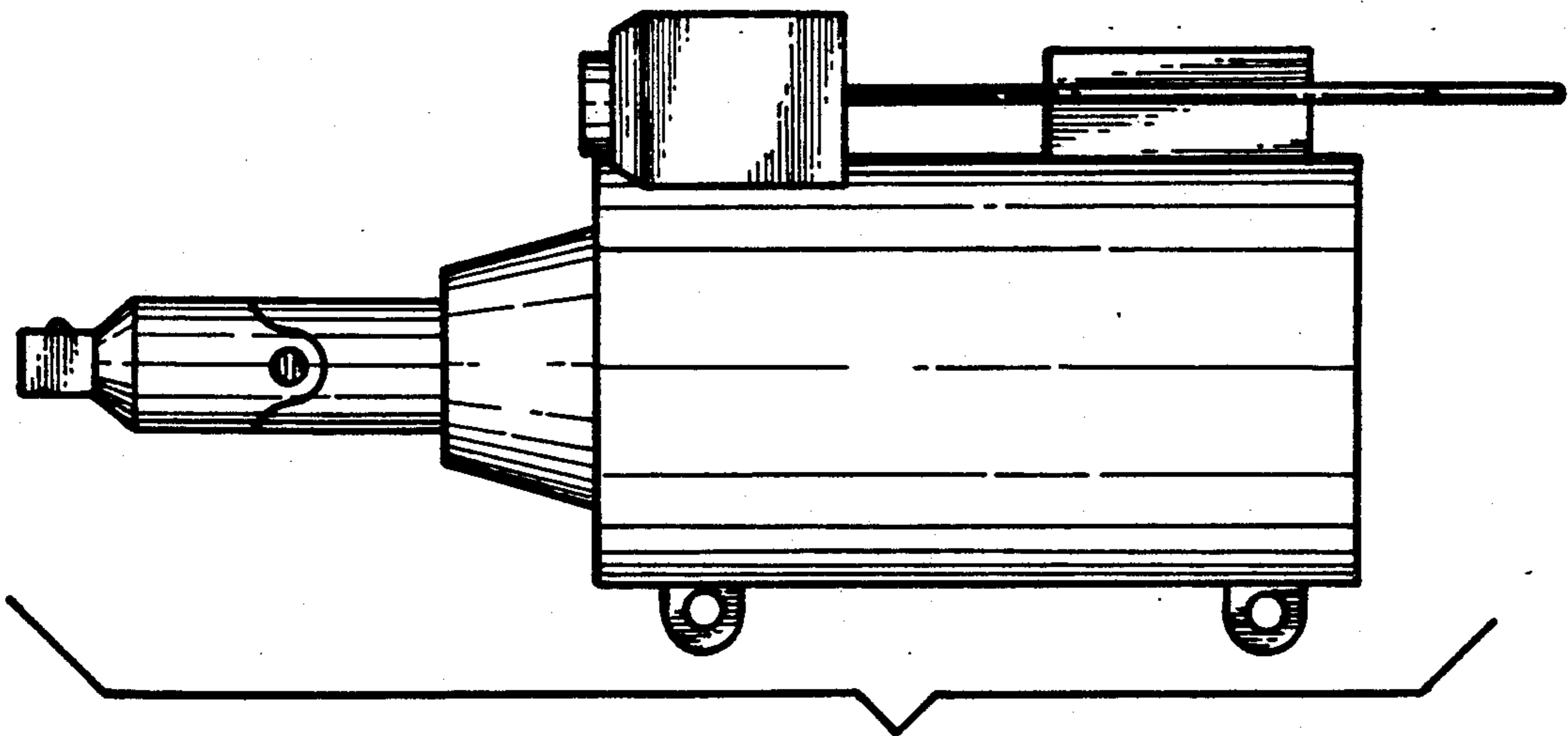


FIG. 7