



US00D333901S

# United States Patent [19]

[11] Patent Number: **Des. 333,901**

**Swartz**

[45] Date of Patent: **\*\* Mar. 9, 1993**

## [54] COLLAPSIBLE BLOCK CARRIER

[76] Inventor: **William K. Swartz**, 1316 Pritz Ave., Dayton, Ohio 45410

[\*\*] Term: **14 Years**

[21] Appl. No.: **624,908**

[22] Filed: **Dec. 6, 1990**

[52] U.S. Cl. .... **D34/28**

[58] Field of Search ..... **D34/28; 294/62, 137, 294/2; D8/14**

tradeshow in Feb., 1989. Disclosure Document No. 161852 for Folding Block Tote.

*Primary Examiner*—Wallace R. Burke  
*Assistant Examiner*—H. Baynham  
*Attorney, Agent, or Firm*—Biebel & French

## [57] CLAIM

The ornamental design for a collapsible block carrier, as shown and described.

## DESCRIPTION

FIG. 1 is a left, front perspective view of a collapsible block carrier showing my new design;  
FIG. 2 is a right rear perspective view thereof;  
FIG. 3 is a bottom plan view thereof;  
FIG. 4 is a right rear perspective view thereof in an extended position;  
FIG. 5 is a bottom plan view thereof in an extended position; and,  
FIG. 6 is a left, front perspective view thereof in an extended position.  
The broken line showing of a hook is for illustrative purposes only and forms no part of the claimed design.

## [56] References Cited

### U.S. PATENT DOCUMENTS

- D. 305,719 1/1990 Babcock ..... D8/14
- 2,579,826 12/1951 Ingram et al. .... 294/62 X
- 4,705,312 11/1987 Vooge et al. .... 294/62

### FOREIGN PATENT DOCUMENTS

- 2610791 9/1977 Fed. Rep. of Germany ..... 294/62
- 1106704 7/1955 France ..... 294/62

### OTHER PUBLICATIONS

Sketches of Block Carrier disclosed at Columbus, Ohio,

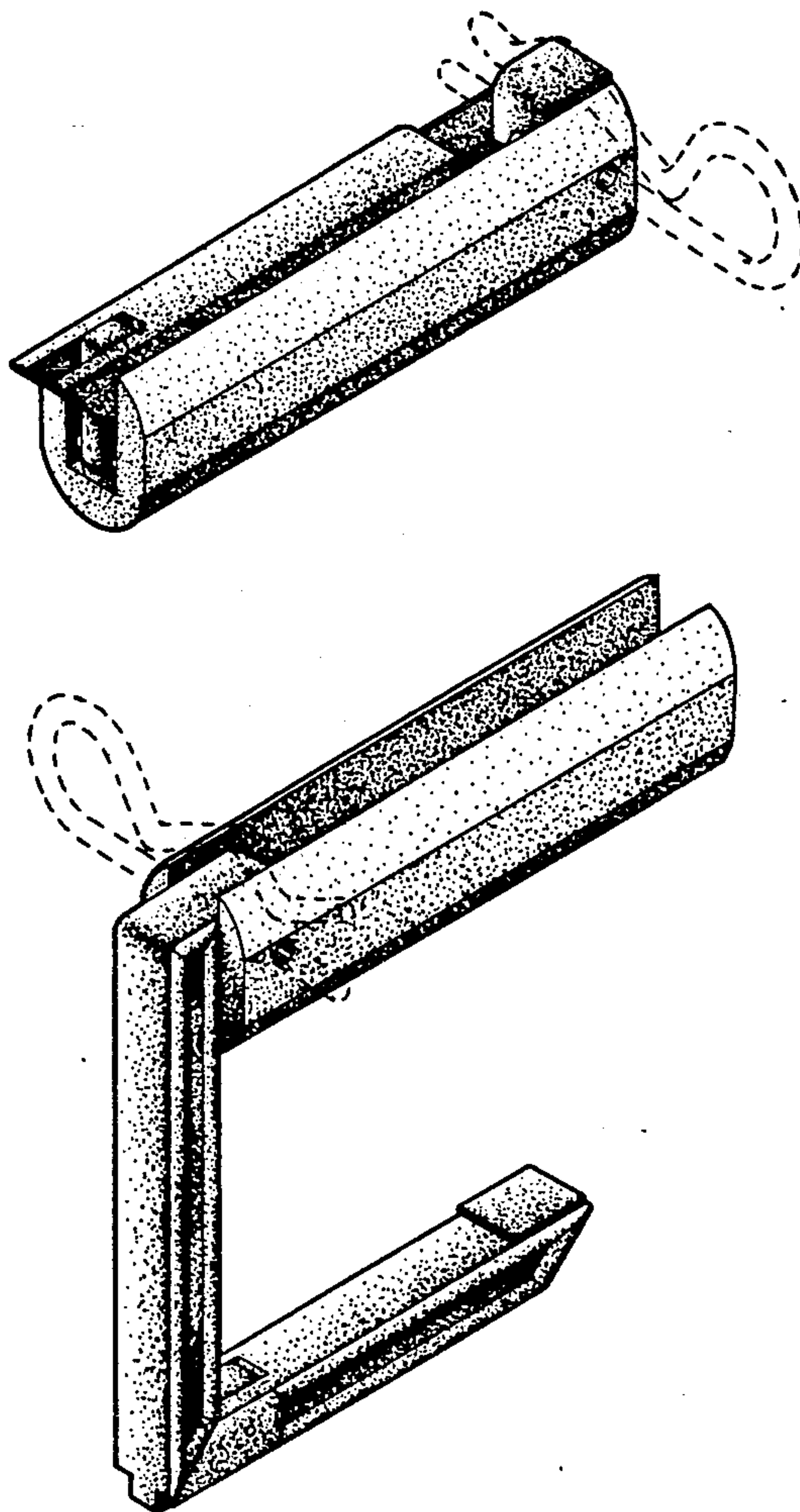


FIG-1

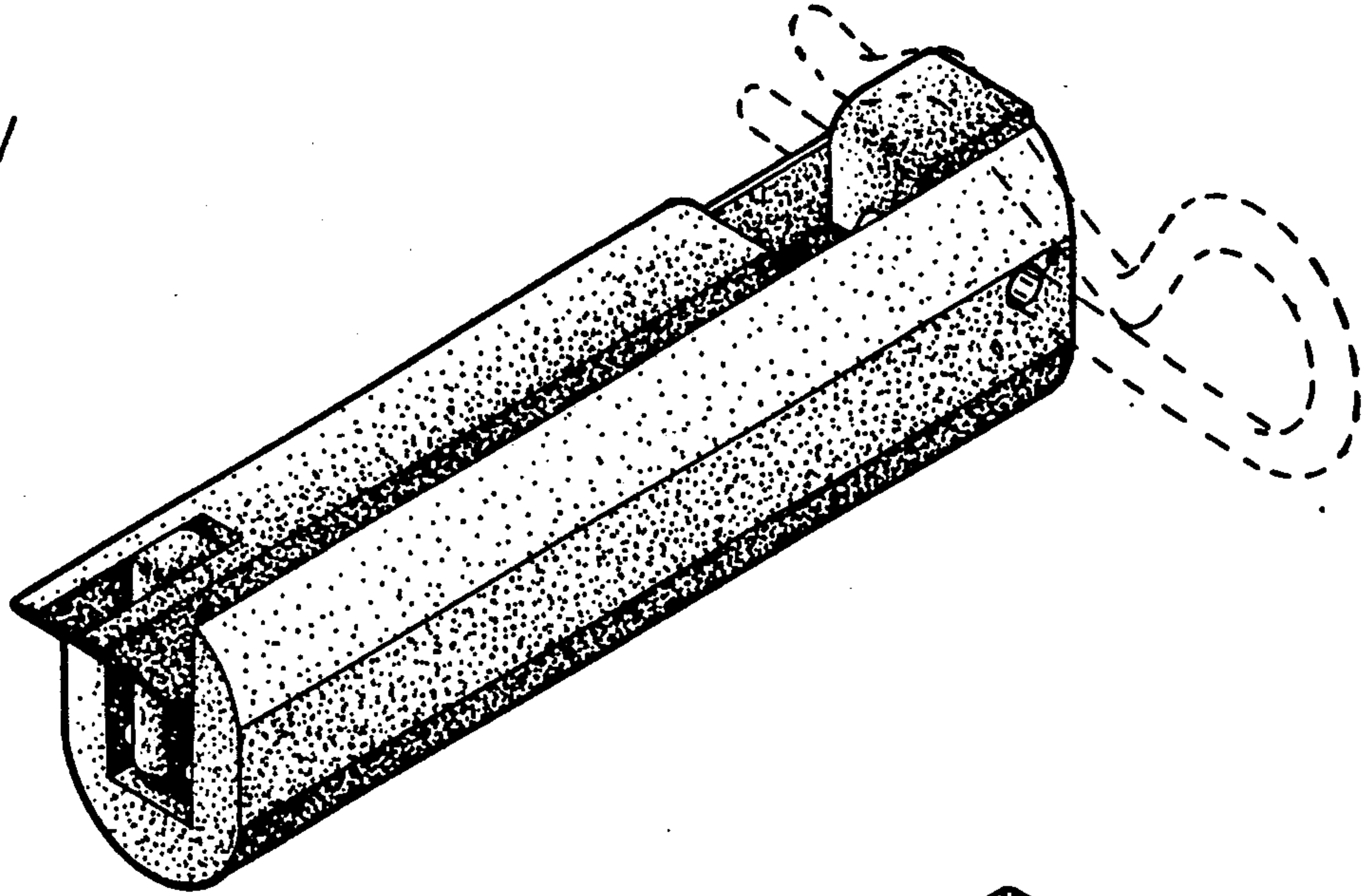


FIG-2

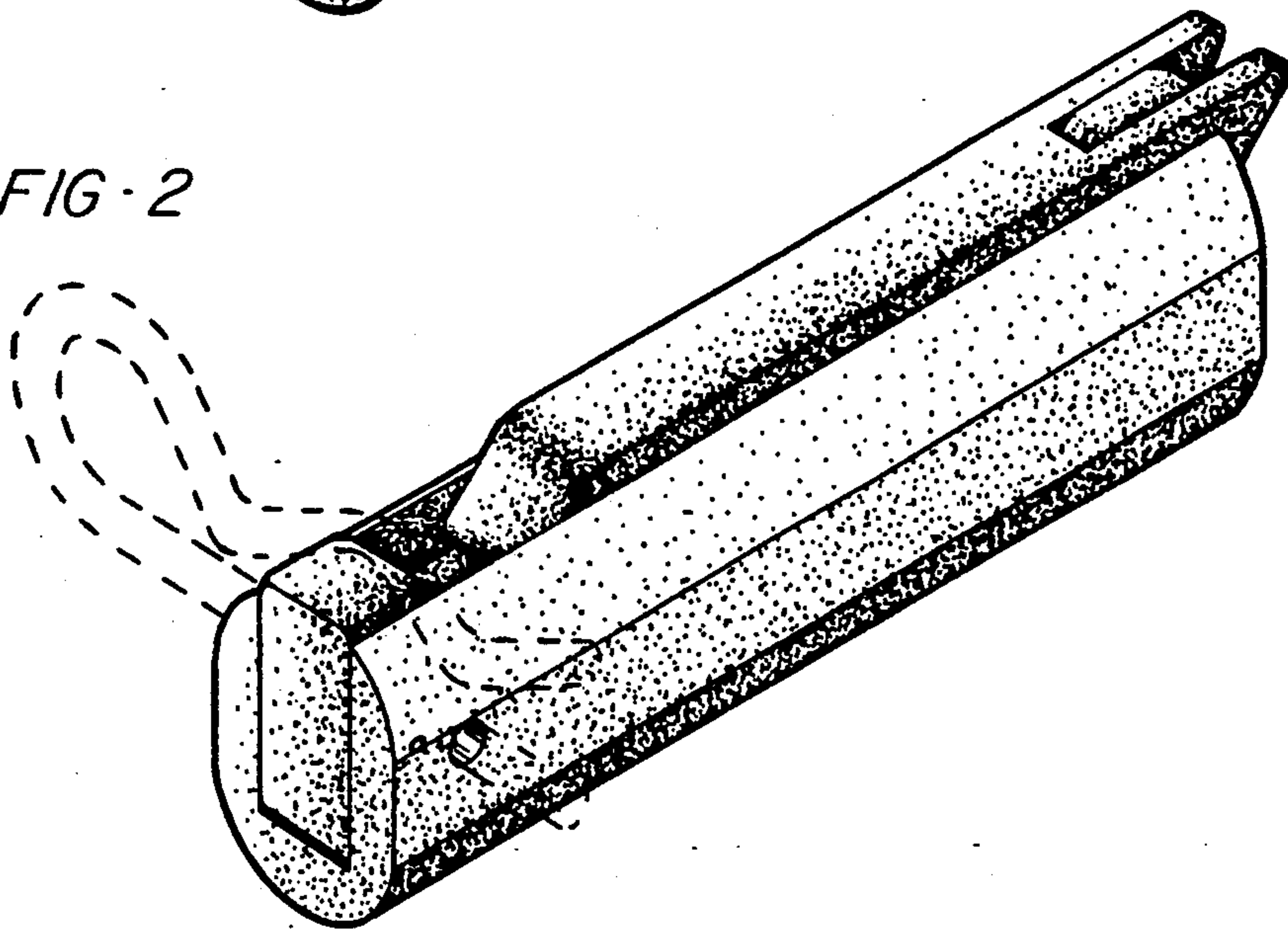


FIG-3

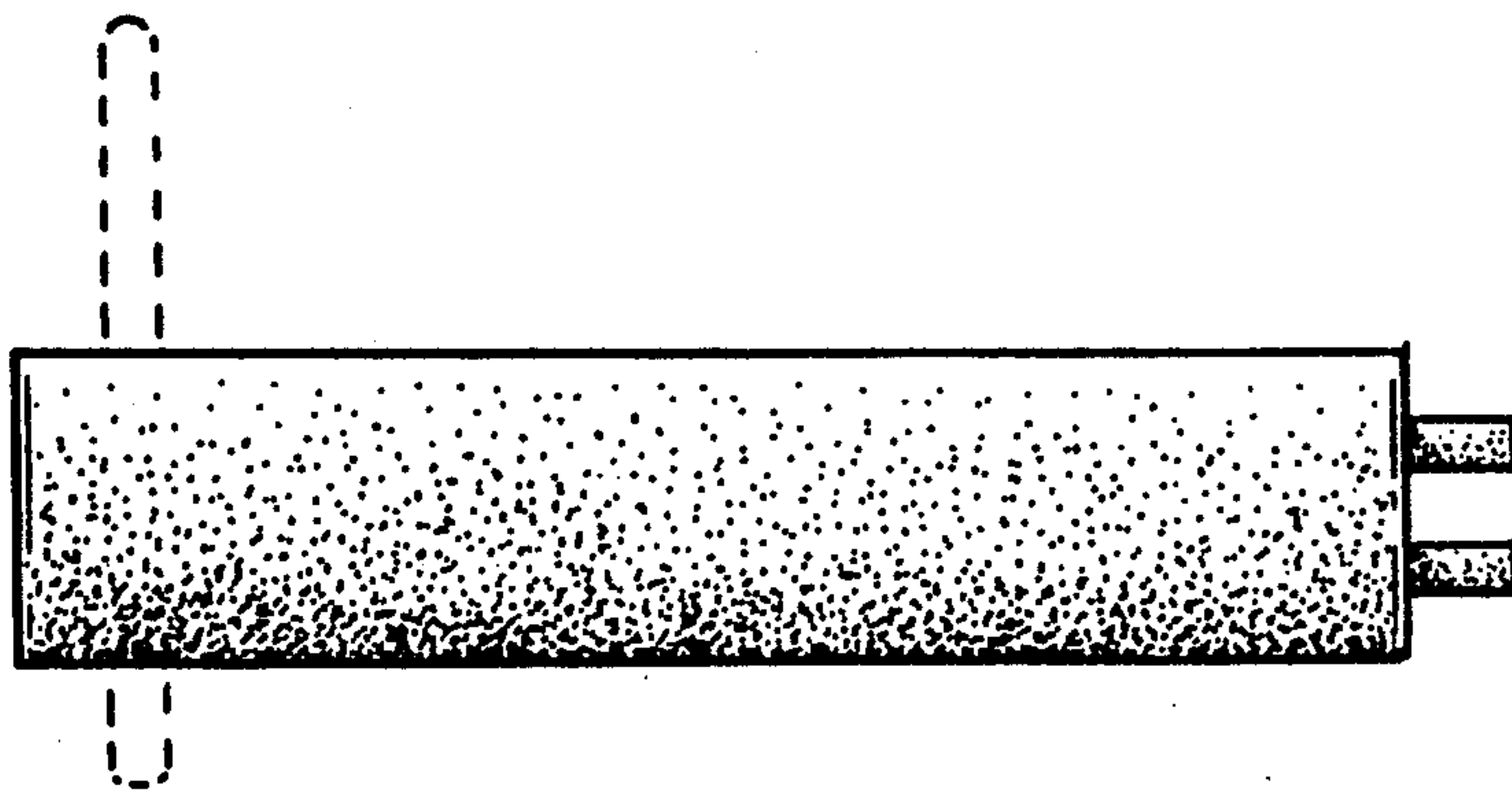




FIG - 4

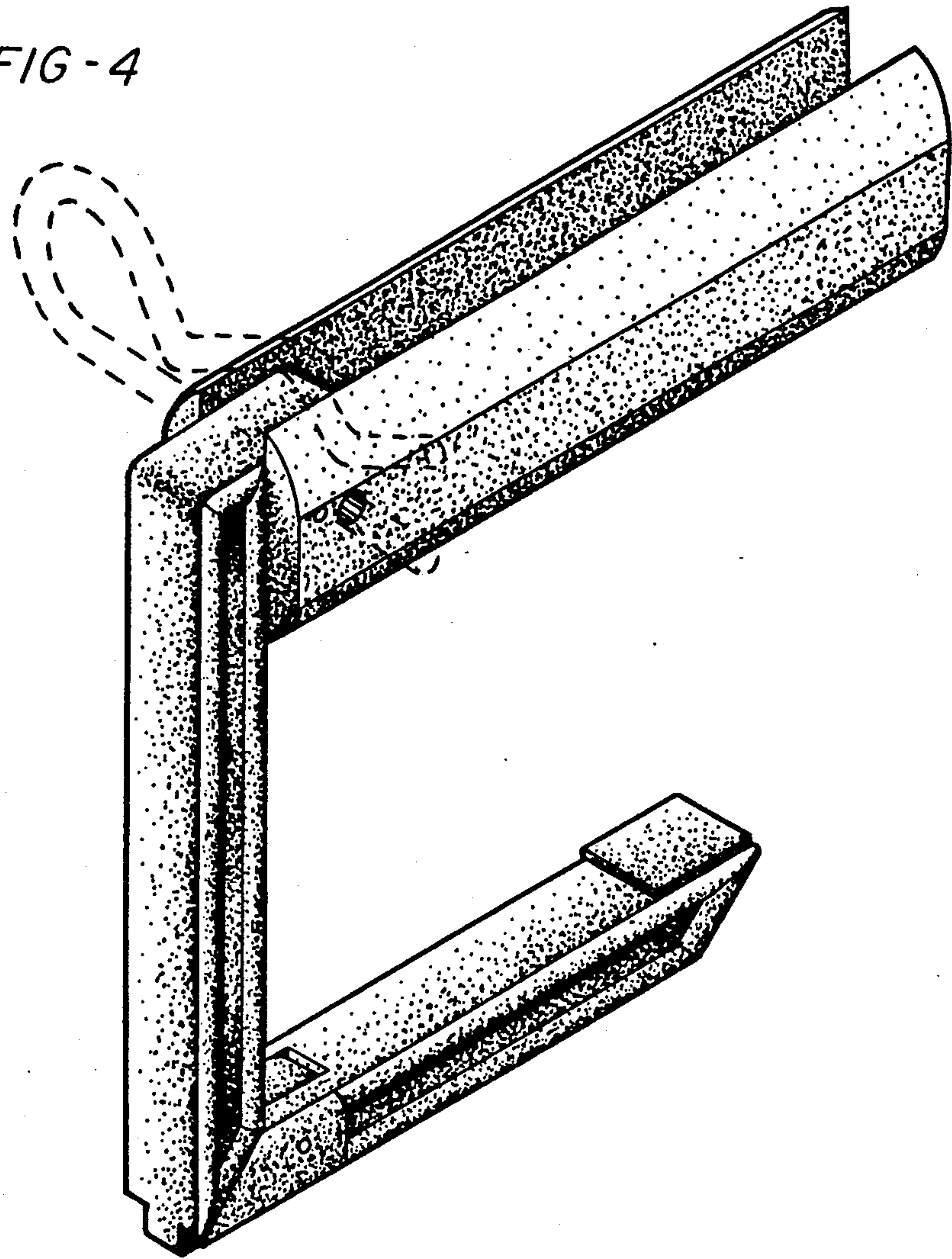


FIG - 5

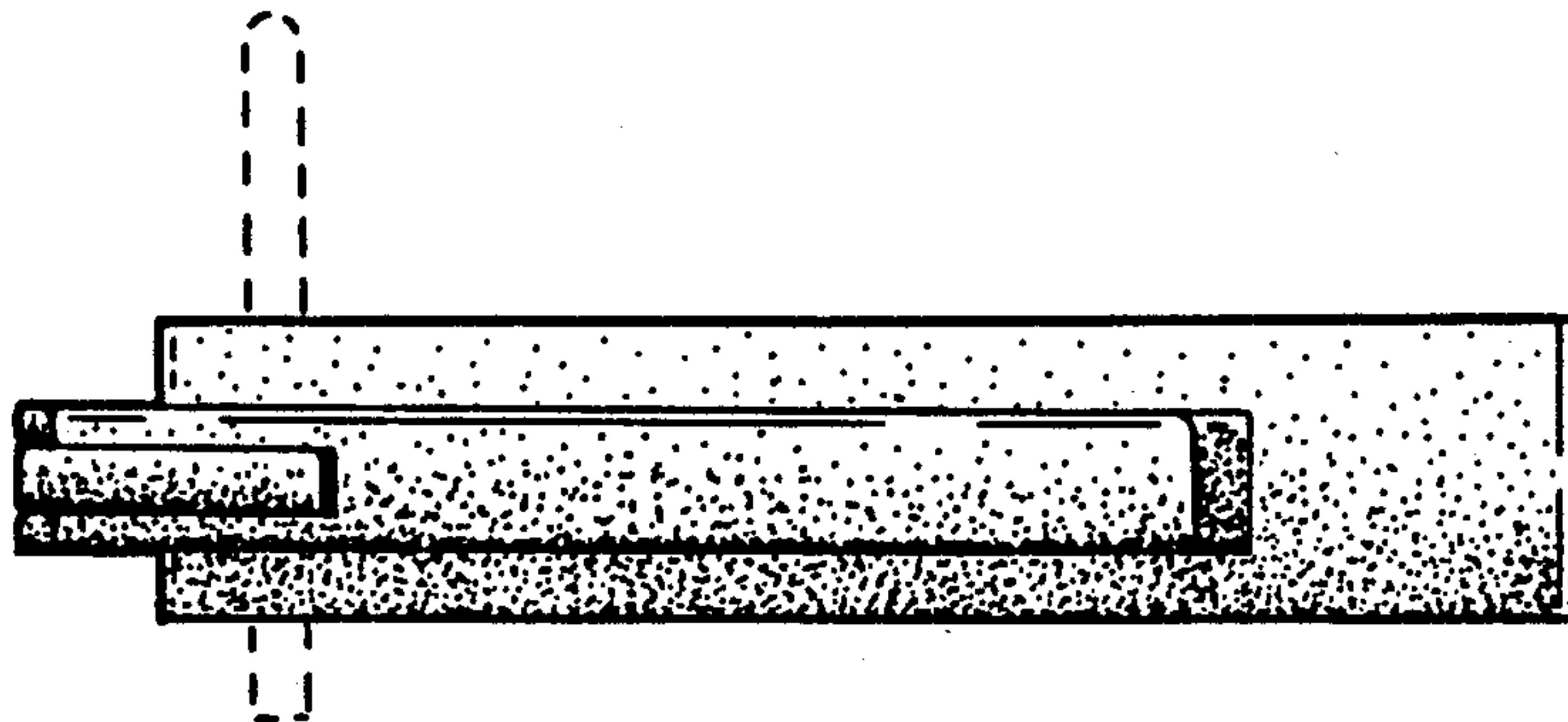


FIG - 6

