



US00D333899S

United States Patent [19]
Caceres

[11] **Patent Number: Des. 333,899**
[45] **Date of Patent: ** Mar. 9, 1993**

[54] **RECREATIONAL CART**

[76] **Inventor: Roberto Caceres, 730 W. 6th,
Freeport, Tex. 77541**

[**] **Term: 14 Years**

[21] **Appl. No.: 600,504**

[22] **Filed: Oct. 19, 1990**

[52] **U.S. Cl. D34/17; D34/12**

[58] **Field of Search D34/12, 17, 18, 19,
D34/24, 25, 26, 27; 280/651, 79.2, 79.11, 35,
639, 47.34**

3,964,762	6/1976	Adams	280/439
4,166,638	9/1979	De Prado	280/638
4,203,609	5/1980	Mitchell	280/47.11
4,244,144	1/1981	Goldberg	46/202
4,396,208	8/1983	Koch	280/789
4,458,906	7/1984	Lamson	280/47.34
4,794,727	1/1989	Smith	47/17
4,796,909	1/1989	Kirkendall	280/651
4,856,810	8/1989	Smith	280/651
4,887,836	12/1989	Simjian	280/651

Primary Examiner—Kay H. Chin
Attorney, Agent, or Firm—Donald J. Verplancken

[56]

References Cited

U.S. PATENT DOCUMENTS

D. 178,157	6/1956	Switzer .	
D. 285,949	9/1986	Thomson et al.	D21/134
1,015,467	1/1912	Ainsworth .	
1,024,469	4/1912	Ballinger .	
1,164,332	12/1915	Brown .	
1,339,109	5/1920	Irrgang .	
1,542,429	6/1925	Weber .	
2,467,932	4/1949	Foulke .	
3,139,244	6/1964	Peterson	280/34
3,346,271	10/1967	Parsons	280/33.99
3,612,555	10/1971	Baker	280/5 E

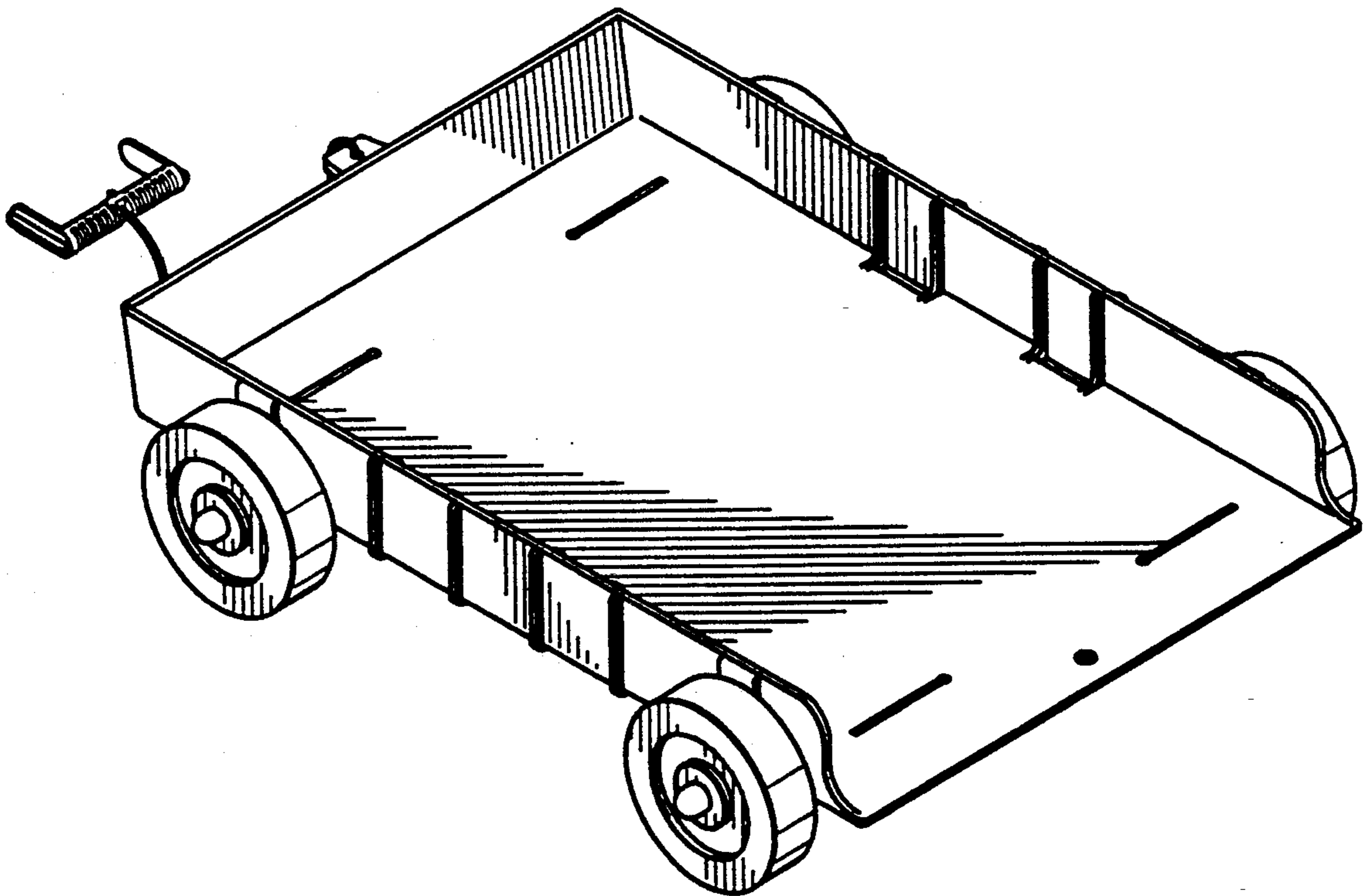
[57]

CLAIM

The ornamental design for a recreational cart, as shown and described.

DESCRIPTION

FIG. 1 is a top and rear perspective view of the recreational cart showing my new design;
FIG. 2 is a front elevational view thereof;
FIG. 3 is a top plan view thereof;
FIG. 4 is a right side elevational view thereof, the left side elevational view being a mirror image thereof;
FIG. 5 is a bottom plan view thereof; and,
FIG. 6 is a rear elevational view thereof.



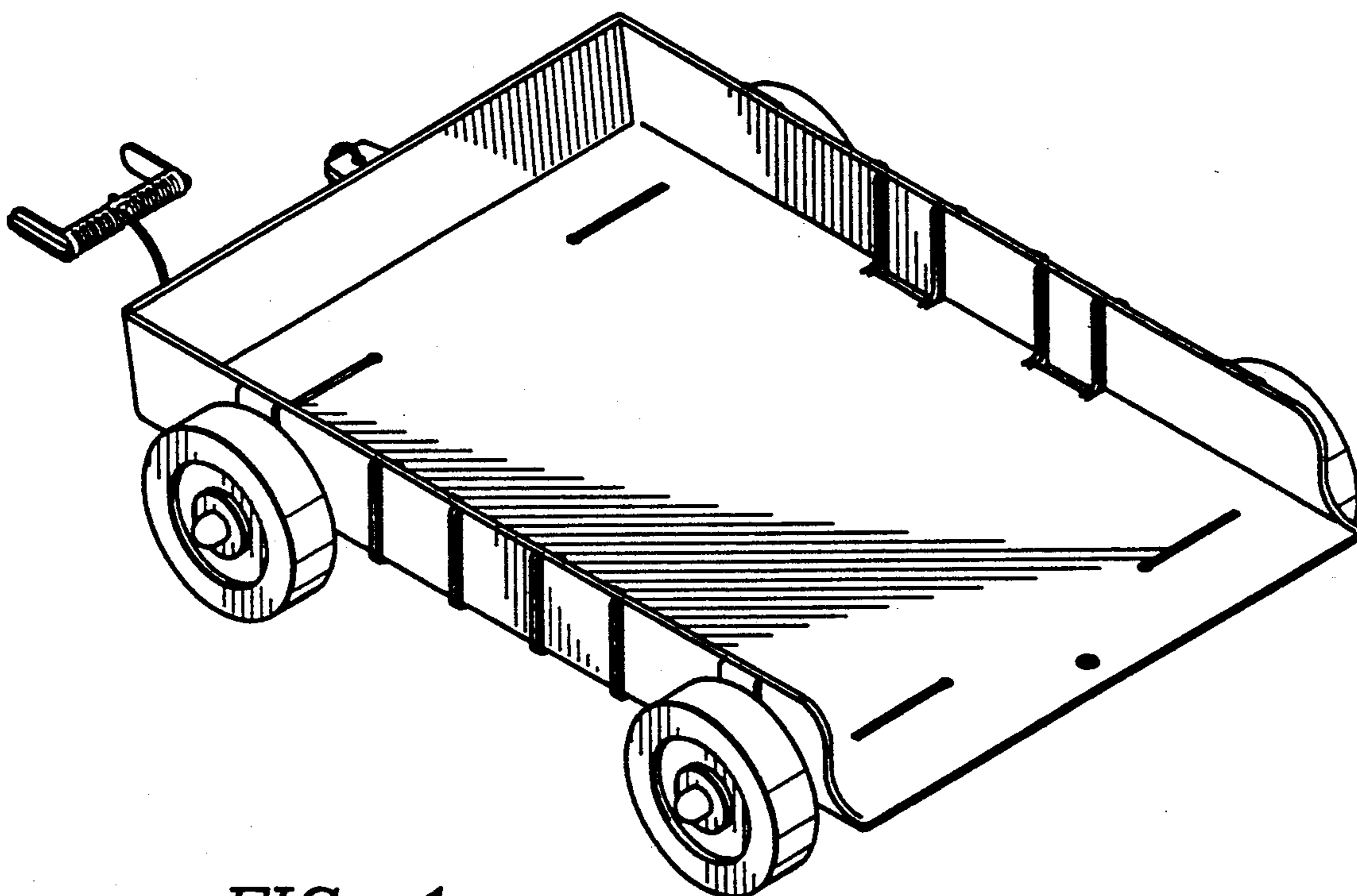


FIG. 1

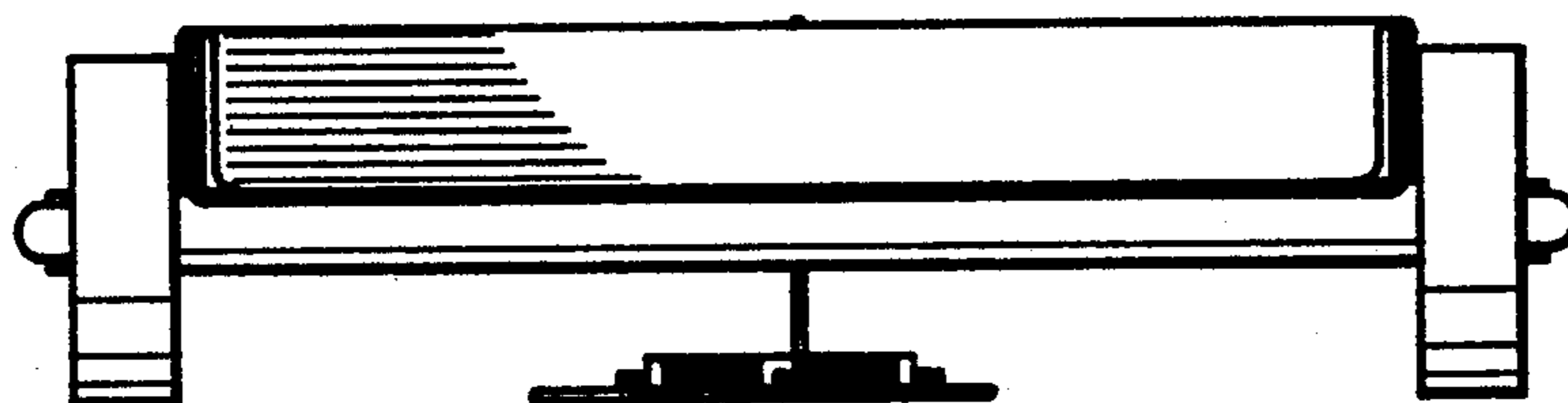


FIG. 2

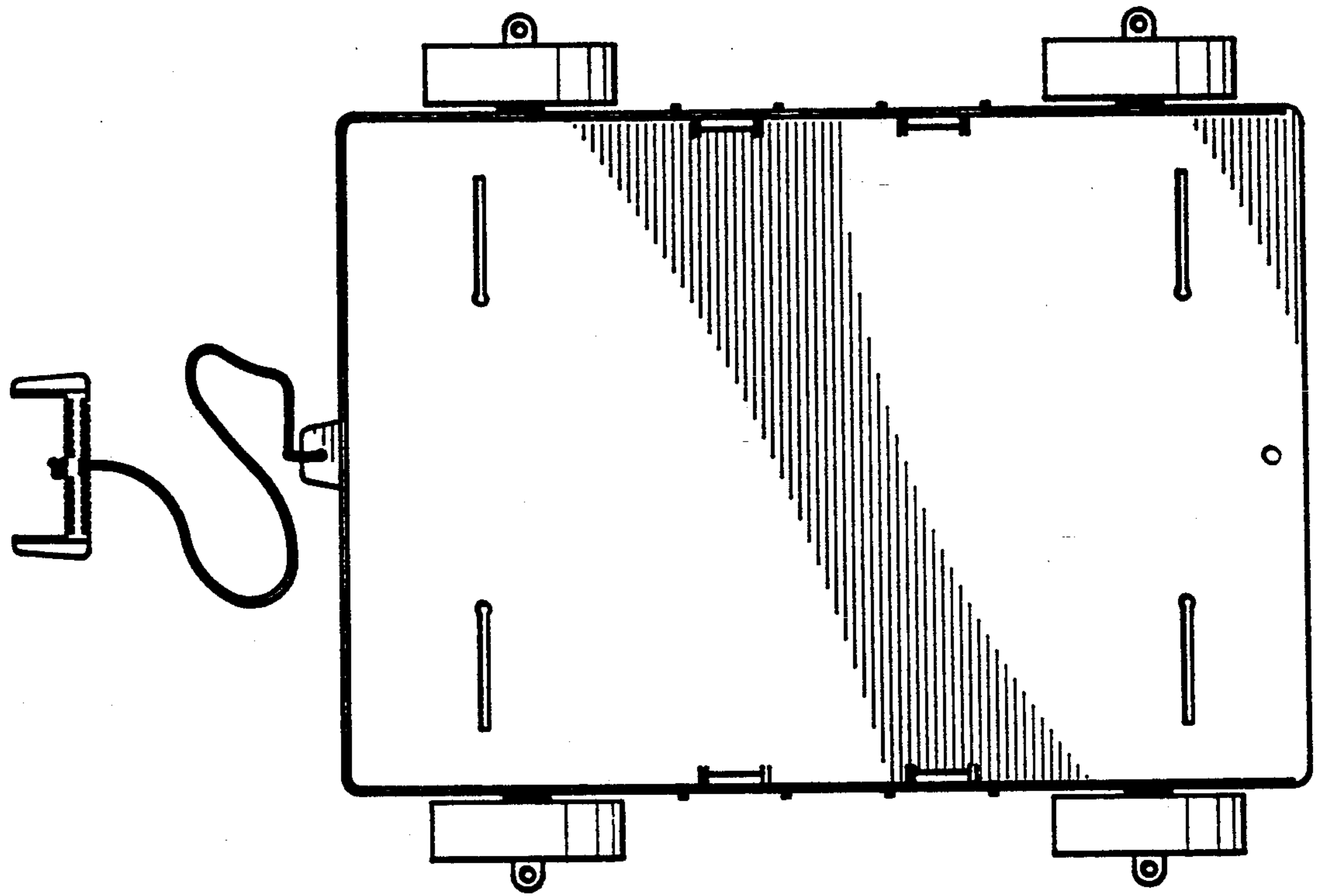


FIG. 3

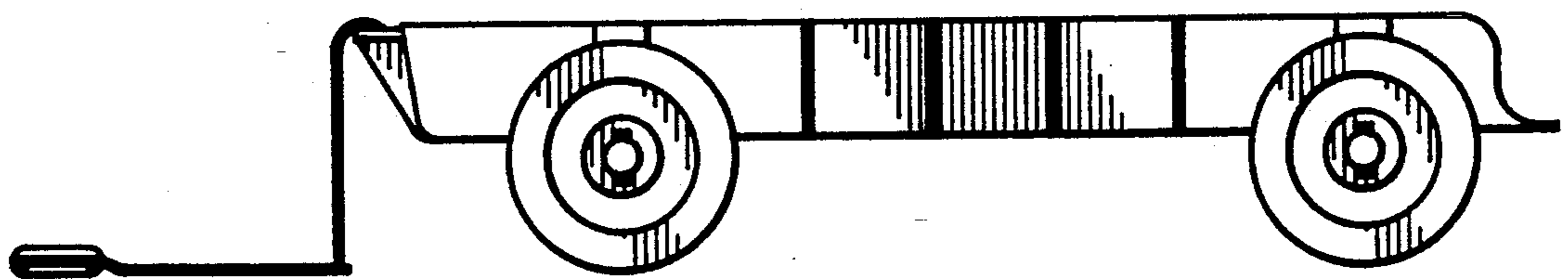


FIG. 4

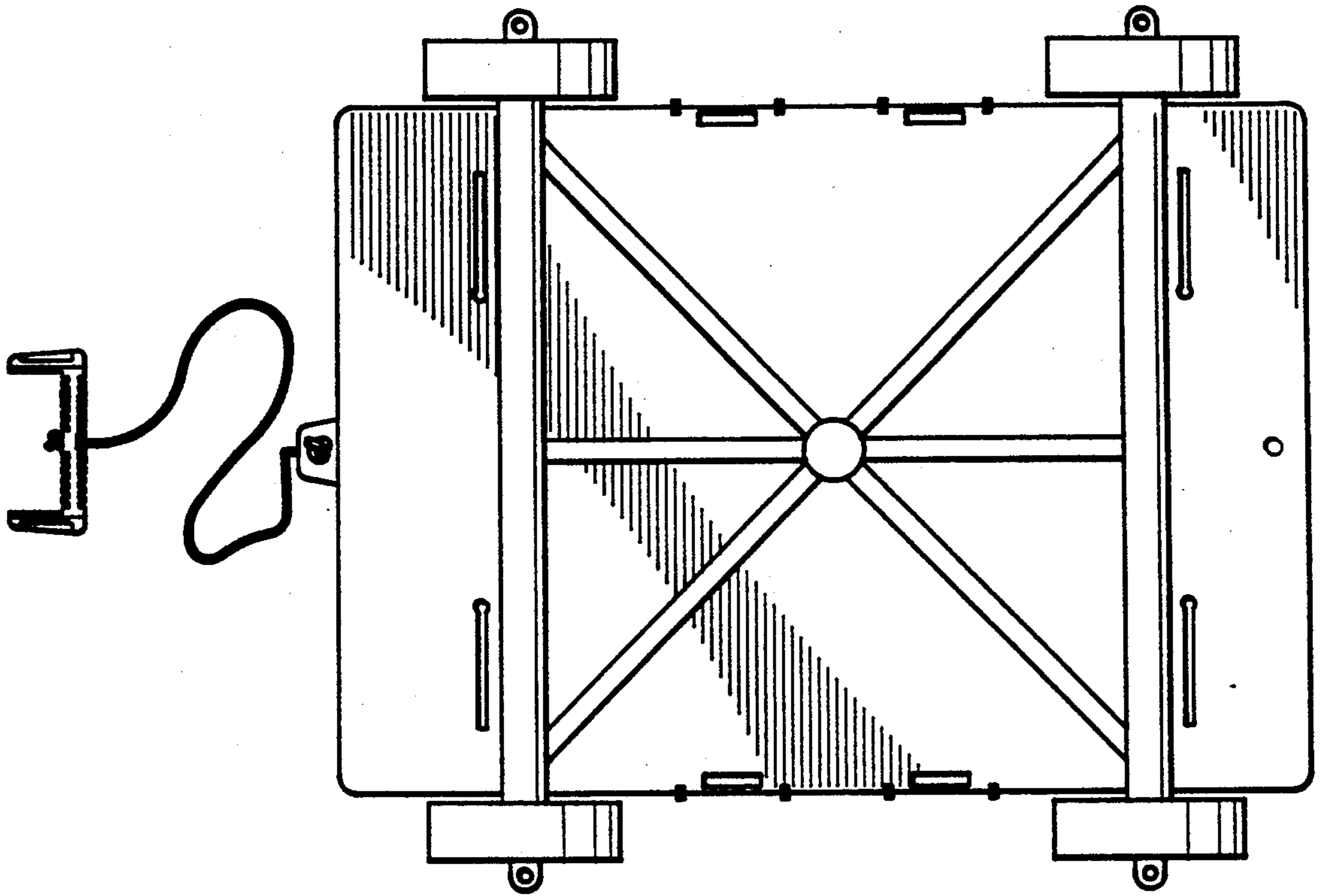


FIG. 5

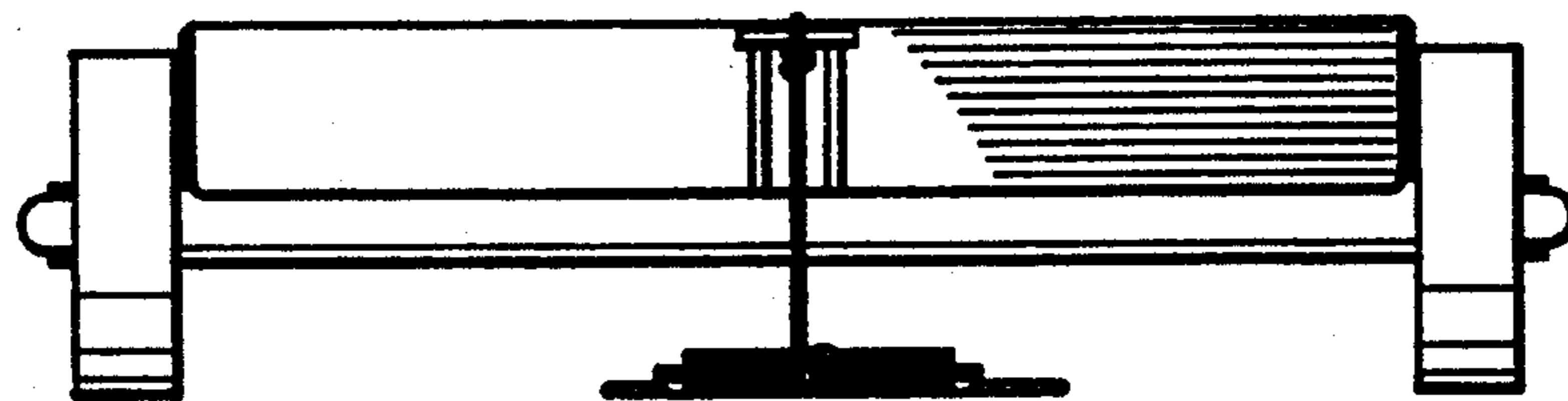


FIG. 6