



US00D333897S

# United States Patent [19]

[11] Patent Number: **Des. 333,897**

Ward

[45] Date of Patent: **\*\* Mar. 9, 1993**

[54] **NON-TIPPING TRASH CONTAINER**

[76] Inventor: **David E. Ward, 340 Graystone Dr., Hanover, Ind. 47243**

[\*\*] Term: **14 Years**

[21] Appl. No.: **731,908**

[22] Filed: **Jul. 18, 1991**

[52] U.S. Cl. .... **D34/7; D34/1**

[58] Field of Search ..... **D34/1-11; 220/908, 909, 23.4; D9/424**

[56] **References Cited**

**U.S. PATENT DOCUMENTS**

D. 328,862	8/1992	Janssen et al. ....	D9/424
1,101,286	6/1914	Jones .....	220/908
4,930,653	6/1990	Machado .....	220/23.4

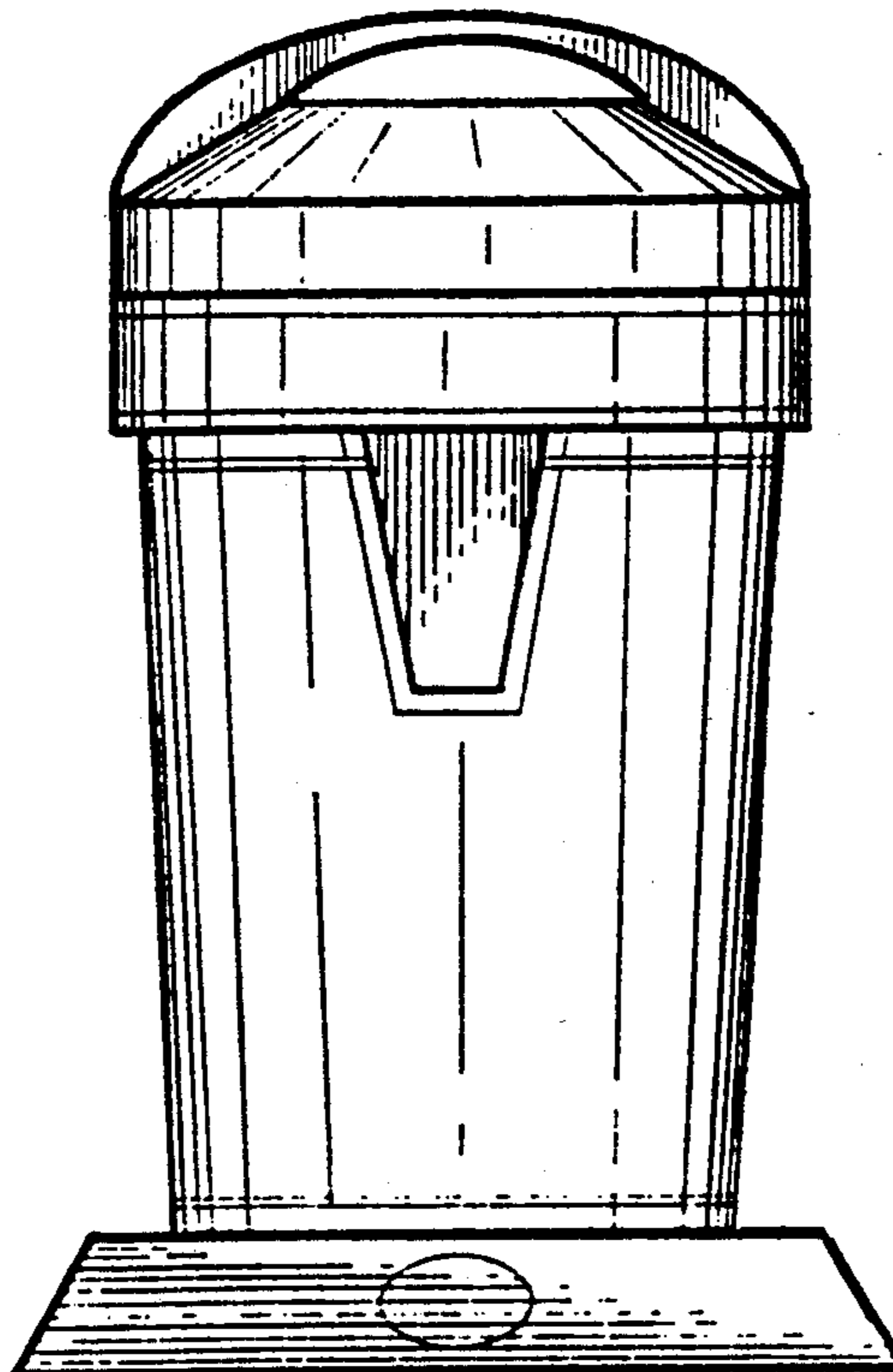
*Primary Examiner—Kay H. Chin  
Attorney, Agent, or Firm—Terry M. Gernstein*

[57] **CLAIM**

The ornamental design for a non-tipping trash container, as shown and described.

**DESCRIPTION**

FIG. 1 is an exploded perspective view of a non-tipping trash container showing my new drawing; FIG. 2 is a front elevational view thereof, the rear elevational view being a mirror image of that shown; FIG. 3 is a side elevational view thereof, the opposite side elevational view being a mirror image of that shown; FIG. 4 is a top plan view thereof; and, FIG. 5 is a bottom plan view thereof.



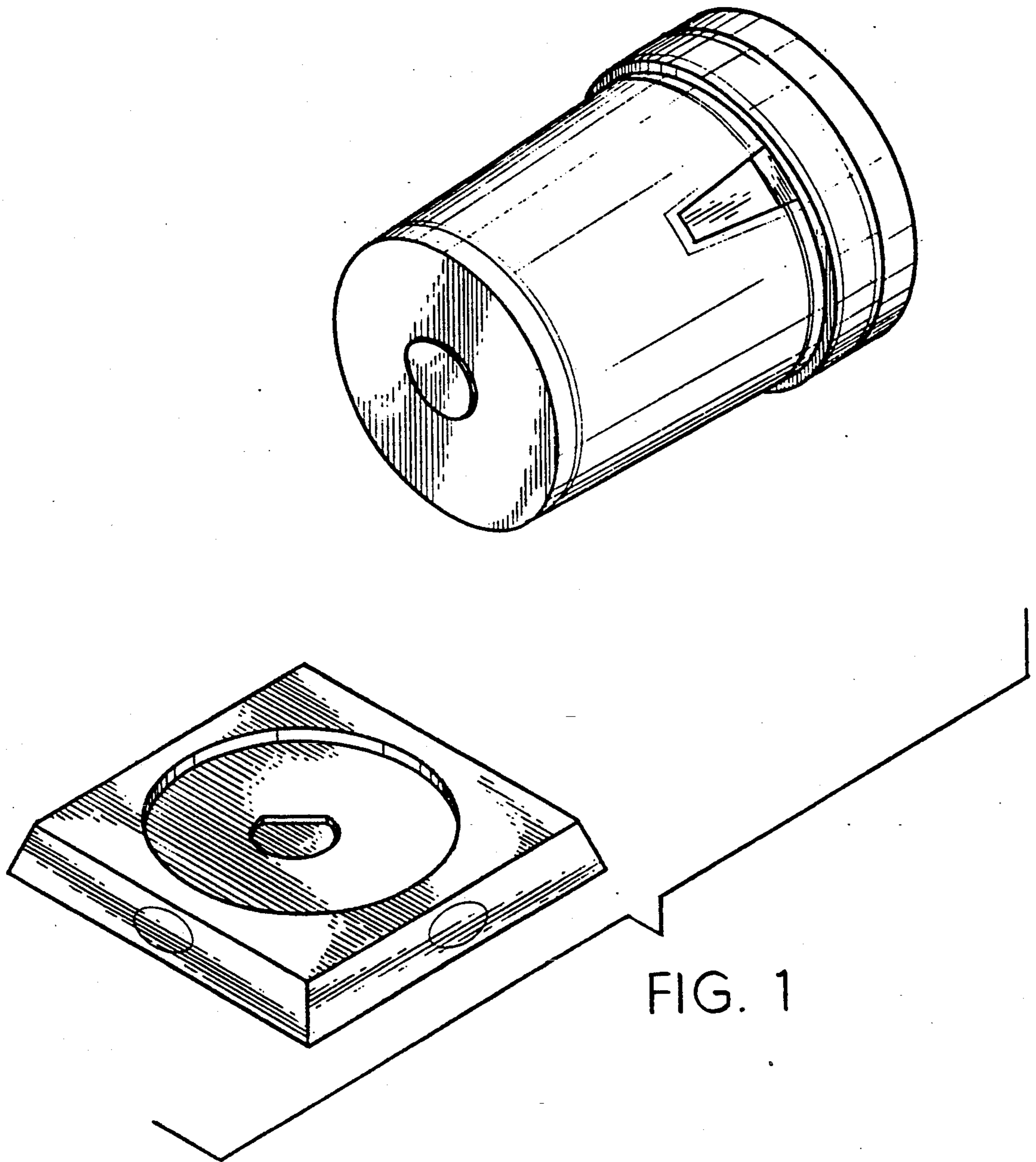


FIG. 1

FIG. 3

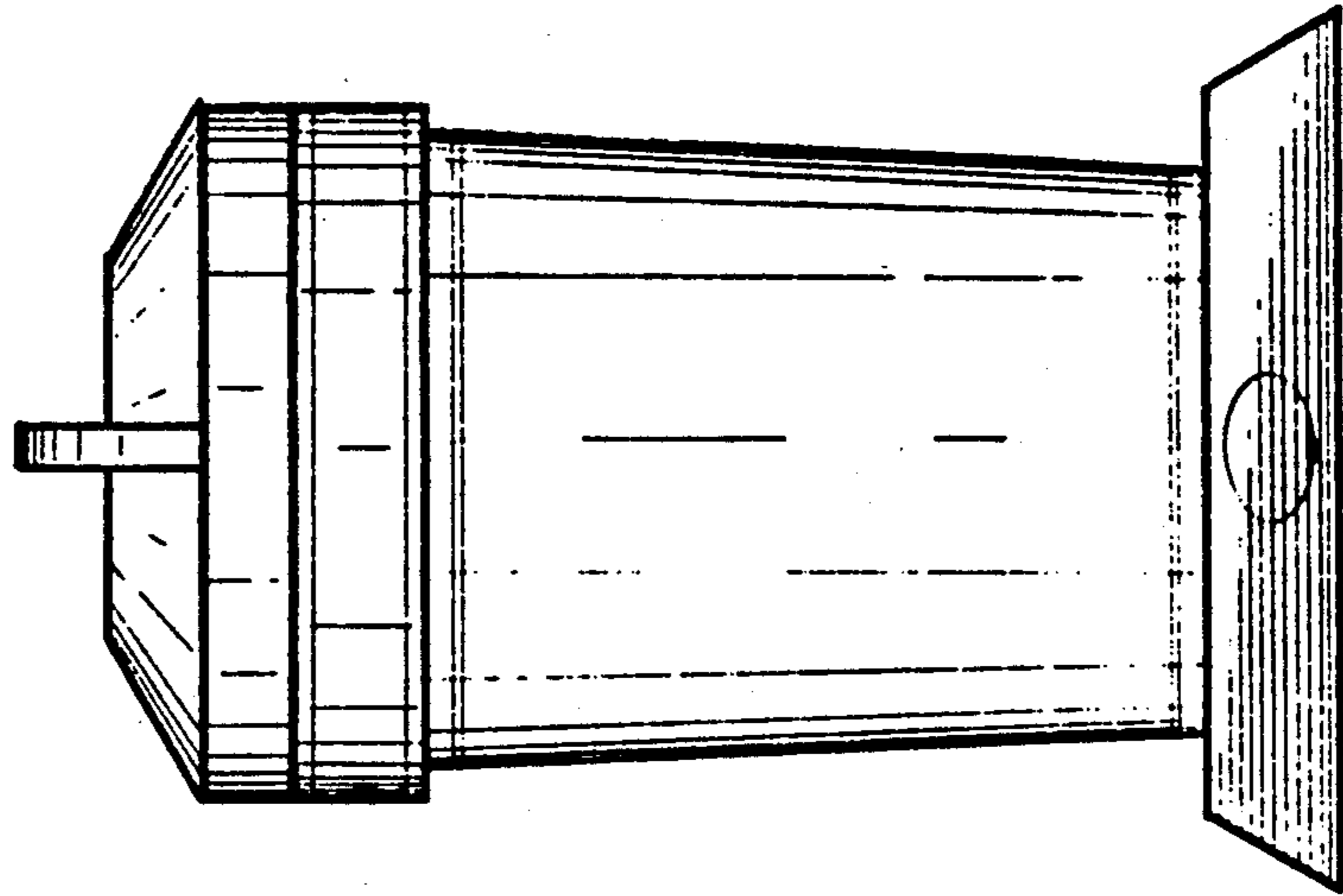


FIG. 2

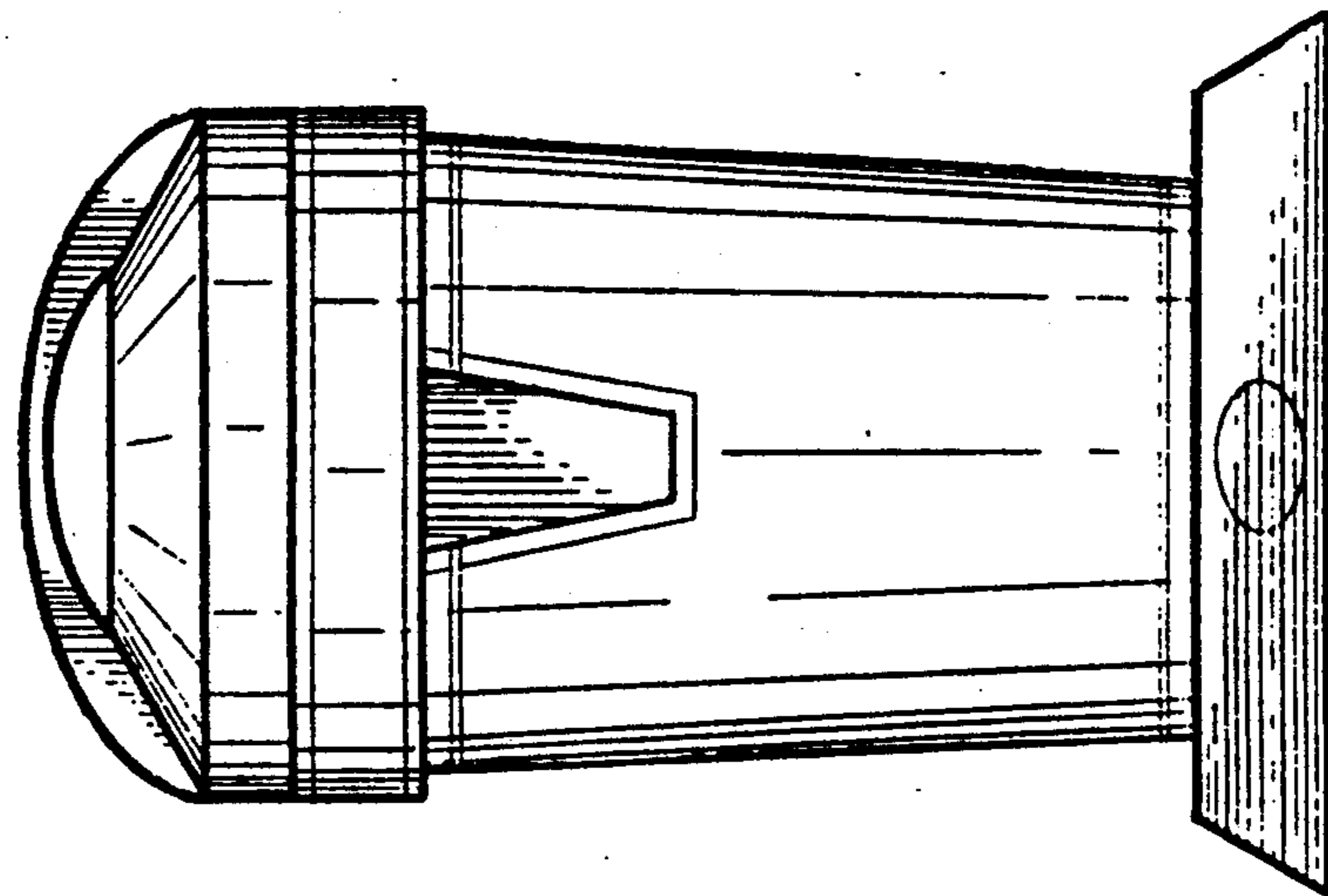


FIG. 5

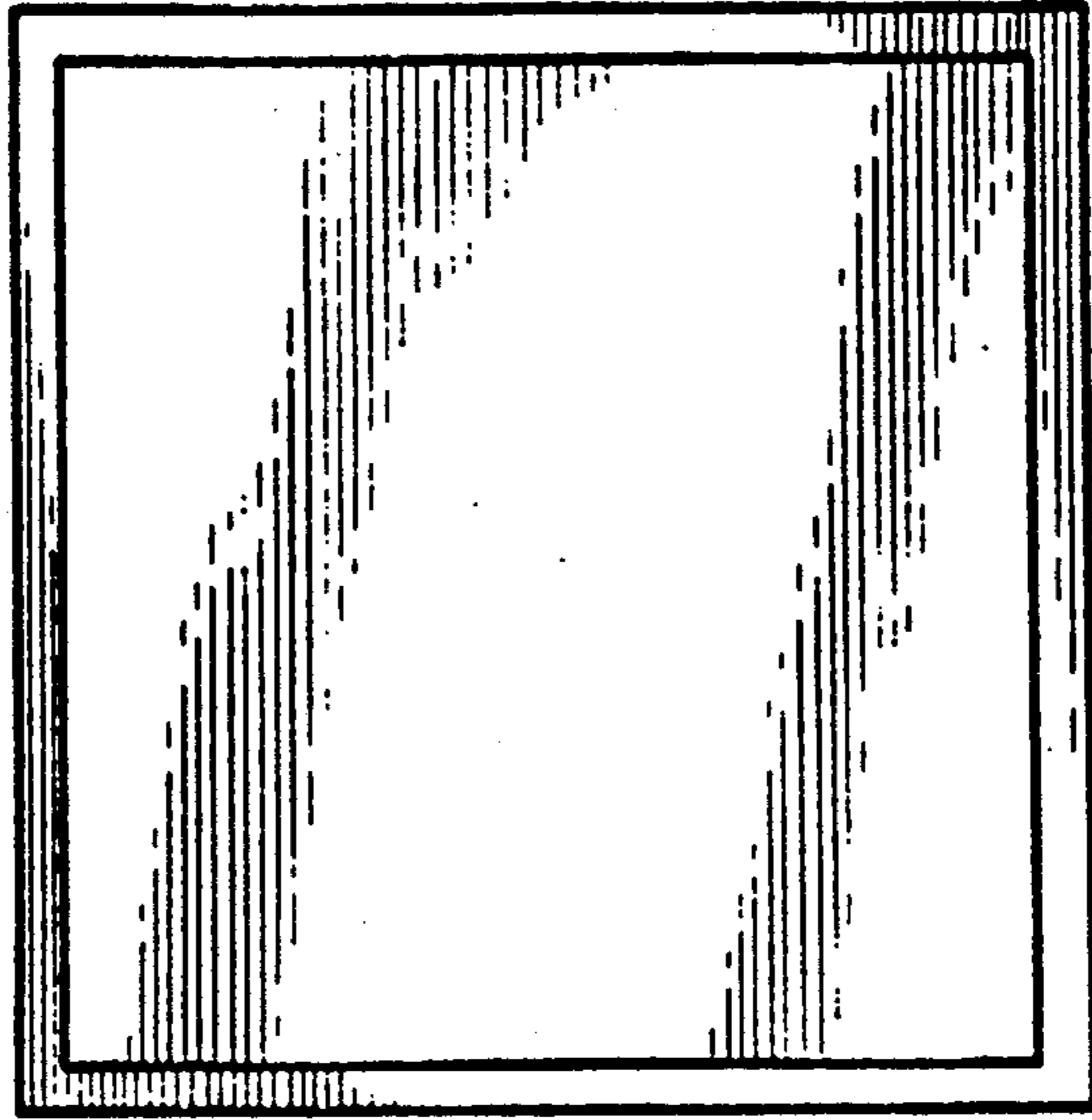


FIG. 4

