



US00D333895S

United States Patent [19]

[11] Patent Number: **Des. 333,895**

Niemeyer

[45] Date of Patent: **** Mar. 9, 1993**

[54] **TRASH RECYCLING CART**

4,834,262 5/1989 Reed 220/909
5,108,120 4/1992 Jarmusz et al. 280/47.2

[76] Inventor: **Michael J. Niemeyer, 2916 N. Magellan Dr., McHenry, Ill. 60050**

Primary Examiner—Kay H. Chin
Attorney, Agent, or Firm—Terry M. Gernstein

[**] Term: **14 Years**

[57] **CLAIM**

[21] Appl. No.: **806,440**

The ornamental design for a trash recycling cart, as shown and described.

[22] Filed: **Dec. 13, 1991**

[52] U.S. Cl. **D34/5; D34/24**

DESCRIPTION

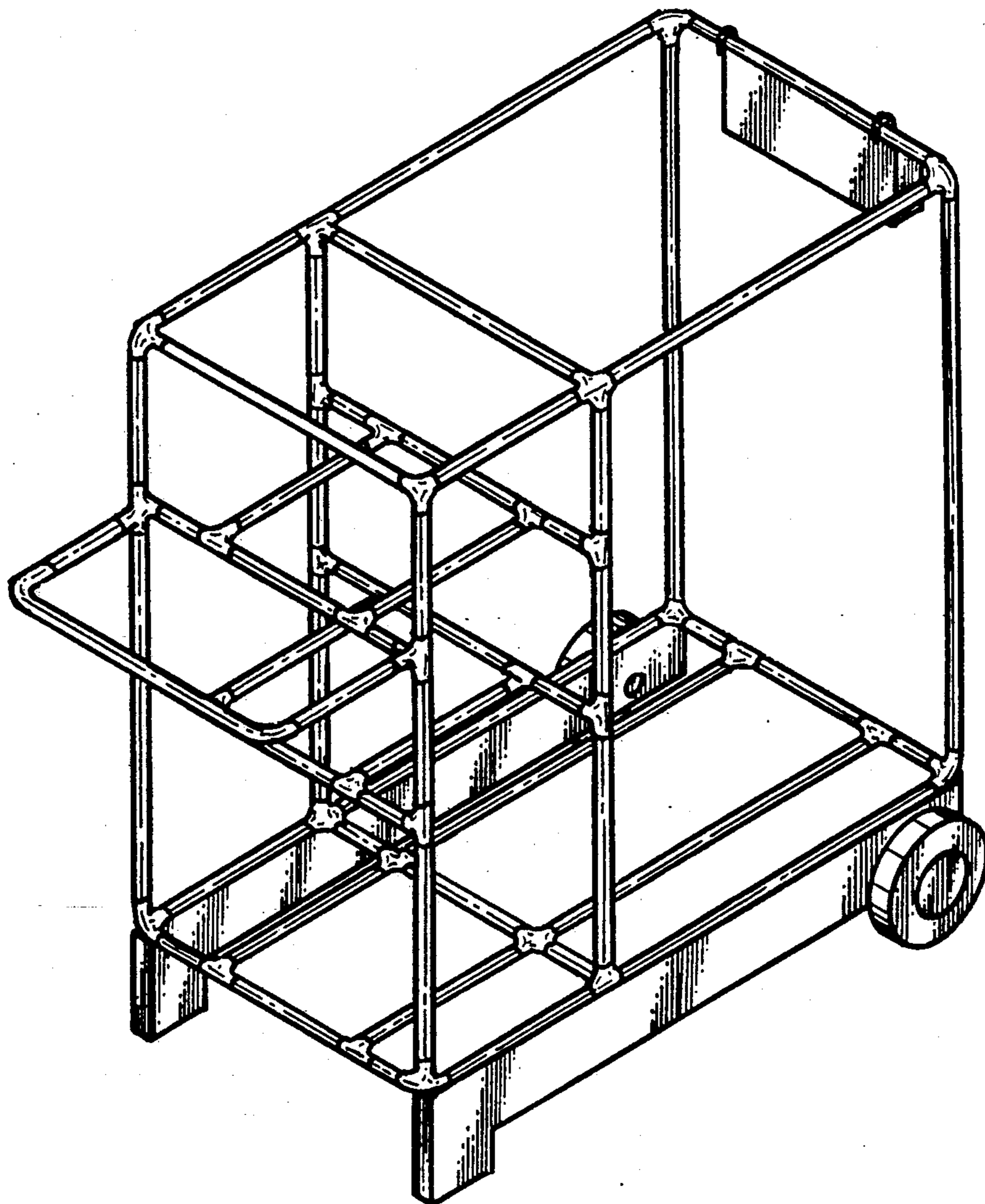
[58] Field of Search **D34/1-11, D34/12, 17, 24, 25, 26; 220/908; 280/47.2, 47.33, 47.26, 73.11, 73.13**

FIG. 1 is a top and front perspective view of a trash recycling cart showing my new design;
FIG. 2 is a front elevational view thereof;
FIG. 3 is a rear elevational view thereof;
FIG. 4 is a right side elevational view thereof; and,
FIG. 5 is a left side elevational view thereof;
FIG. 6 is a top plan view thereof; and,
FIG. 7 is a bottom plan view thereof.

[56] **References Cited**

U.S. PATENT DOCUMENTS

D. 304,111 10/1989 Mehlick D34/5
4,682,699 7/1987 Ertley D6/571
4,821,903 4/1989 Hayes 220/909



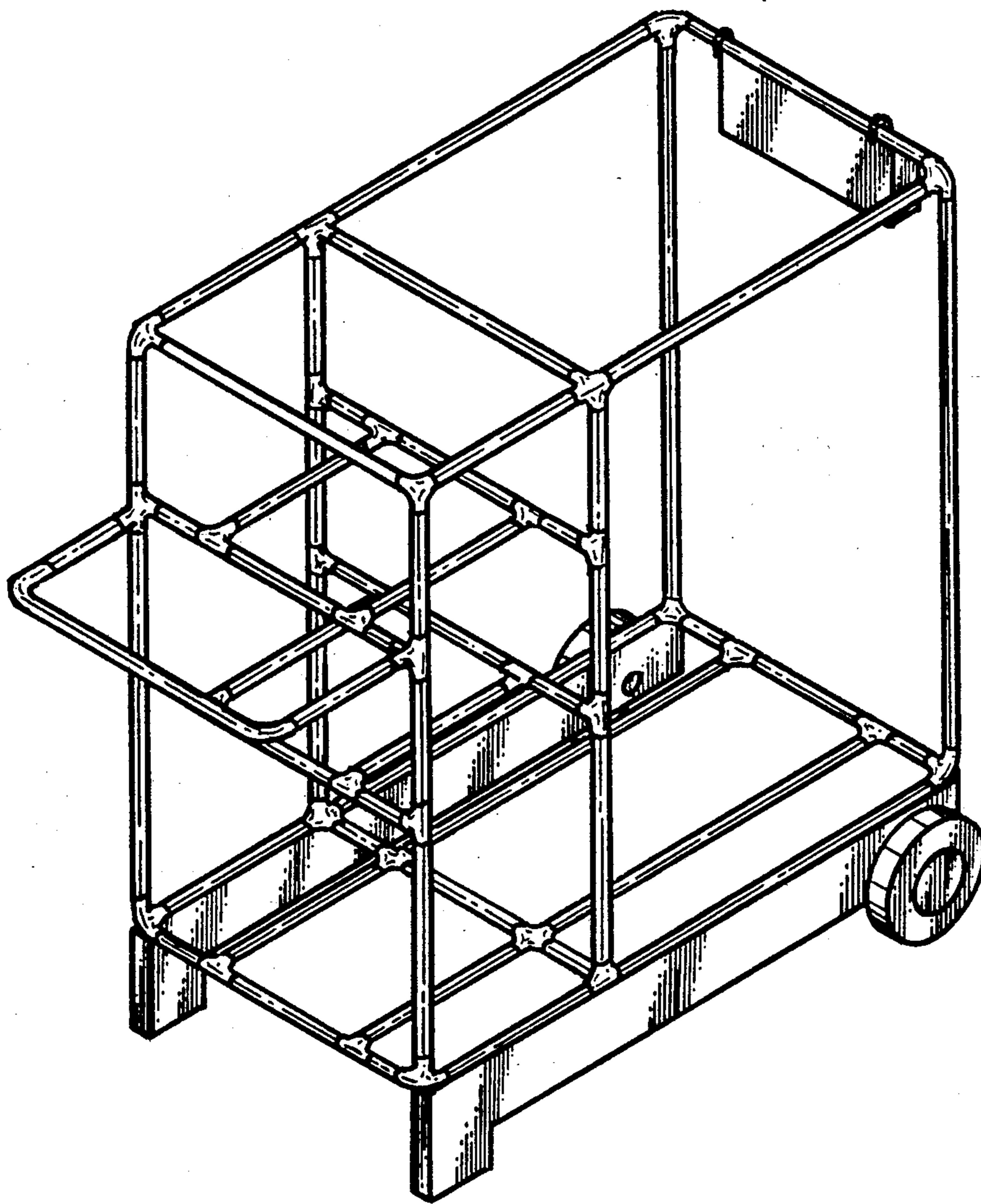


FIG. 1

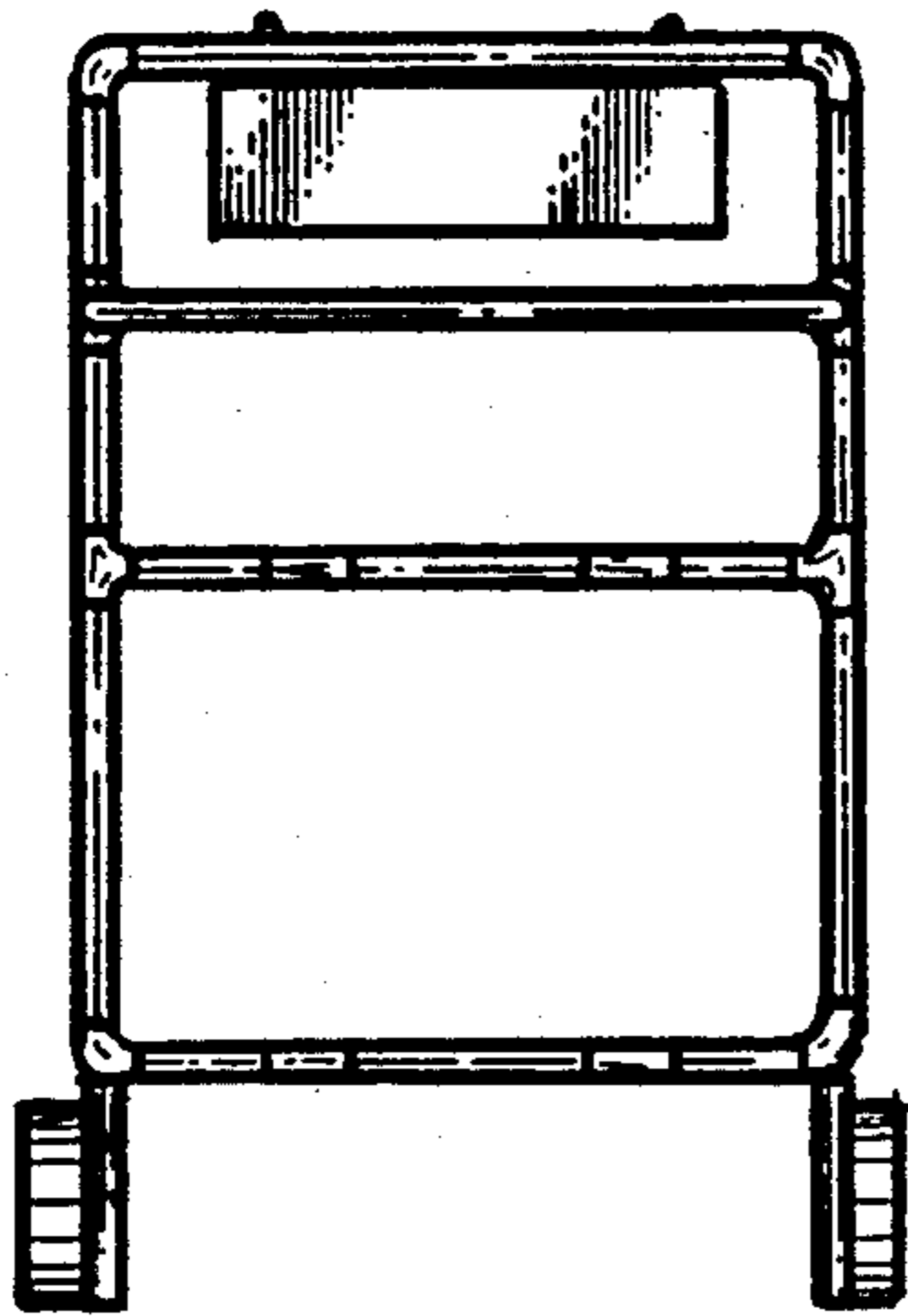


FIG. 2

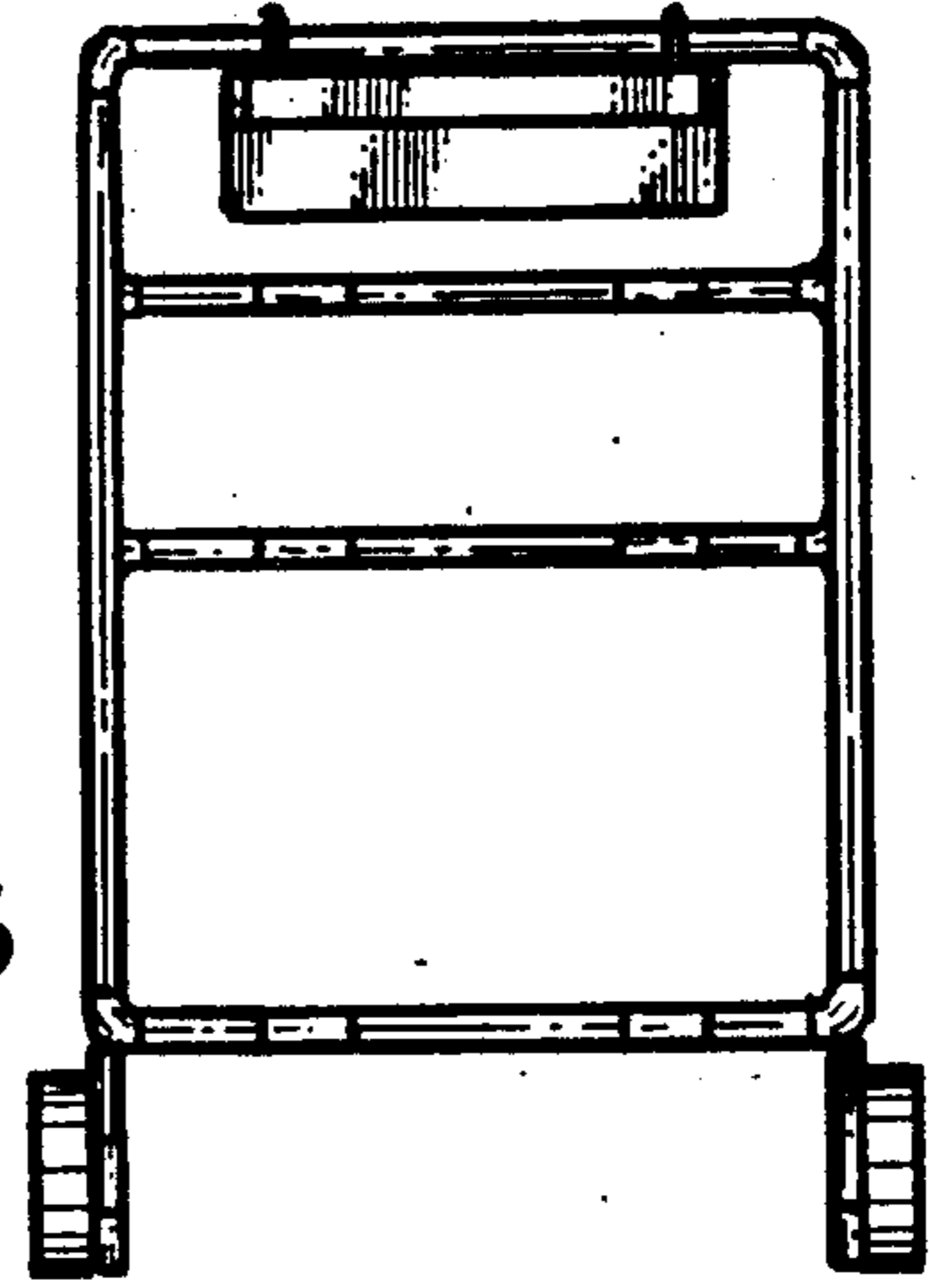


FIG. 3

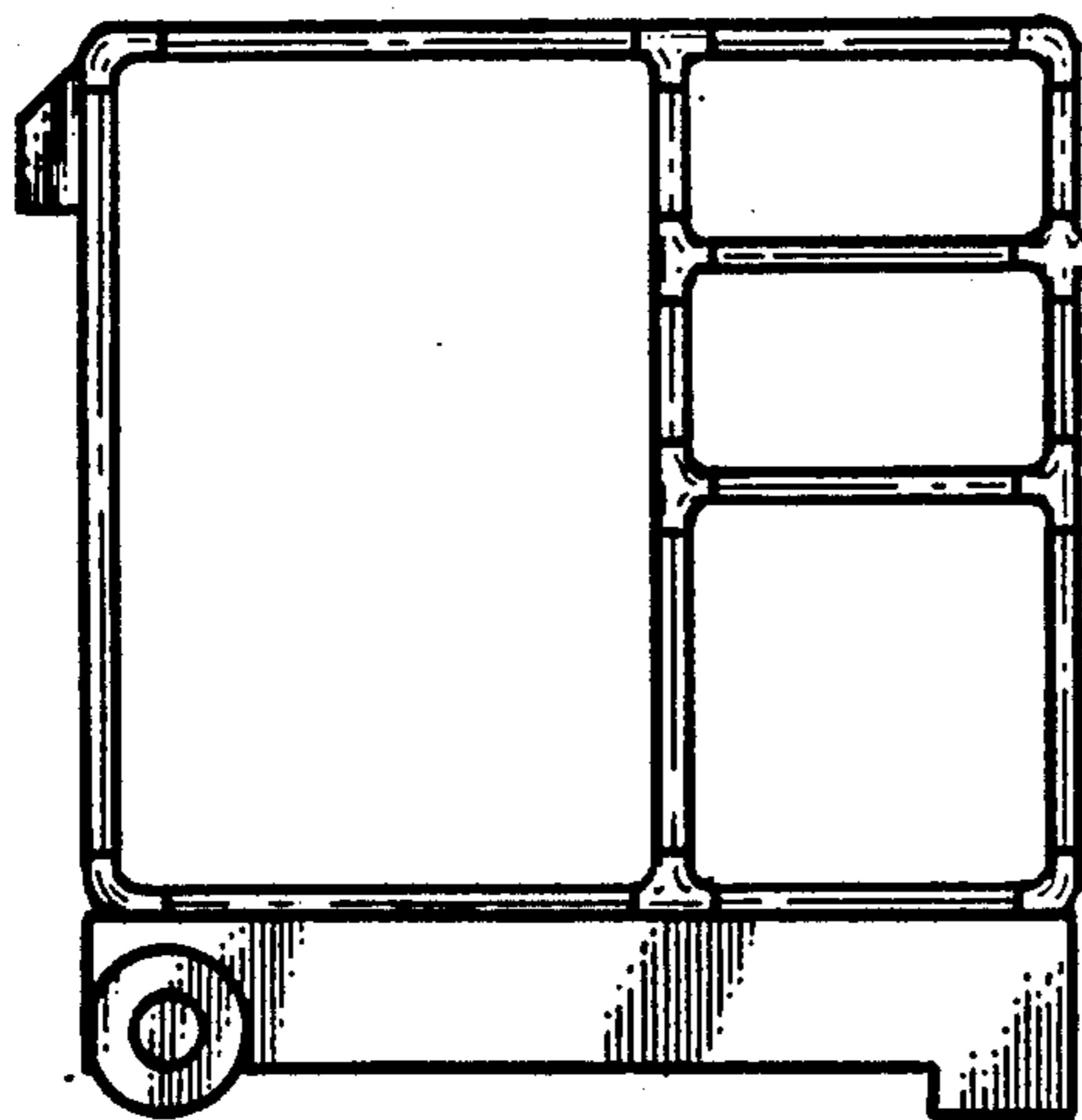


FIG. 4

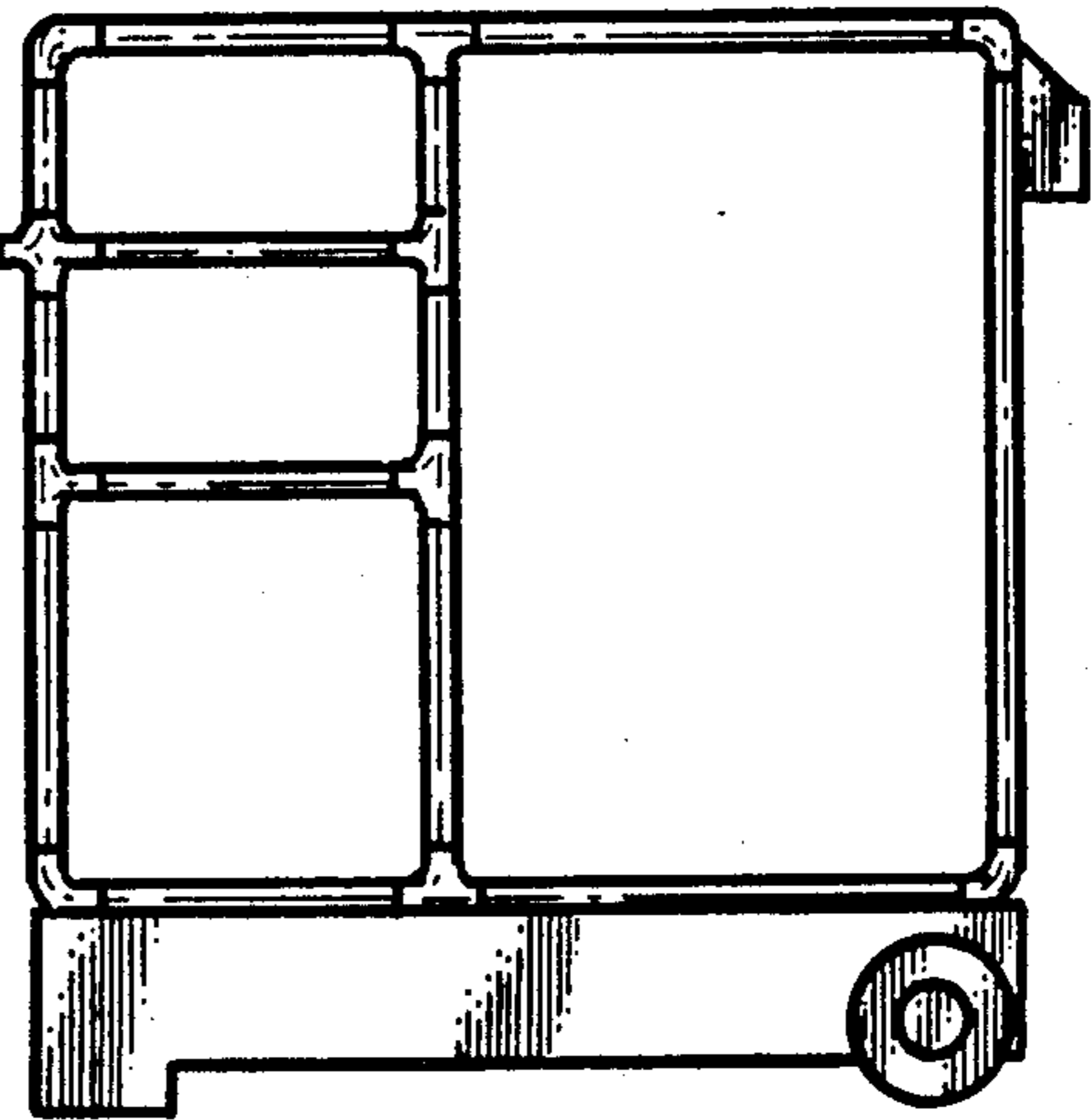


FIG. 5

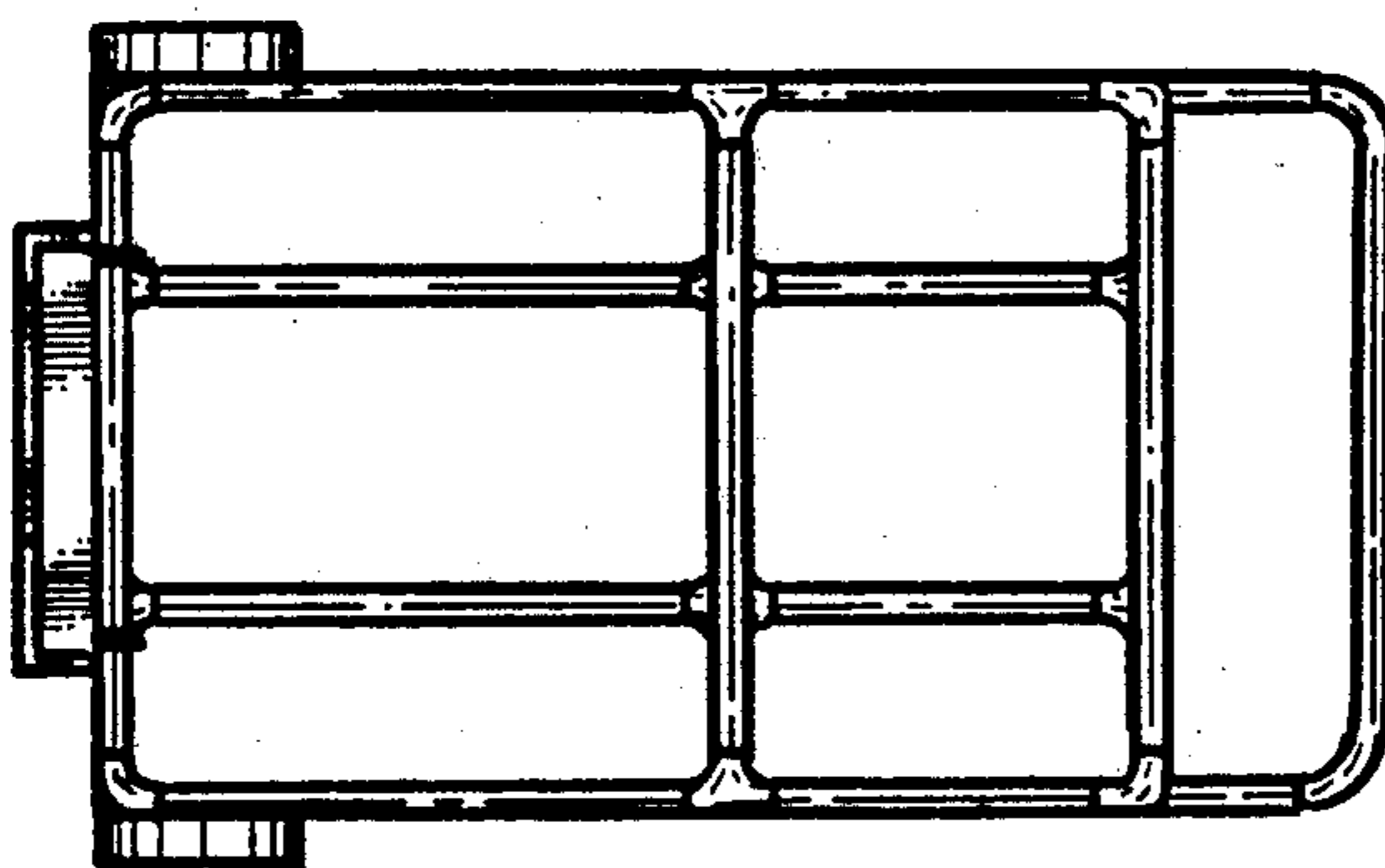


FIG. 6

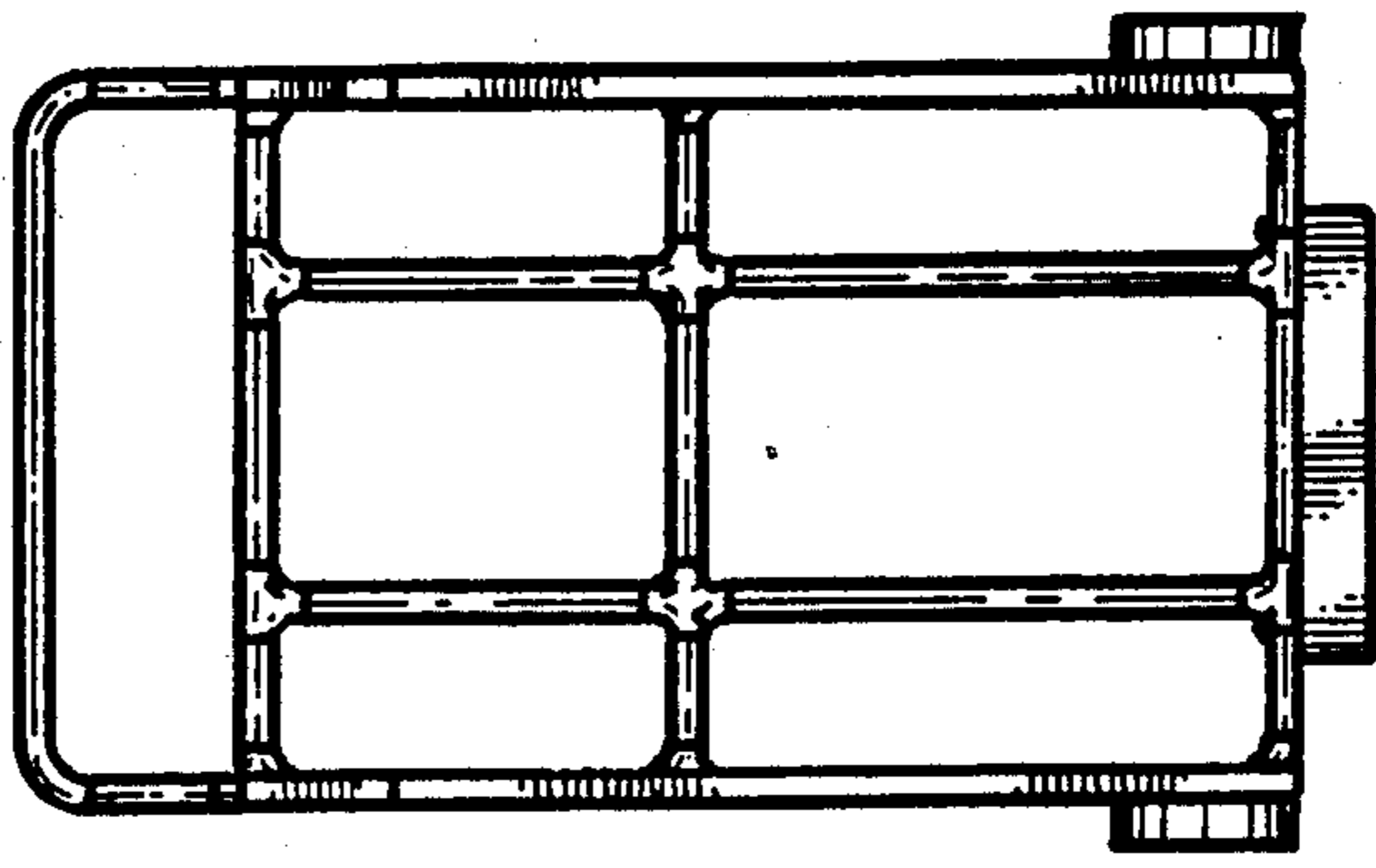


FIG. 7