



US00D333894S

United States Patent [19] Johnson

[11] Patent Number: **Des. 333,894**
[45] Date of Patent: **** Mar. 9, 1993**

[54] **PATHOLOGICAL WASTE INCINERATOR FOR FARM USE**

D. 261,801 11/1981 Johnson D34/1.1
4,430,950 2/1984 Foresto 110/235

[75] Inventor: **William H. Johnson, Harrisonburg, Va.**

Primary Examiner—Kay H. Chin
Attorney, Agent, or Firm—Mason, Fenwick & Lawrence

[73] Assignee: **Shenandoah Manufacturing Co., Inc., Harrisonburg, Va.**

[57] **CLAIM**

The ornamental design for a pathological waste incinerator for farm use, as shown and described.

[**] Term: **14 Years**

DESCRIPTION

[21] Appl. No.: **767,924**

[22] Filed: **Sep. 30, 1991**

[52] U.S. Cl. **D34/1.1**

[58] Field of Search **D34/1.1; 110/235, 242, 110/177**

FIG. 1 is a front elevational view of a pathological waste incinerator for farm use, showing my new design; FIG. 2 is a side elevational view thereof, viewed from the left of FIG. 1, with the burner removed to reveal the appearance of the underlying surface portions of the incinerator;

FIG. 3 is a side elevational view thereof, viewed from the right of FIG. 1;

FIG. 4 is a top plan view thereof; and,

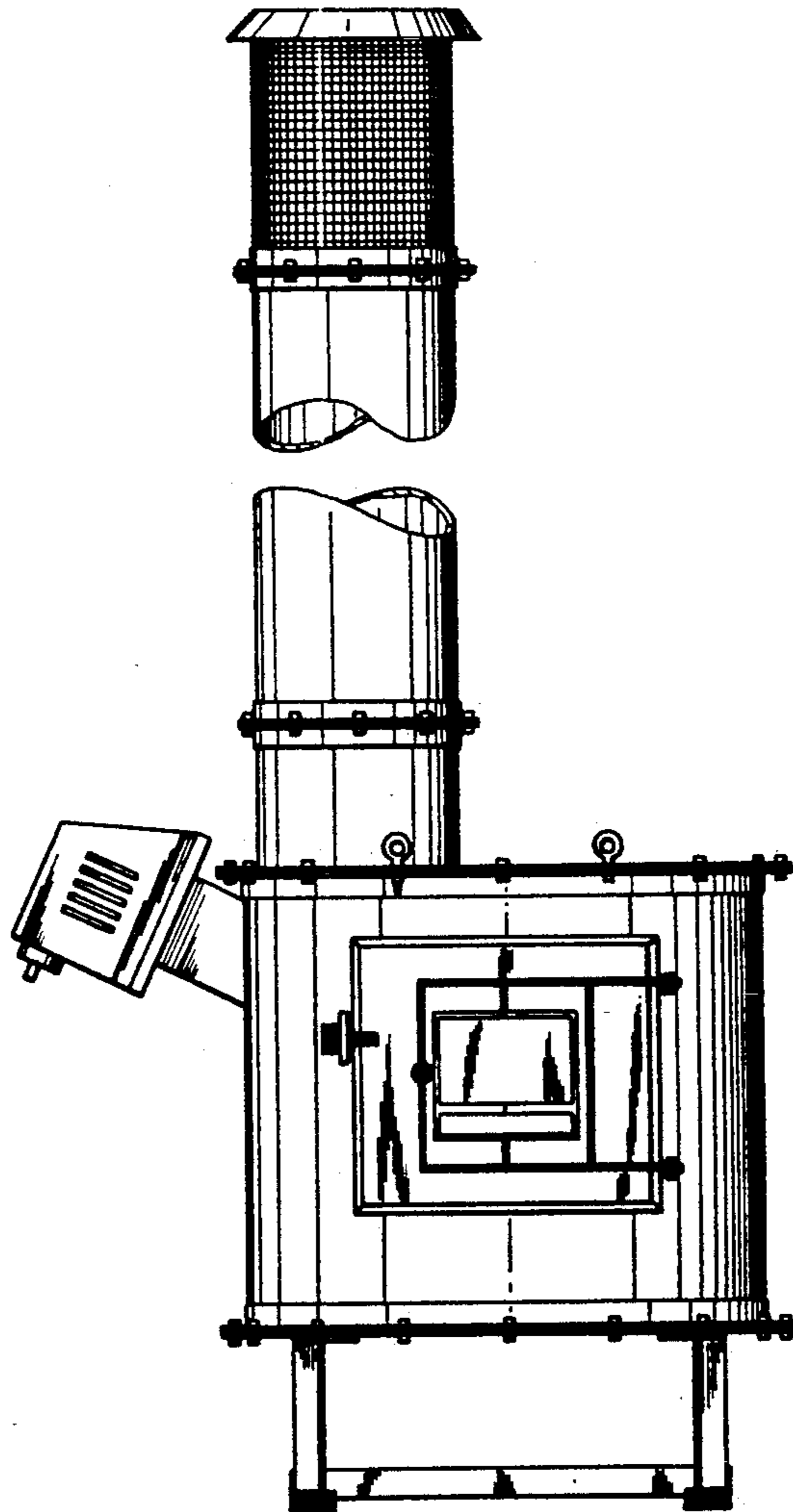
FIG. 5 is a rear view thereof.

The bottom is plain.

[56] **References Cited**

U.S. PATENT DOCUMENTS

D. 223,157 3/1972 Larue D34/1.1
D. 225,636 12/1972 Hutchinson D34/1.1



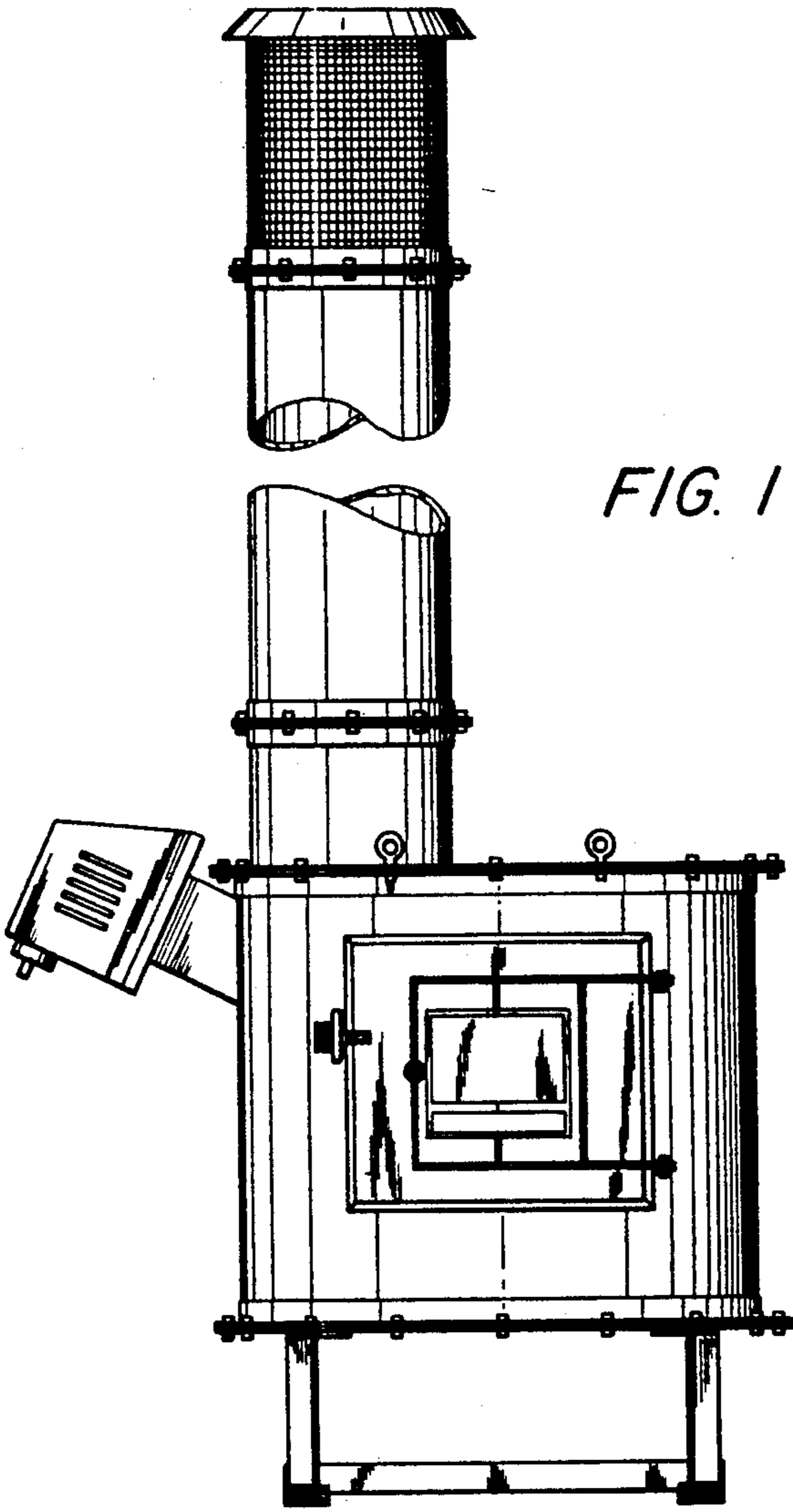


FIG. 1

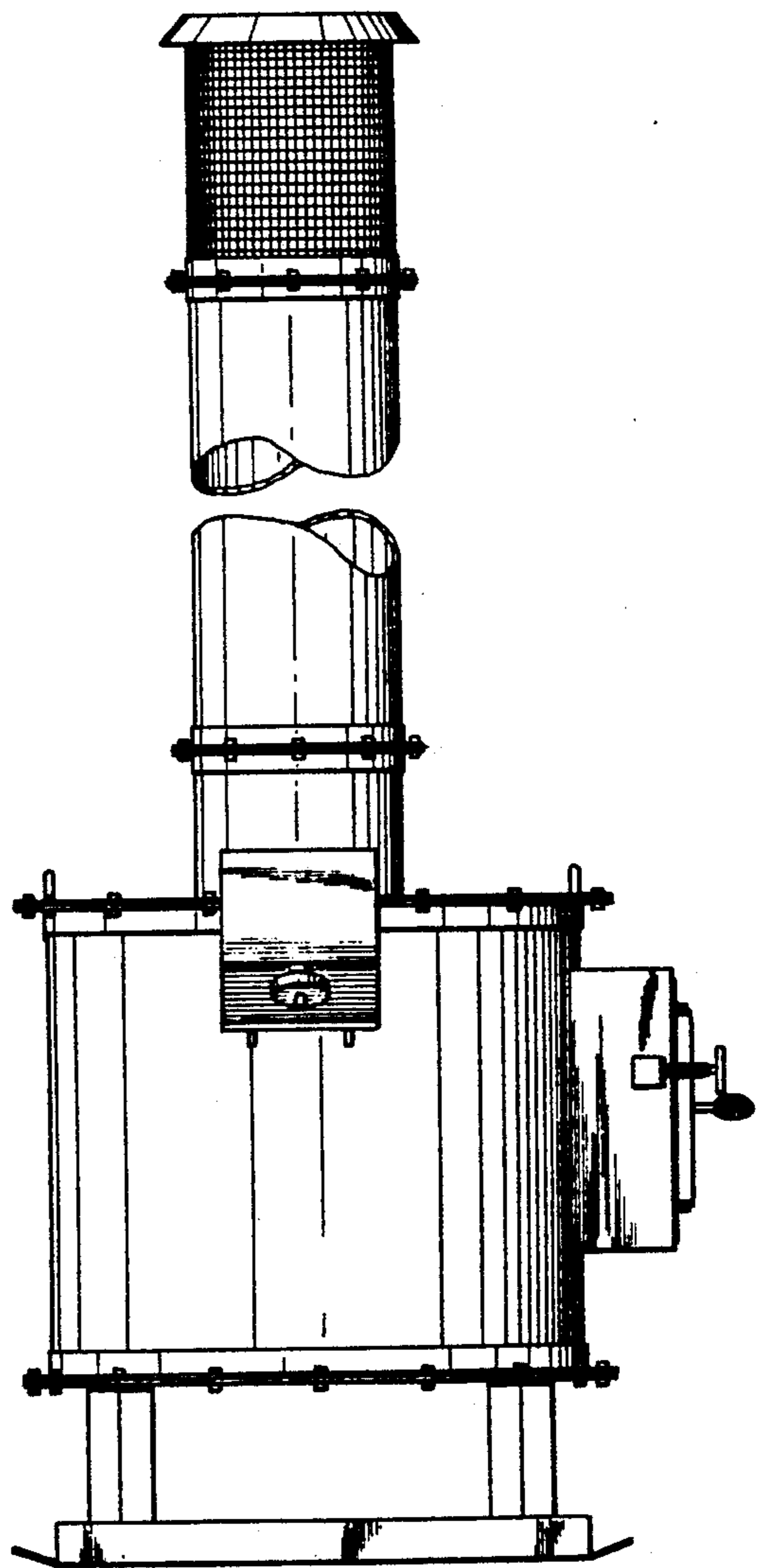


FIG. 2

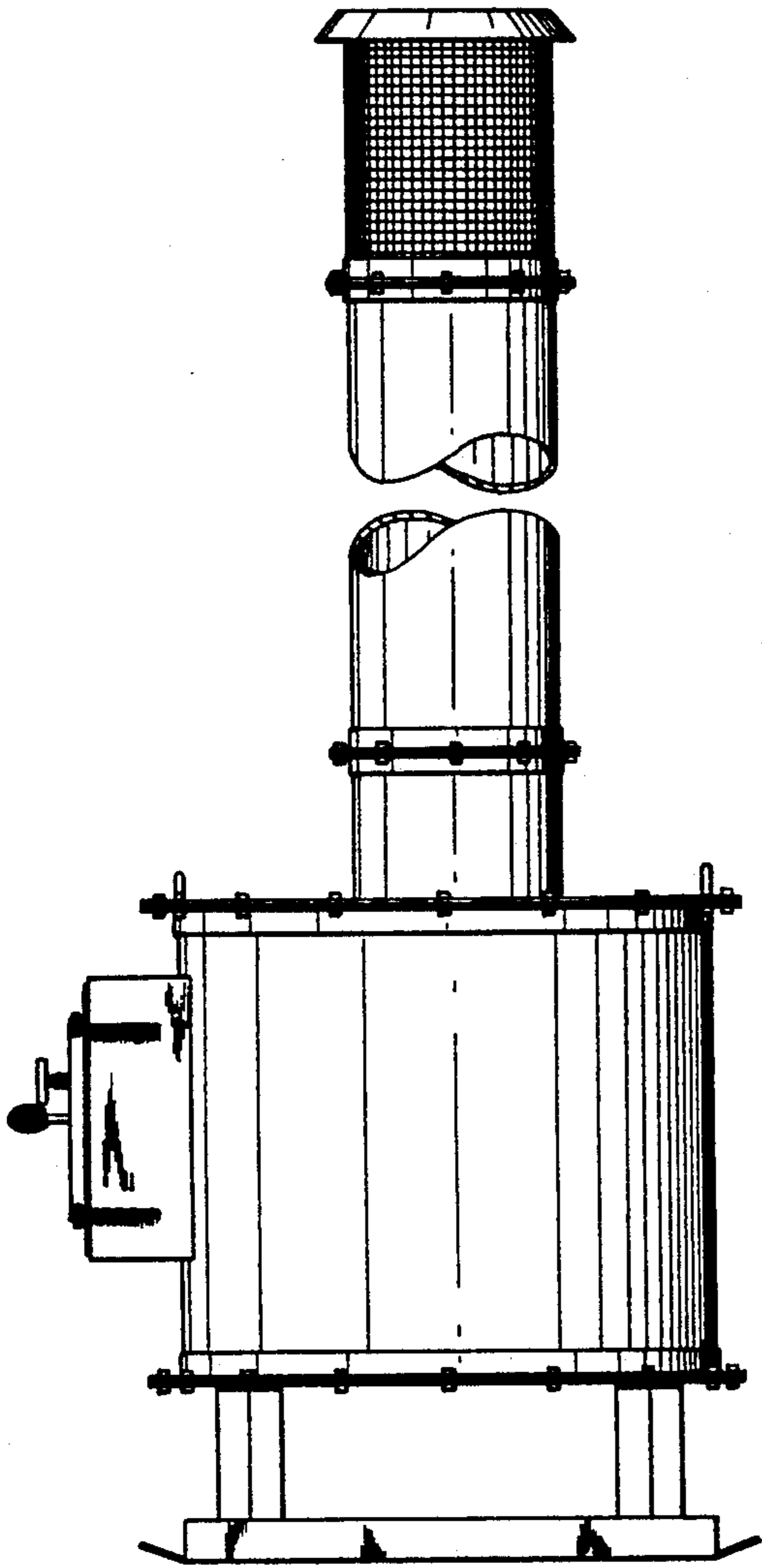


FIG. 3

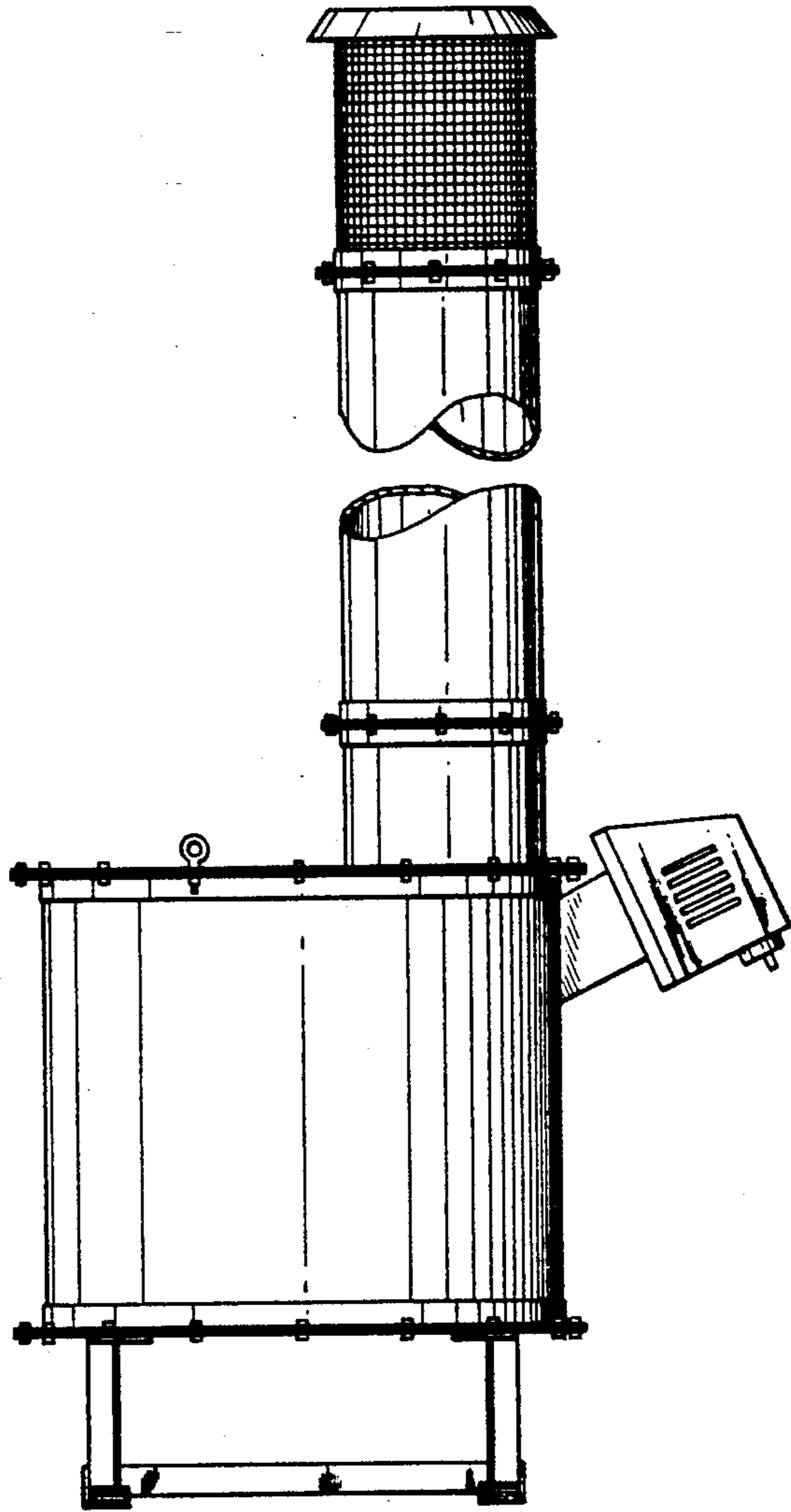


FIG. 5

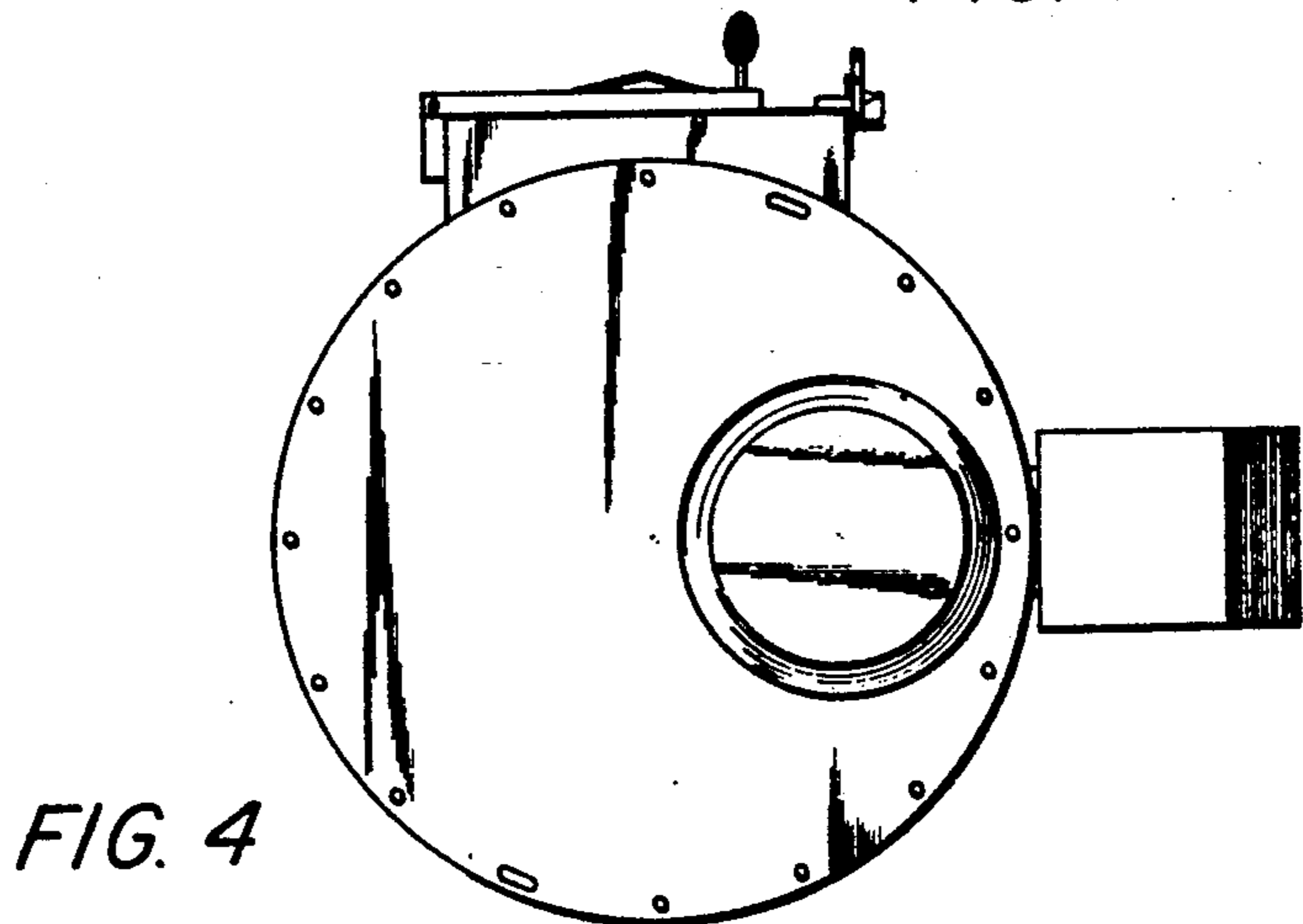


FIG. 4