



US00D333888S

# United States Patent [19]

Visser

[11] Patent Number: Des. 333,888

[45] Date of Patent: \*\* Mar. 9, 1993

[54] SCOOP FOR PICKING UP PET DROPPINGS

[76] Inventor: Dennis J. Visser, 4603 S. Hoyt St., Littleton, Colo. 80123

[\*\*] Term: 14 Years

[21] Appl. No.: 692,061

[22] Filed: Apr. 26, 1991

[52] U.S. Cl. .... D30/162; 294/1.4

[58] Field of Search ..... 294/1.1, 1.3-1.4, 294/11, 50.9, 55, 104; D30/161, 162; 15/257.1, 257.3-257.4, 257.6; 141/108

4,478,448	10/1984	Albert	.....	294/55
4,483,560	11/1984	Lordi	.....	294/1.3
4,641,873	2/1987	Nurnberger	.....	294/1.4

### FOREIGN PATENT DOCUMENTS

1010090	5/1977	Canada	.....	294/1.4
1067934	12/1979	Canada	.....	294/1.4
1185131	4/1985	Canada	.	
2534222	2/1977	Fed. Rep. of Germany	.....	294/1.4
3500498	1/1985	Fed. Rep. of Germany	.	

Primary Examiner—Louis S. Zarfes  
Assistant Examiner—Cathy Anne MacCormac  
Attorney, Agent, or Firm—Terry M. Gernstein

### [56] References Cited

#### U.S. PATENT DOCUMENTS

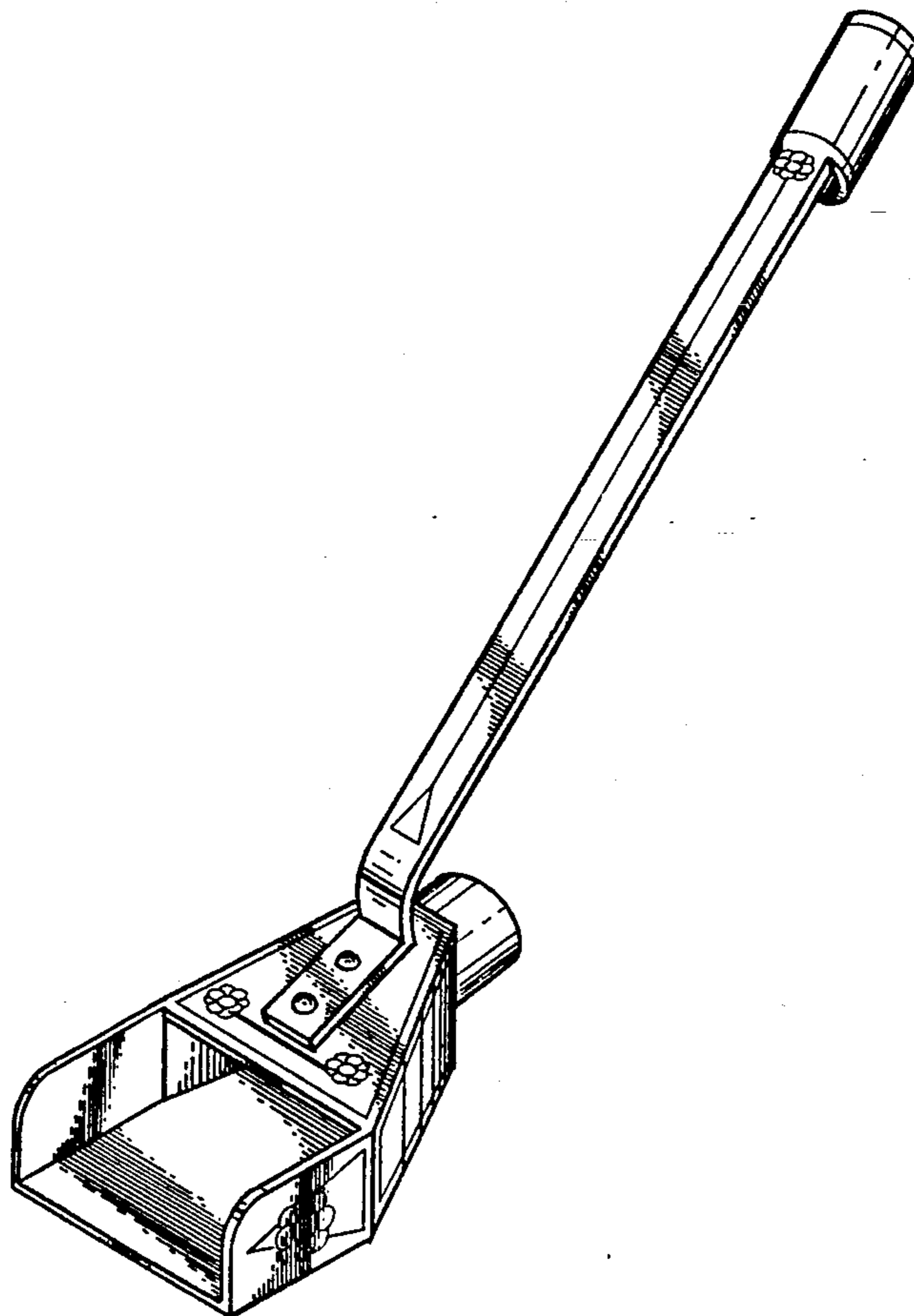
744,338	11/1903	Hall	.....	141/108
3,606,436	9/1971	Lynch	.....	294/1.4
3,671,995	6/1972	Carr	.....	15/257.3
3,786,780	1/1974	Pezzino	.....	294/1.5
3,804,448	4/1974	Schmieler	.....	294/1.4
3,827,098	8/1974	Sanderson	.....	294/1.4
3,868,135	2/1975	Magliaro	.....	294/1.5
3,977,422	8/1976	Cabaluna	.....	294/1.4
3,986,744	10/1976	Krogstad et al.	.....	294/1.3
4,138,153	2/1979	Brown	.....	294/1.3
4,149,745	4/1979	Willis	.....	294/1.4
4,312,531	1/1982	Cross	.....	15/257.1

### [57] CLAIM

The ornamental design for a scoop for picking up pet droppings, as shown and described.

### DESCRIPTION

FIG. 1 is a perspective view of a scoop for picking up pet droppings showing my new design;  
FIG. 2 is a front elevational view thereof;  
FIG. 3 is a rear elevational view thereof;  
FIG. 4 is a side elevational view thereof, the side opposite being a mirror image of the side shown;  
FIG. 5 is a top plan view thereof; and,  
FIG. 6 is a bottom view thereof.



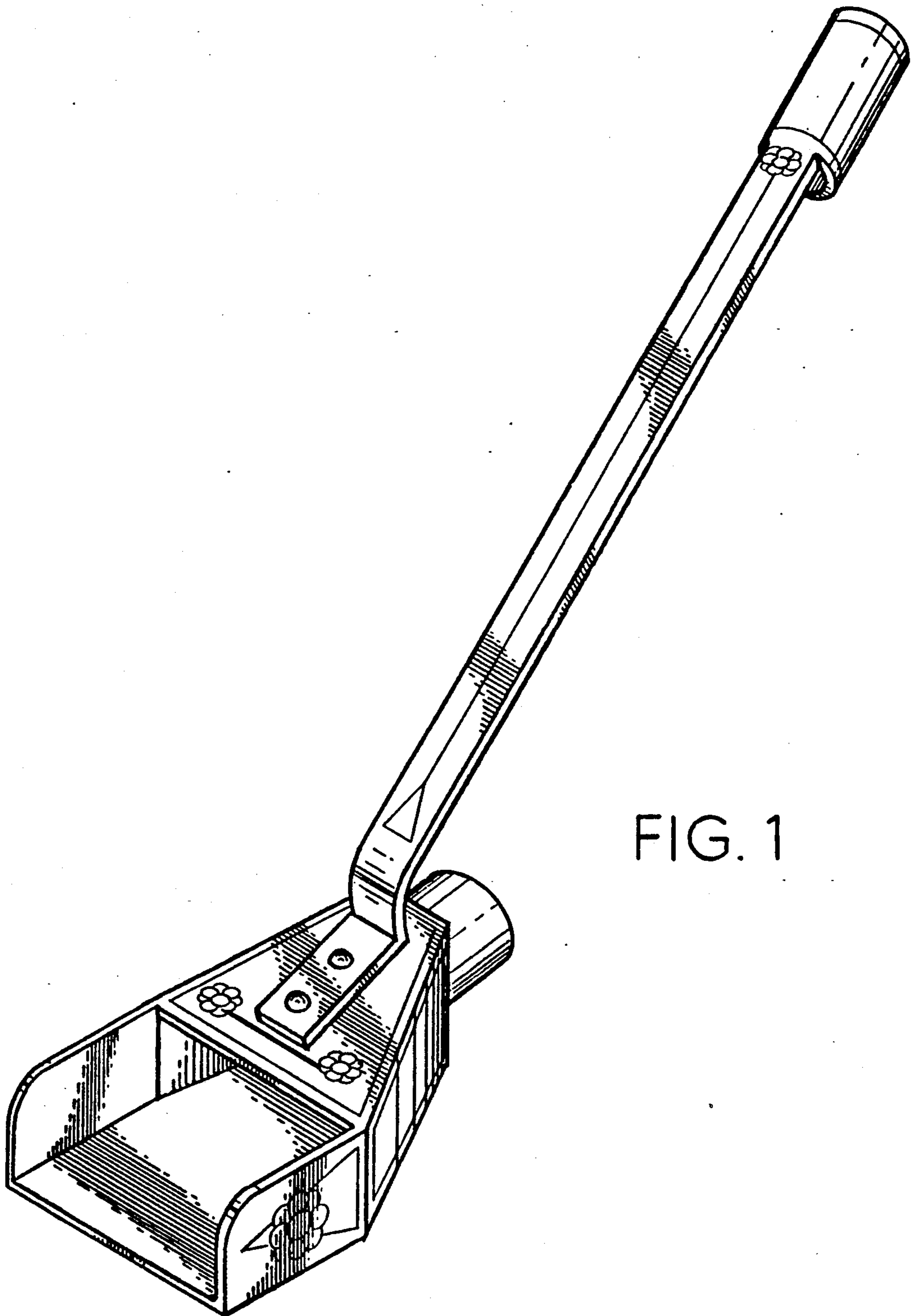


FIG. 1

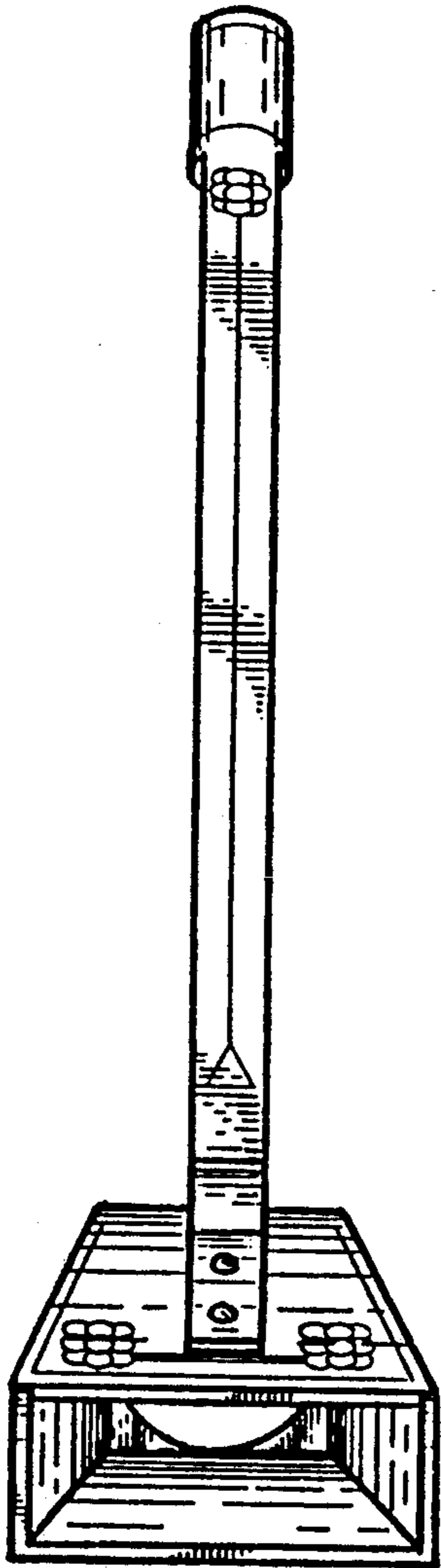


FIG. 2

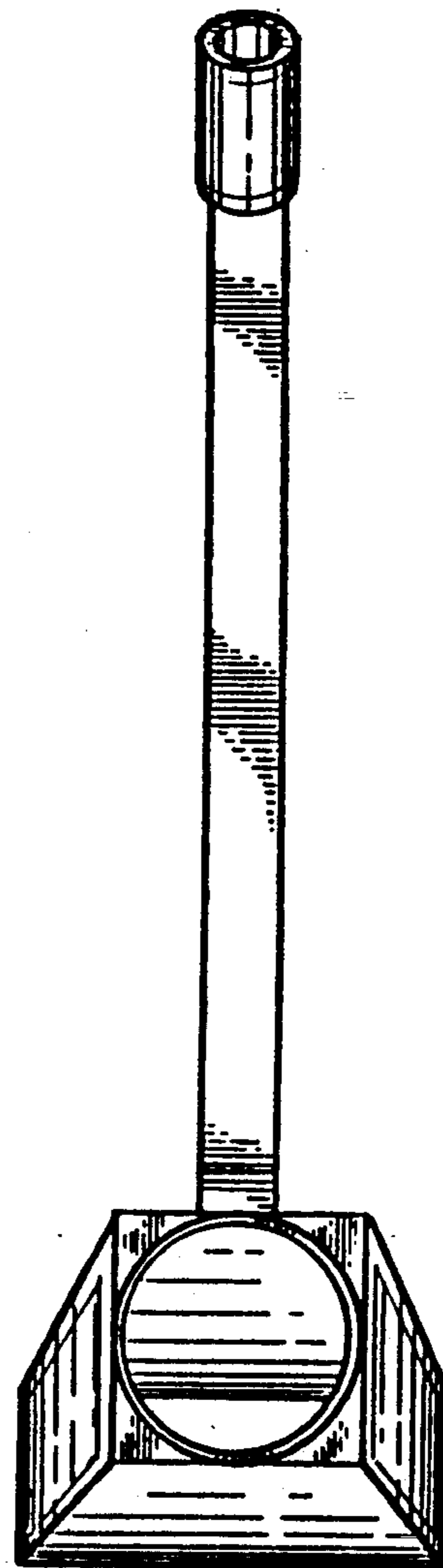


FIG. 3

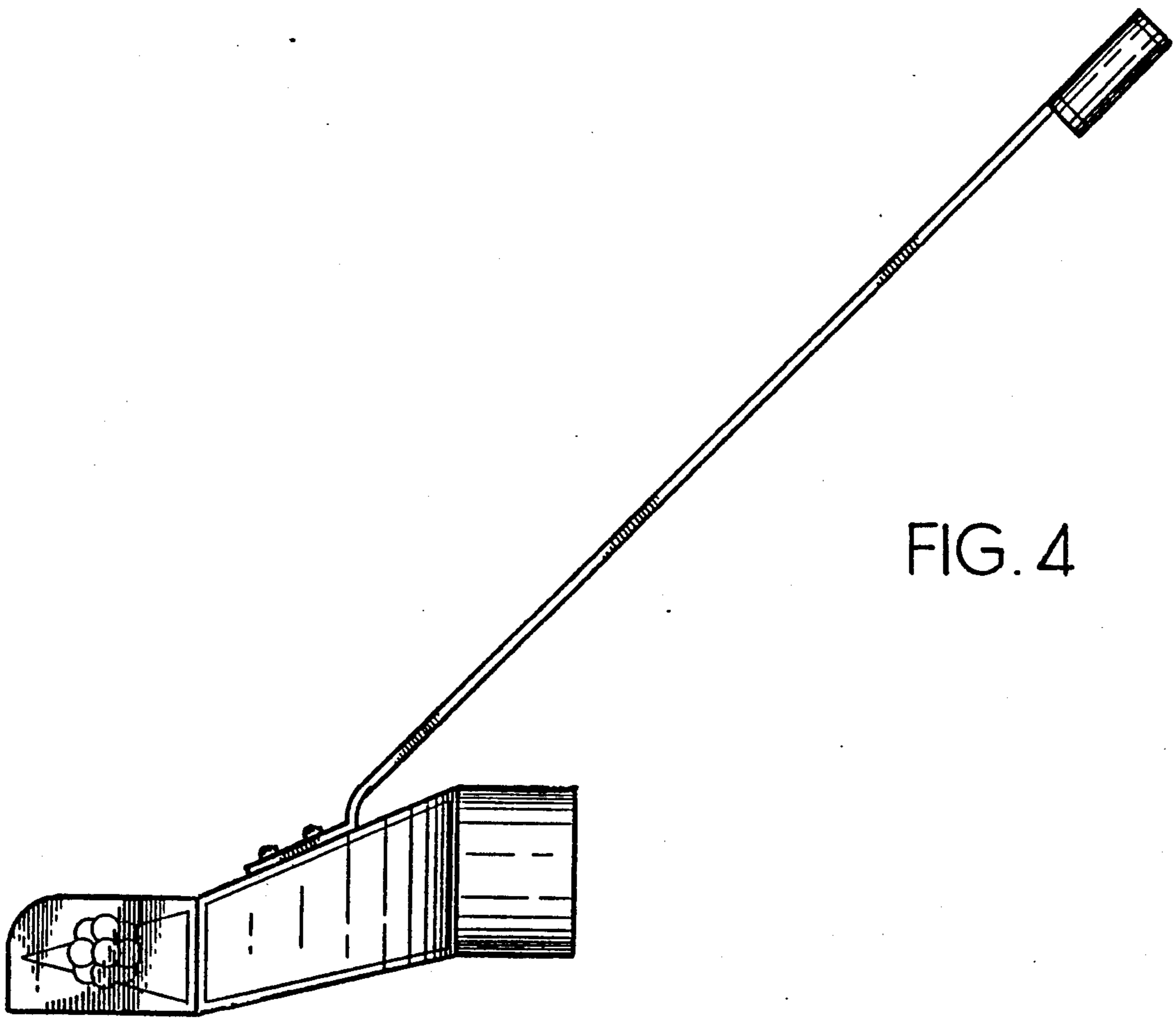


FIG. 4

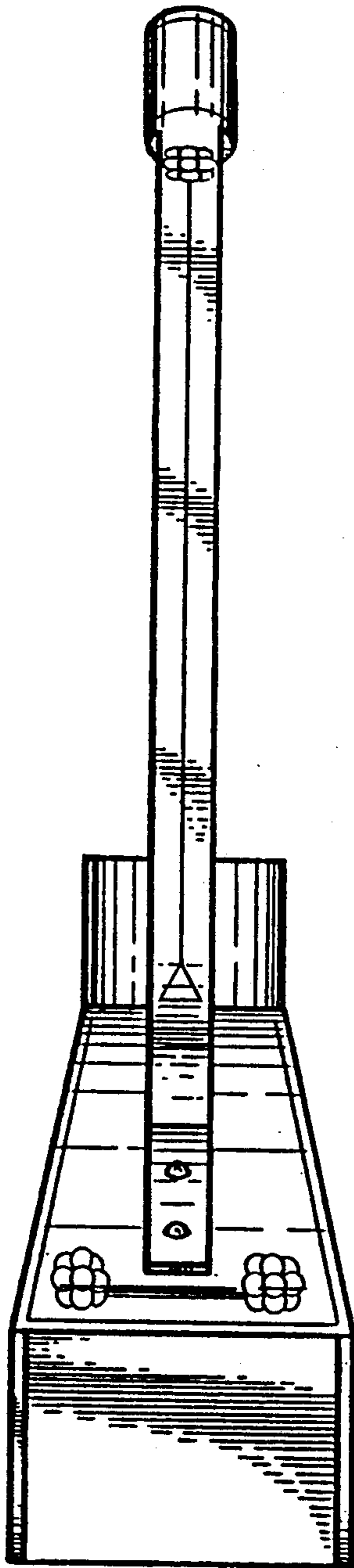


FIG. 5

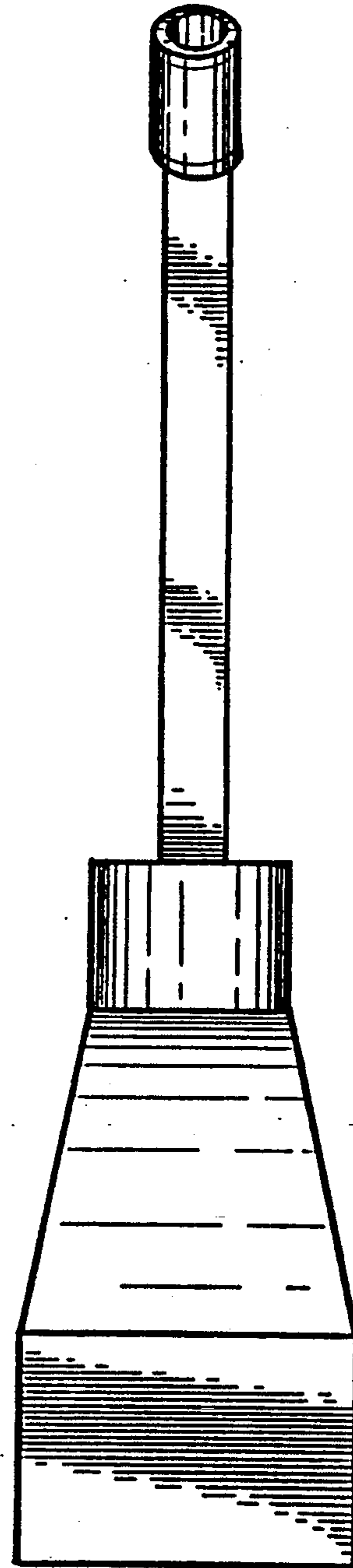


FIG. 6