



US00D333880S

United States Patent [19]

[11] Patent Number: Des. 333,880

Huang

[45] Date of Patent: ** Mar. 9, 1993

[54] **ADJUSTABLE LAMP**

[76] Inventor: **Soddy Huang**, No. 6, Alley 9, Lane 77, Hsien Hsing St., Shulin, Taipei Hsien, Taiwan

[**] Term: **14 Years**

[21] Appl. No.: **699,552**

[22] Filed: **May 14, 1991**

[52] U.S. Cl. **D26/65**

[58] Field of Search **D26/60-66;**
362/401, 402, 413, 418, 419, 427, 428, 269, 275,
287

[56] **References Cited**

U.S. PATENT DOCUMENTS

D. 313,083	12/1990	Huang	D26/65
D. 318,340	7/1991	Huang	D26/65
D. 322,863	12/1991	Chin-Song	D26/65
4,892,278	1/1990	Huang	362/427 X

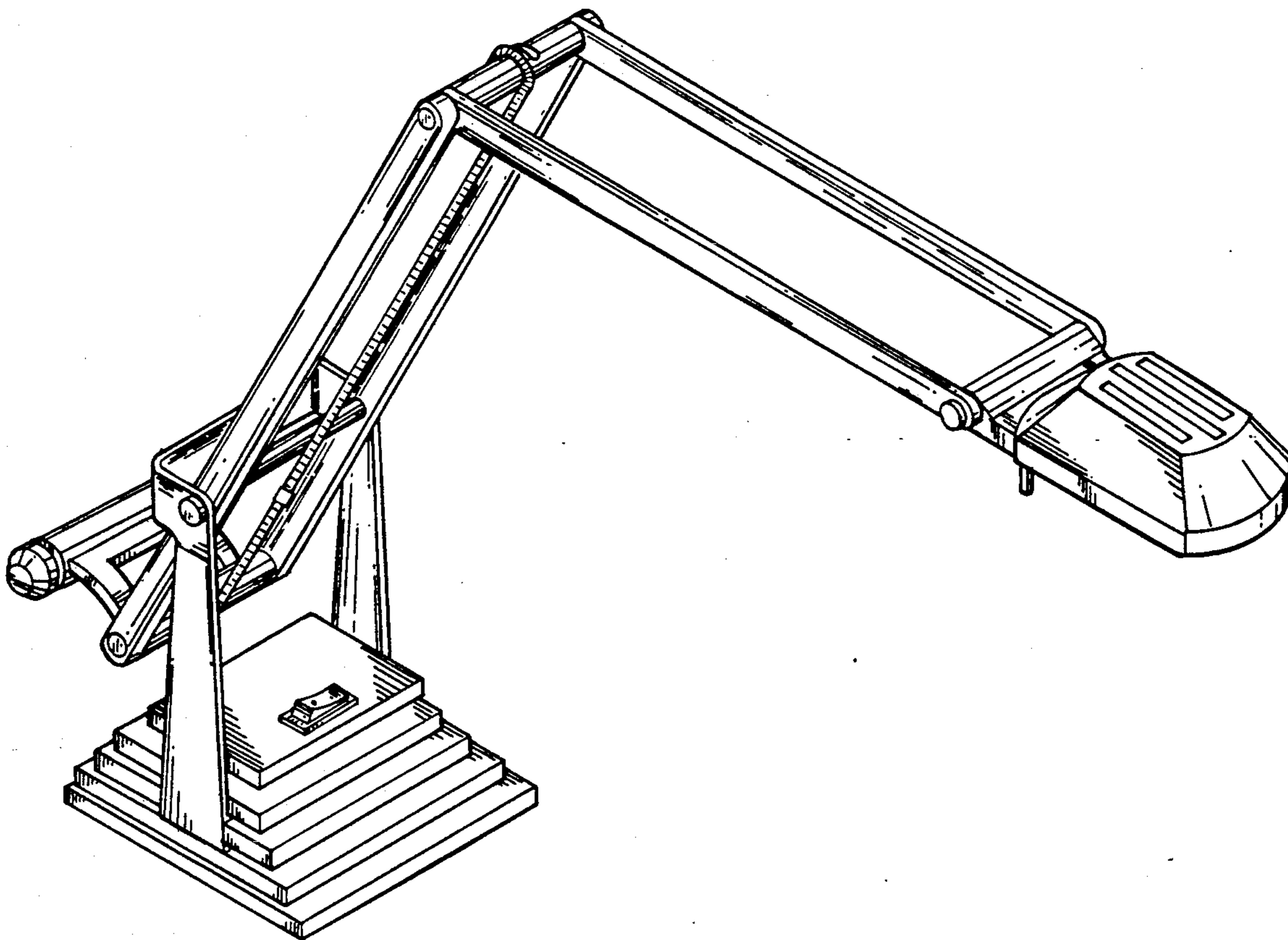
Primary Examiner—Susan J. Lucas
Attorney, Agent, or Firm—Lowe, Price, LeBlanc & Becker

[57] **CLAIM**

The ornamental design for an adjustable lamp, as shown and described.

DESCRIPTION

FIG. 1 is a front perspective view of an adjustable lamp showing my new design;
FIG. 2 is a front elevational view thereof on a reduced scale;
FIG. 3 is a rear elevational view thereof on a reduced scale;
FIG. 4 is a left side elevational view thereof on a reduced scale;
FIG. 5 is a right side elevational view thereof on a reduced scale;
FIG. 6 is a top plan view thereof on a reduced scale; and,
FIG. 7 is a bottom plan view thereof on a reduced scale.



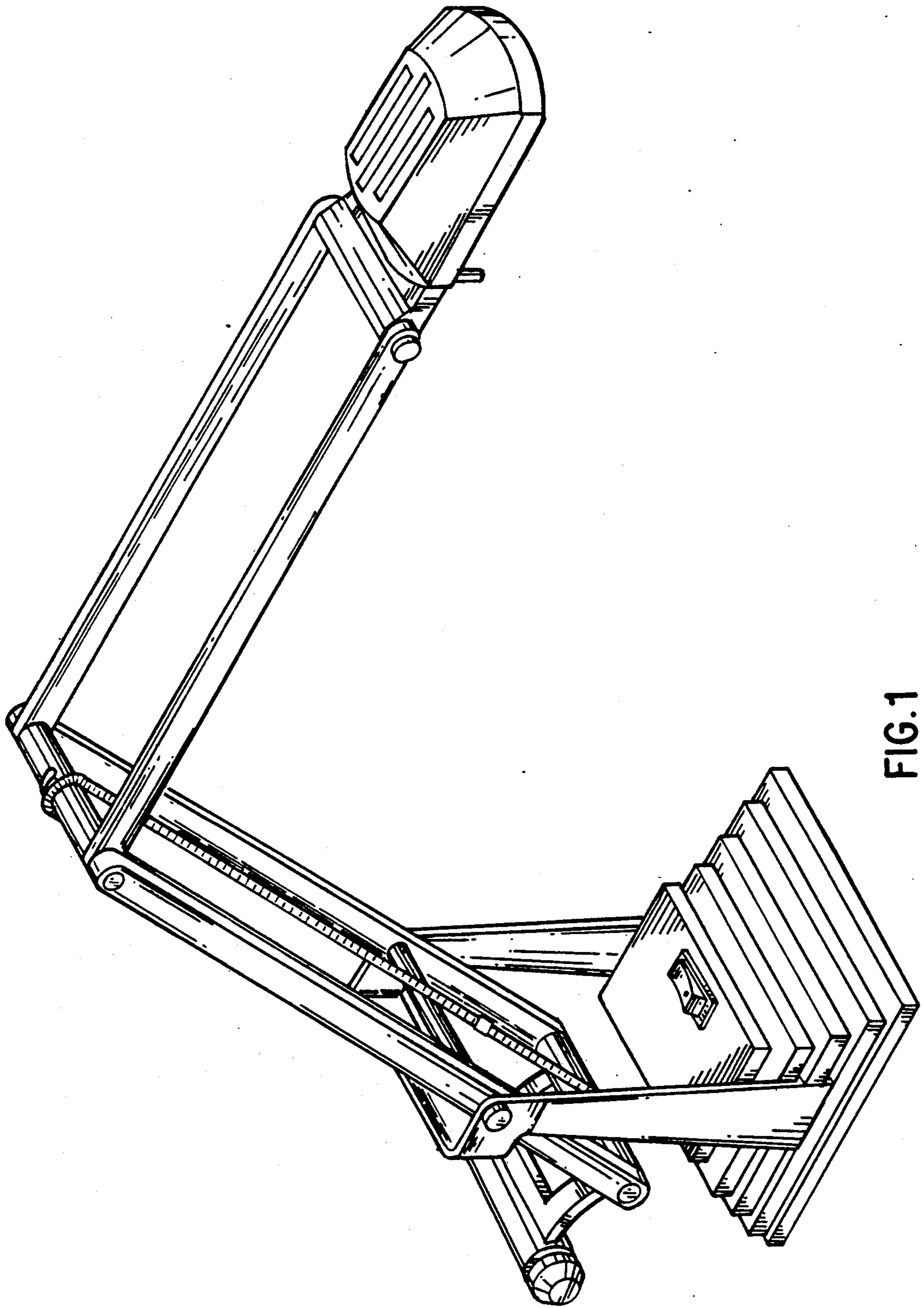


FIG. 1

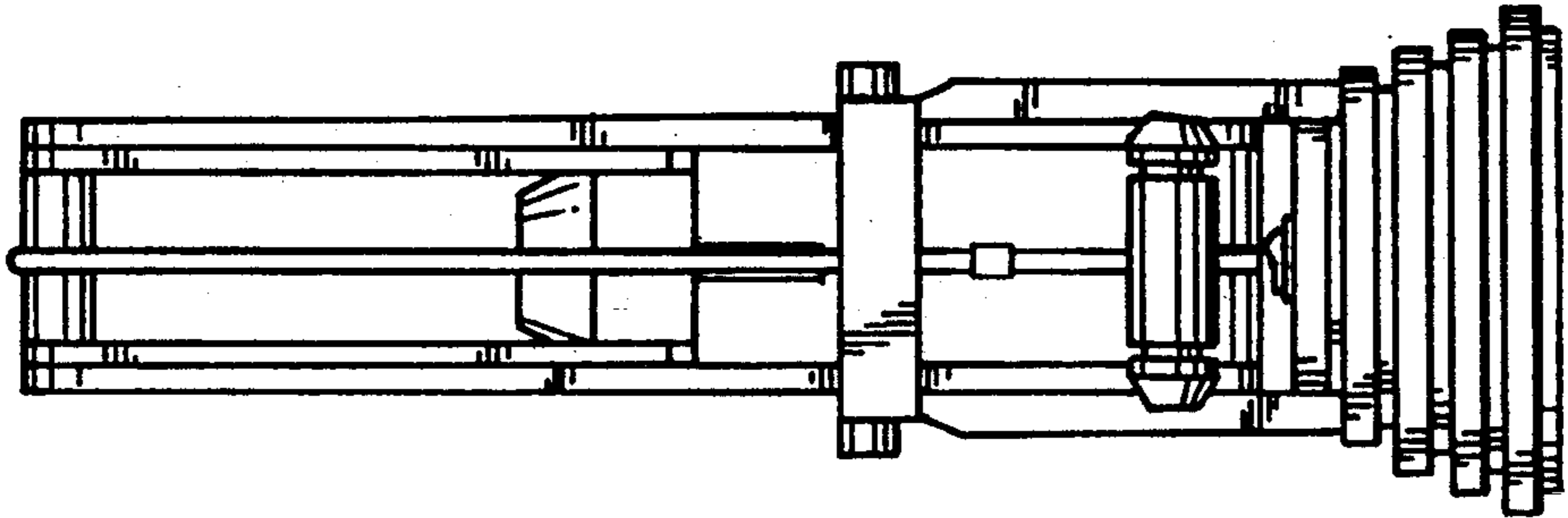


FIG. 3

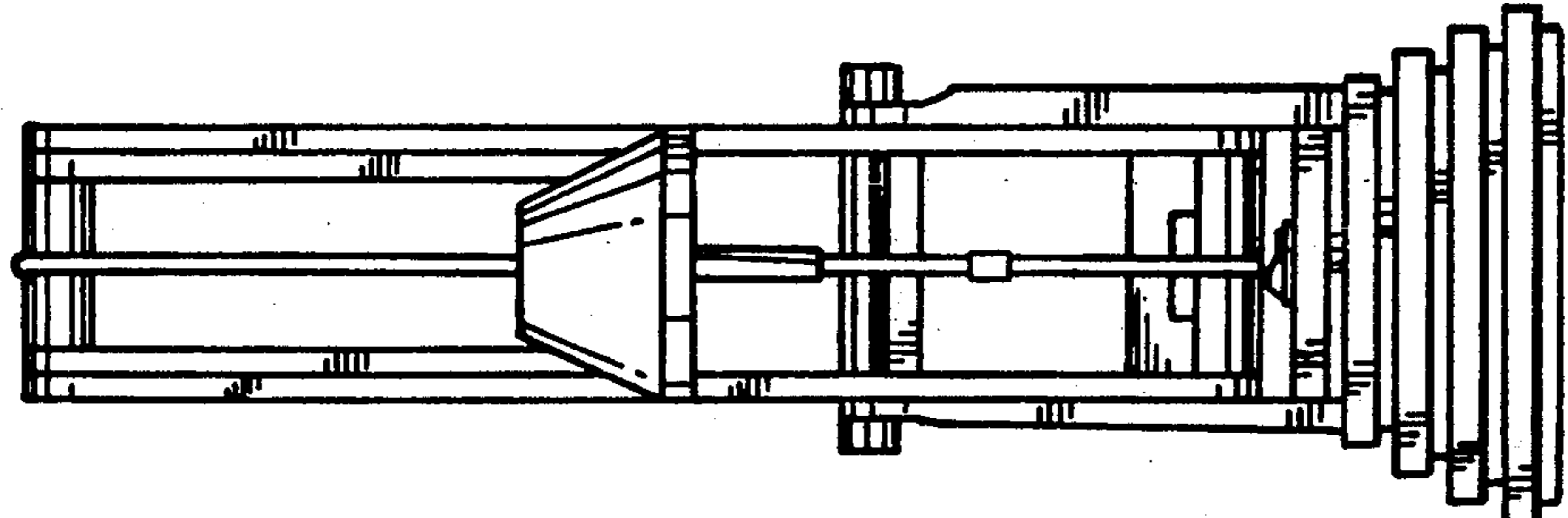


FIG. 2

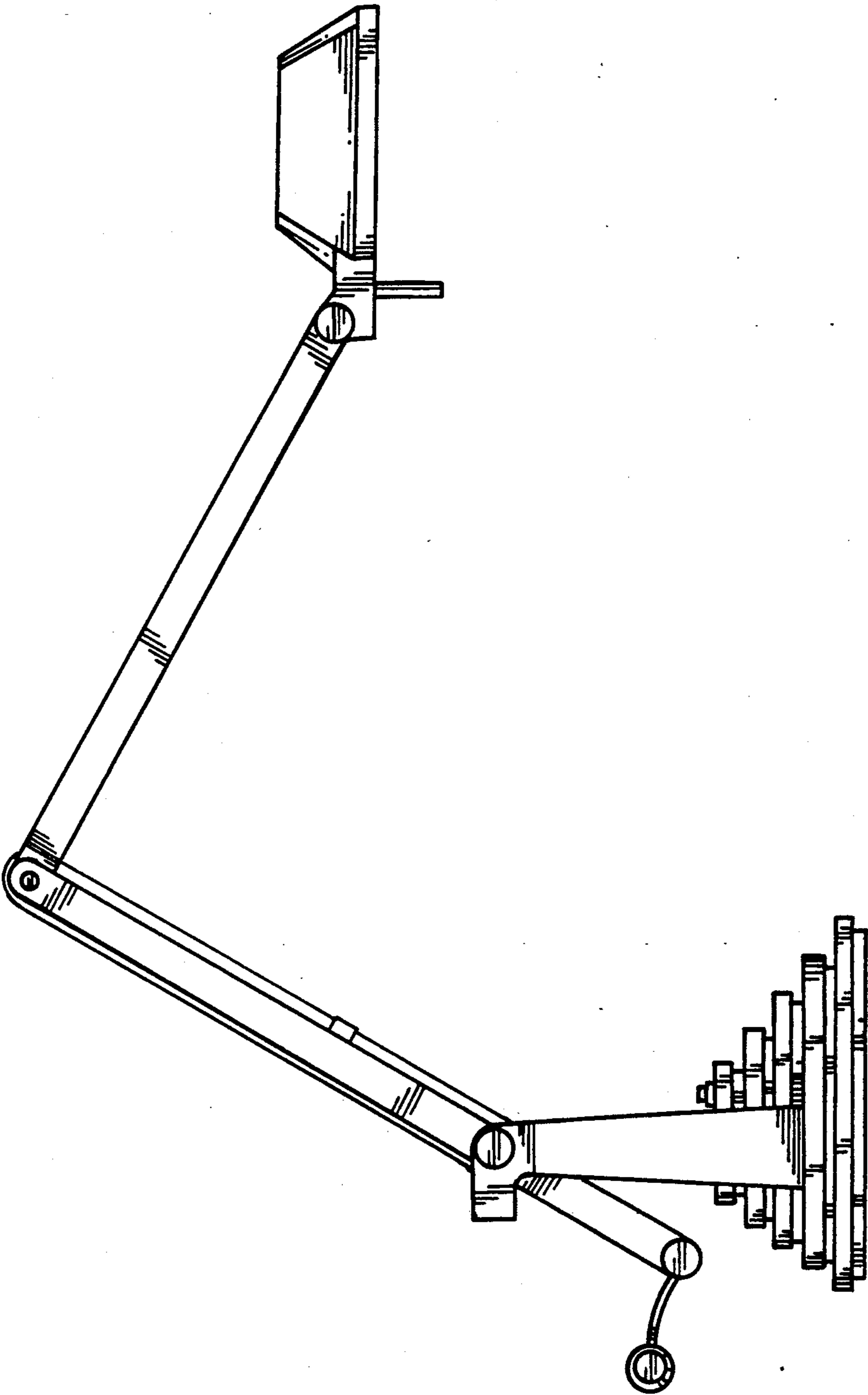


FIG. 4

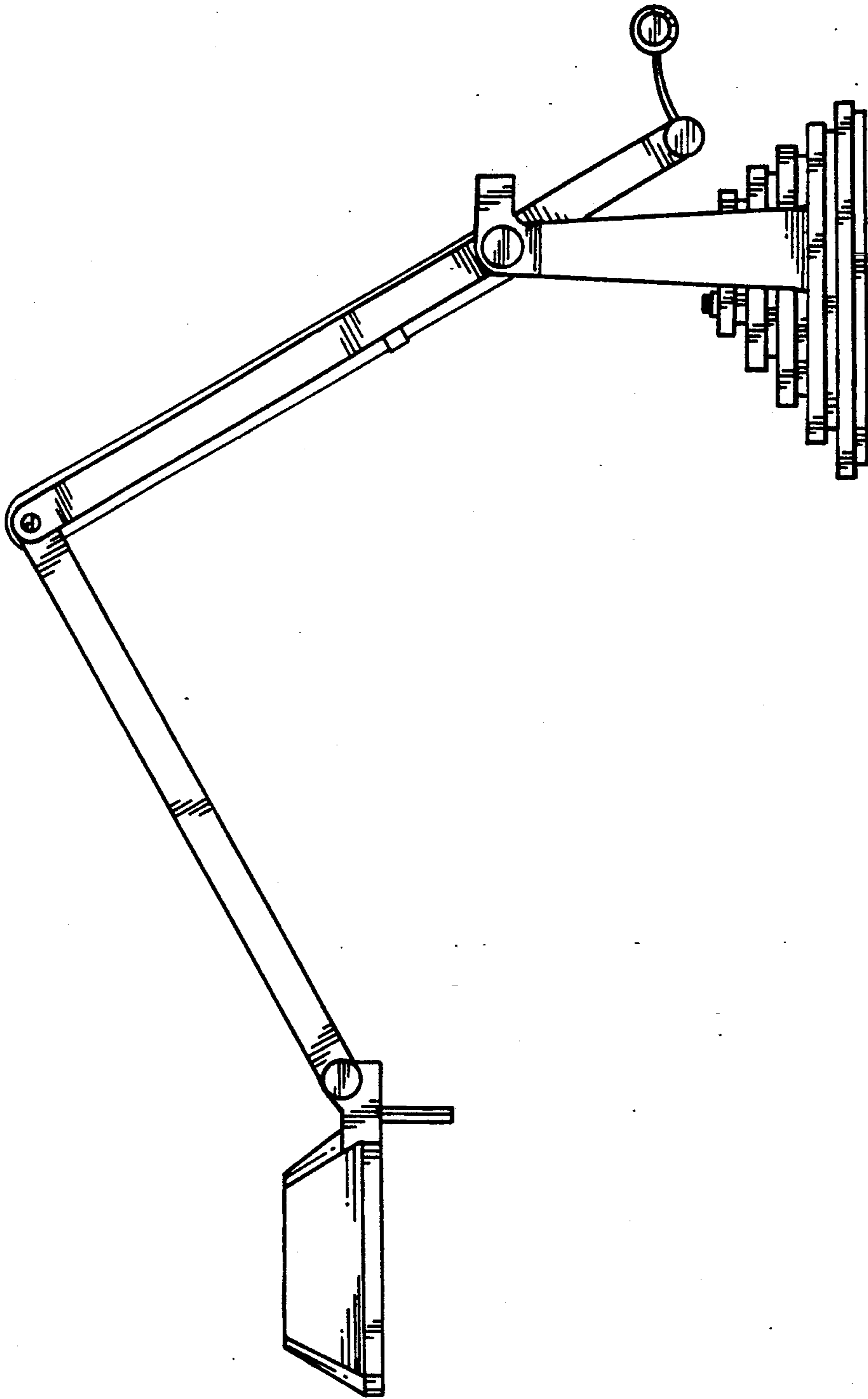


FIG. 5

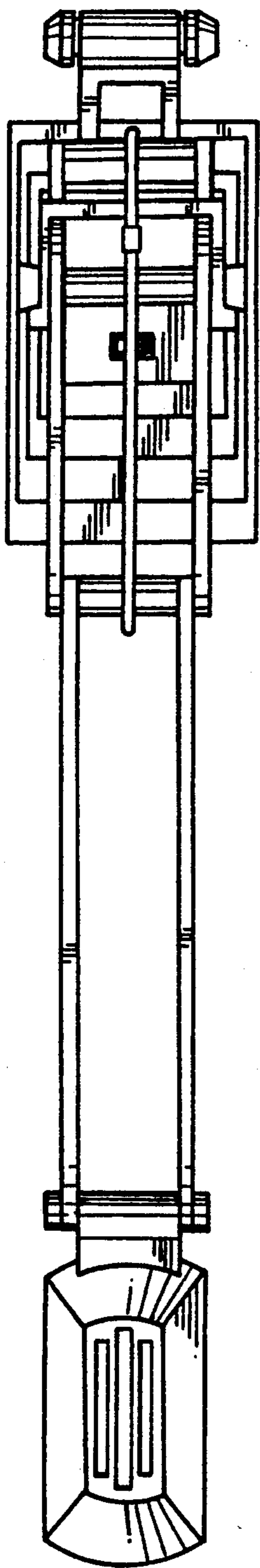


FIG. 6

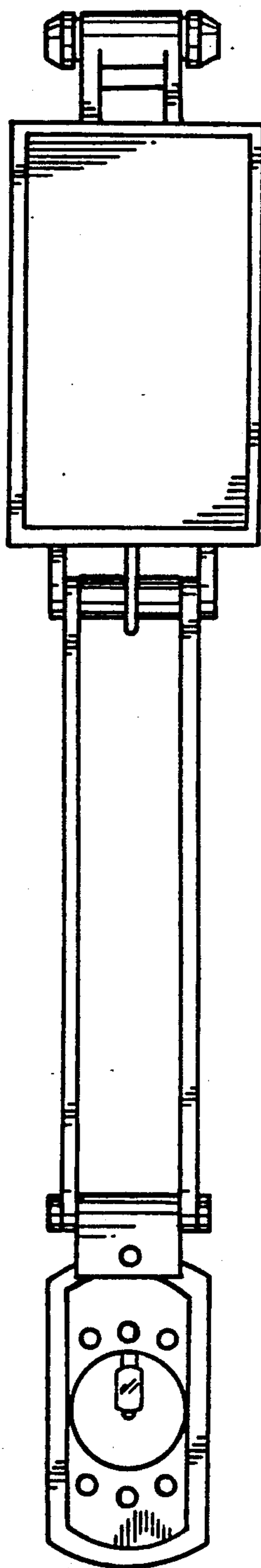


FIG. 7