



US00D333876S

United States Patent [19]

Cole

[11] Patent Number: **Des. 333,876**

[45] Date of Patent: **** Mar. 9, 1993**

- [54] WINDOW COMPONENT EXTRUSION
- [75] Inventor: Douglas L. Cole, Seattle, Wash.
- [73] Assignee: Mikron Industries, Kent, Wash.
- [**] Term: 14 Years
- [21] Appl. No.: 673,211
- [22] Filed: Mar. 20, 1991
- [52] U.S. Cl. D25/124
- [58] Field of Search D25/52, 119-125;
49/75, 501, 504, 404, 413, 419, DIG. 1; 52/202,
731, 735

- D. 307,943 5/1990 Westphal et al. D25/124
- D. 311,587 10/1990 Slocomb, Jr. D25/124
- 4,630,400 12/1986 Asieh 49/504

Primary Examiner—Louis S. Zarfaz
Assistant Examiner—Doris Clark
Attorney, Agent, or Firm—Seed and Berry

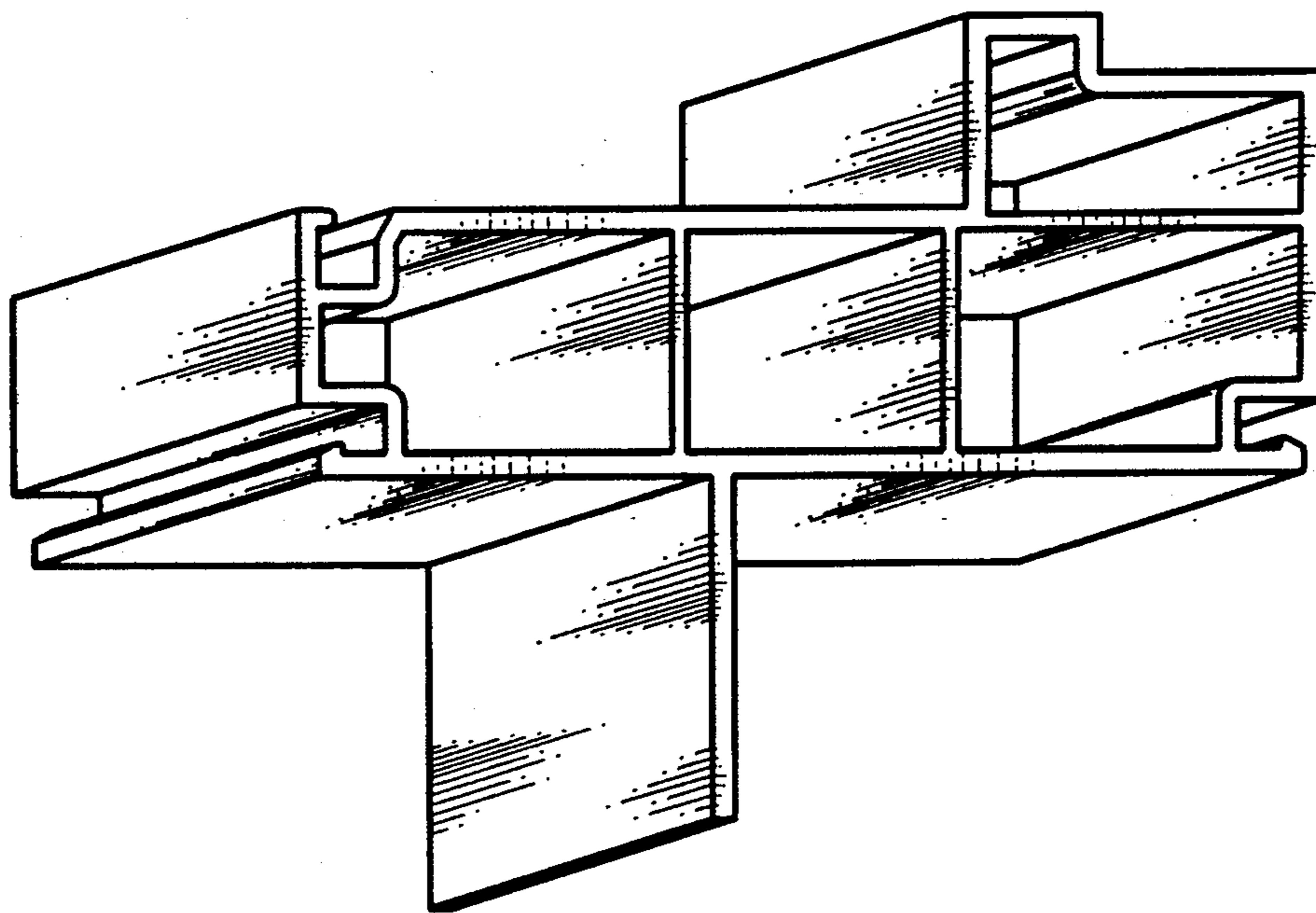
[57] CLAIM

The ornamental design for a window component extrusion, as shown and described.

DESCRIPTION

FIG. 1 is a bottom, right, perspective view of a window component extrusion showing my new design, the window component extrusion being of indefinite length; and,
 FIG. 2 is a top, left, perspective view thereof.

- [56] **References Cited**
U.S. PATENT DOCUMENTS
 D. 299,970 2/1989 Hardy D25/124



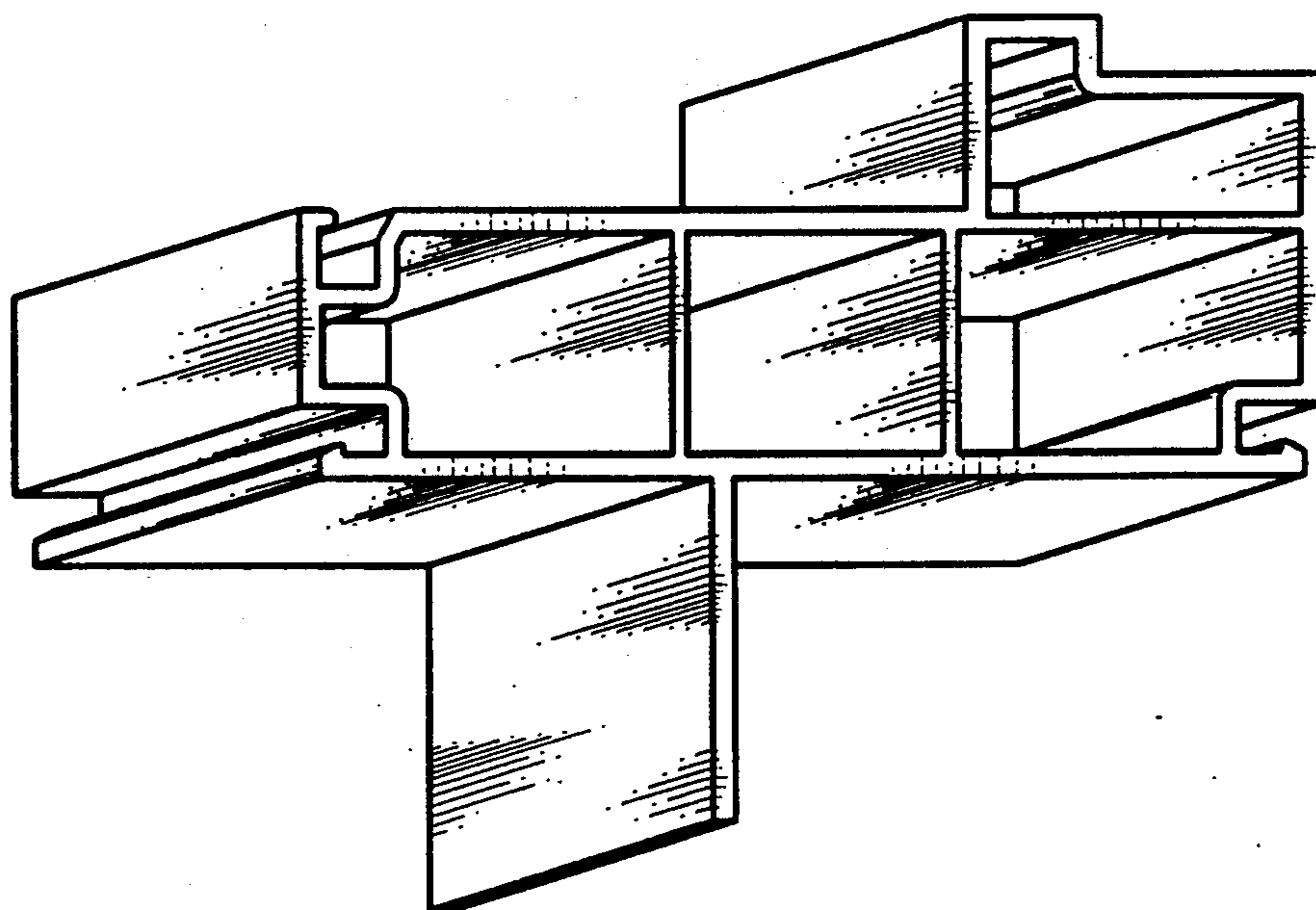


FIG. 1

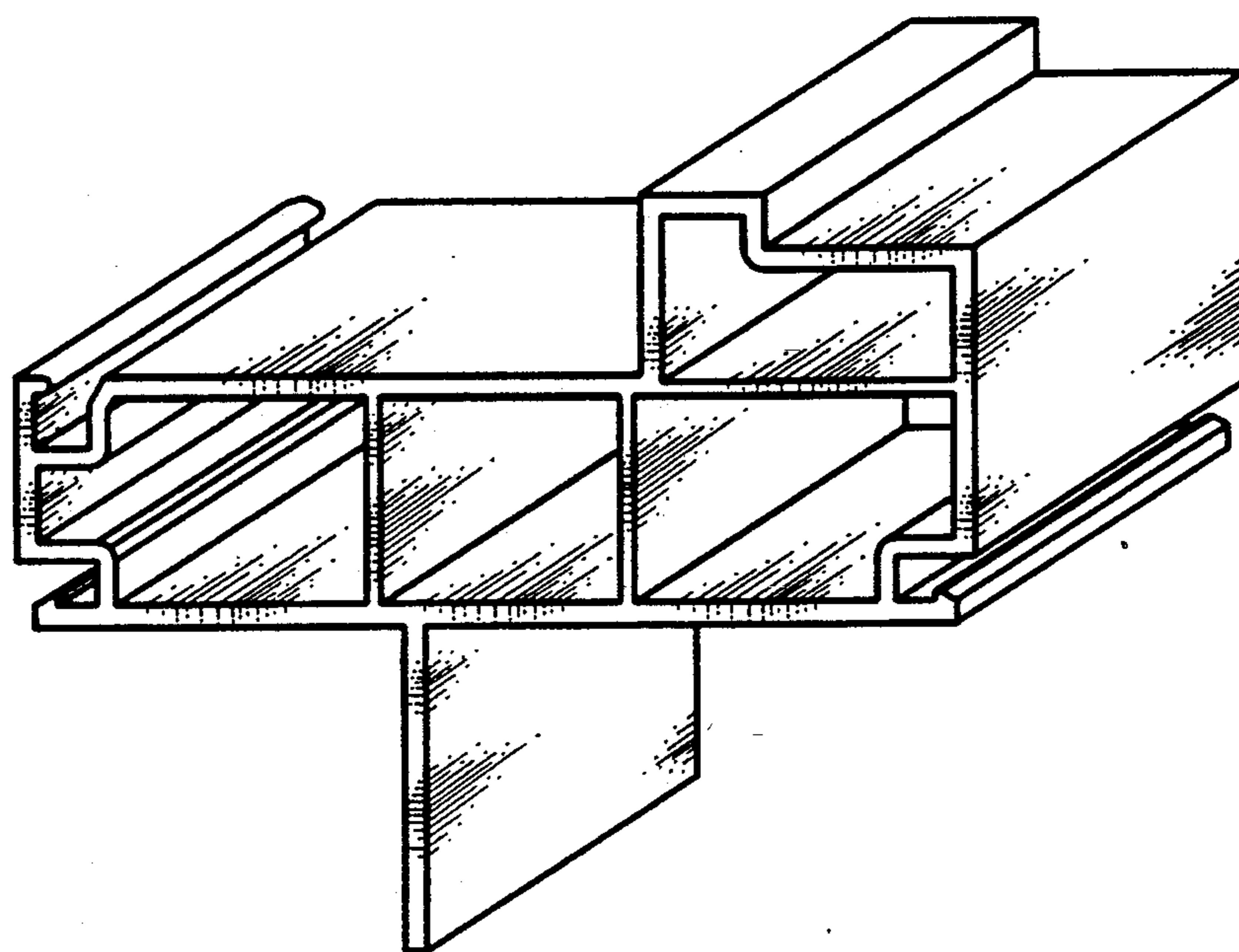


FIG. 2