



US00D333867S

United States Patent [19]

[11] Patent Number: **Des. 333,867**

Markwardt

[45] Date of Patent: **** Mar. 9, 1993**

[54] COMBINED ELECTRIC CEILING FAN AND LIGHT

[75] Inventor: **Michael A. Markwardt**, Fort Worth, Tex.

[73] Assignee: **Encon Industries, Inc.**, Fort Worth, Tex.

[**] Term: **14 Years**

[21] Appl. No.: **894,996**

[22] Filed: **Jun. 8, 1992**

[52] U.S. Cl. **D23/377; D23/379; D23/385**

[58] Field of Search **D23/377, 385, 379, 413; 392/364; 416/5; 362/96, 294**

[56] References Cited

U.S. PATENT DOCUMENTS

D. 265,502	7/1982	Kearnes	416/5
D. 328,785	8/1992	Markwardt	D23/377
905,089	11/1908	McBerty	416/5
4,494,055	1/1985	Bitting	416/5

OTHER PUBLICATIONS

Homestead Ceiling Fans Cat., p. 6, Fans 1-4.

Primary Examiner—Wallace R. Burke

Assistant Examiner—Lisa Lichtenstein

Attorney, Agent, or Firm—Laney, Dougherty, Hessin & Beavers

[57] CLAIM

The ornamental design for a combined electric ceiling fan and light, as shown and described.

DESCRIPTION

FIG. 1 is a bottom and front perspective view of a combined electric ceiling fan and light showing our new design;

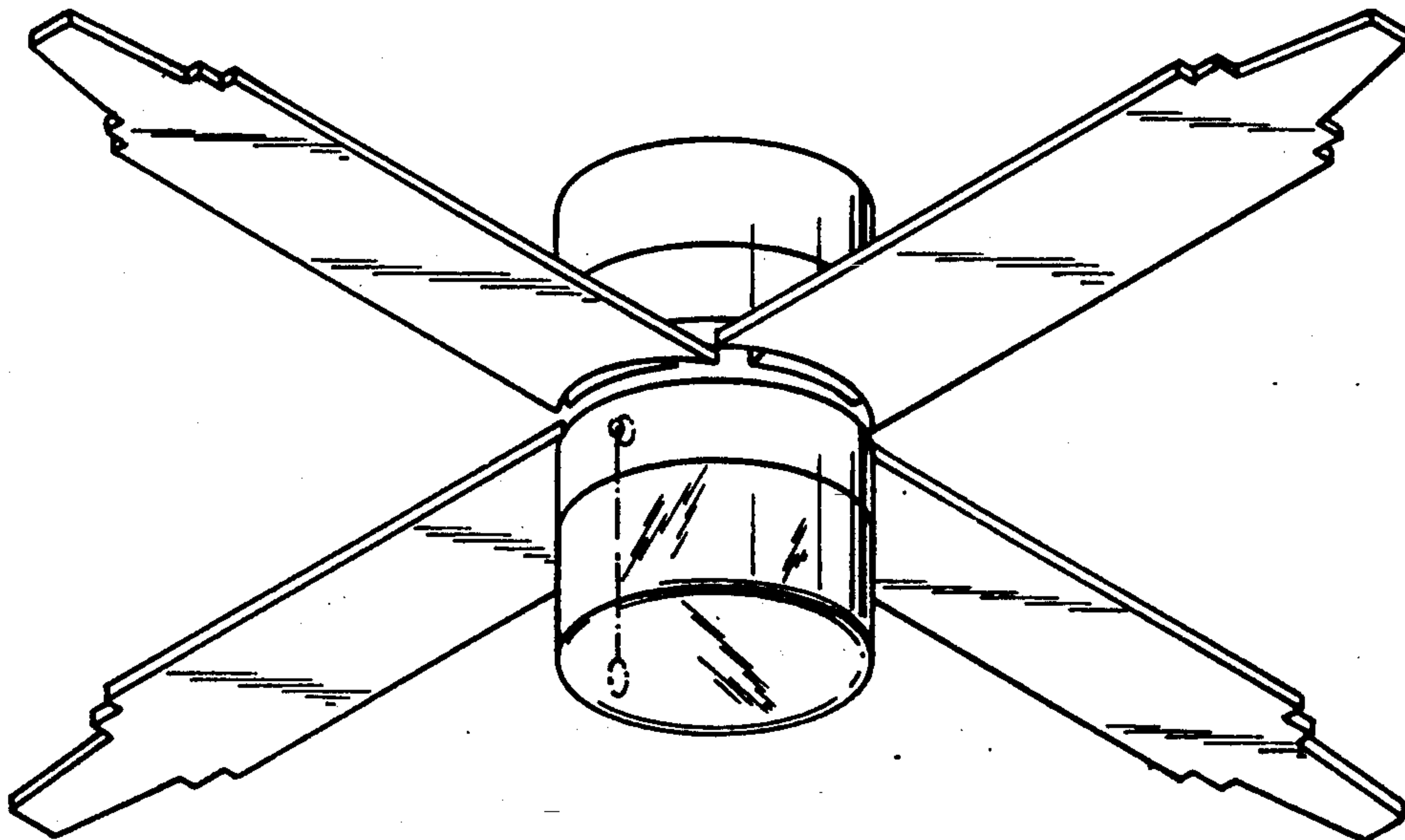
FIG. 2 is a front elevational view thereof;

FIG. 3 is a rear elevational view thereof;

FIG. 4 is a top plan view thereof; and,

FIG. 5 is a bottom plan view thereof.

The broken line showing of environmental structure in FIGS. 1-3 and 5 is for illustrative purposes only and forms no part of the claimed design.



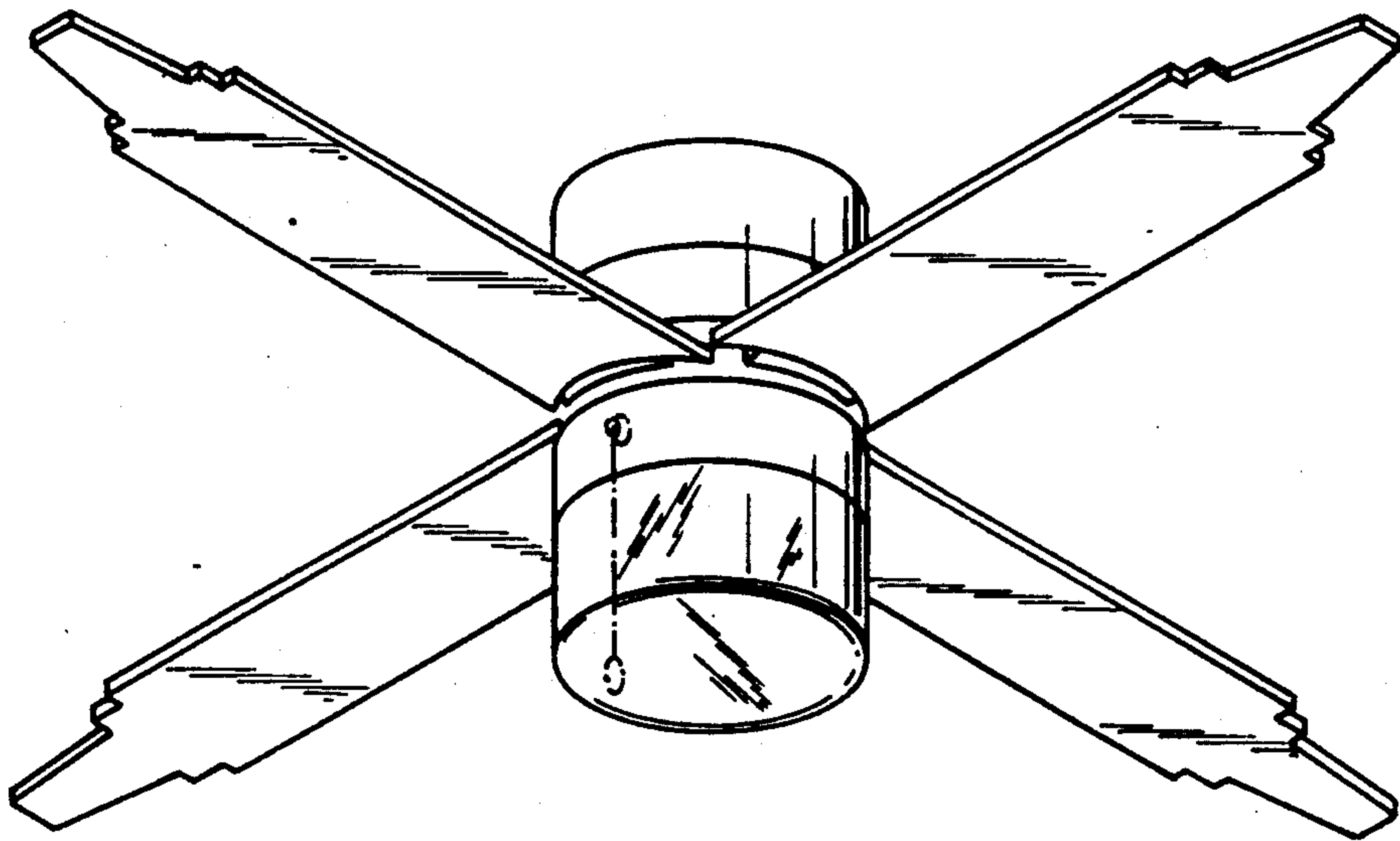


FIG. 1

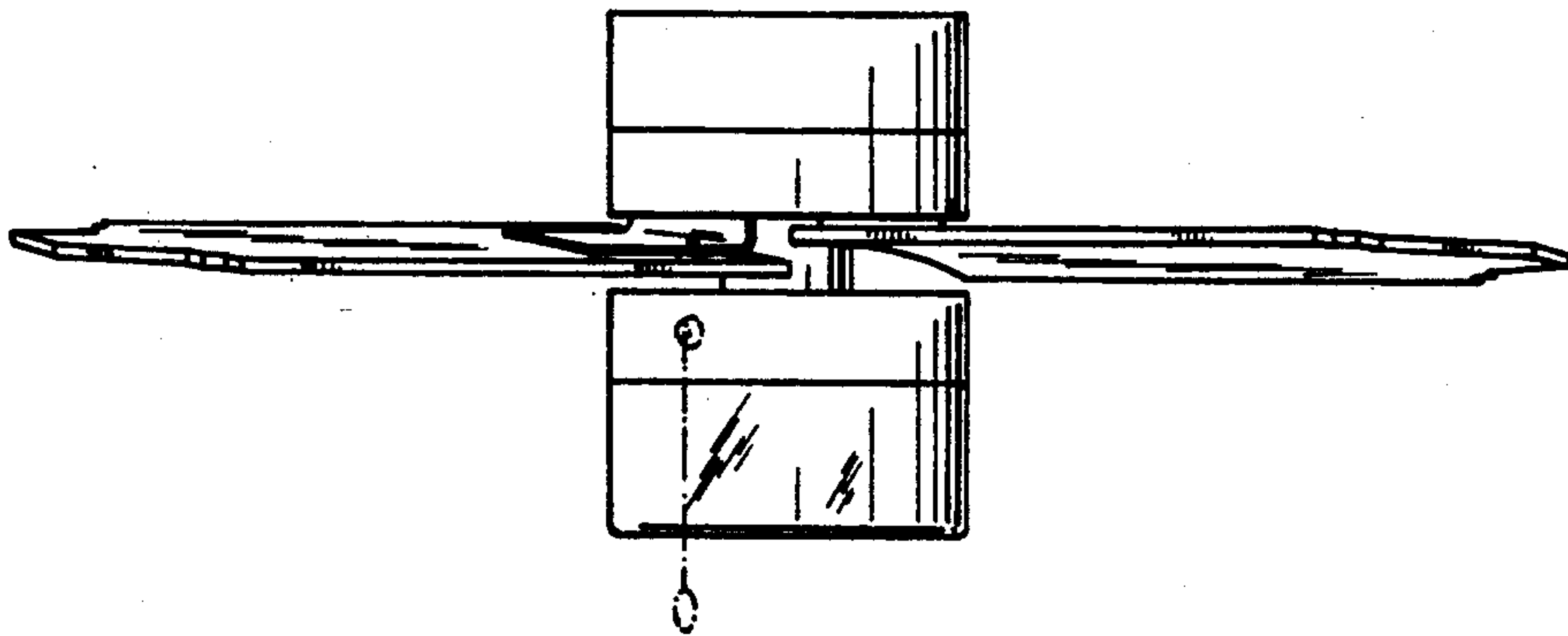


FIG. 2

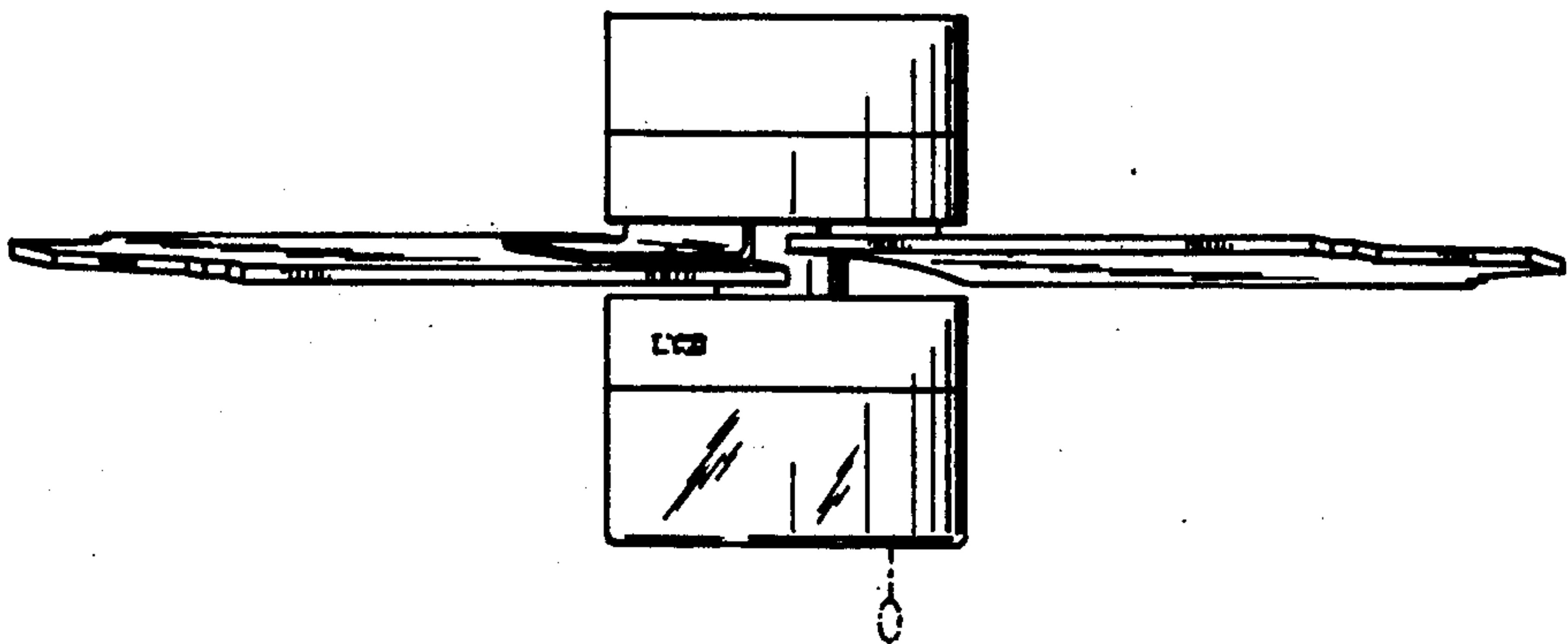


FIG. 3

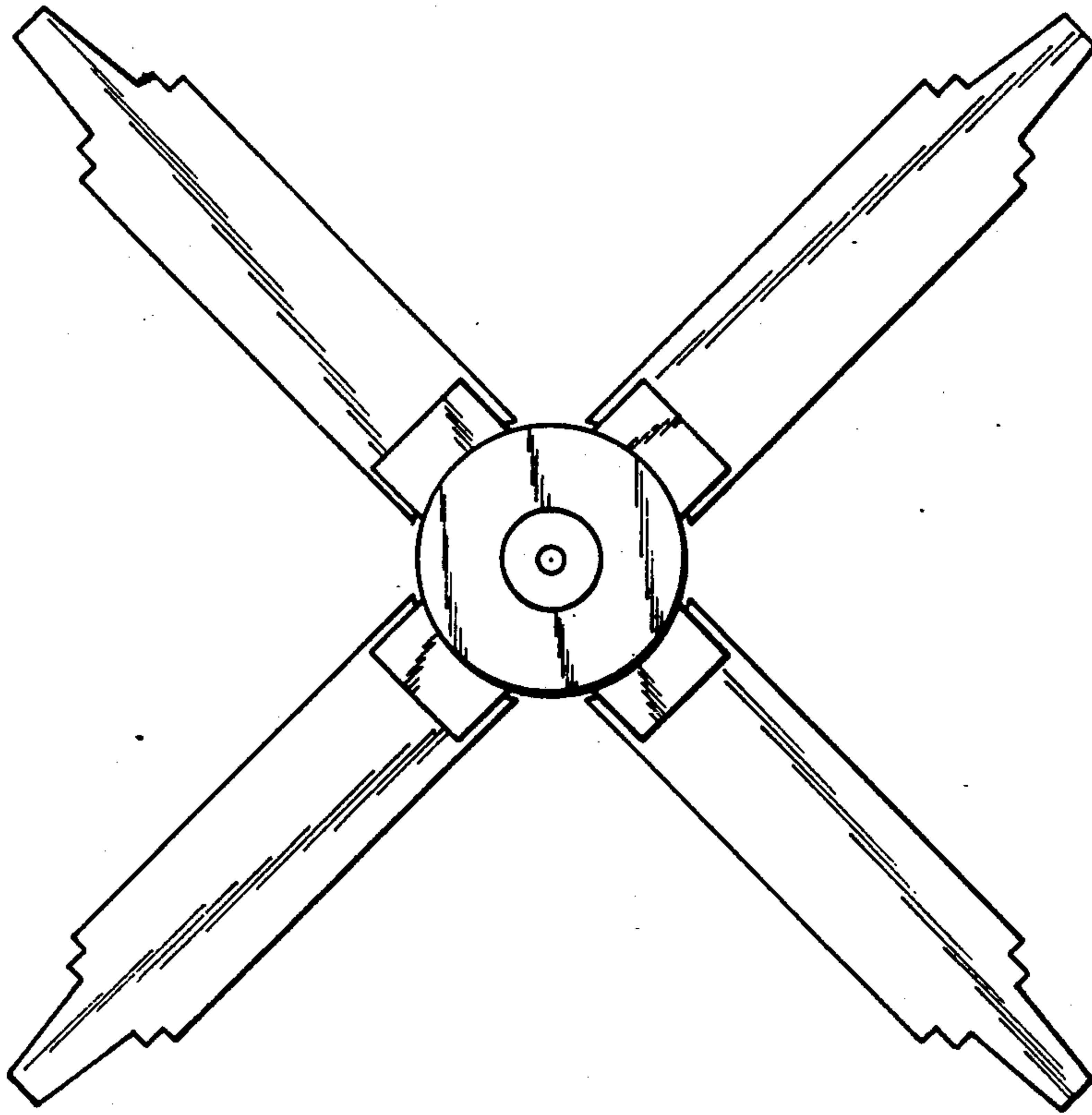


FIG. 4

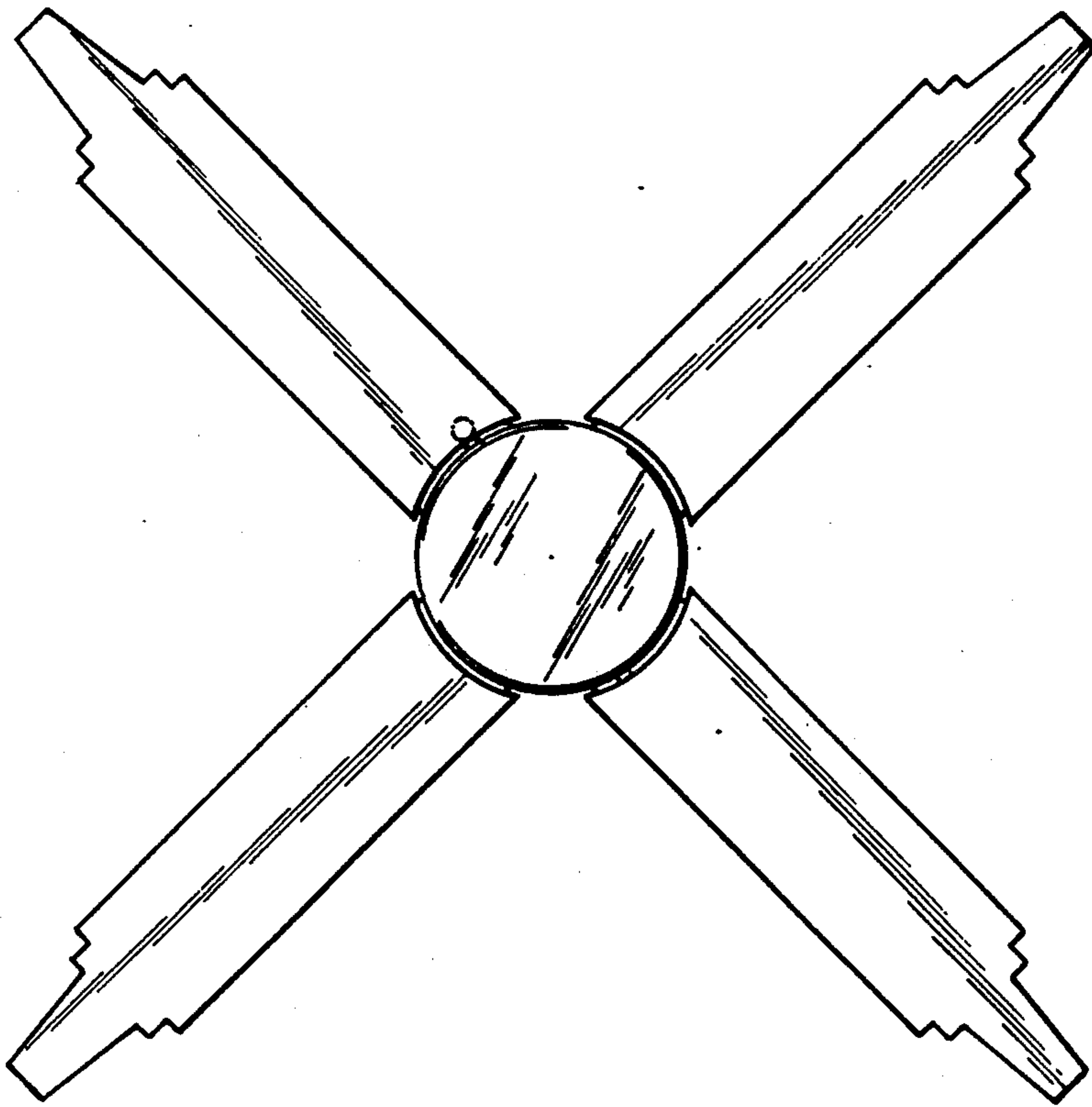


FIG. 5